

US00D765164S

(12) **United States Design Patent** (10) **Patent No.:** **US D765,164 S**  
**Park et al.** (45) **Date of Patent:** **\*\* Aug. 30, 2016**

(54) **PRINTER DEVELOPER**

(71) Applicant: **Samsung Electronics Co., Ltd.**,  
Suwon-si, Gyeonggi-do (KR)

(72) Inventors: **Seung-Chan Park**, Hwaseong-si (KR);  
**Sang-Hoon Lee**, Suwon-si (KR);  
**Ji-Won Moon**, Anyang-si (KR);  
**Dong-Cheol Ahn**, Yongin-si (KR);  
**Ho-Jin Jang**, Suwon-si (KR); **Yong-Il Moon**, Seoul (KR); **Dong-Geun Lee**,  
Busan (KR); **Yong-Kwan Cho**, Incheon  
(KR)

(73) Assignee: **SAMSUNG ELECTRONICS CO., LTD.** (KR)

(\*\*) Term: **14 Years**

(21) Appl. No.: **29/512,078**

(22) Filed: **Dec. 16, 2014**

(30) **Foreign Application Priority Data**

Jun. 17, 2014 (KR) ..... 30-2014-0029526

(51) **LOC (10) Cl.** ..... **15-07**

(52) **U.S. Cl.**  
USPC ..... **D18/43**

(58) **Field of Classification Search**  
USPC ..... D18/18, 40, 43, 56, 99  
CPC ..... G03G 15/0832; G03G 15/0834;  
G03G 15/0836; G03G 15/0837; G03G  
15/0867; G03G 15/0868; G03G 15/0872;  
G03G 15/0877; G03G 15/0898; G03G 15/50;  
G03G 15/5016; G03G 15/60; G03G 15/65  
See application file for complete search history.

(56) **References Cited**

U.S. PATENT DOCUMENTS

D632,731 S \* 2/2011 Abe ..... D18/43  
D633,137 S \* 2/2011 Chadani ..... D18/43  
D674,007 S \* 1/2013 Ushikubo ..... D18/43  
D733,794 S \* 7/2015 Oda ..... D18/43  
D749,166 S \* 2/2016 Goto ..... D18/43  
D750,702 S \* 3/2016 Ooyoshi ..... D18/43  
D752,136 S \* 3/2016 Koido ..... D18/43

\* cited by examiner

*Primary Examiner* — Daniel Bui

*Assistant Examiner* — Khawaja Anwar

(74) *Attorney, Agent, or Firm* — Cantor Colburn LLP

(57) **CLAIM**

We claim, the ornamental design for a printer developer, as shown and described.

**DESCRIPTION**

FIG. 1 is a front perspective view of a printer developer showing our new design;

FIG. 2 is a front view thereof;

FIG. 3 is a rear view thereof;

FIG. 4 is a left-side view thereof;

FIG. 5 is a right-side view thereof;

FIG. 6 is a top view thereof;

FIG. 7 is a bottom view thereof;

FIG. 8 is another front perspective view thereof; and,

FIG. 9 is a bottom perspective view thereof.

The broken lines illustrating portions of the printer developer are for environmental purposes only and form no part of the claimed design.

**1 Claim, 9 Drawing Sheets**

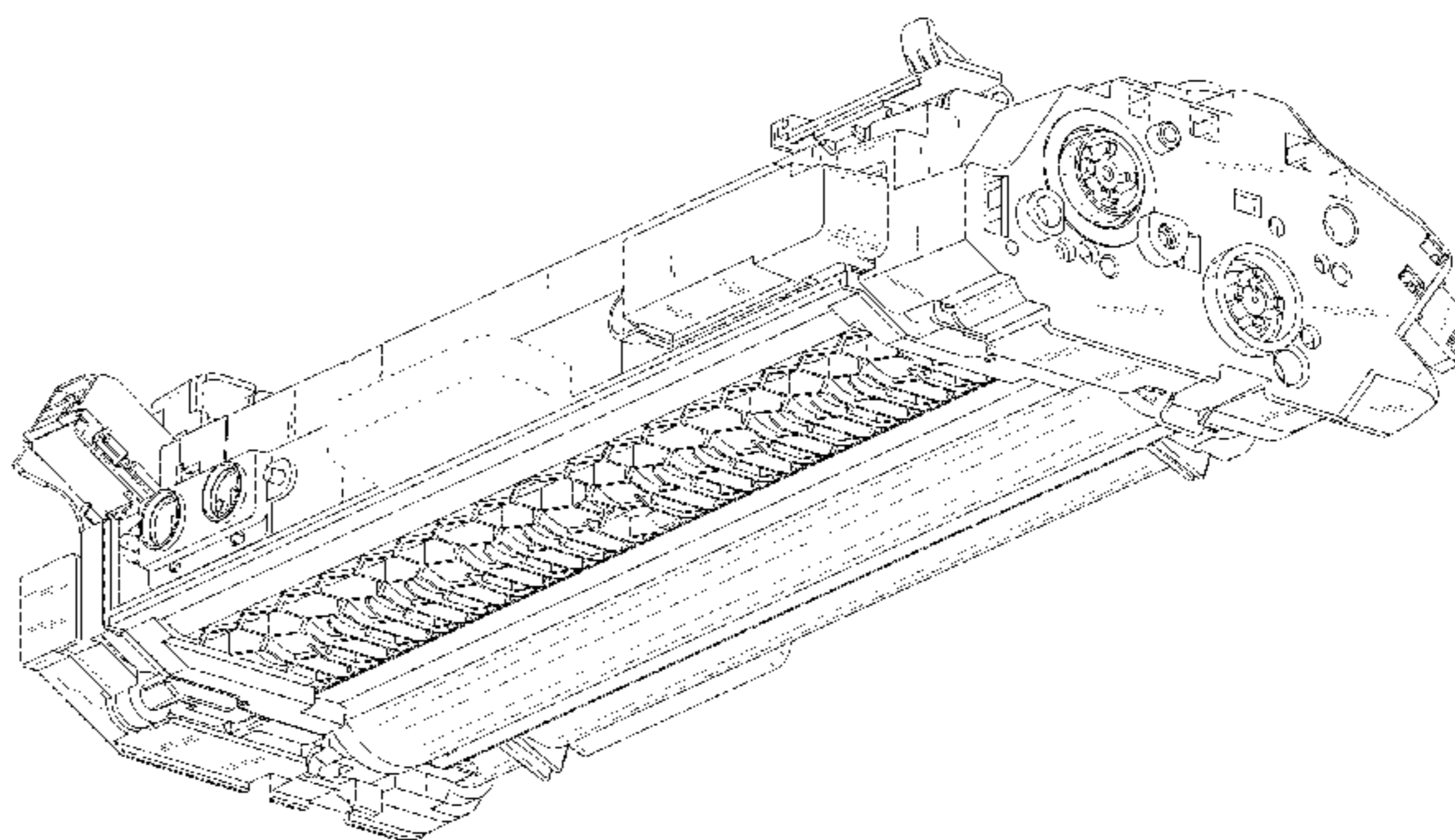
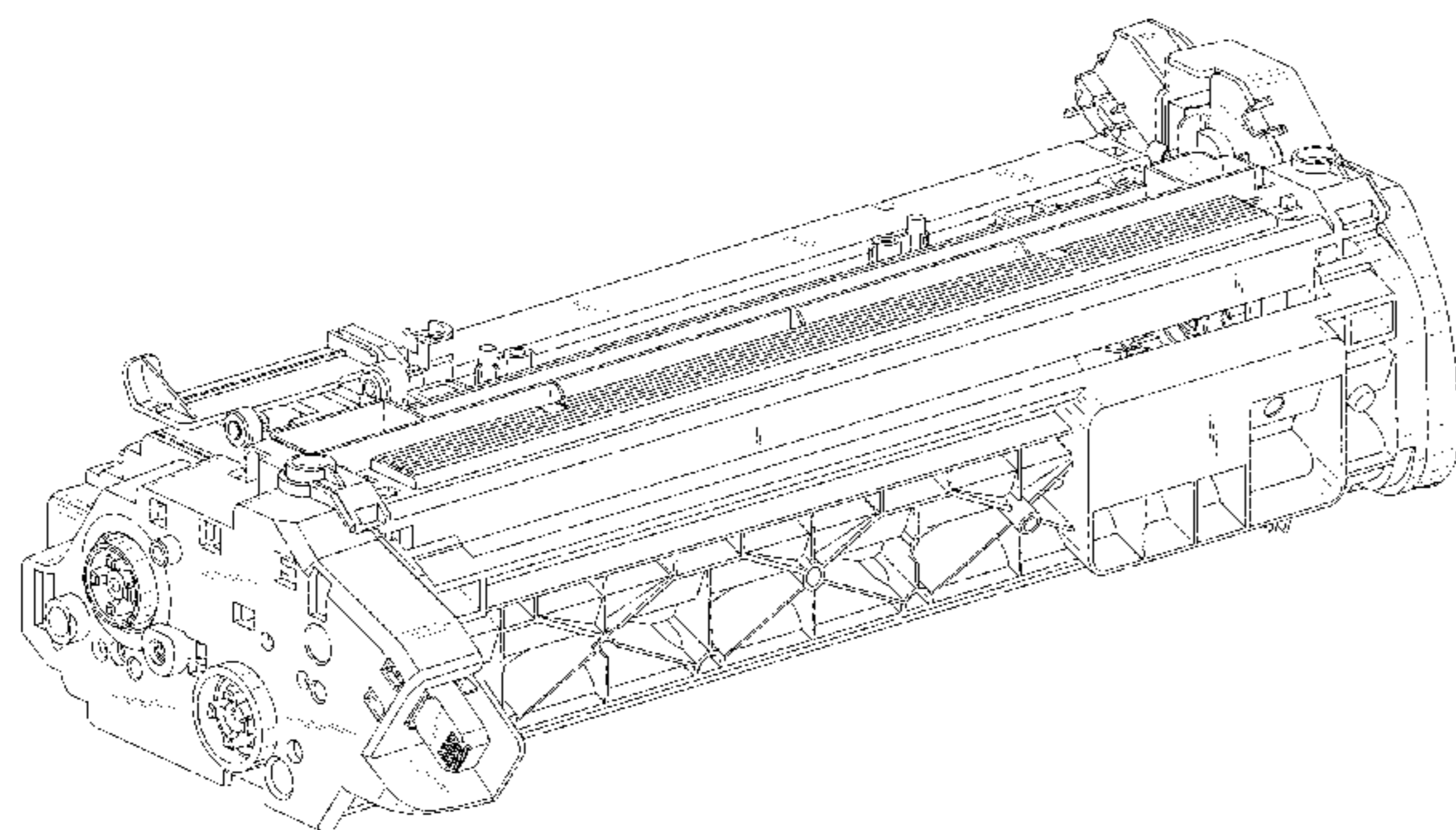


FIG.1

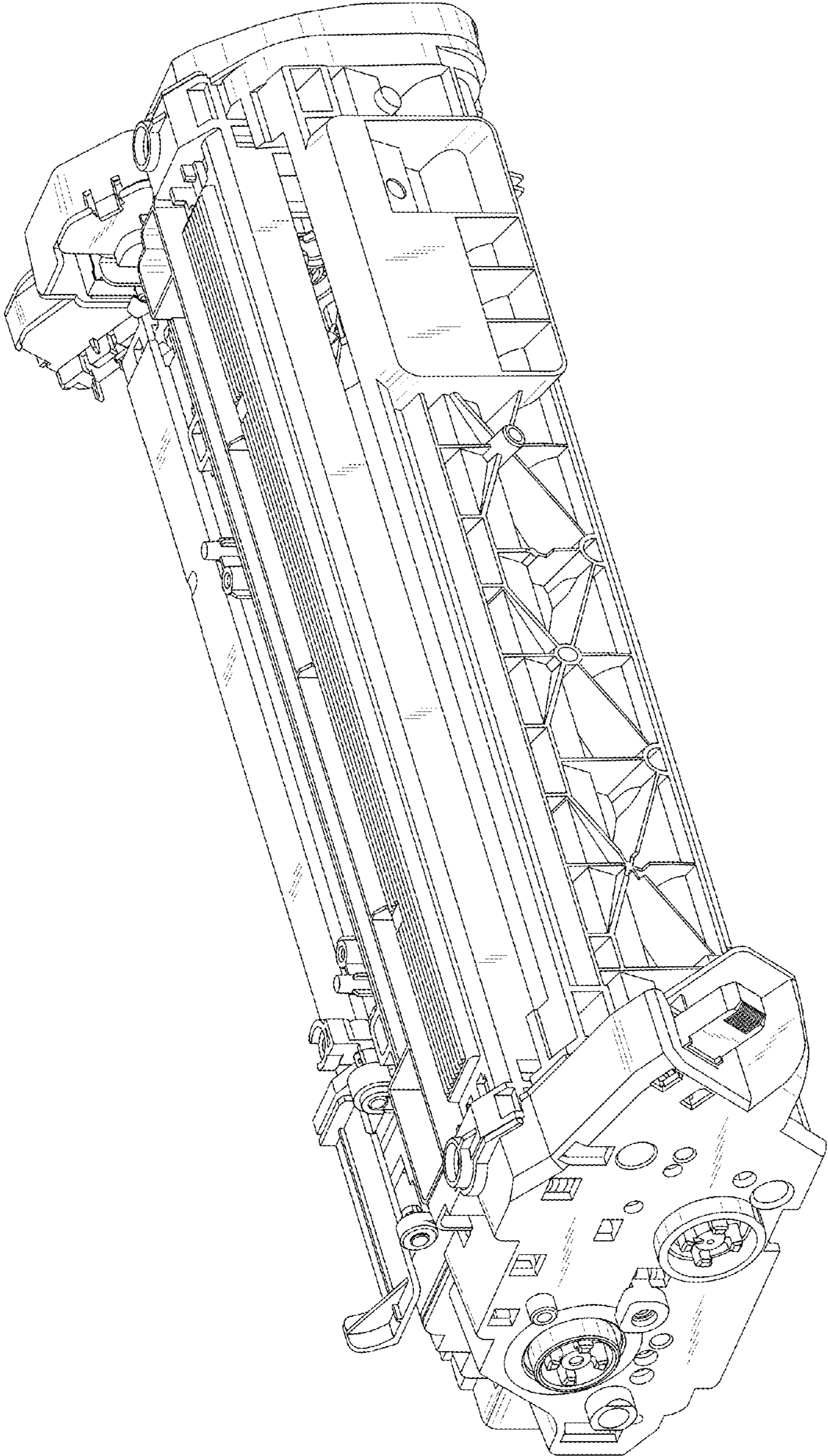




FIG.2

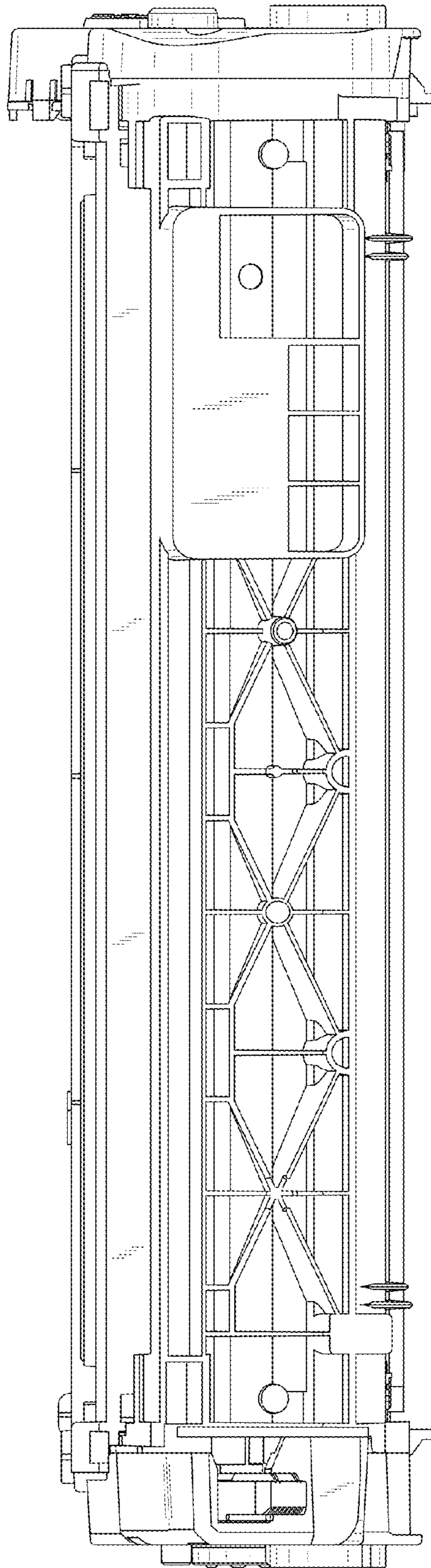


FIG.3

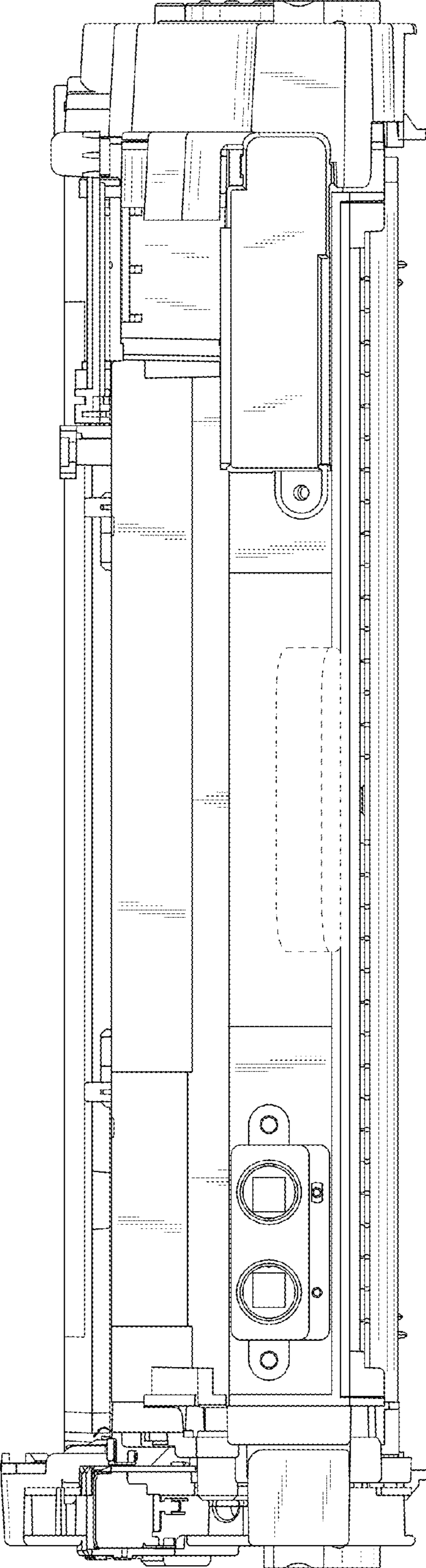


FIG.4

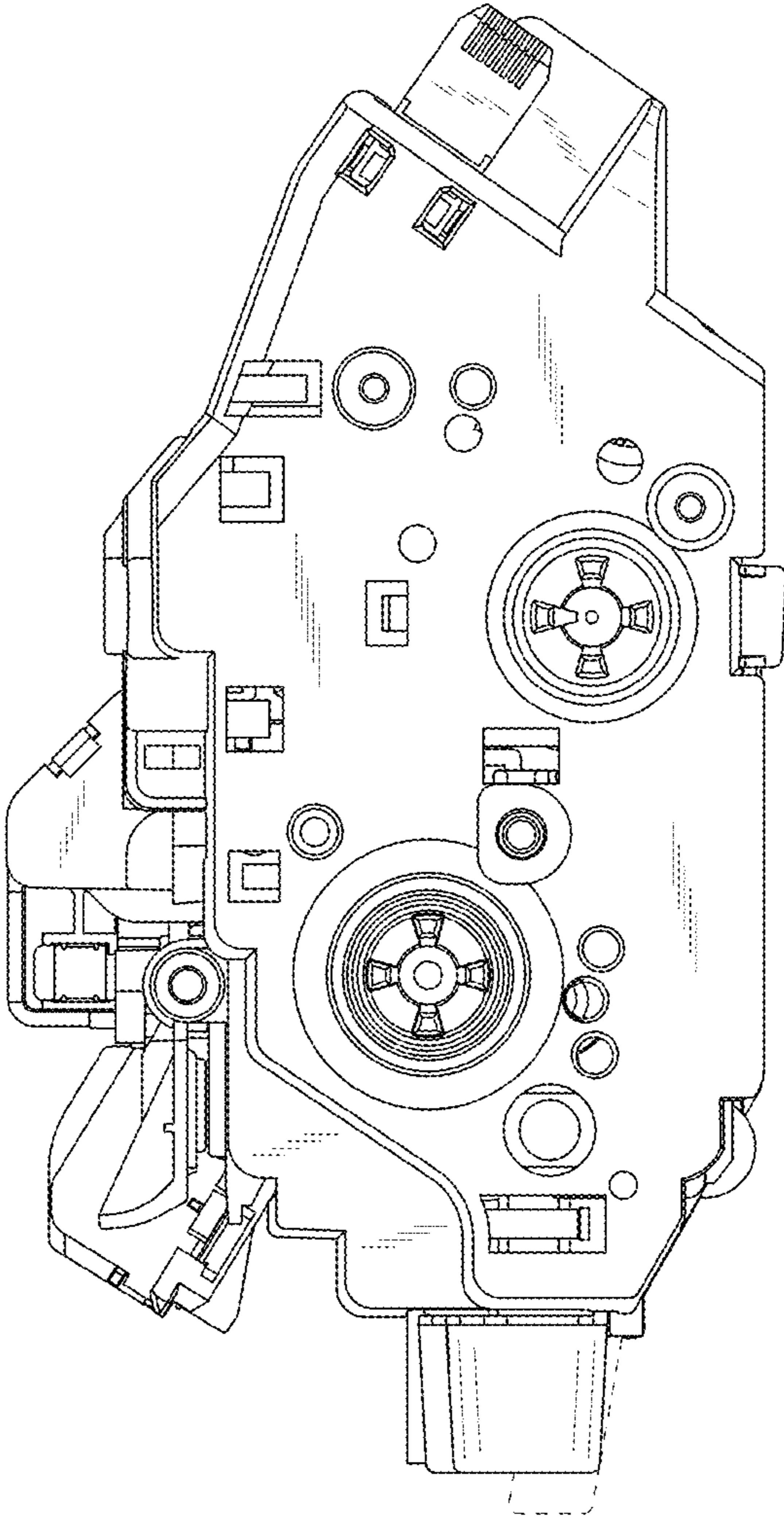


FIG.5

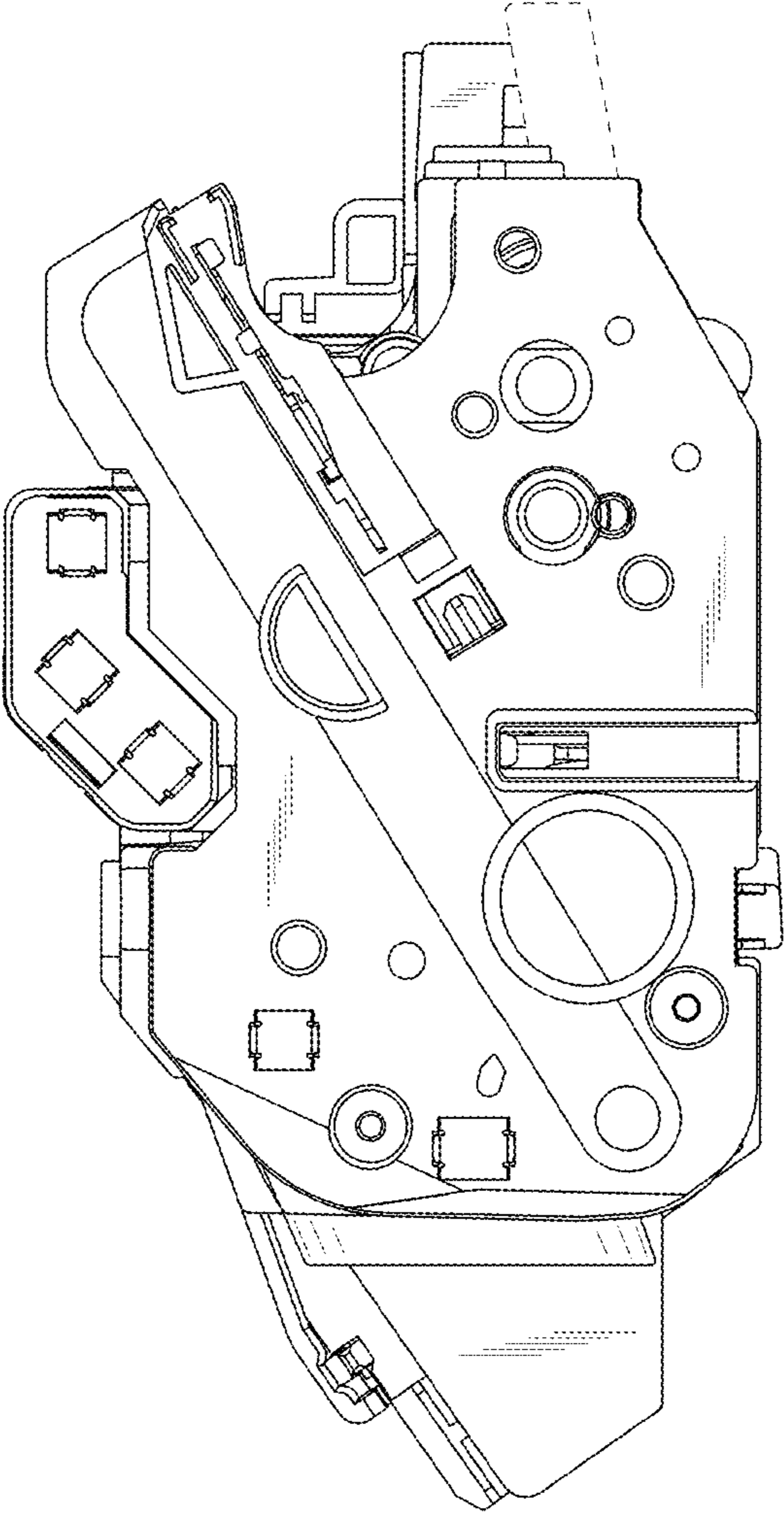




FIG.6

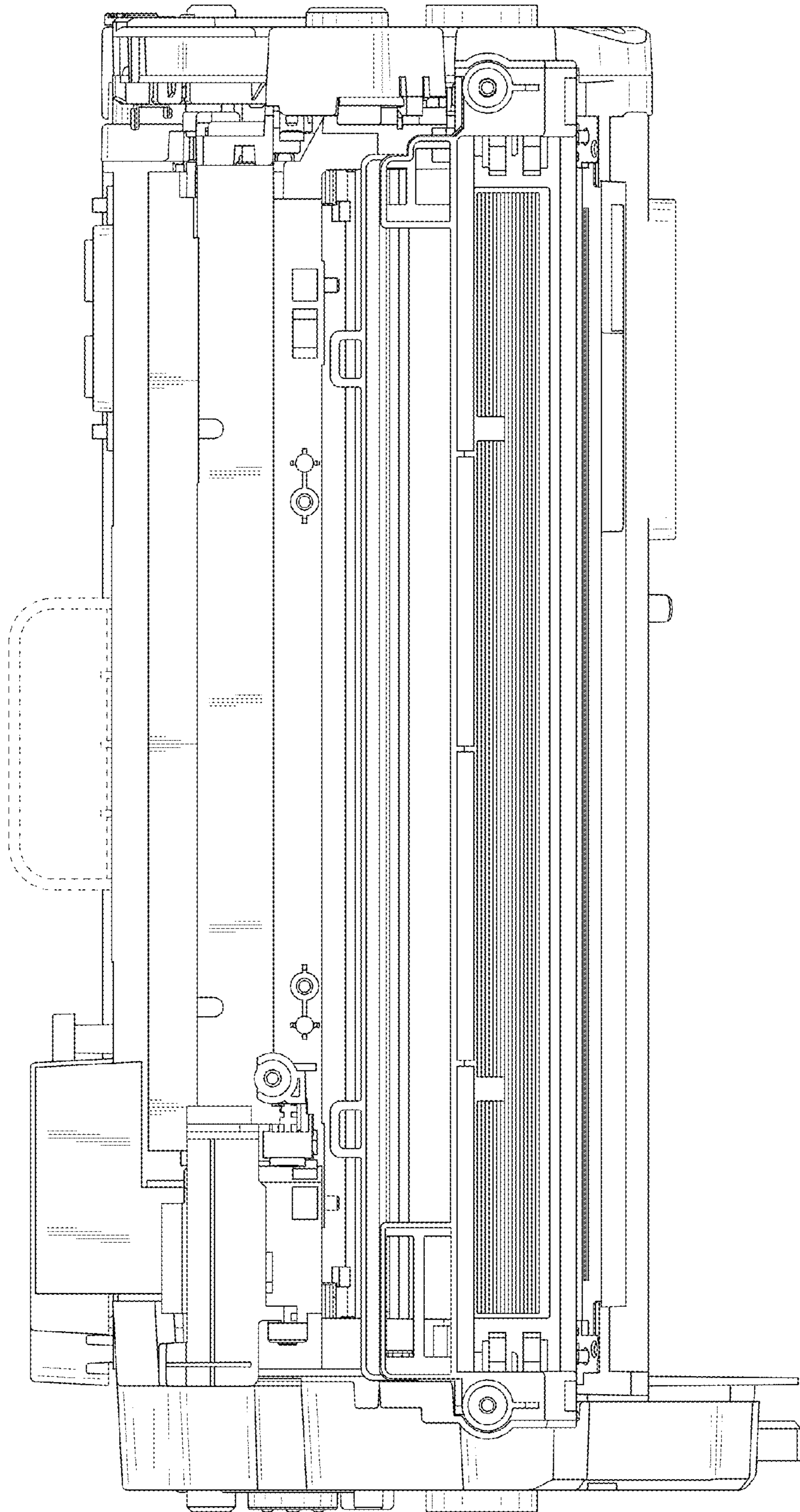


FIG.7

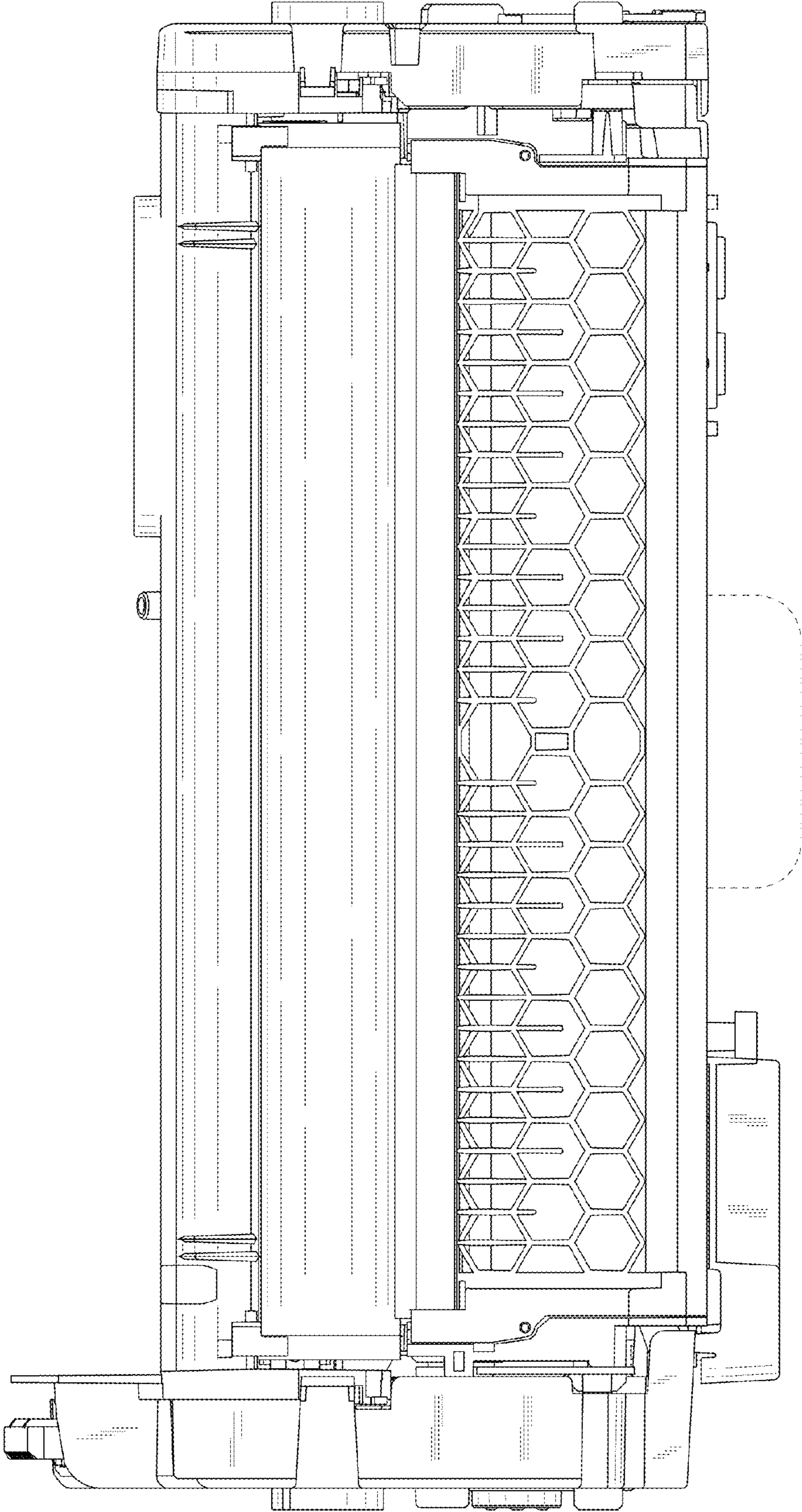




FIG.8

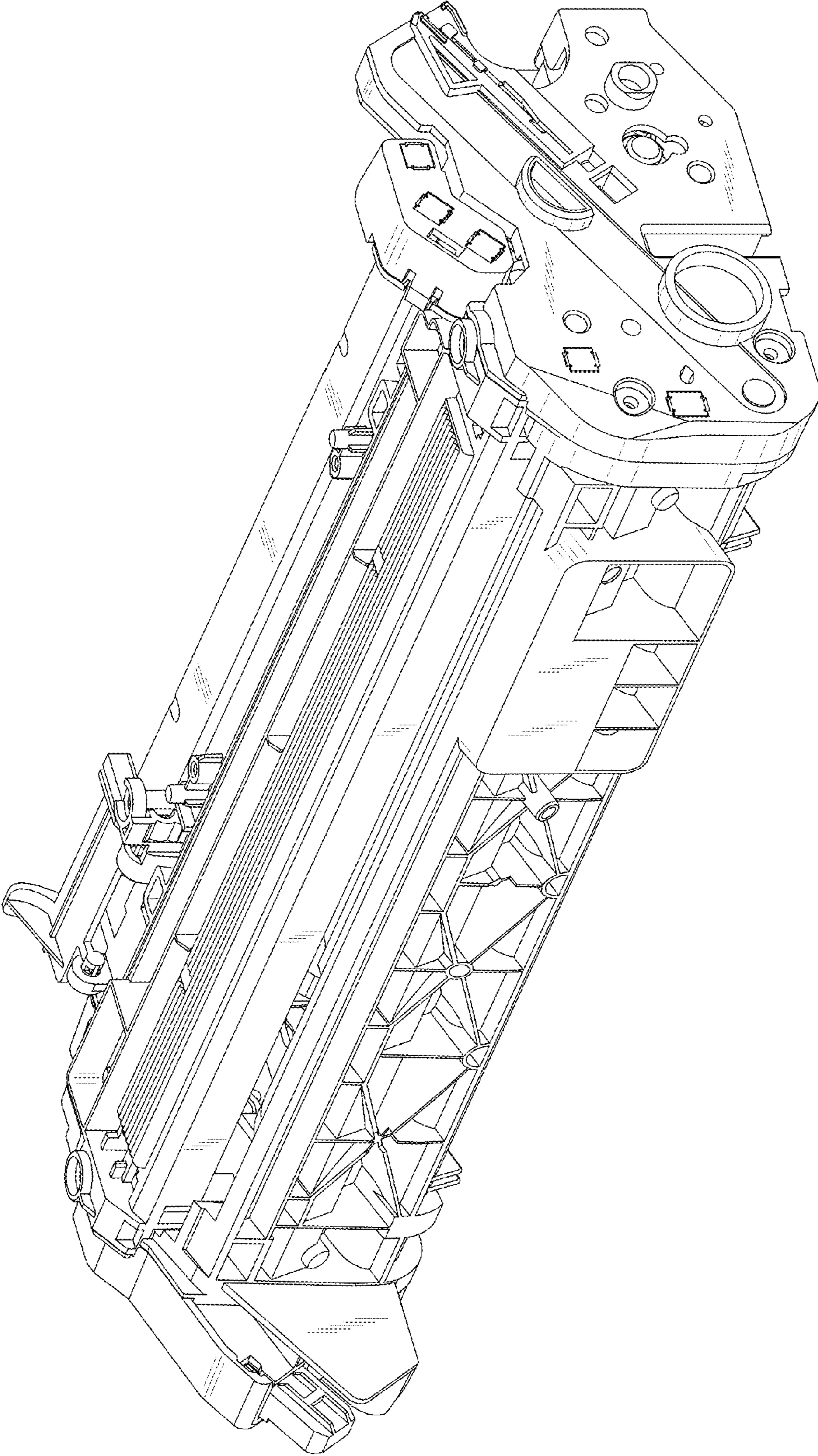


FIG.9

