



US00D765156S

(12) **United States Design Patent**
Matsumoto

(10) **Patent No.:** **US D765,156 S**

(45) **Date of Patent:** **** Aug. 30, 2016**

- (54) **CAM FOR TOOL CHANGER**
- (71) Applicant: **Nitta Corporation**, Osaka-shi (JP)
- (72) Inventor: **Ryosuke Matsumoto**, Yamatokoriyama (JP)
- (73) Assignee: **Nitta Corporation**, Osaka-shi (JP)
- (**) Term: **15 Years**
- (21) Appl. No.: **29/531,231**
- (22) Filed: **Jun. 24, 2015**
- (30) **Foreign Application Priority Data**

Dec. 25, 2014 (JP) 2014-029217

(51) **LOC (10) Cl.** **15-09**

(52) **U.S. Cl.**
USPC **D15/138**

(58) **Field of Classification Search**
USPC D8/70, 71, 354; D15/124, 126, 138
See application file for complete search history.

(56) **References Cited**

U.S. PATENT DOCUMENTS

- D256,092 S * 7/1980 Stewart, Jr. D12/317
- 4,917,619 A * 4/1990 Nishiwaki B23K 9/323
439/191
- 4,995,493 A * 2/1991 Cotsman B25J 15/0491
192/150
- 5,044,063 A * 9/1991 Voellmer B23Q 3/15553
294/86.4
- 5,086,901 A * 2/1992 Petronis B25J 19/063
192/150
- 5,779,609 A * 7/1998 Cullen B23K 9/287
219/98
- 5,809,639 A * 9/1998 Alvite H05K 13/003
29/740
- 5,993,365 A * 11/1999 Stagnitto B25J 15/0491
414/736
- 6,491,612 B1 * 12/2002 Kurup B23K 9/20
285/268
- D469,680 S * 2/2003 Laabs D8/343
- 6,533,594 B1 * 3/2003 Kurup B23K 11/362
439/191
- D482,596 S * 11/2003 Laabs D8/343
- D500,510 S * 1/2005 Annis D15/199
- D500,664 S * 1/2005 Myers D8/343
- D511,369 S * 11/2005 Croft D23/233
- D512,439 S * 12/2005 Pearson, Sr. D15/5
- D518,358 S * 4/2006 Senn D8/343
- D544,032 S * 6/2007 Shimada D19/32

- D551,941 S * 10/2007 Miao D8/336
- D563,769 S * 3/2008 Short D8/354
- D590,229 S * 4/2009 Reece, Jr. D8/70
- D617,172 S * 6/2010 DiVito D8/343
- D618,807 S * 6/2010 Konrad D24/181
- D621,859 S * 8/2010 Yellin D15/140
- D628,514 S * 12/2010 Paik D11/216
- D647,770 S * 11/2011 Watson D8/51
- D651,229 S * 12/2011 Tan D16/202
- D685,623 S * 7/2013 Lewis D8/331
- D686,580 S * 7/2013 Woodlief D13/155
- D720,200 S * 12/2014 Gokcebay D8/331
- D720,201 S * 12/2014 Gokcebay D8/331
- D741,696 S * 10/2015 McGrath D8/382
- D747,492 S * 1/2016 Kim D24/180
- D747,780 S * 1/2016 Swan D22/110
- D752,525 S * 3/2016 Zheng D13/158
- D752,526 S * 3/2016 Zheng D13/158
- 2003/0159284 A1 * 8/2003 Ohara B21J 5/02
29/888.1
- 2011/0277603 A1 * 11/2011 Uchimura B23B 5/08
82/159
- 2012/0116570 A1 * 5/2012 Nishioka B23Q 3/15706
700/179
- 2014/0256527 A1 * 9/2014 Liu B23Q 3/15706
483/54
- 2015/0072845 A1 * 3/2015 Murota B23Q 3/15706
483/7
- 2016/0052146 A1 * 2/2016 Berrocal B23B 31/30
483/1

FOREIGN PATENT DOCUMENTS

JP 2012-250327 A 12/2012
Primary Examiner — Patricia Palasik
* cited by examiner
(74) *Attorney, Agent, or Firm* — Locke Lord LLP

(57) **CLAIM**
The ornamental design for a cam for tool changer, as shown and described.

DESCRIPTION

FIG. 1 is a front perspective view of a cam for a tool changer showing our new design;
FIG. 2 is a front view thereof;
FIG. 3 is a rear view thereof;
FIG. 4 is a top view thereof;
FIG. 5 is a bottom view thereof;
FIG. 6 is a right side elevational view thereof;
FIG. 7 is a left side elevational view thereof; and,
FIG. 8 is a sectional view taken along the line 8-8 of FIG. 7.

1 Claim, 8 Drawing Sheets

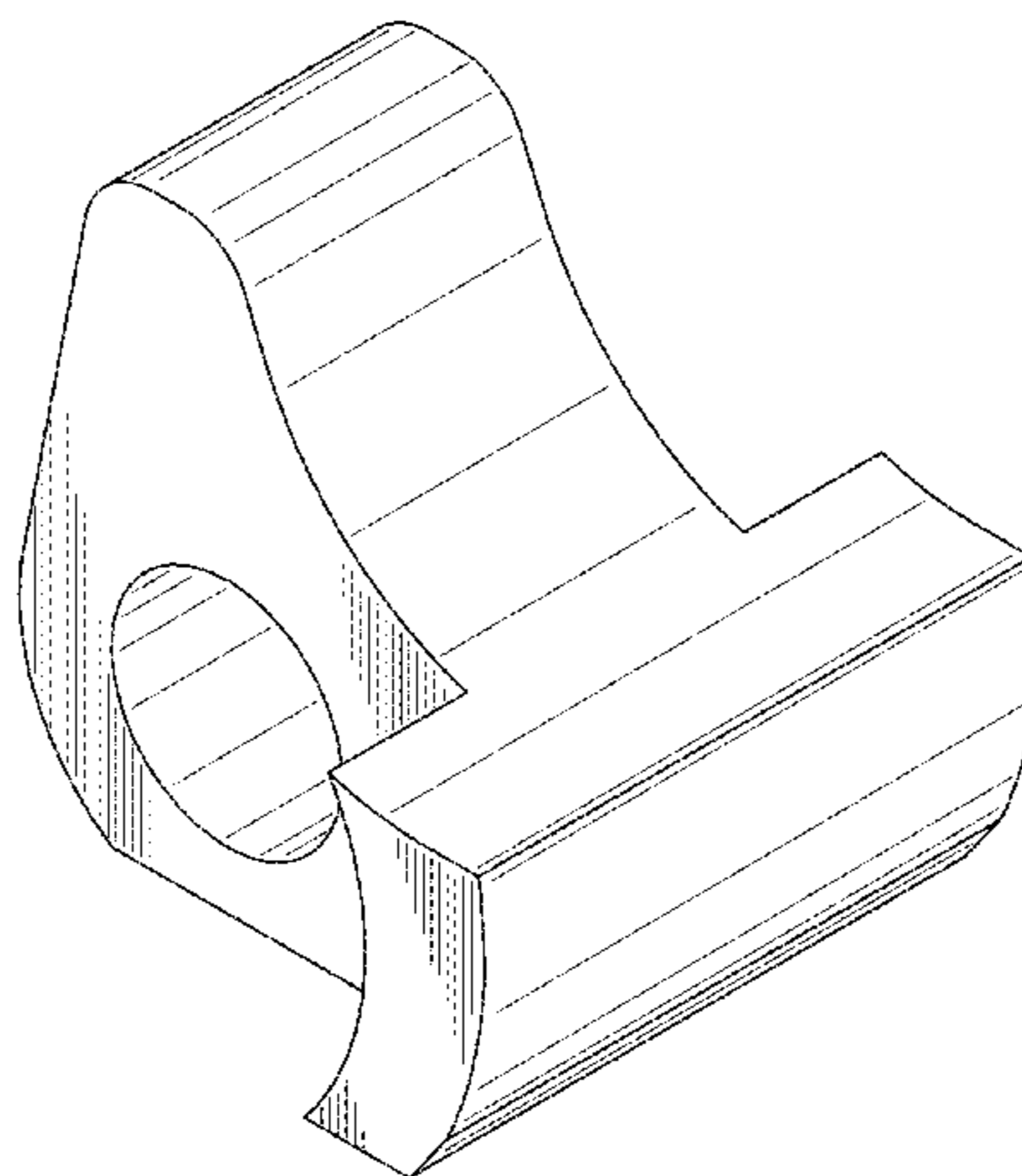


FIG. 1

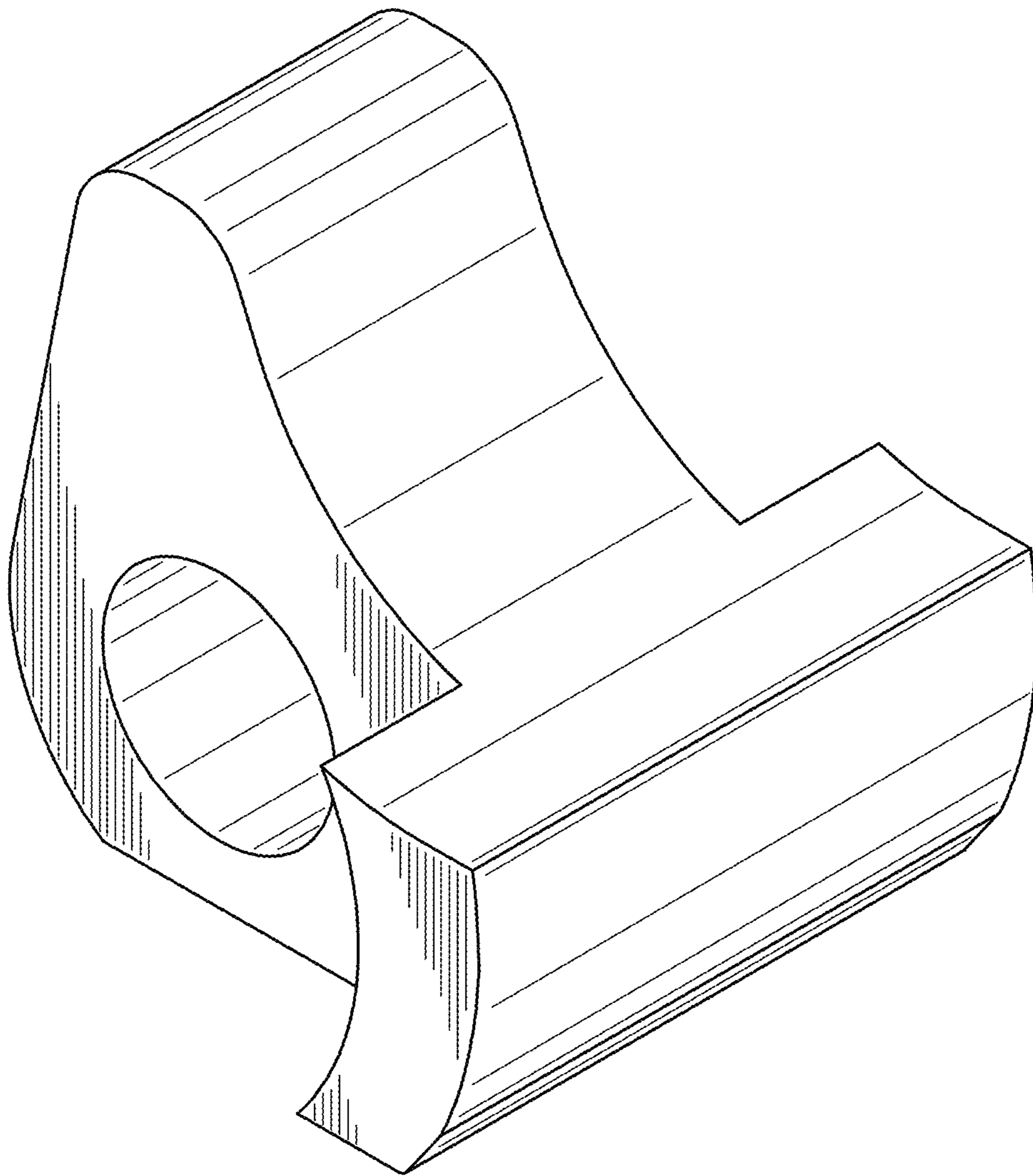


FIG. 2

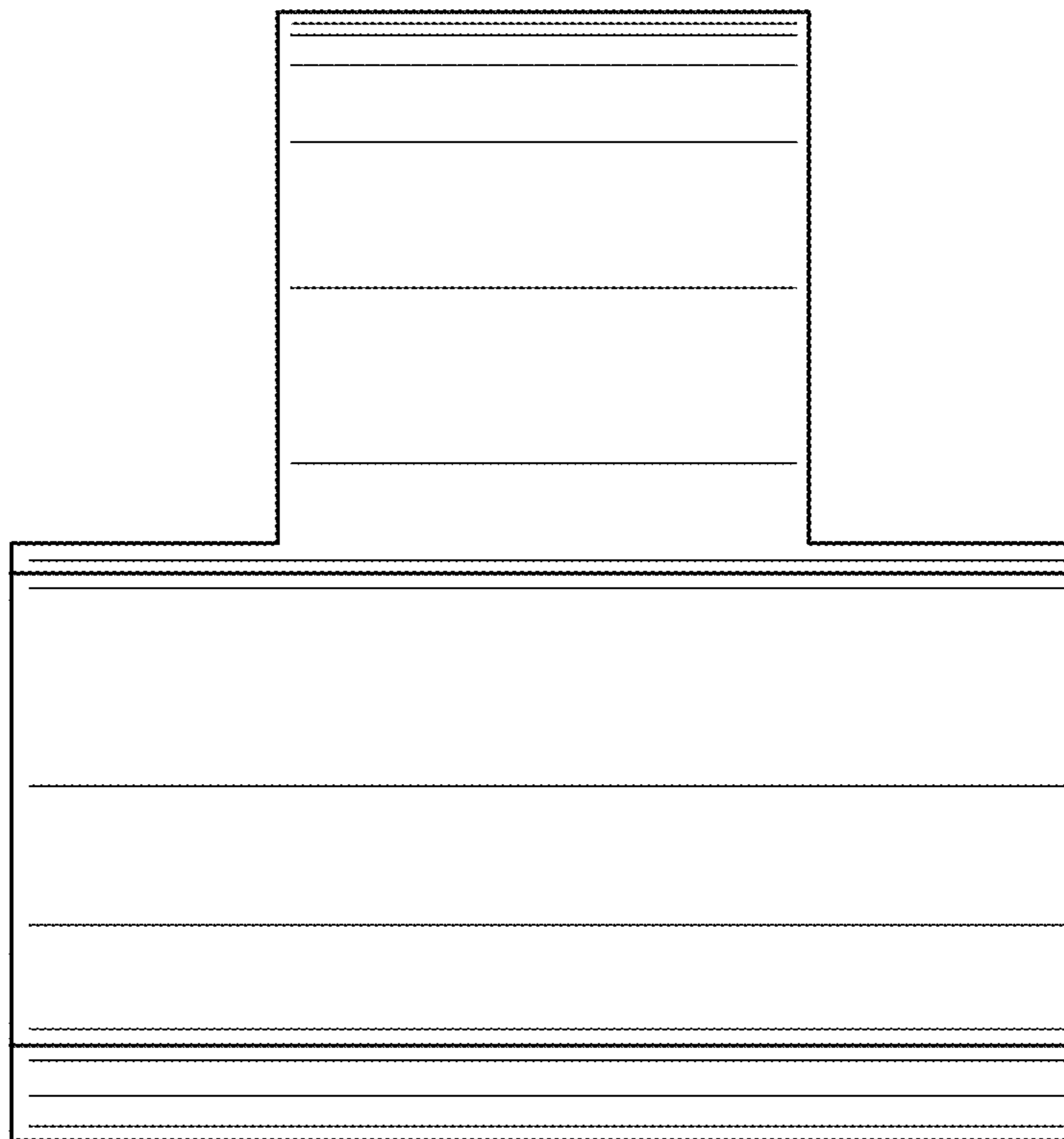


FIG. 3

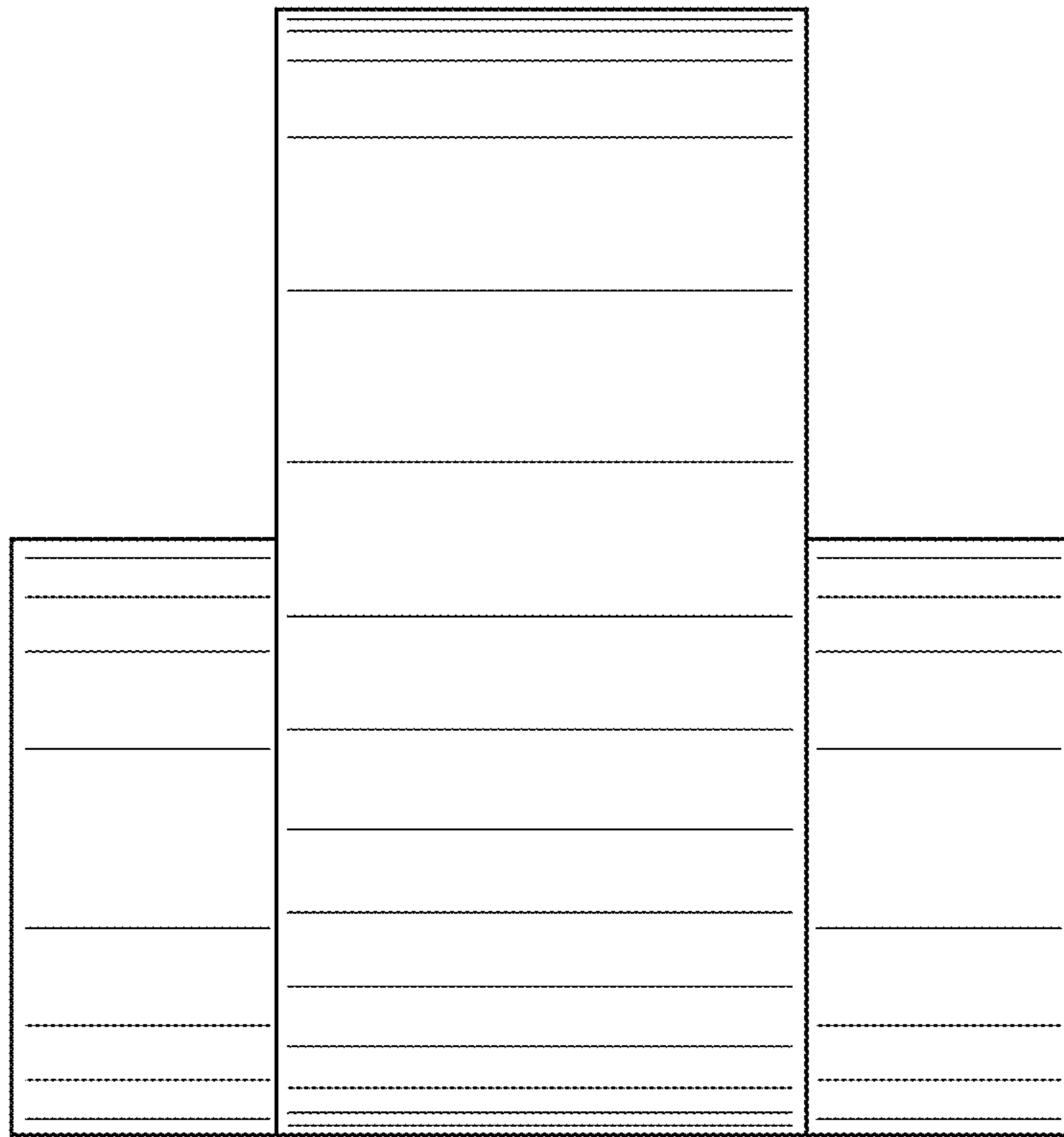


FIG. 4

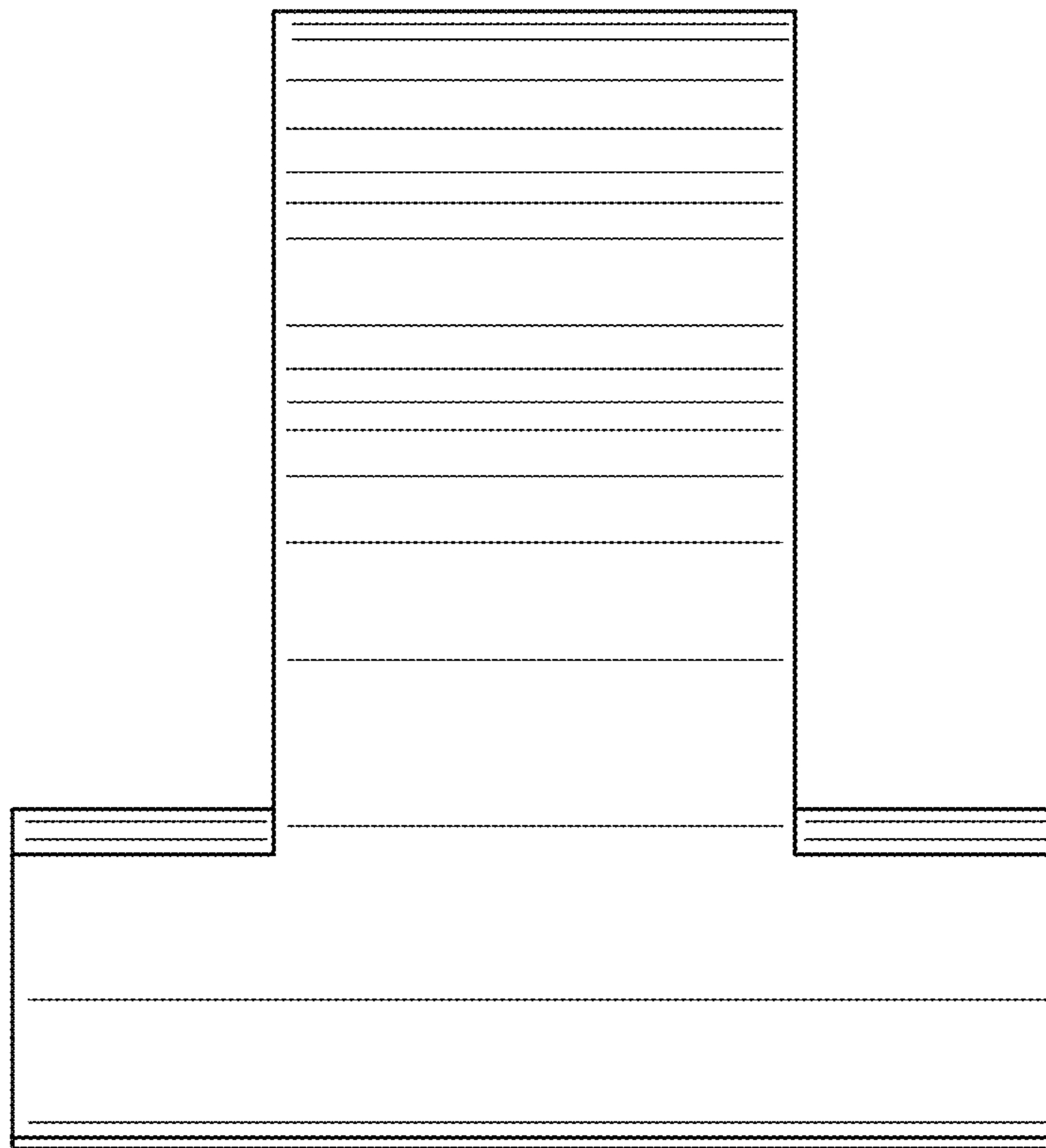


FIG. 5

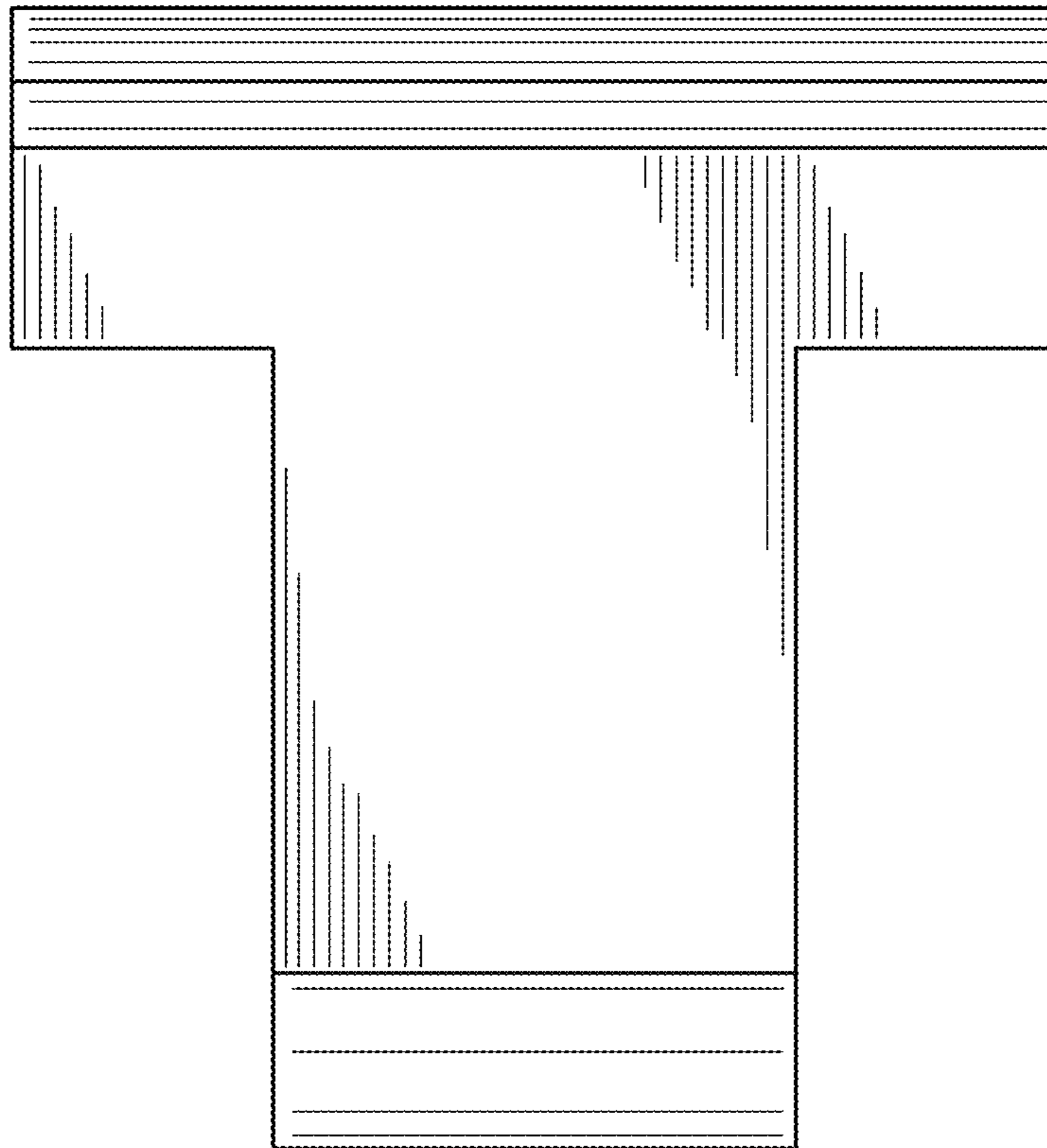


FIG. 6

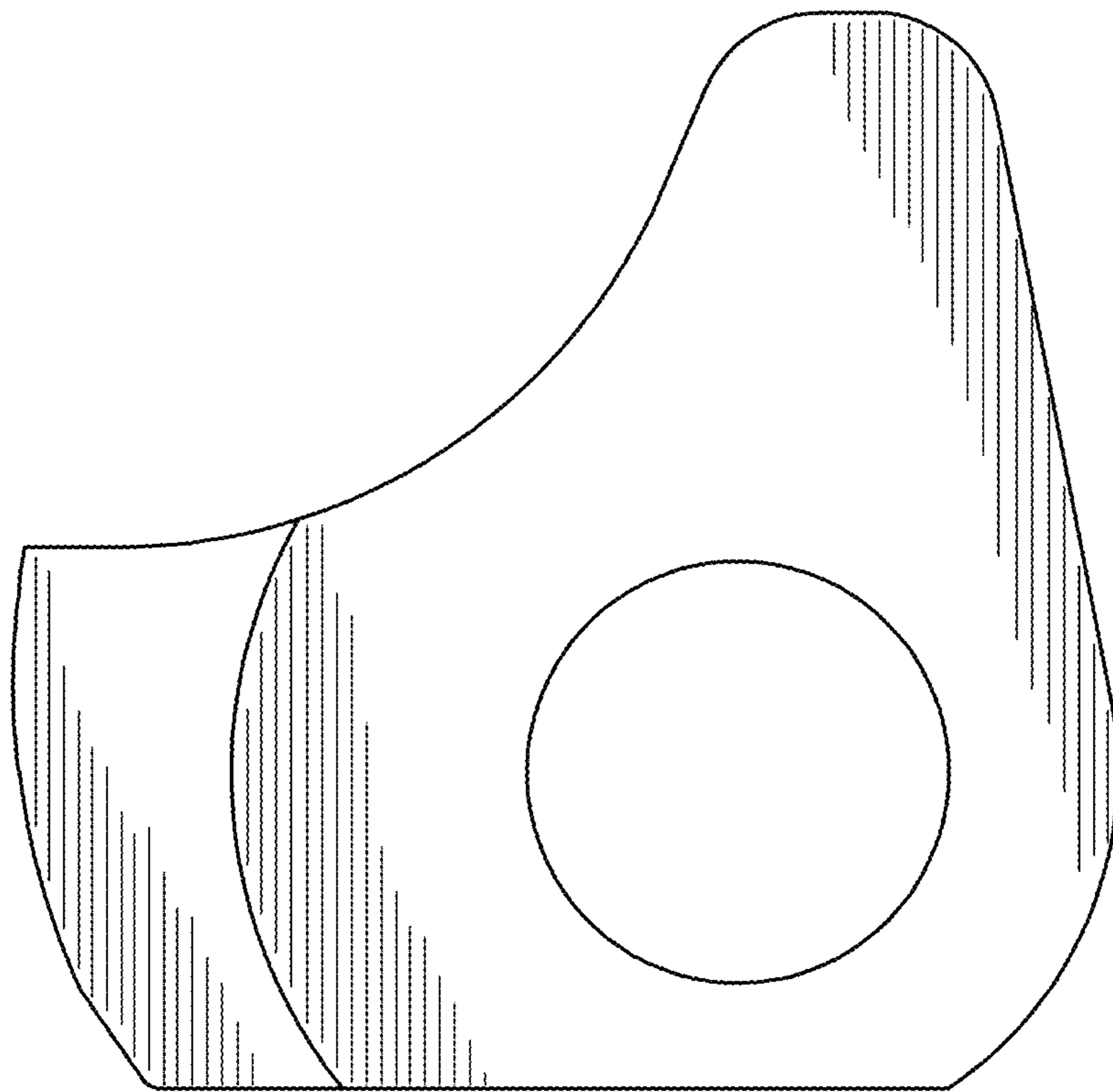


FIG. 7

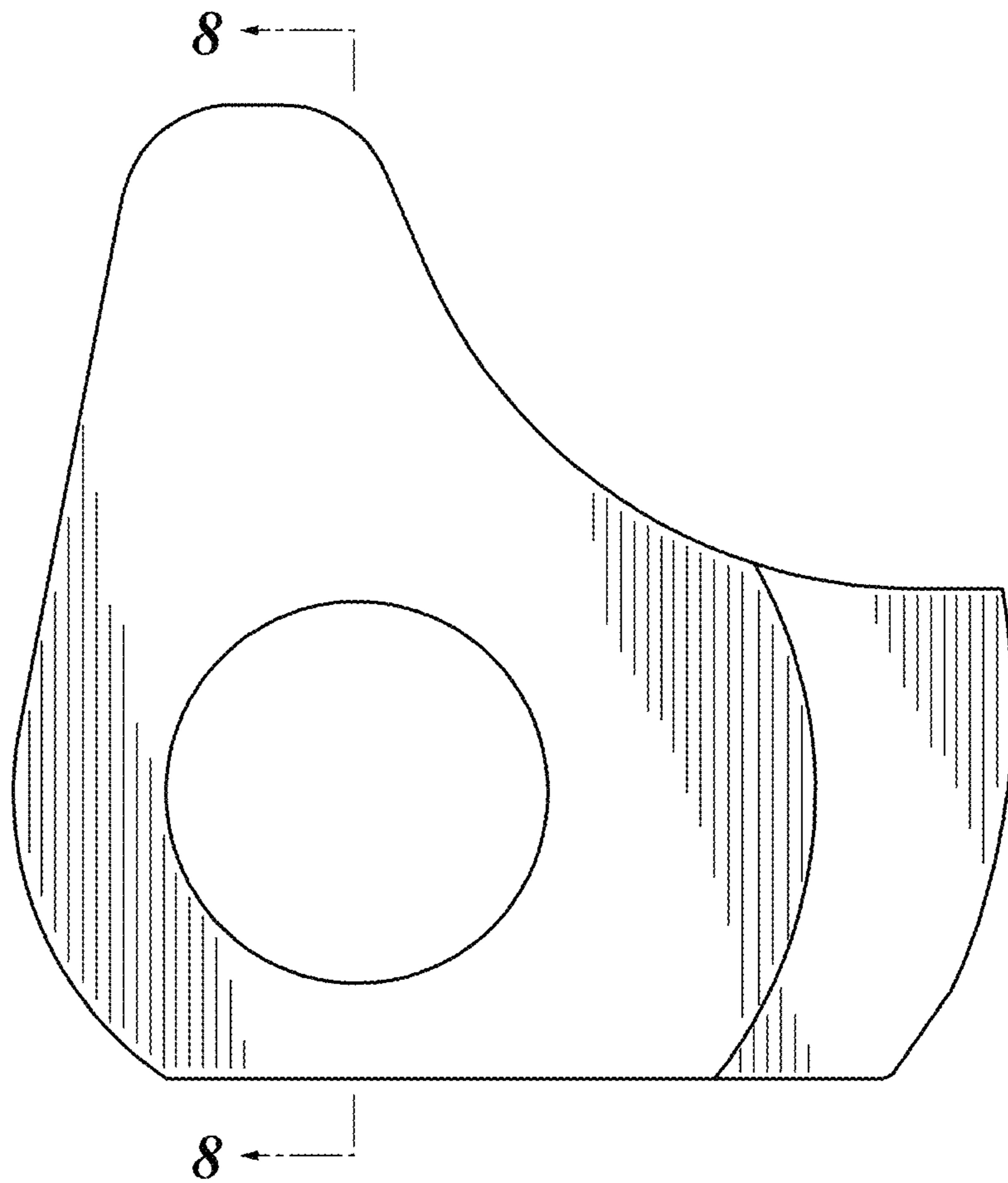


FIG. 8

