



US00D765154S

(12) **United States Design Patent**
Kotlar

(10) **Patent No.:** **US D765,154 S**

(45) **Date of Patent:** **** Aug. 30, 2016**

(54) **3D PRINTER**

(71) Applicant: **Nano-Dimension Technologies, Ltd.**,
Nes Ziona (IL)

(72) Inventor: **Lena Kotlar**, Nes Ziona (IL)

(73) Assignee: **Nano-Dimensions Technologies LTD.**,
Nes-Ziona (IL)

(**) Term: **15 Years**

(21) Appl. No.: **29/543,612**

(22) Filed: **Oct. 27, 2015**

(51) **LOC (10) Cl.** **15-09**

(52) **U.S. Cl.**
USPC **D15/122**

(58) **Field of Classification Search**
USPC D15/122, 135; D18/6-7, 14, 19, 50, 54,
D18/54.1, 55, 59
See application file for complete search history.

(56) **References Cited**

U.S. PATENT DOCUMENTS

D501,502 S *	2/2005	Scully	D18/50
D514,556 S *	2/2006	Rising	D14/300
7,297,304 B2 *	11/2007	Swanson	B29C 41/36 264/308
D612,121 S *	3/2010	Memari	D34/1
D732,588 S *	6/2015	Lin	D15/122
D736,838 S *	8/2015	Costabeber	D15/122
D739,885 S *	9/2015	Lee	D15/122
2014/0043630 A1 *	2/2014	Buser	H04N 13/02 358/1.13

* cited by examiner

Primary Examiner — Patricia Palasik

(74) *Attorney, Agent, or Firm* — Guy Levi; The IP Law Firm
of Guy Levi, LLC

(57) **CLAIM**

I claim, the ornamental design for a 3D printer, as shown and
described herein.

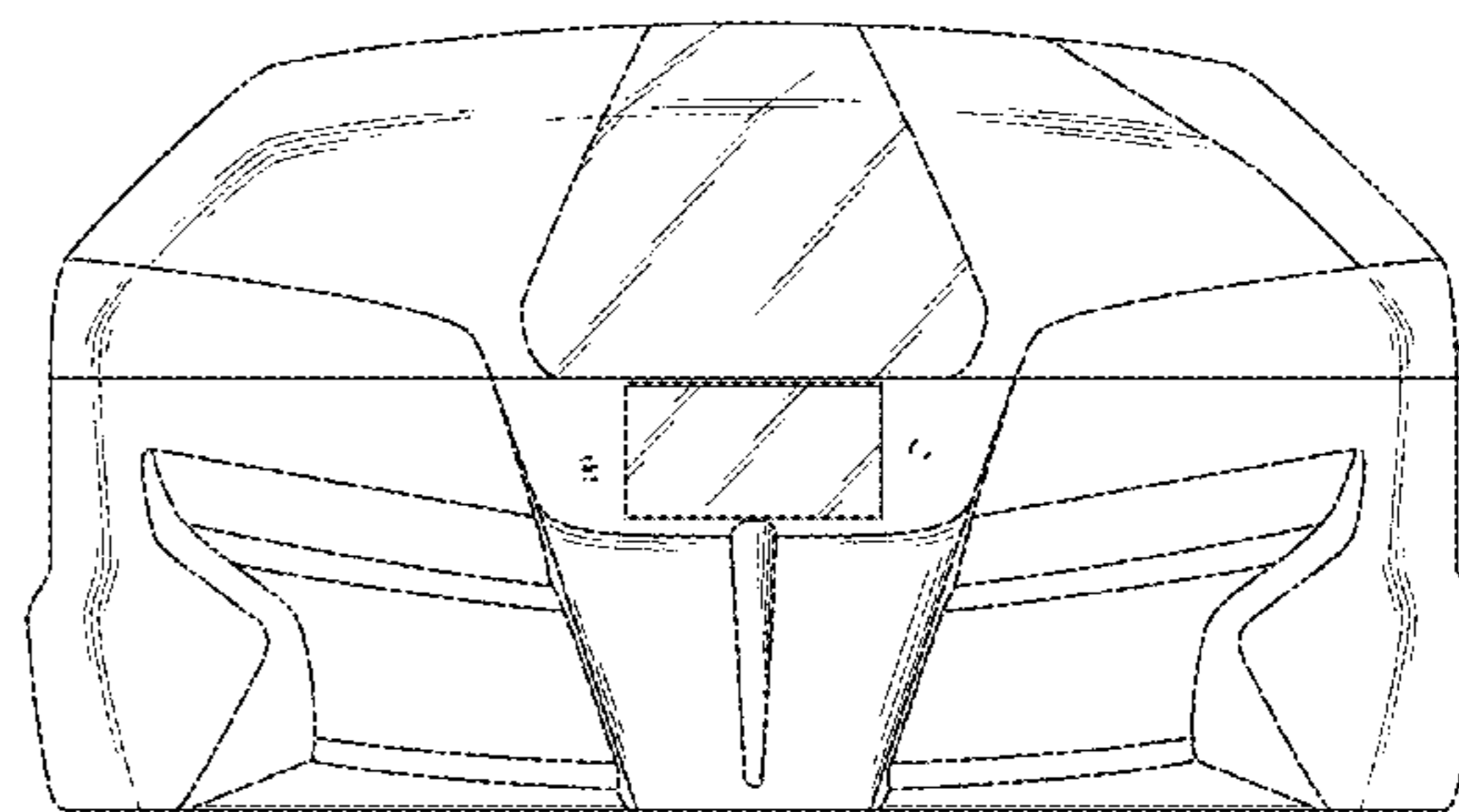
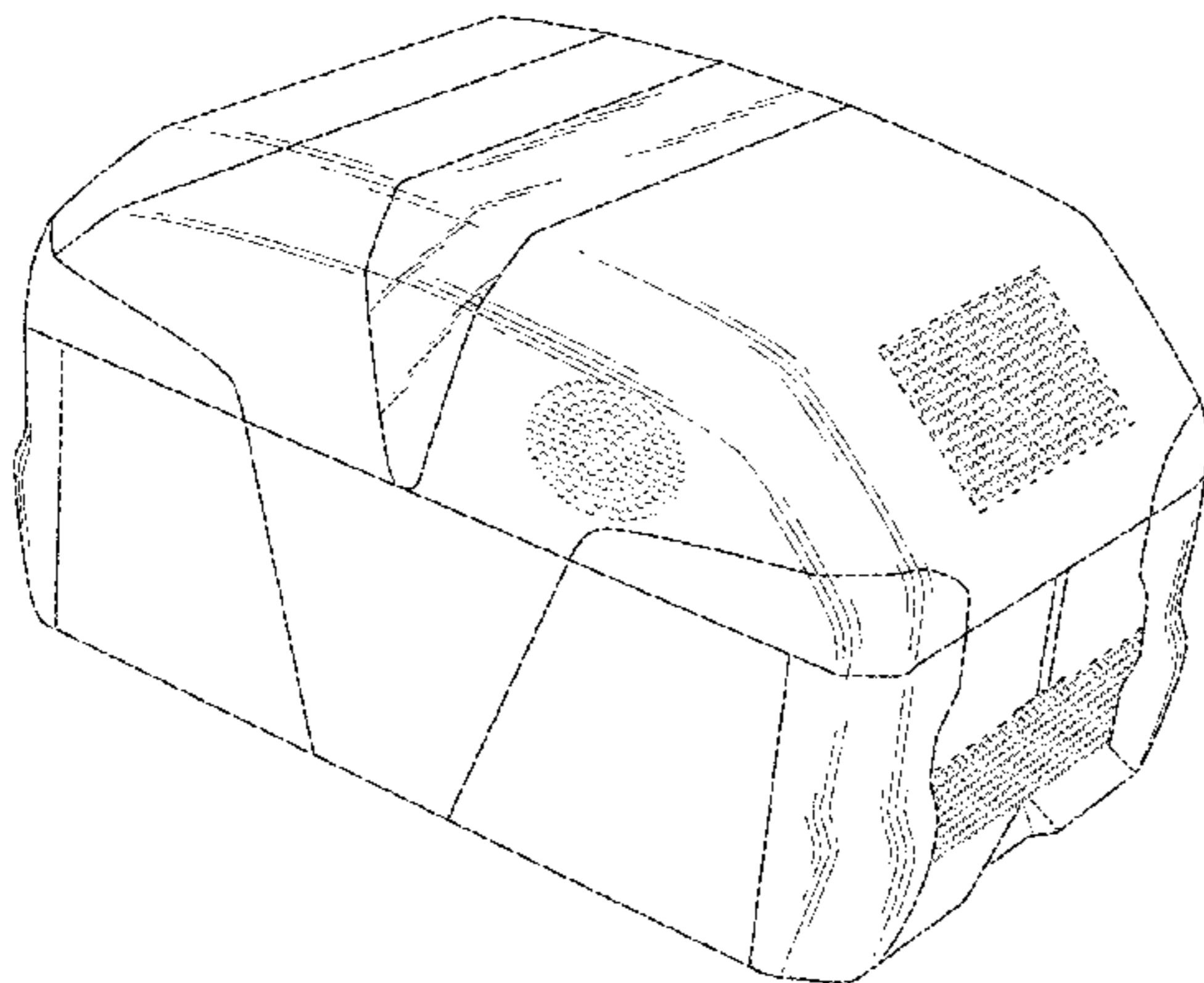
DESCRIPTION

FIG. 1 is a front top right perspective view of the 3D printer,
showing my new design;
FIG. 2 is a front bottom left perspective view thereof;
FIG. 3 is a rear top left perspective view thereof;
FIG. 4 is a front elevation view thereof;
FIG. 5 is a rear elevation view thereof;
FIG. 6 is a top plan view thereof;
FIG. 7 is a bottom plan view thereof;
FIG. 8 is a right side elevation view thereof; and,
FIG. 9 is a left side elevation view thereof.

The dashed lines showing borders of air-vents illustrated in
FIGS. 1-3, 6, 8, and 9 and the control buttons illustrated in
FIGS. 1, 2, 4, and 6 as well as the 3D Printer floor illustrated
in FIG. 7 are included for illustrating environmental structure
and form no part of the claimed design.

The surface shading vertical and horizontal lines on the
claimed portion illustrated in FIGS. 1-9 are provided only to
indicate the character and/or any contour or curvature of the
surfaces. They do not indicate color, texture, markings that
actually exist thereon, indicia, graphic representations, sur-
face treatment, or any other ornamentation applied to the
article.

1 Claim, 6 Drawing Sheets



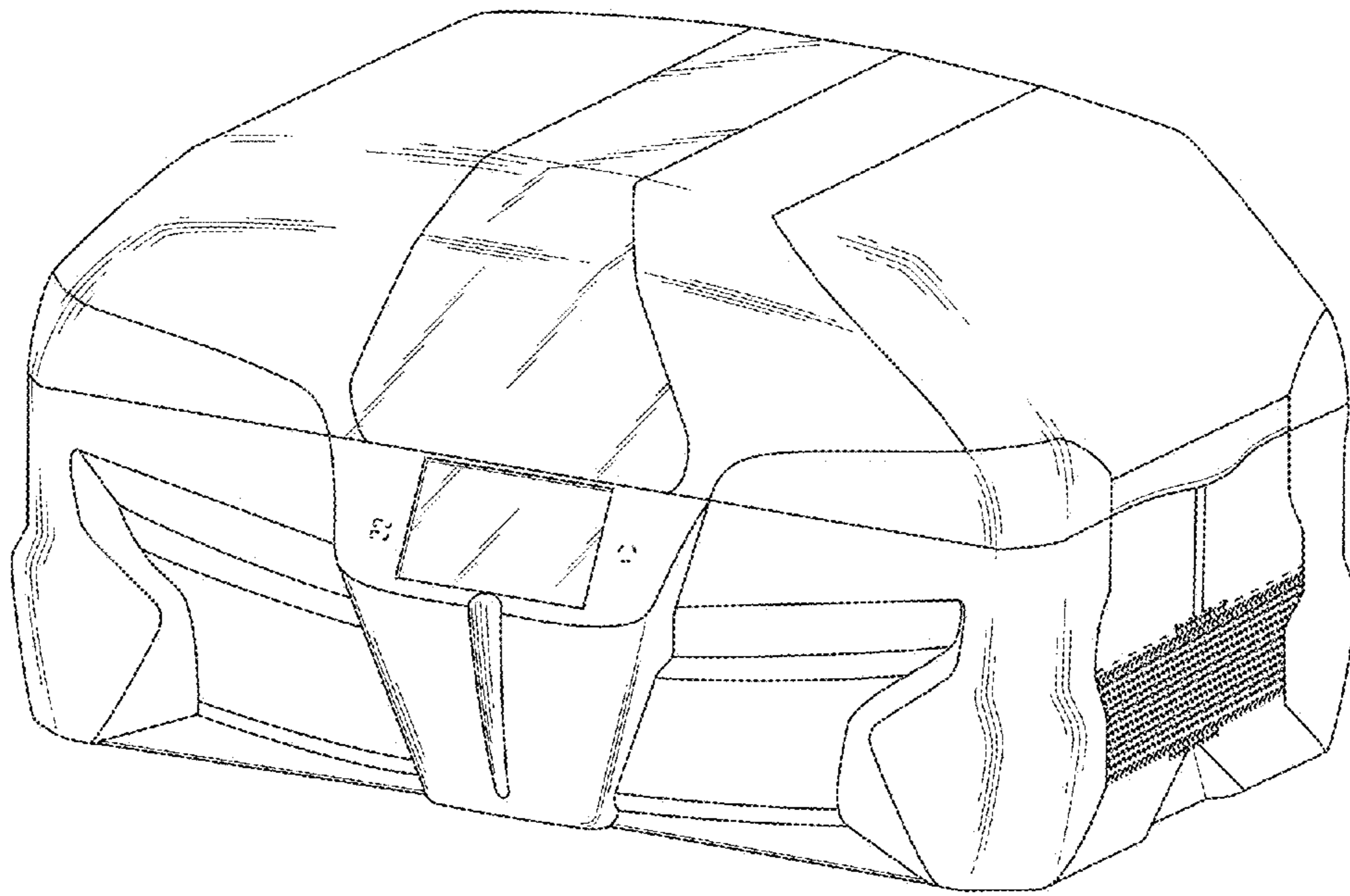


FIG. 1

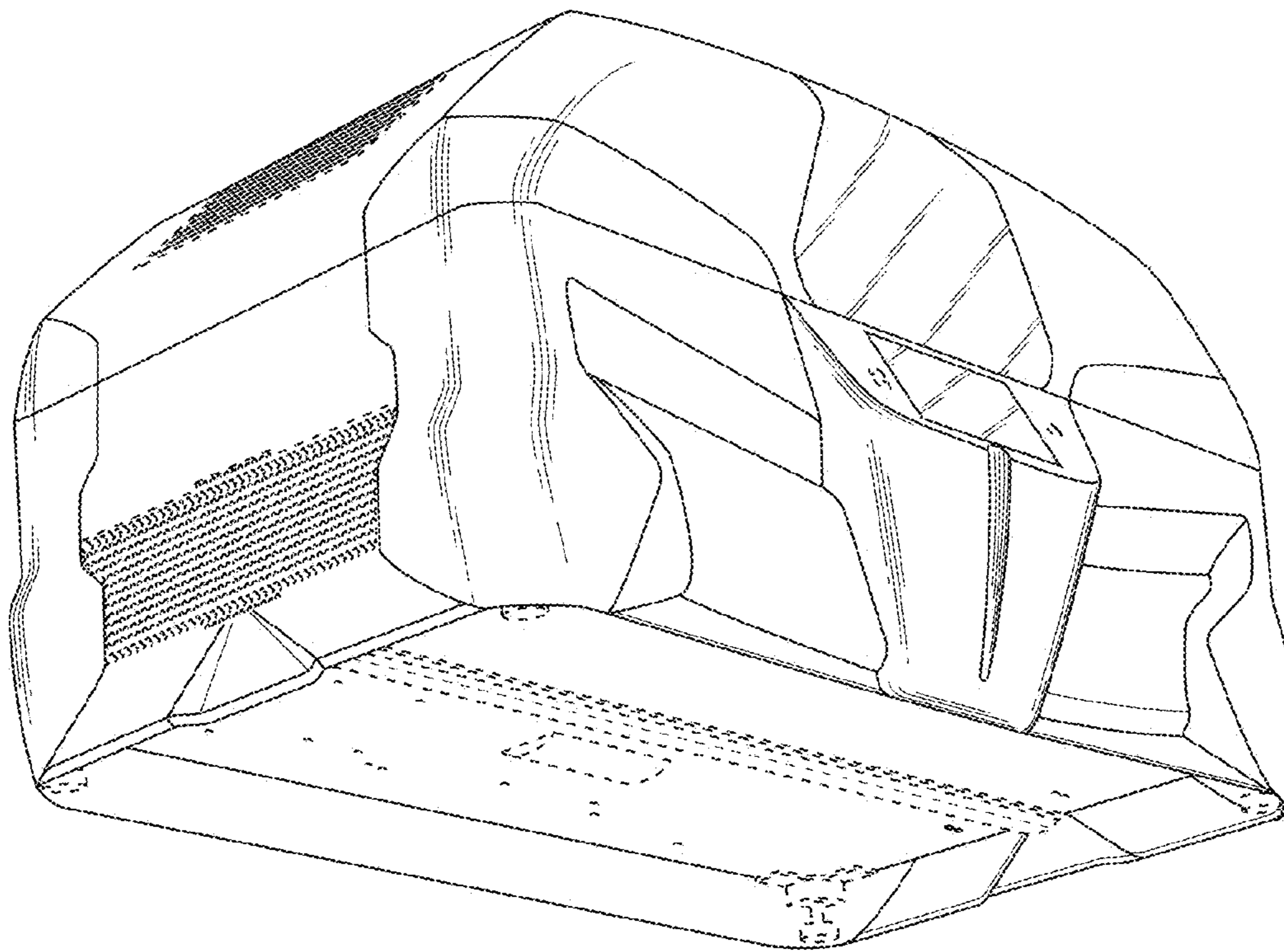


FIG. 2

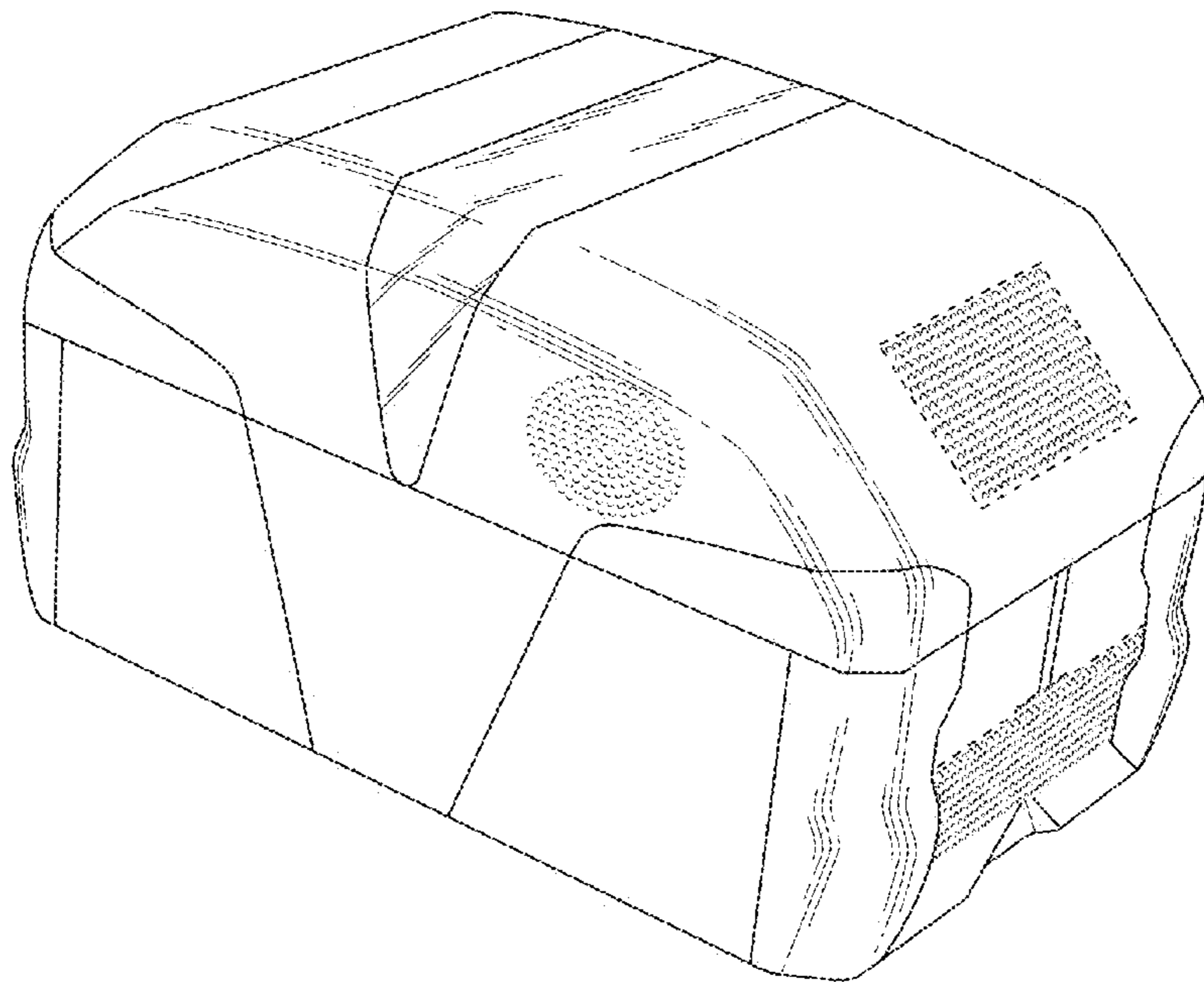


FIG. 3

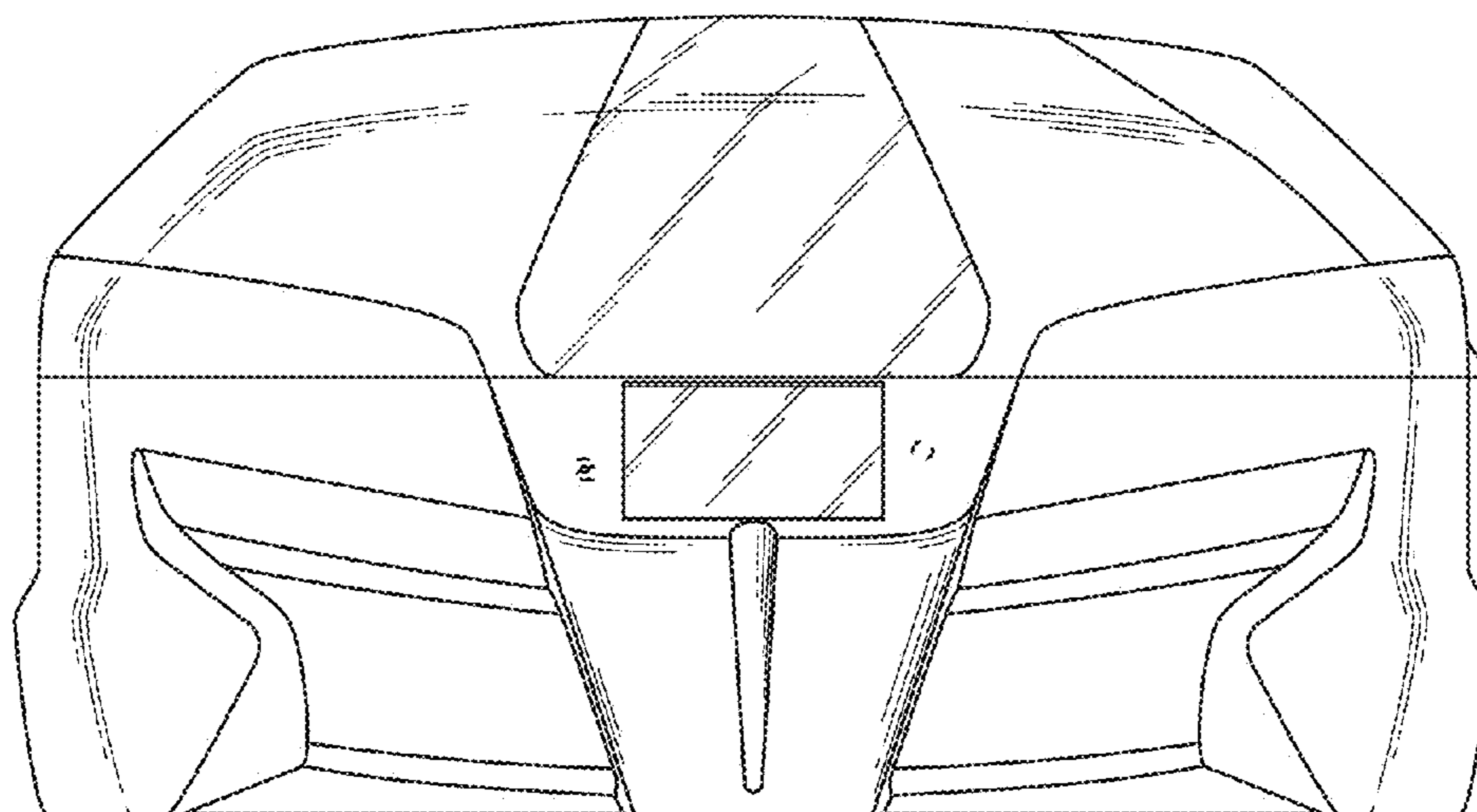


FIG. 4

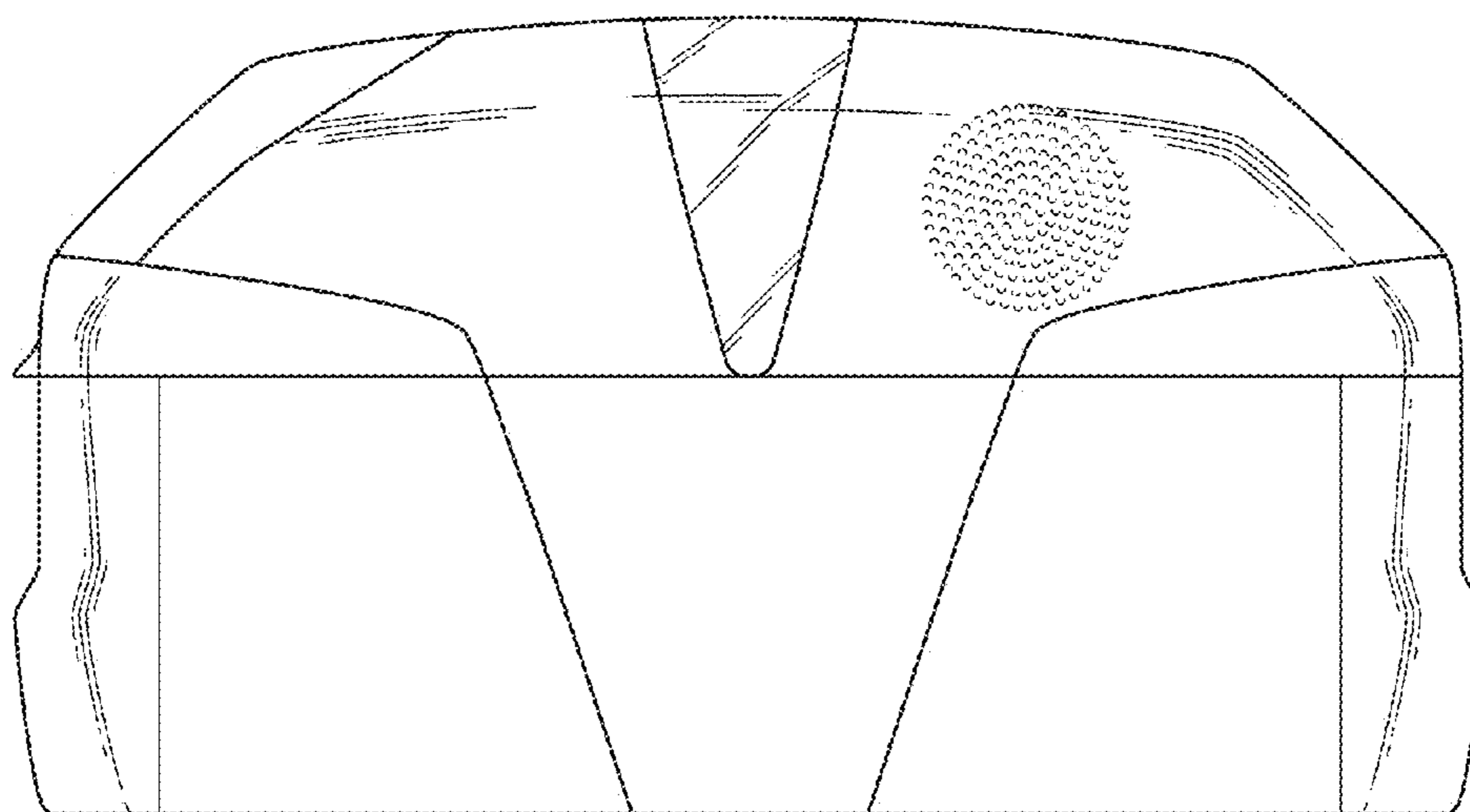


FIG. 5

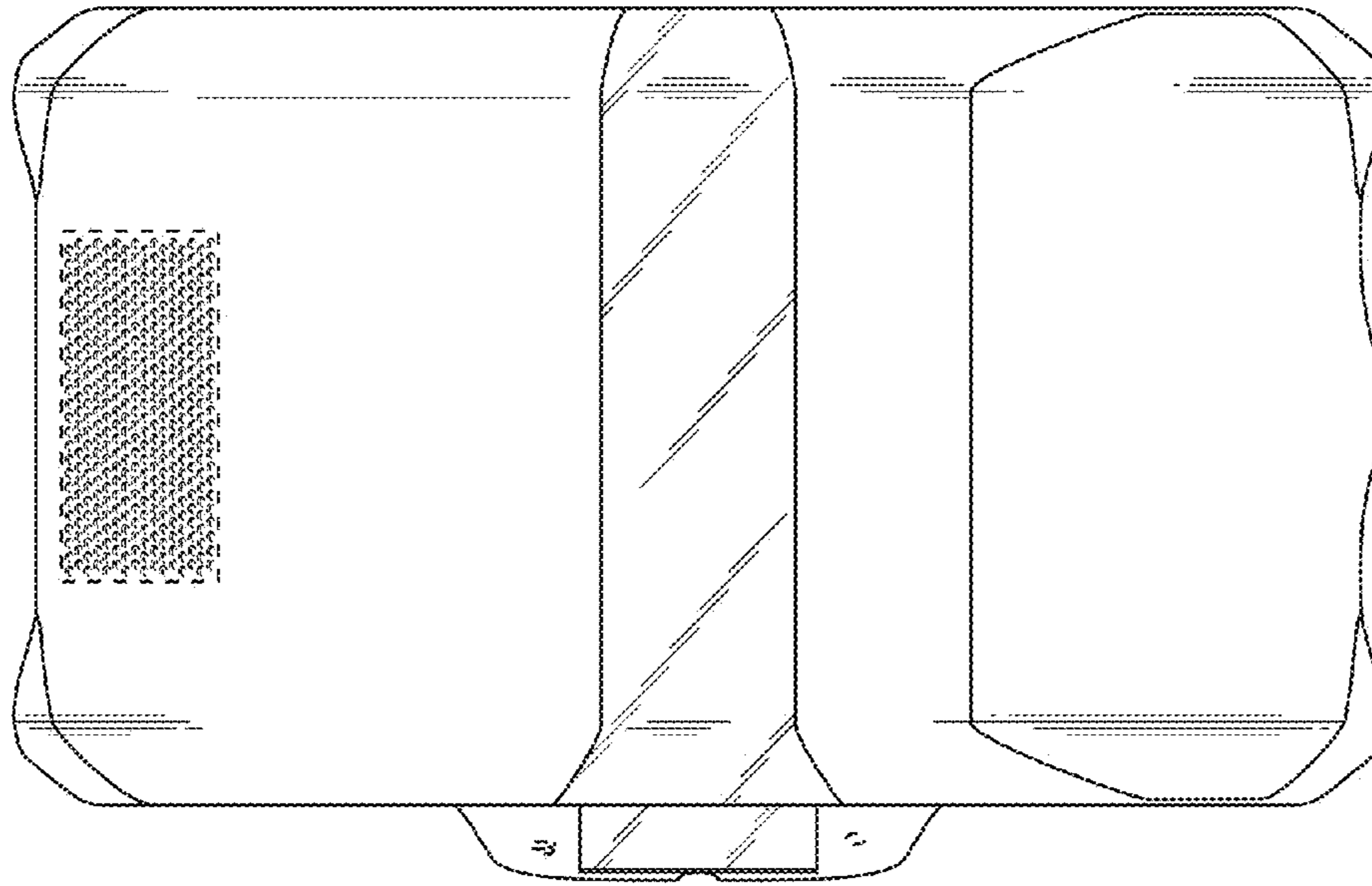


FIG. 6

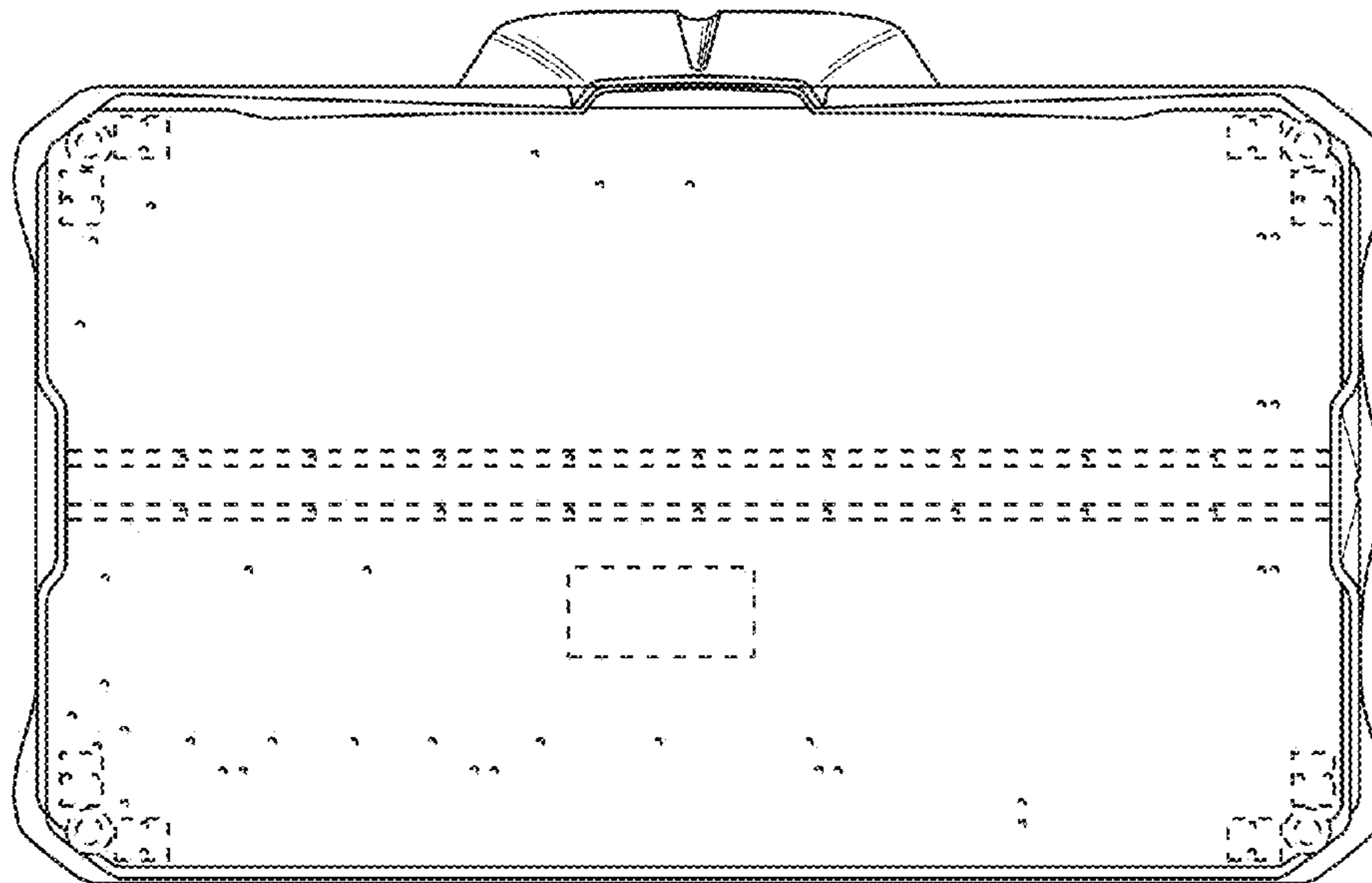


FIG. 7

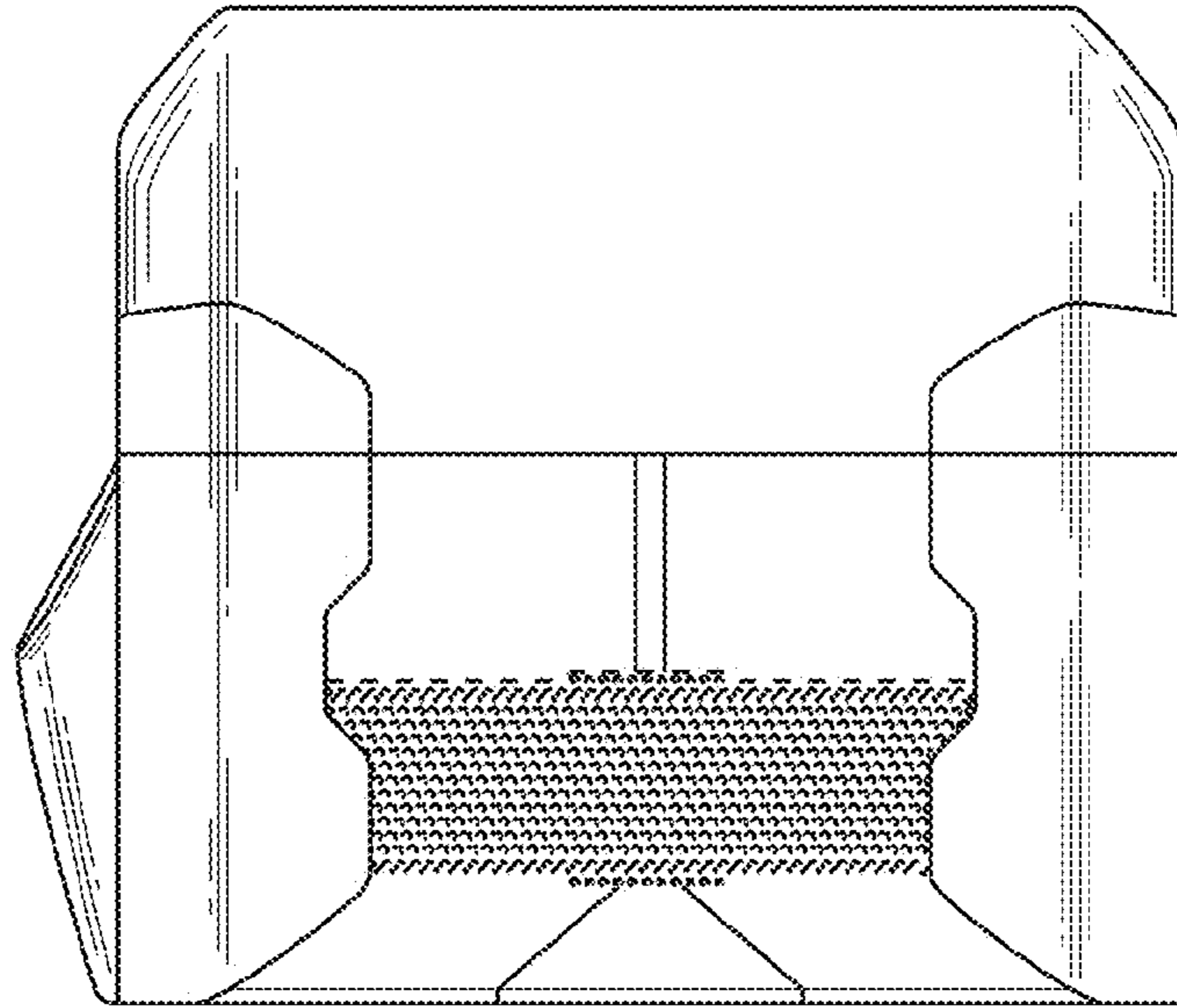


FIG. 8

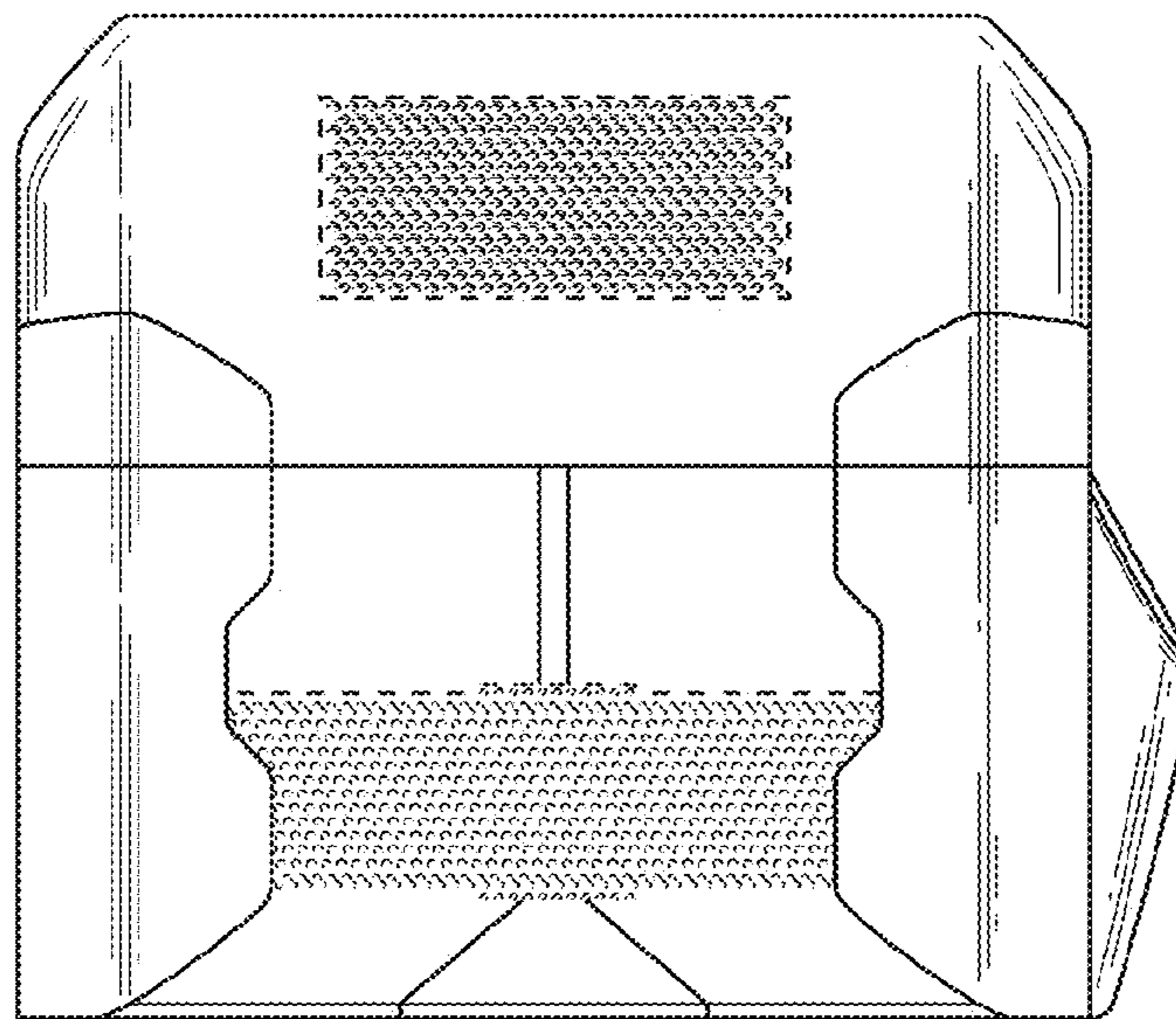


FIG. 9