



US00D765153S

(12) **United States Design Patent** (10) **Patent No.:** **US D765,153 S**
Shrader et al. (45) **Date of Patent:** **** Aug. 30, 2016**

(54) **DISPENSER FOR A REFRIGERATOR**

(71) Applicant: **Electrolux Home Products, Inc.**,
Charlotte, NC (US)

(72) Inventors: **Benjamin Shrader**, Charlotte, NC
(US); **Charles Baker**, Concord, NC
(US); **Scott King**, Charlotte, NC (US)

(73) Assignee: **Electrolux Home Products, Inc.**,
Charlotte, NC (US)

(**) Term: **15 Years**

(21) Appl. No.: **29/534,070**

(22) Filed: **Jul. 24, 2015**

(51) **LOC (10) Cl.** **15-07**

(52) **U.S. Cl.**
USPC **D15/89**

(58) **Field of Classification Search**

USPC D15/79-91
CPC F25B 21/02; F25B 2321/02; F25B 1/005;
F25B 2321/0252; F25B 1/00; F25B 1/10;
F25B 21/04; F25B 2339/047; F25B 5/02;
F25B 7/00; F25B 13/00; F25B 1/053; F25B
2309/06; F25B 2321/021; F25B 2321/023;
F25D 23/028; F25D 23/02; F25D 25/025;
F25D 23/00; F25D 2323/021; F25D 11/00;
F25D 2323/024; F25D 23/04; F25D 29/00;
F25D 25/02; F25D 25/024; F25D 27/005;
F25D 23/12; F25D 29/005; F25D 17/042;
F25D 2325/021

See application file for complete search history.

(56) **References Cited**

U.S. PATENT DOCUMENTS

D365,579 S * 12/1995 Baker D15/89
D379,095 S 5/1997 Sparks
D415,504 S 10/1999 Han
D449,624 S 10/2001 Yu

D449,625 S 10/2001 Yu
D477,336 S 7/2003 Kwak et al.
D496,055 S 9/2004 Kim
D505,139 S 5/2005 Jackovin
D508,249 S 8/2005 Seok et al.
D508,925 S 8/2005 Seok et al.
D509,836 S 9/2005 Choi et al.
D512,081 S 11/2005 Chang
D513,015 S 12/2005 Doh et al.
D515,597 S 2/2006 Park et al.
D518,833 S 4/2006 Kwak et al.

(Continued)

FOREIGN PATENT DOCUMENTS

CA 104850 A 4/1907
CA 109336 A 12/1907

(Continued)

OTHER PUBLICATIONS

U.S. Appl. No. 29/534,069, filed Jul. 24, 2015.

Primary Examiner — Daniel Bui

Assistant Examiner — Khawaja Anwar

(74) *Attorney, Agent, or Firm* — Banner & Witcoff, Ltd.

(57) **CLAIM**

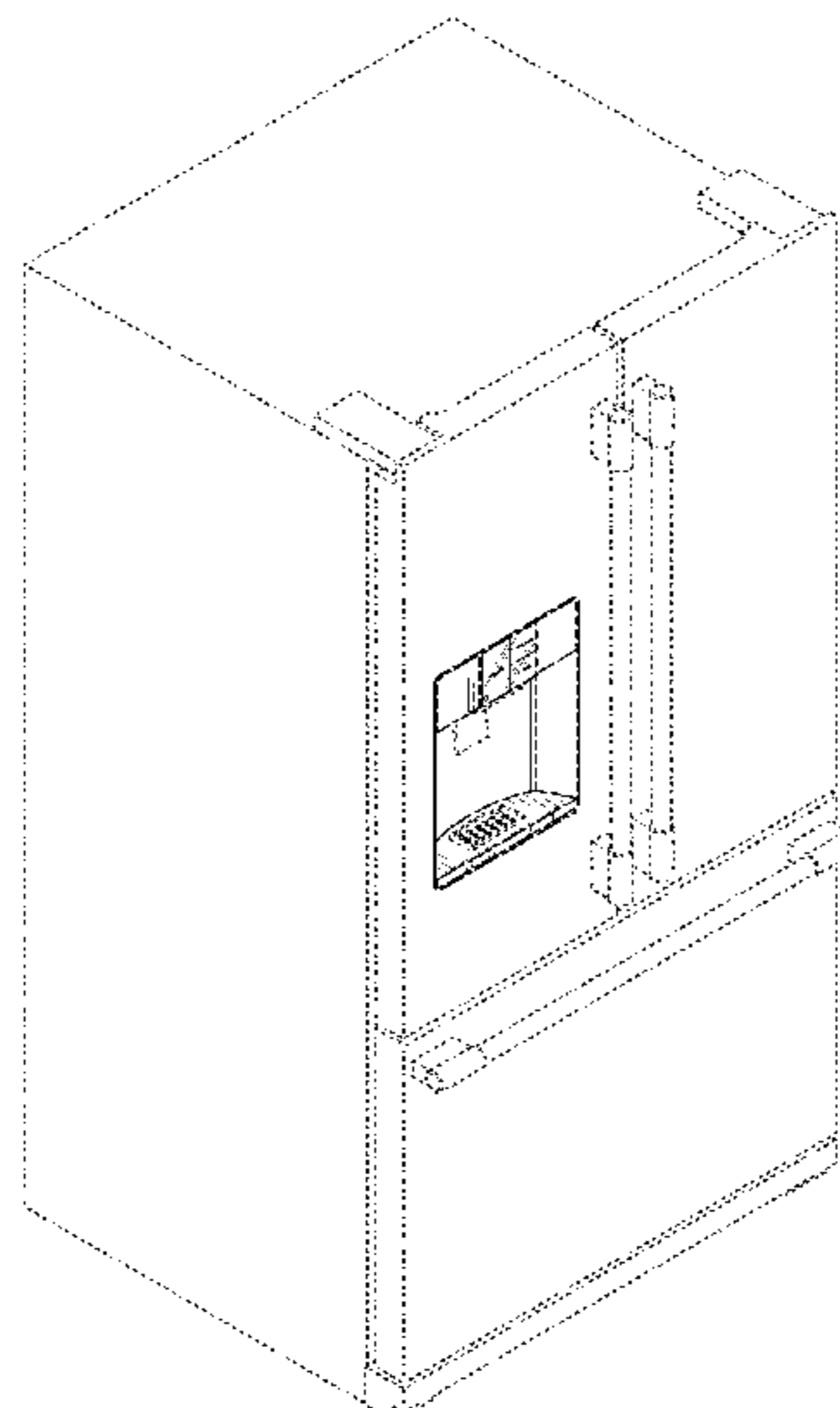
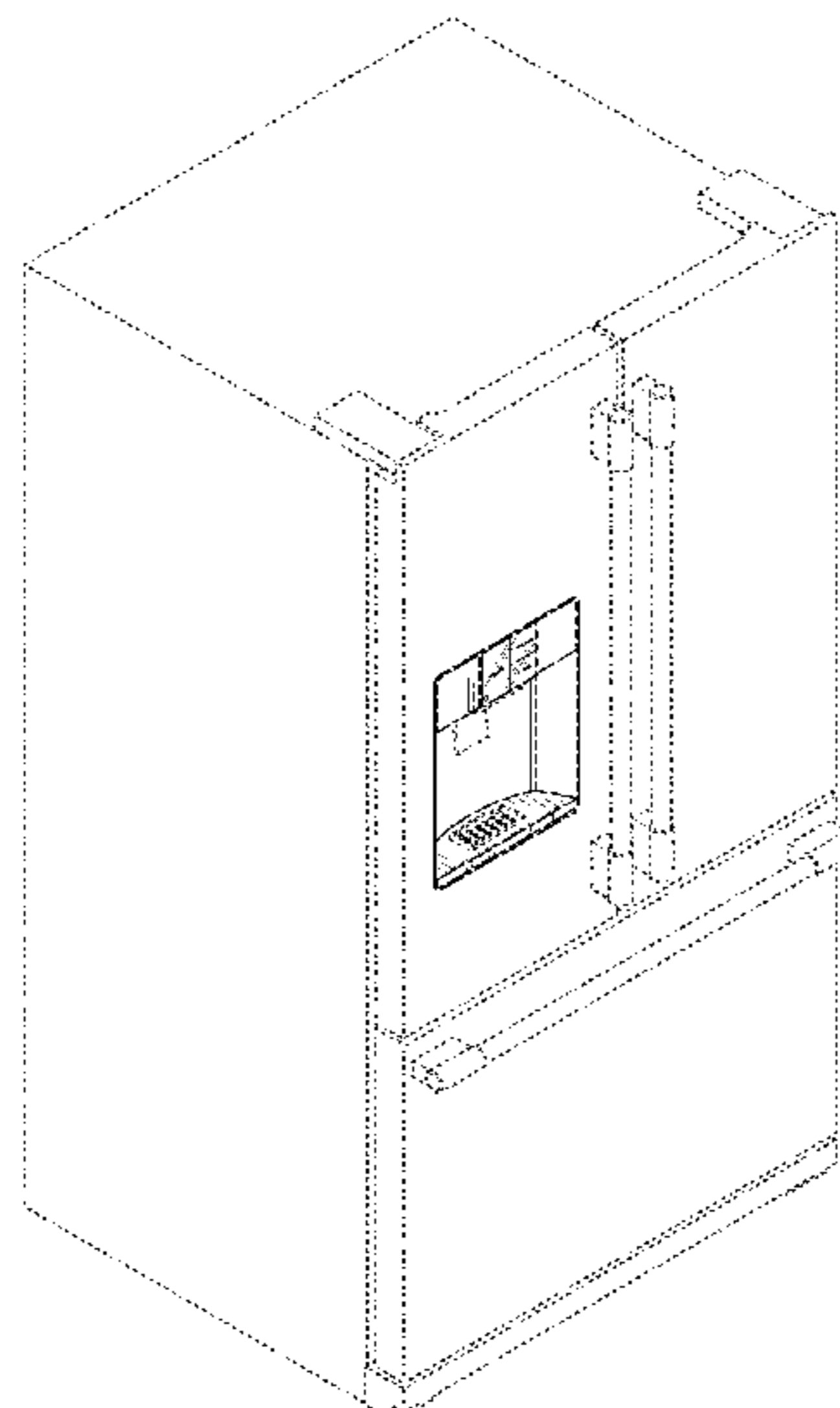
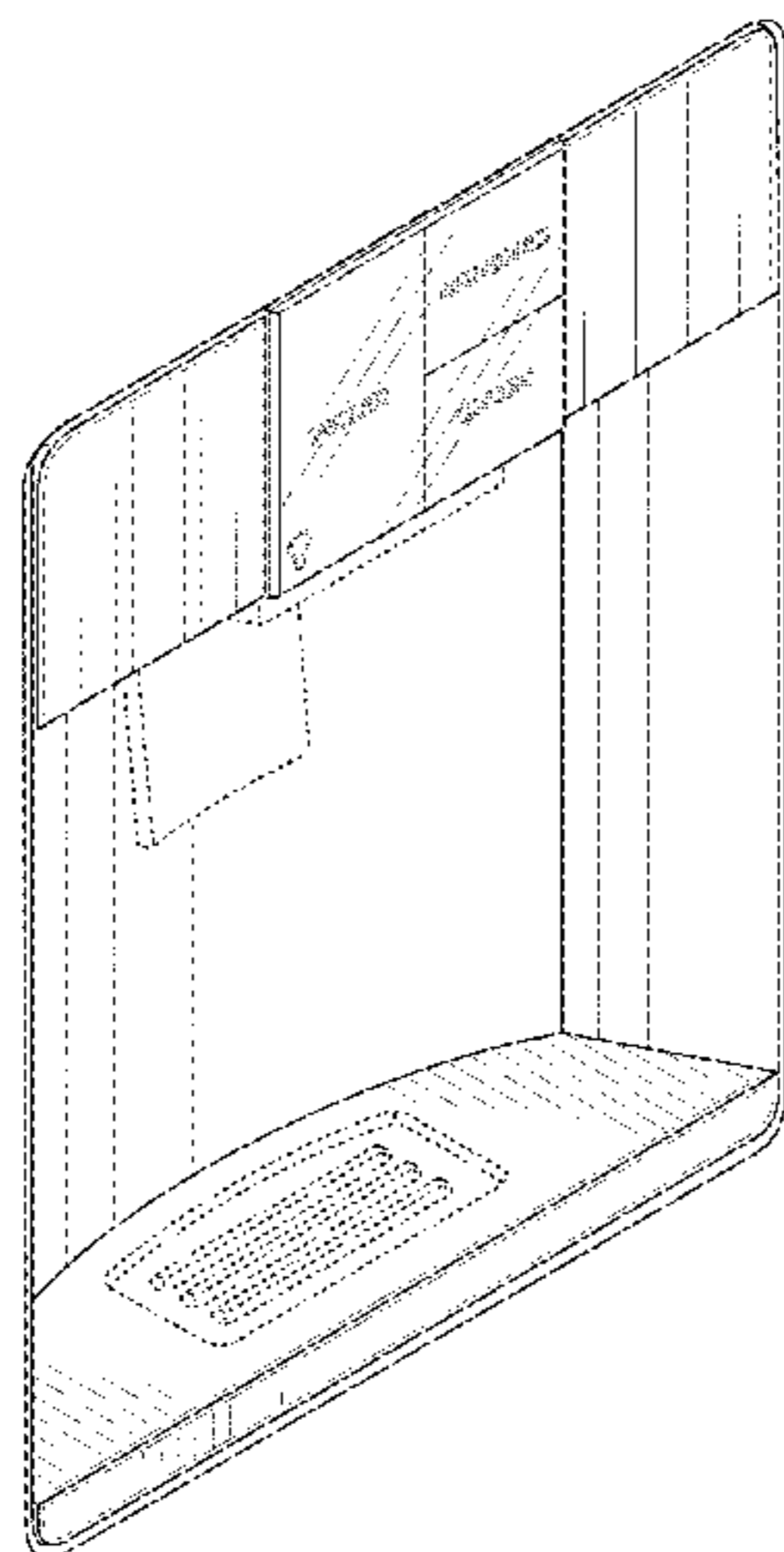
The ornamental design for a dispenser for a refrigerator, as shown and described.

DESCRIPTION

FIG. 1 is a front perspective view of a dispenser for a refrigerator showing our new design; FIG. 2 is a front view thereof; and, FIG. 3 is another front perspective view thereof, in use condition.

The broken line showing of the text and icon on raised surface, the dispenser mechanism, the interior of the drip recess, and the remainder of the refrigerator in FIG. 3 is for environmental purposes only and forms no part of the claimed design.

1 Claim, 3 Drawing Sheets



(56)

References Cited

U.S. PATENT DOCUMENTS

D522,540 S 6/2006 Cho et al.
 D522,541 S 6/2006 Kim et al.
 D523,033 S 6/2006 Kim et al.
 D525,993 S 8/2006 Kim et al.
 D527,396 S 8/2006 Kim et al.
 D527,397 S 8/2006 Kim et al.
 D527,745 S 9/2006 Kim et al.
 D527,746 S 9/2006 Kim et al.
 D527,747 S 9/2006 Kim et al.
 D533,884 S 12/2006 Kim et al.
 D533,885 S 12/2006 Yang
 D534,554 S 1/2007 Kim et al.
 D534,555 S 1/2007 Kim et al.
 D536,712 S 2/2007 Kim
 D545,845 S 7/2007 Choi et al.
 D550,723 S 9/2007 Meehan et al.
 D556,792 S 12/2007 Moran et al.
 D557,292 S 12/2007 Lee et al.
 D558,800 S 1/2008 Byun et al.
 D562,360 S 2/2008 Choi
 D567,260 S 4/2008 Kim et al.
 D567,261 S 4/2008 Crookshanks
 D567,262 S 4/2008 Crookshanks
 D568,343 S 5/2008 Suh et al.
 D568,913 S * 5/2008 Suh D15/89
 D582,443 S * 12/2008 Kim D15/89
 D601,175 S 9/2009 Staud et al.
 D639,616 S 6/2011 Krapfl et al.

D730,955 S * 6/2015 Hwang D15/89
 D733,774 S * 7/2015 Moon D15/91
 2005/0268638 A1* 12/2005 Voglewede F25D 23/126
 62/389

FOREIGN PATENT DOCUMENTS

CA 109337 A 12/1907
 CA 109338 A 12/1907
 CA 116215 A 1/1909
 CA 117335 A 3/1909
 CA 117441 A 3/1909
 CA 117442 A 3/1909
 CA 121641 A 11/1909
 CA 122038 A 11/1909
 CA 122039 A 11/1909
 CA 122040 A 11/1909
 CA 123873 A 2/1910
 CA 123874 A 2/1910
 CA 123875 A 2/1910
 CA 123876 A 2/1910
 CA 125192 A 4/1910
 CA 127782 A 8/1910
 CA 133513 A 6/1911
 CA 133720 A 6/1911
 CA 144125 A 11/1912
 CA 145854 A 2/1913
 CA 150147 A 8/1913
 CA 150628 A 9/1913
 CA 150629 A 9/1913
 CA 150630 A 9/1913
 CA 151818 A 11/1913
 CA 151821 A 11/1913

* cited by examiner

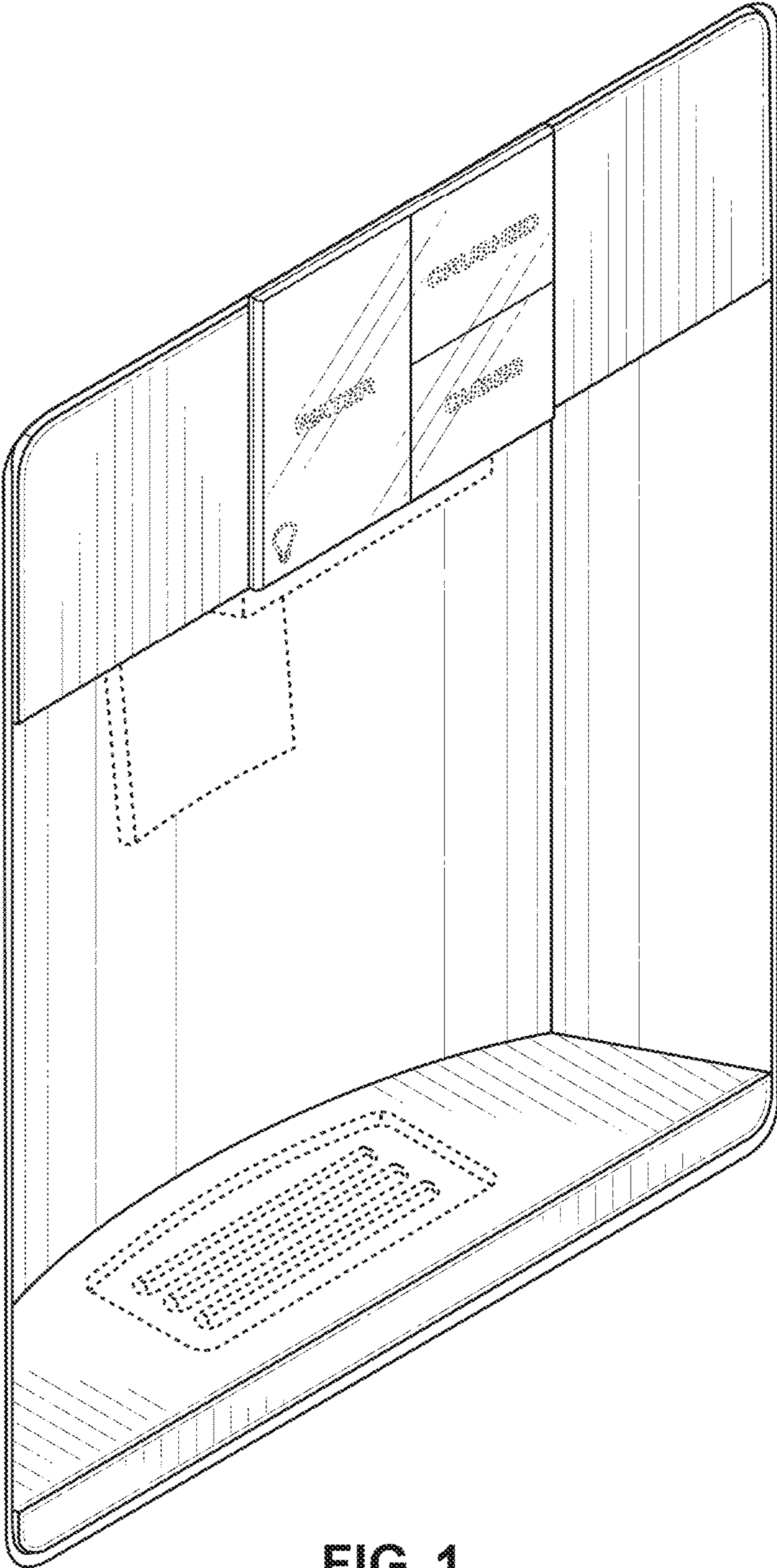


FIG. 1

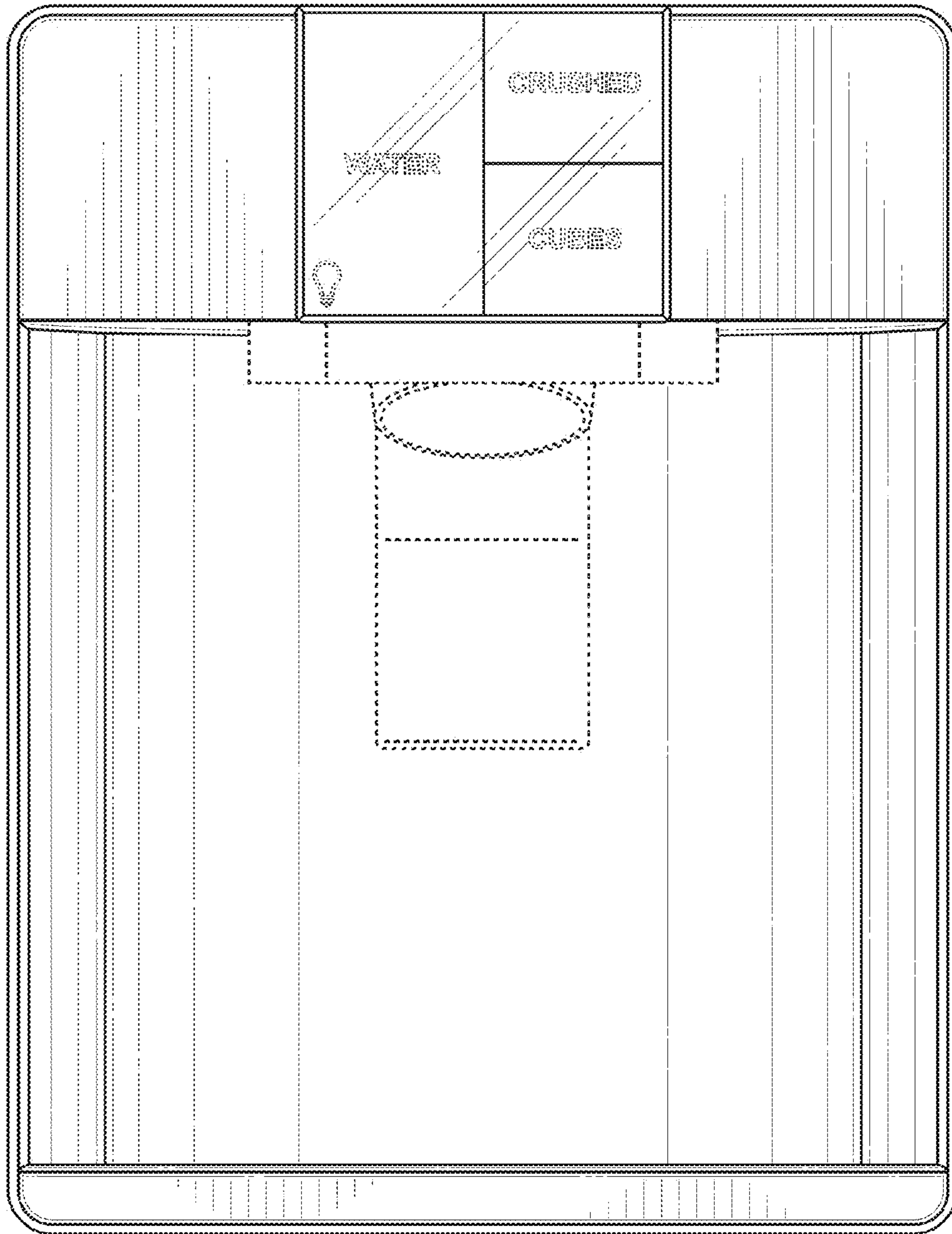


FIG. 2

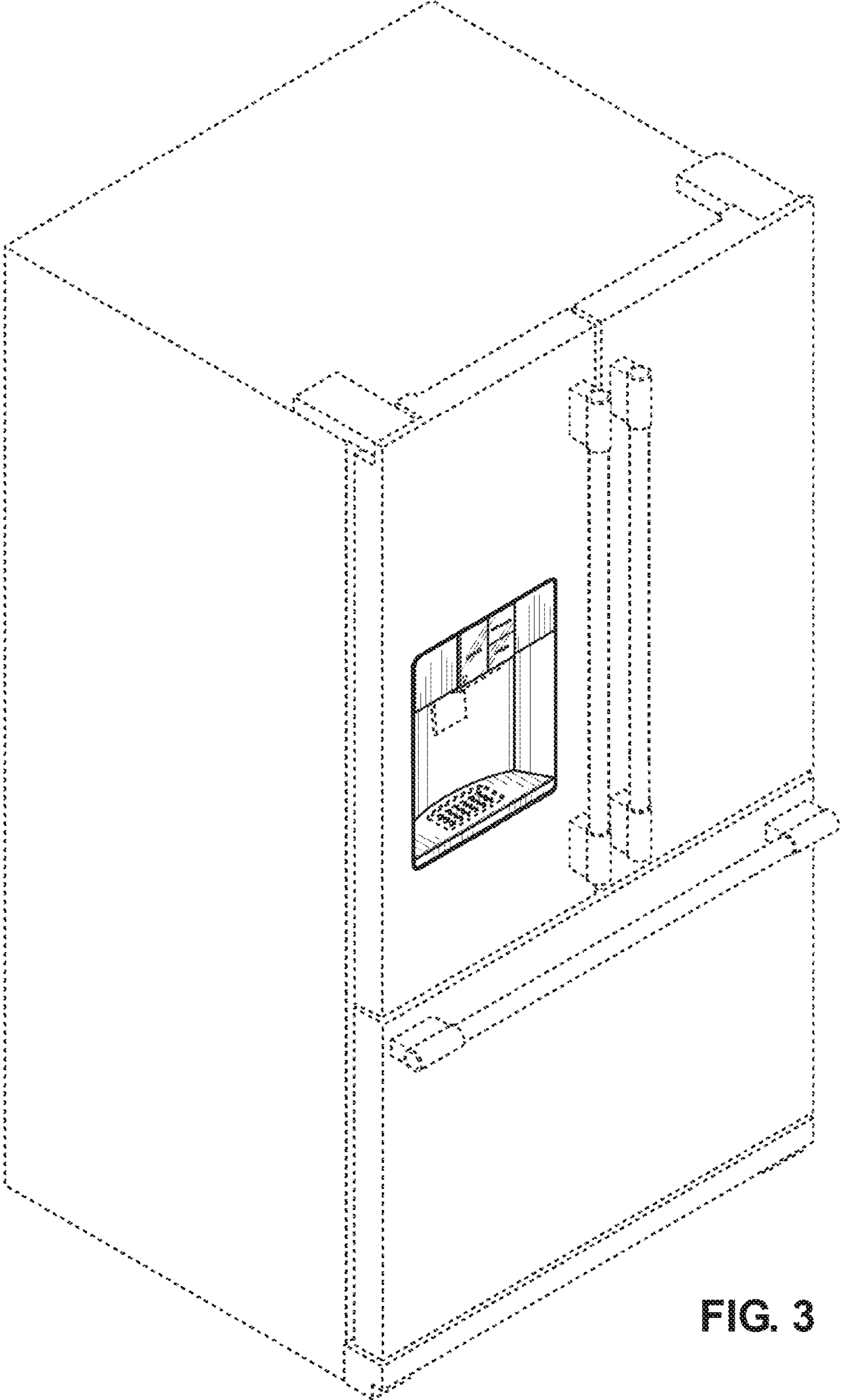


FIG. 3