



US00D765150S

(12) **United States Design Patent** (10) **Patent No.:** **US D765,150 S**  
**Asano** (45) **Date of Patent:** **\*\* Aug. 30, 2016**

- (54) **SEWING MACHINE**
- (71) Applicant: **BROTHER INDUSTRIES, LTD.**,  
Nagoya-shi, Aichi-ken (JP)
- (72) Inventor: **Masahide Asano**, Nagoya (JP)
- (73) Assignee: **BROTHER INDUSTRIES, LTD.**,  
Nagoya (JP)
- (\*\*) Term: **15 Years**
- (21) Appl. No.: **29/528,565**
- (22) Filed: **May 29, 2015**
- (51) **LOC (10) Cl.** ..... **15-03**
- (52) **U.S. Cl.**  
USPC ..... **D15/69**
- (58) **Field of Classification Search**  
USPC ..... D15/66, 69-76, 78  
CPC ..... D05B 1/00-25/00  
See application file for complete search history.

- D301,888 S \* 6/1989 Kuroki ..... D15/69
- D523,030 S \* 6/2006 Muto ..... D15/69
- D524,829 S \* 7/2006 Muto ..... D15/69
- D529,054 S \* 9/2006 Hosoi ..... D15/69
- D534,930 S \* 1/2007 Hosoi ..... D15/69
- D664,160 S 7/2012 Asano et al.
- D678,363 S \* 3/2013 Asano ..... D15/69
- D679,297 S \* 4/2013 Asano ..... D15/69

\* cited by examiner

*Primary Examiner* — Mitchell Siegel

(74) *Attorney, Agent, or Firm* — Oliff PLC

(57) **CLAIM**

The ornamental design for a sewing machine, as shown and described.

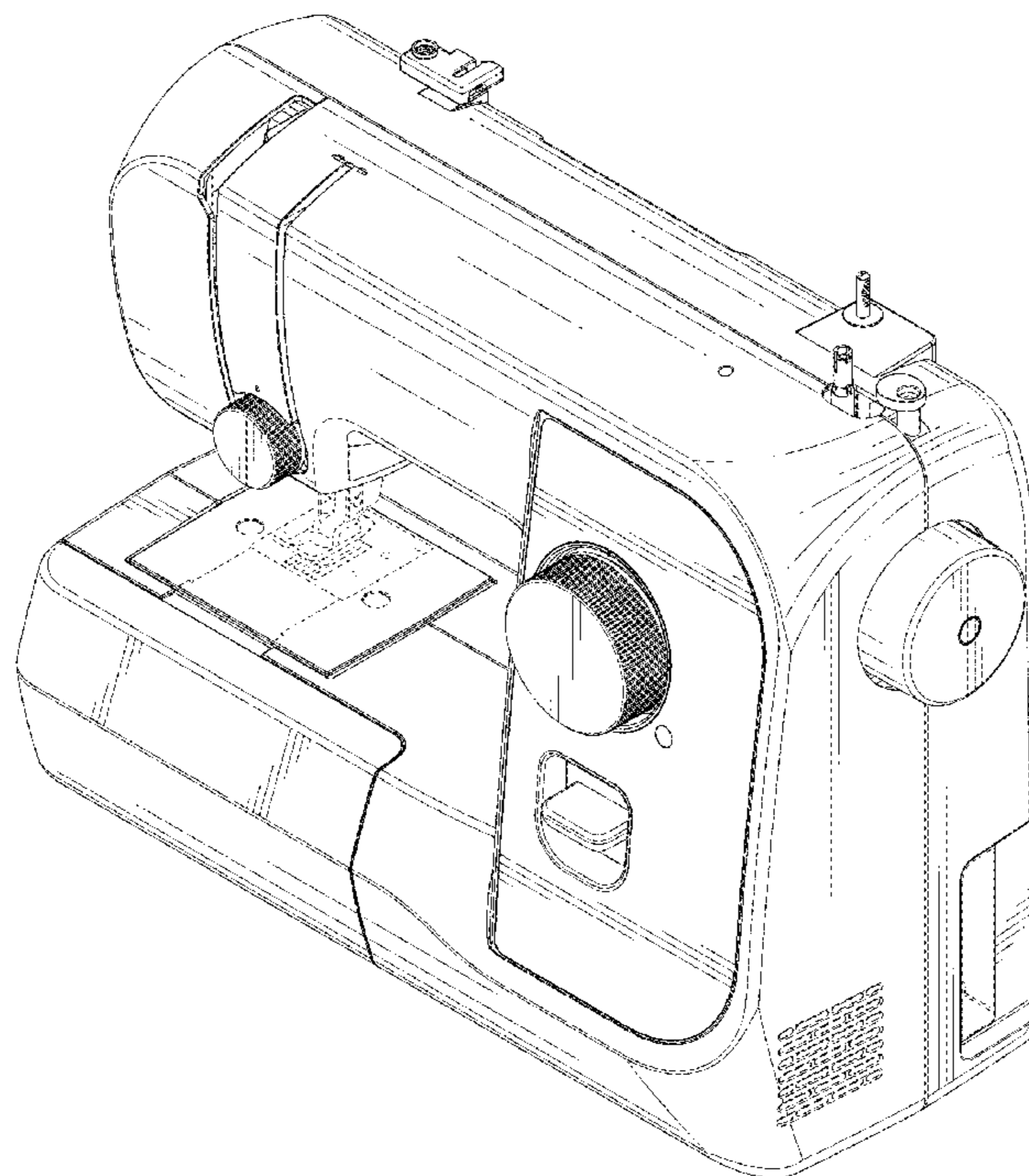
**DESCRIPTION**

FIG. 1 is a perspective view of a sewing machine;  
 FIG. 2 is a front view thereof;  
 FIG. 3 is a top view thereof;  
 FIG. 4 is a right-side view thereof;  
 FIG. 5 is a left-side view thereof;  
 FIG. 6 is a rear view thereof; and,  
 FIG. 7 is a bottom view thereof.

The broken lines depict environmental subject matter only and form no part of the claimed design.

**1 Claim, 7 Drawing Sheets**

- (56) **References Cited**  
U.S. PATENT DOCUMENTS  
D292,929 S \* 11/1987 Yoneda ..... D15/69  
D293,115 S \* 12/1987 Kuroki ..... D15/69



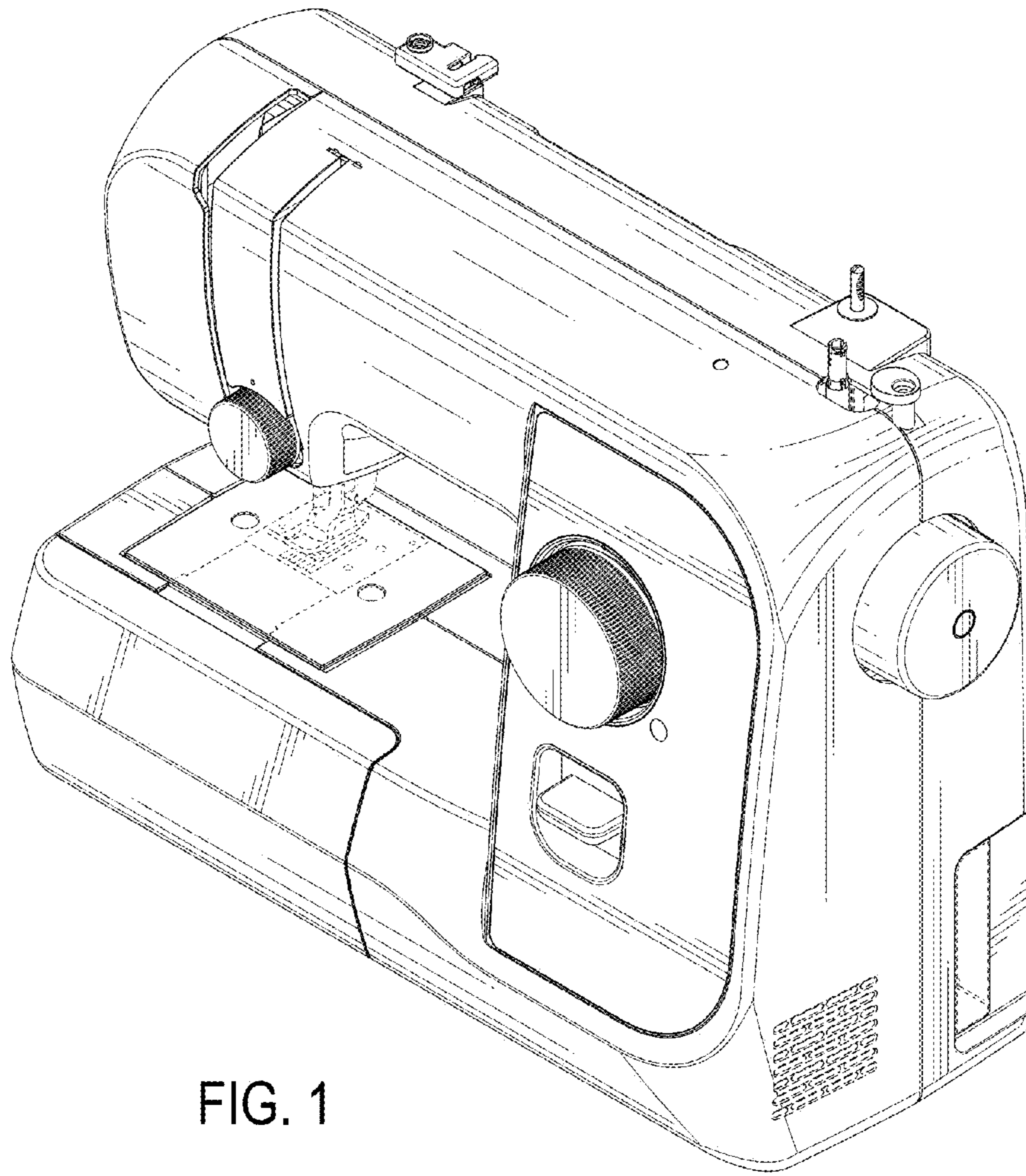


FIG. 1

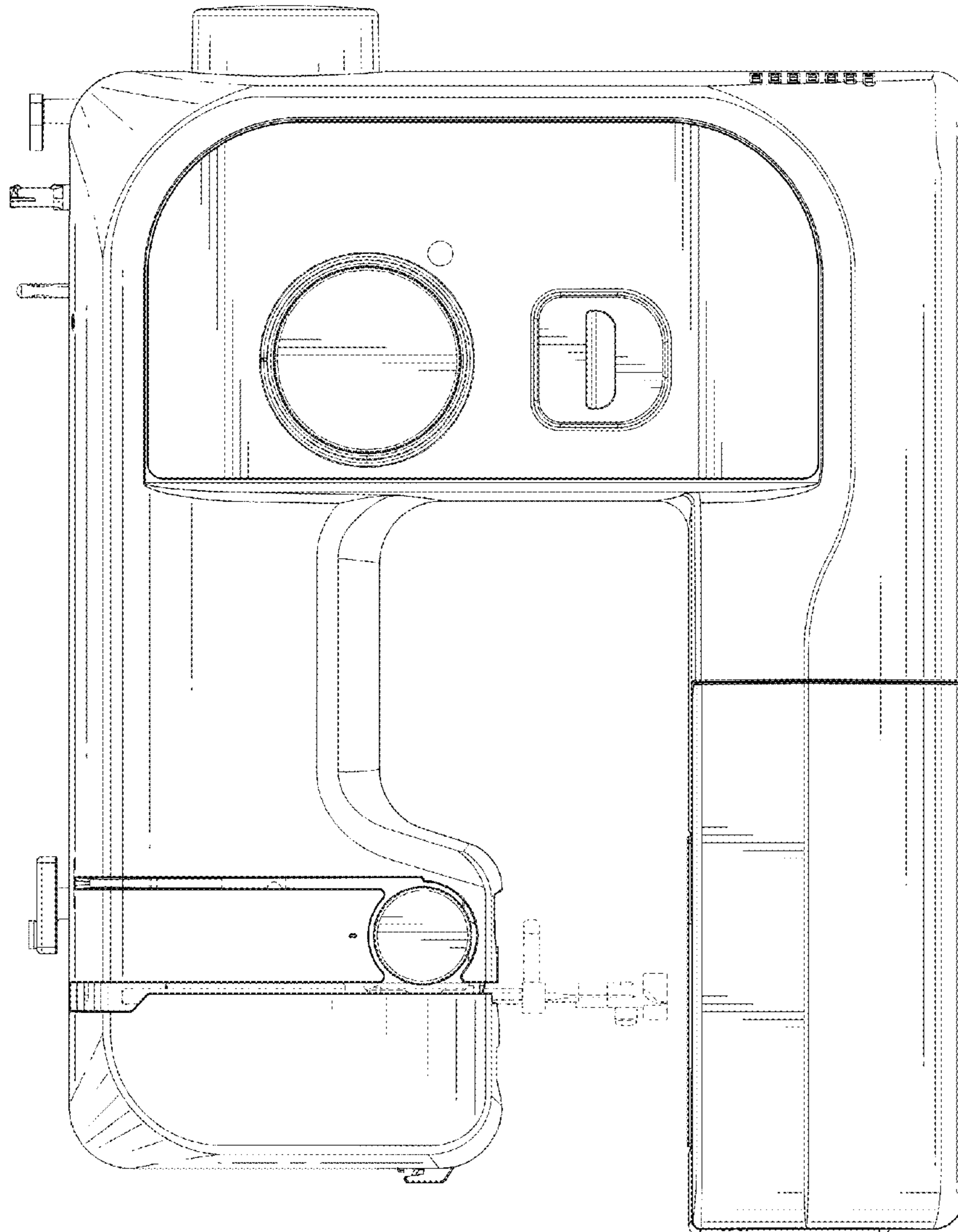


FIG. 2

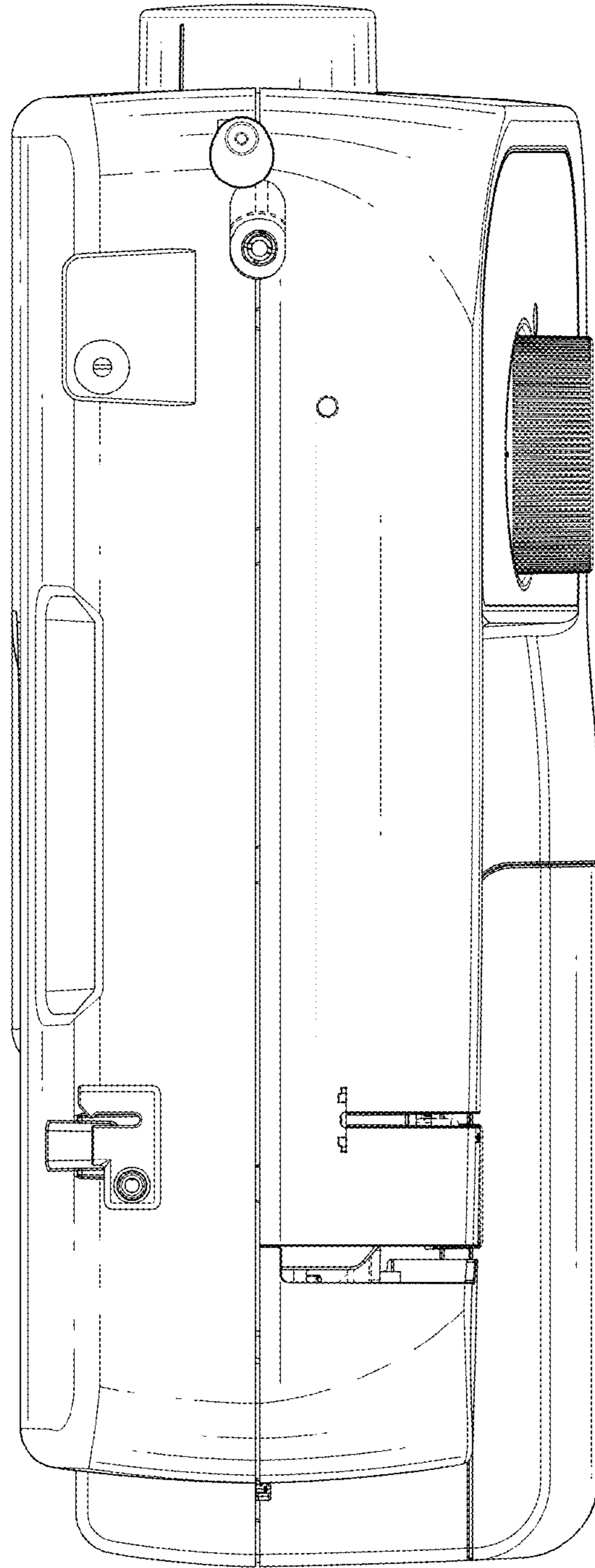


FIG. 3

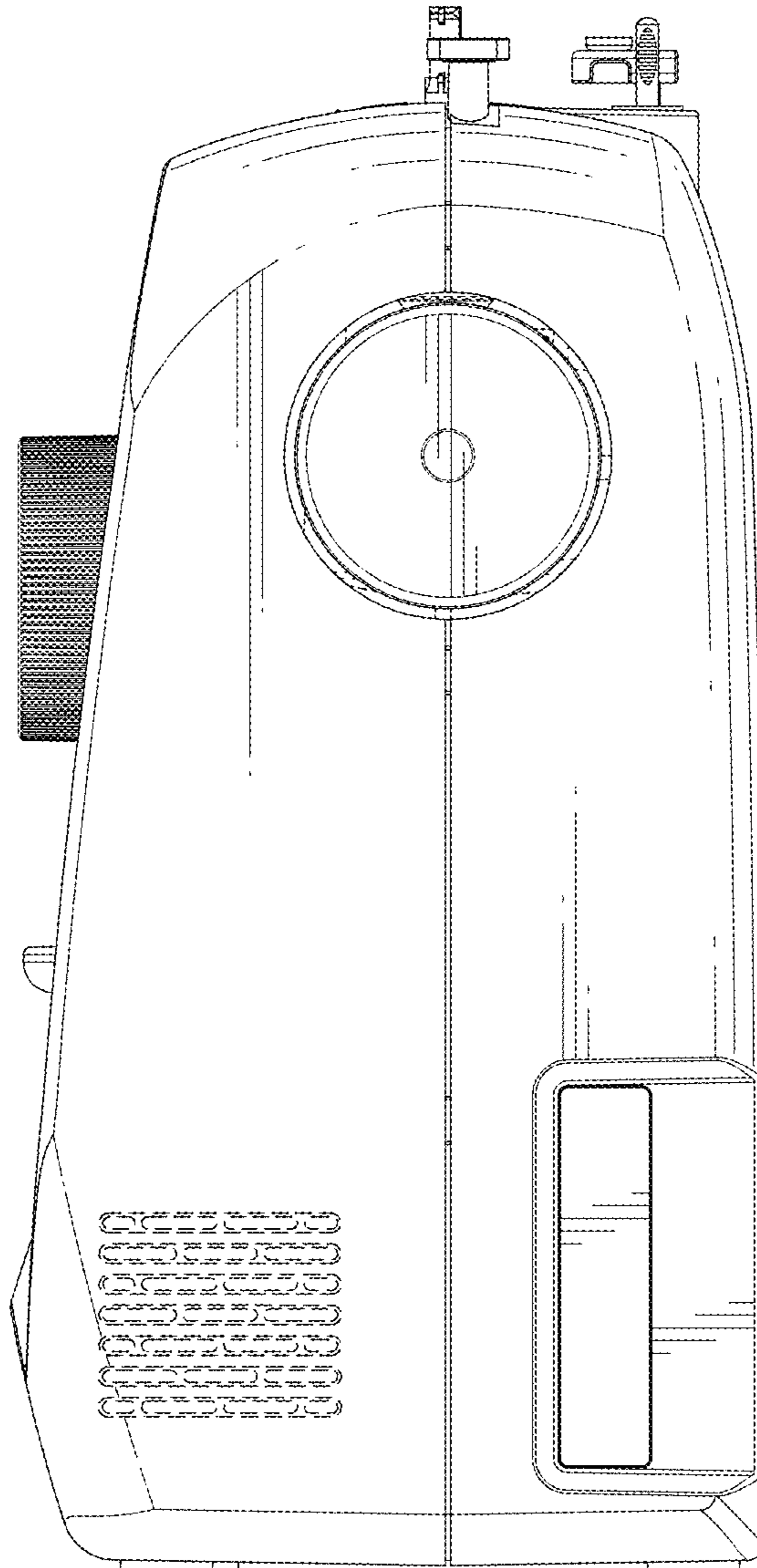


FIG. 4

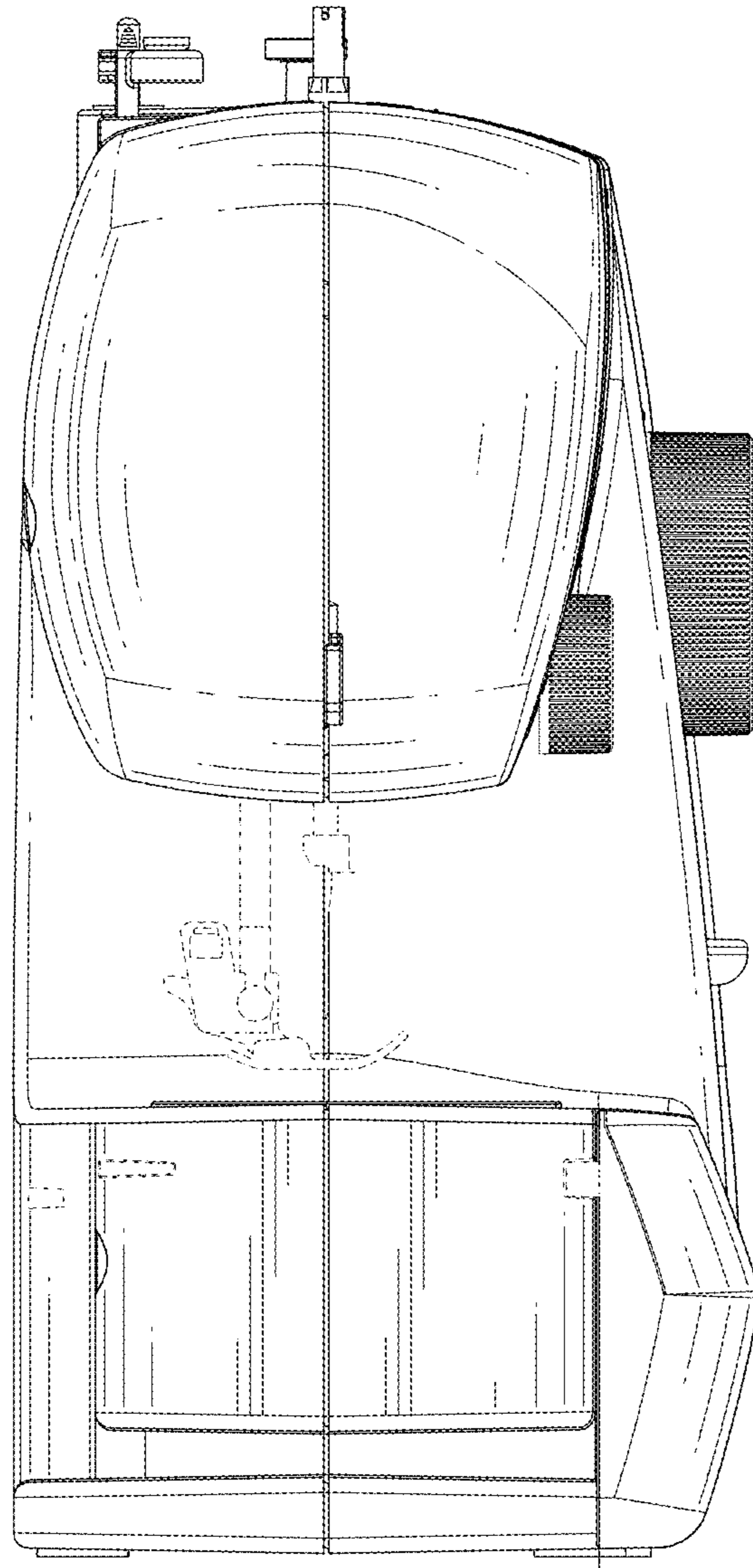


FIG. 5

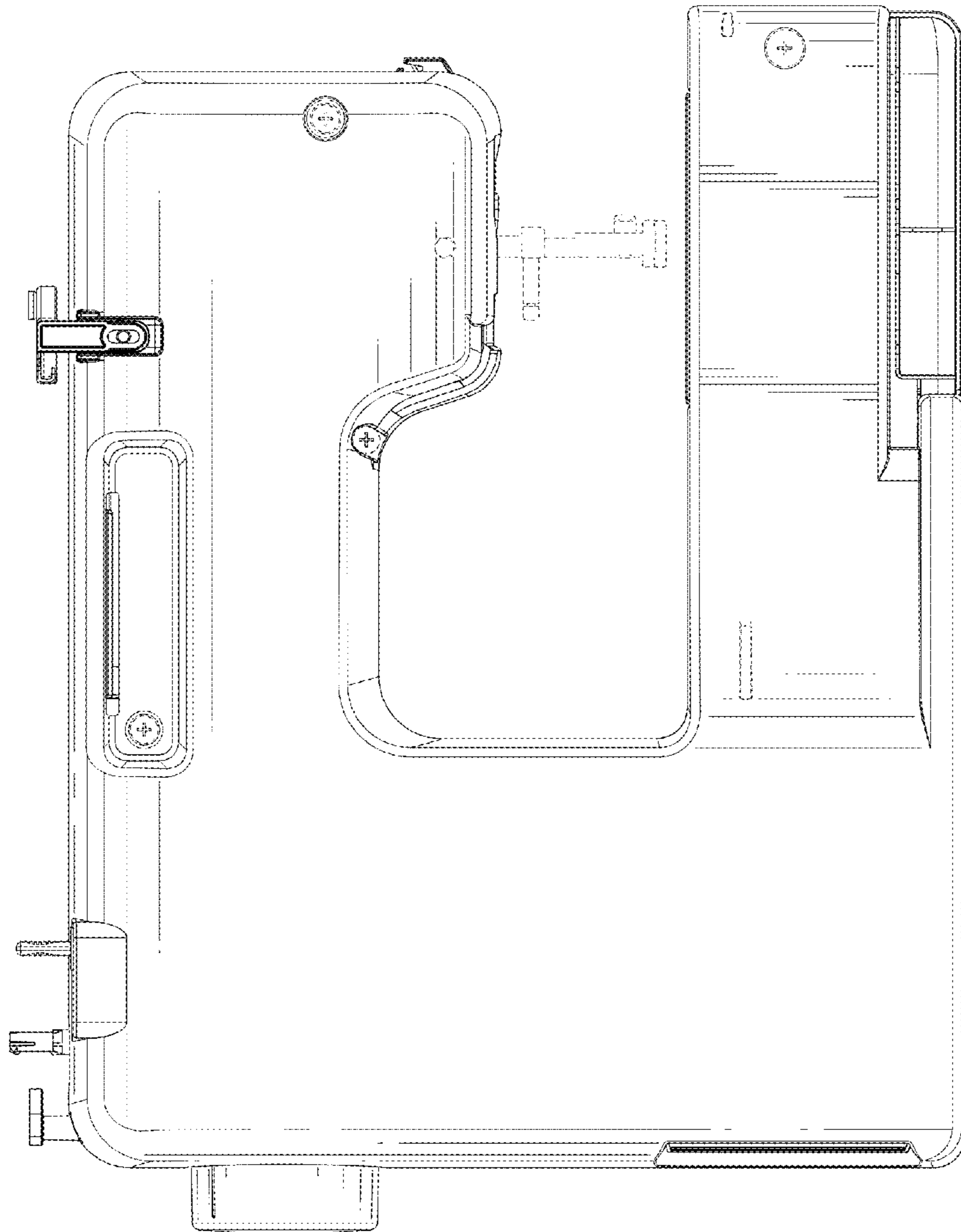


FIG. 6

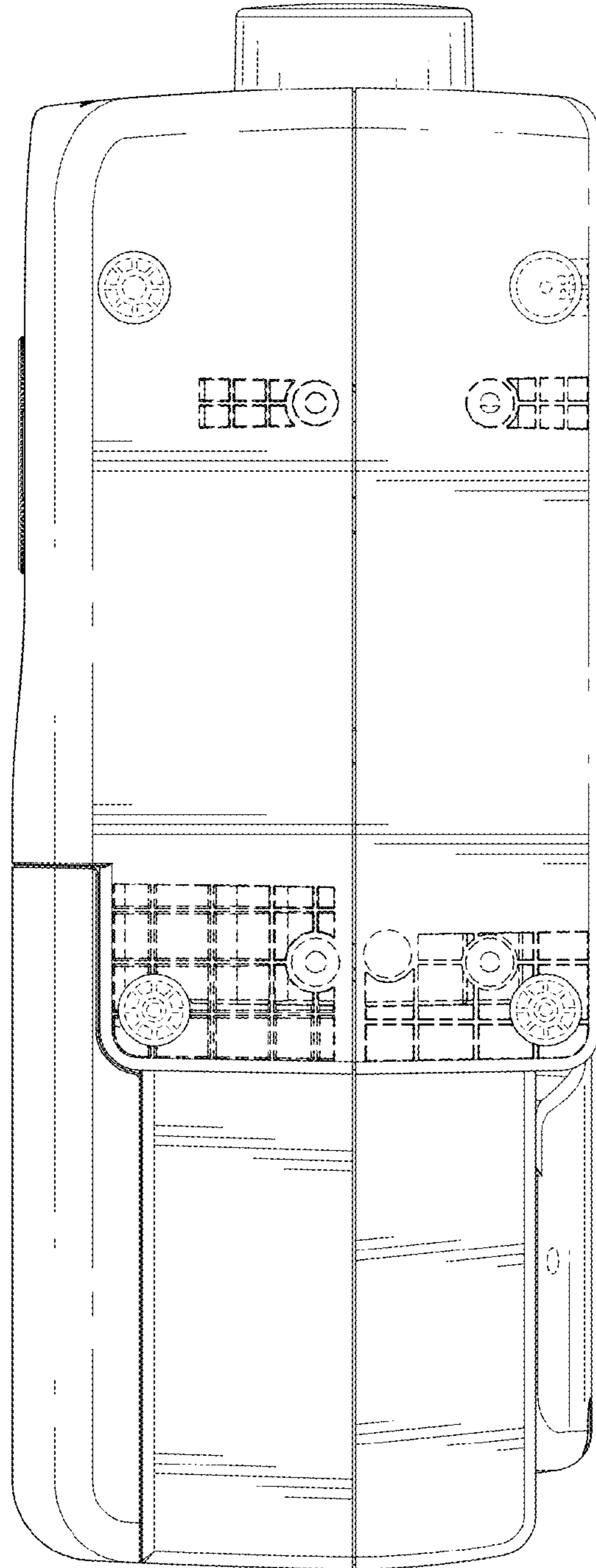


FIG. 7