



US00D765149S

(12) **United States Design Patent**  
**Yamamoto et al.**

(10) **Patent No.:** **US D765,149 S**

(45) **Date of Patent:** **\*\* Aug. 30, 2016**

(54) **SEWING MACHINE**

(71) Applicant: **JUKI CORPORATION**, Tama-shi,  
Tokyo (JP)

(72) Inventors: **Shigemi Yamamoto**, Komae (JP);  
**Syuuichi Saitou**, Hachioji (JP); **Yuuko Takemoto**,  
Yokohama (JP)

(73) Assignee: **JUKI CORPORATION**, Tokyo (JP)

(\*\*) Term: **15 Years**

(21) Appl. No.: **29/527,872**

(22) Filed: **May 22, 2015**

(30) **Foreign Application Priority Data**

Apr. 28, 2015 (JP) ..... 2015-009628

(51) **LOC (10) Cl.** ..... **15-03**

(52) **U.S. Cl.**  
USPC ..... **D15/69**

(58) **Field of Classification Search**  
USPC ..... D15/66, 69-76, 78  
CPC ..... D05B 1/00-25/00  
See application file for complete search history.

(56) **References Cited**

**U.S. PATENT DOCUMENTS**

D403,333 S \* 12/1998 Takada ..... D15/70  
D430,886 S \* 9/2000 Yamamoto ..... D15/69

D450,720 S \* 11/2001 Kuroki ..... D15/69  
D515,109 S \* 2/2006 Iwai ..... D15/69  
D515,111 S \* 2/2006 Egami ..... D15/69  
D591,312 S \* 4/2009 Mori ..... D15/69  
D628,605 S \* 12/2010 Mutoh ..... D15/69  
D671,567 S \* 11/2012 Muto ..... D15/69  
D691,181 S \* 10/2013 Asano ..... D15/69  
D709,923 S \* 7/2014 Muto ..... D15/69  
D720,372 S \* 12/2014 Kanai ..... D15/69  
D724,110 S \* 3/2015 Asano ..... D15/69  
D724,111 S \* 3/2015 Asano ..... D15/69  
D725,684 S \* 3/2015 Muto ..... D15/69  
D725,685 S \* 3/2015 Muto ..... D15/69

\* cited by examiner

*Primary Examiner* — Mitchell Siegel

(74) *Attorney, Agent, or Firm* — Holtz, Holtz & Volek PC

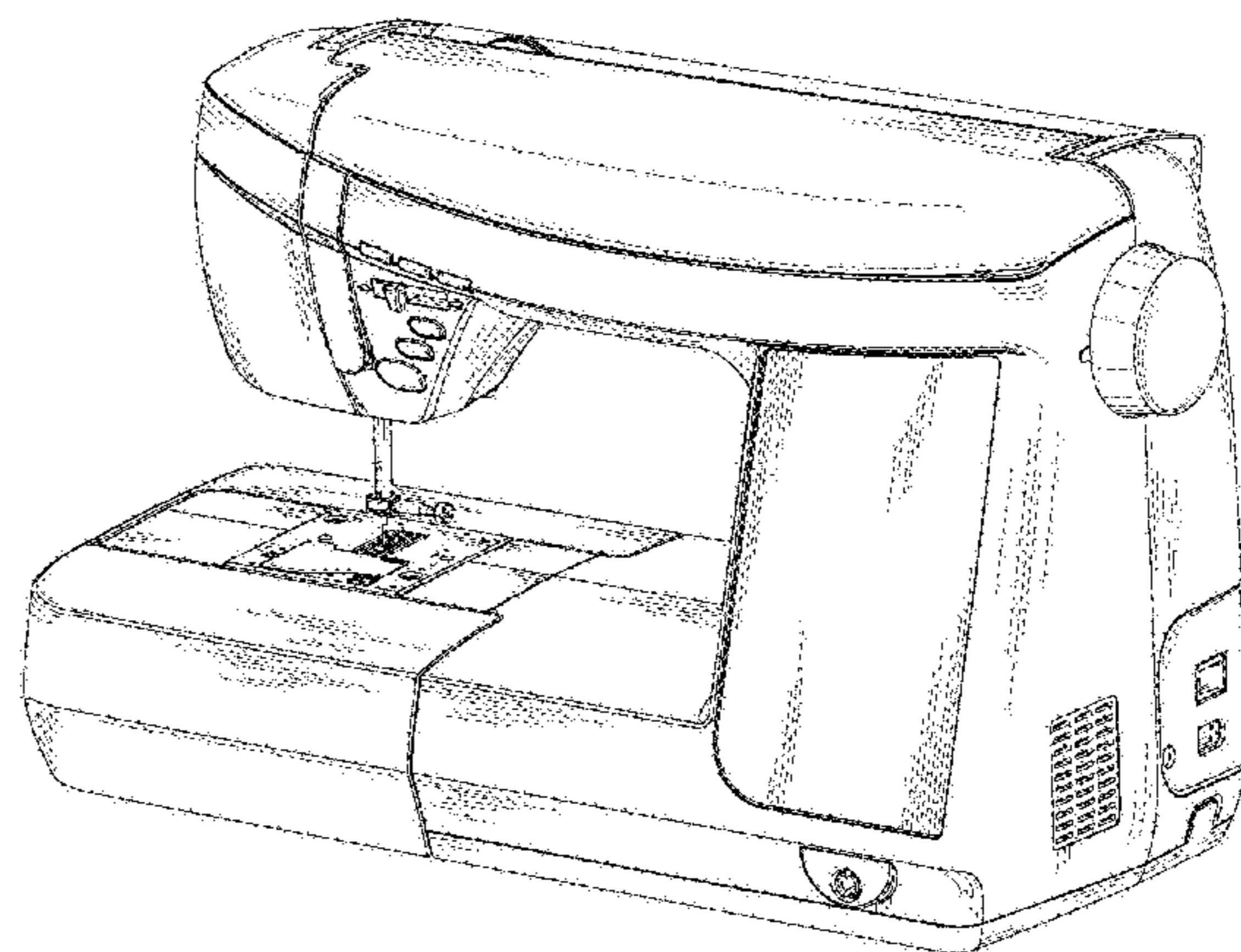
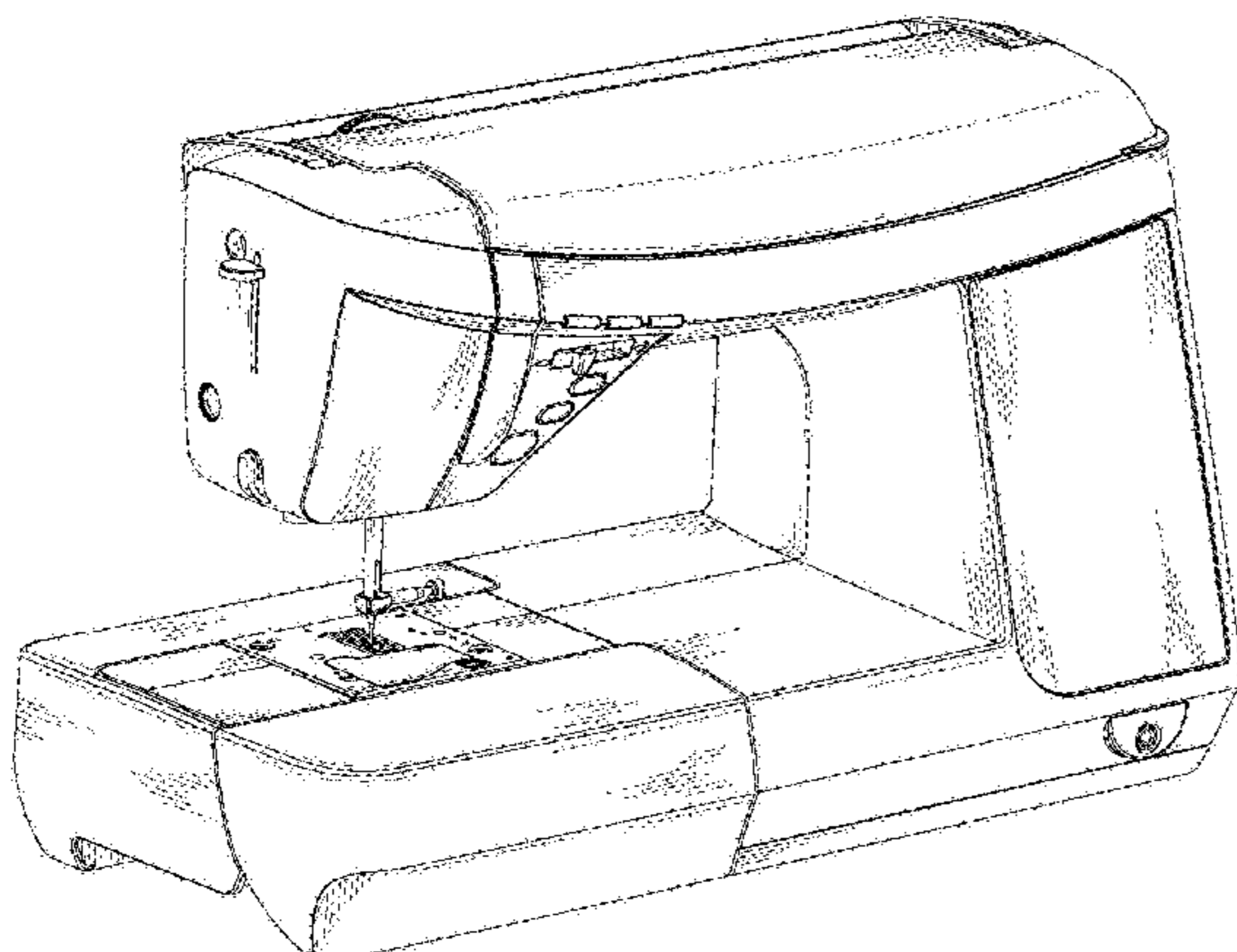
(57) **CLAIM**

The ornamental design for a sewing machine, as shown.

**DESCRIPTION**

FIG. 1 is a top, front and left side perspective view of a sewing machine showing our new design;  
FIG. 2 is a top, front and right side perspective view thereof;  
FIG. 3 is a front elevational view thereof;  
FIG. 4 is a rear elevational view thereof;  
FIG. 5 is a top plan view thereof;  
FIG. 6 is a bottom plan view thereof;  
FIG. 7 is a left side elevational view thereof; and,  
FIG. 8 is a right side elevational view thereof.

**1 Claim, 8 Drawing Sheets**



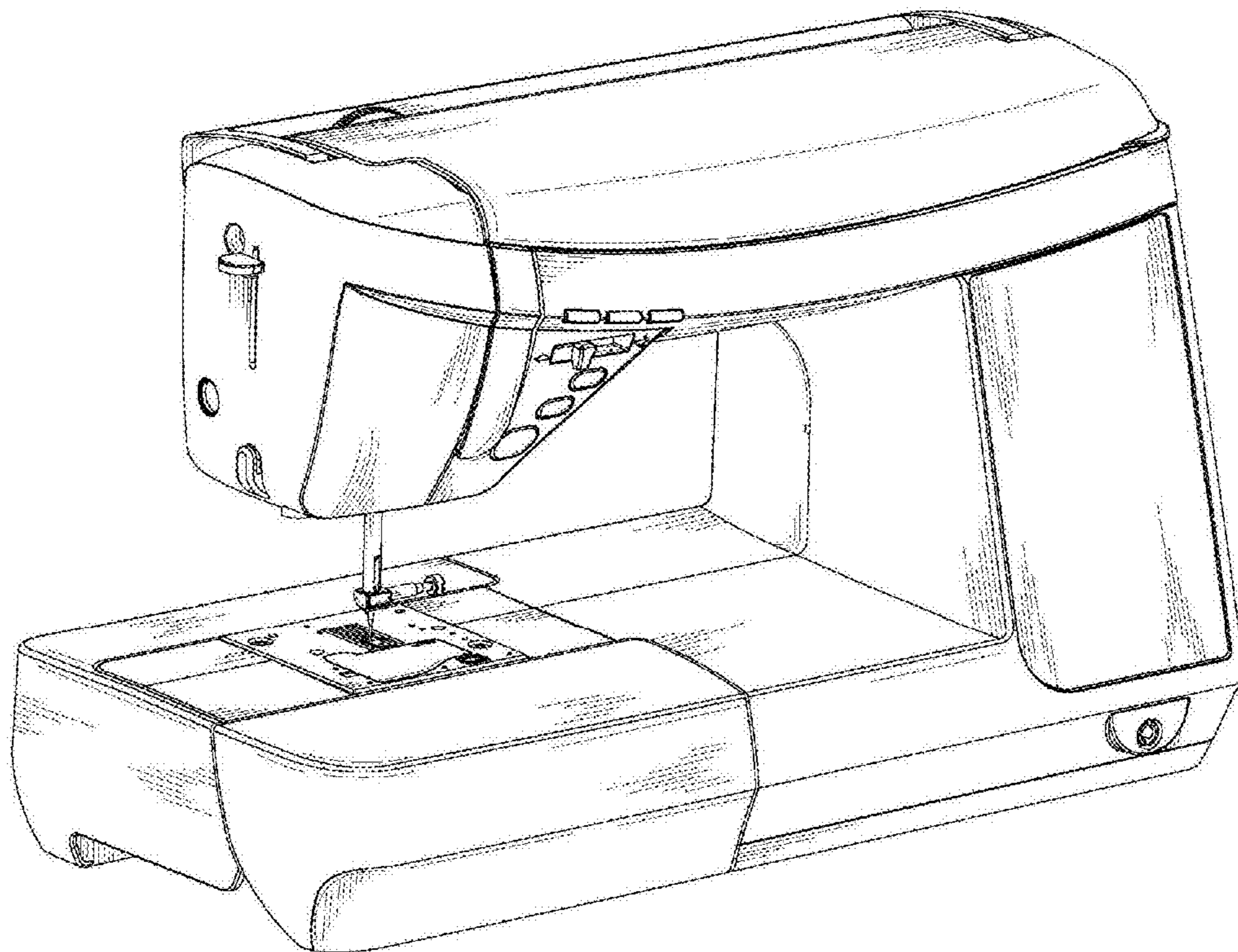


FIG. 1

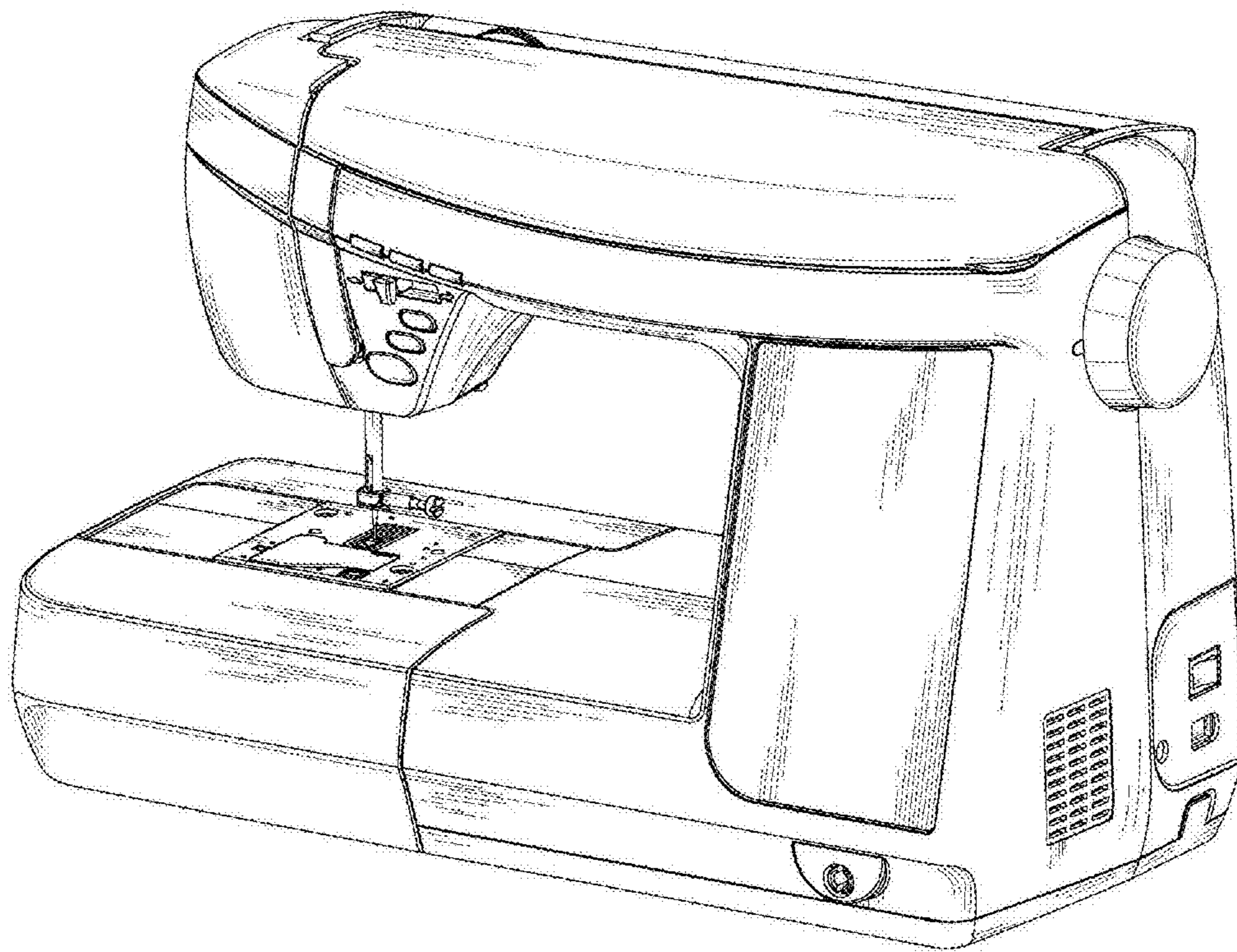


FIG. 2

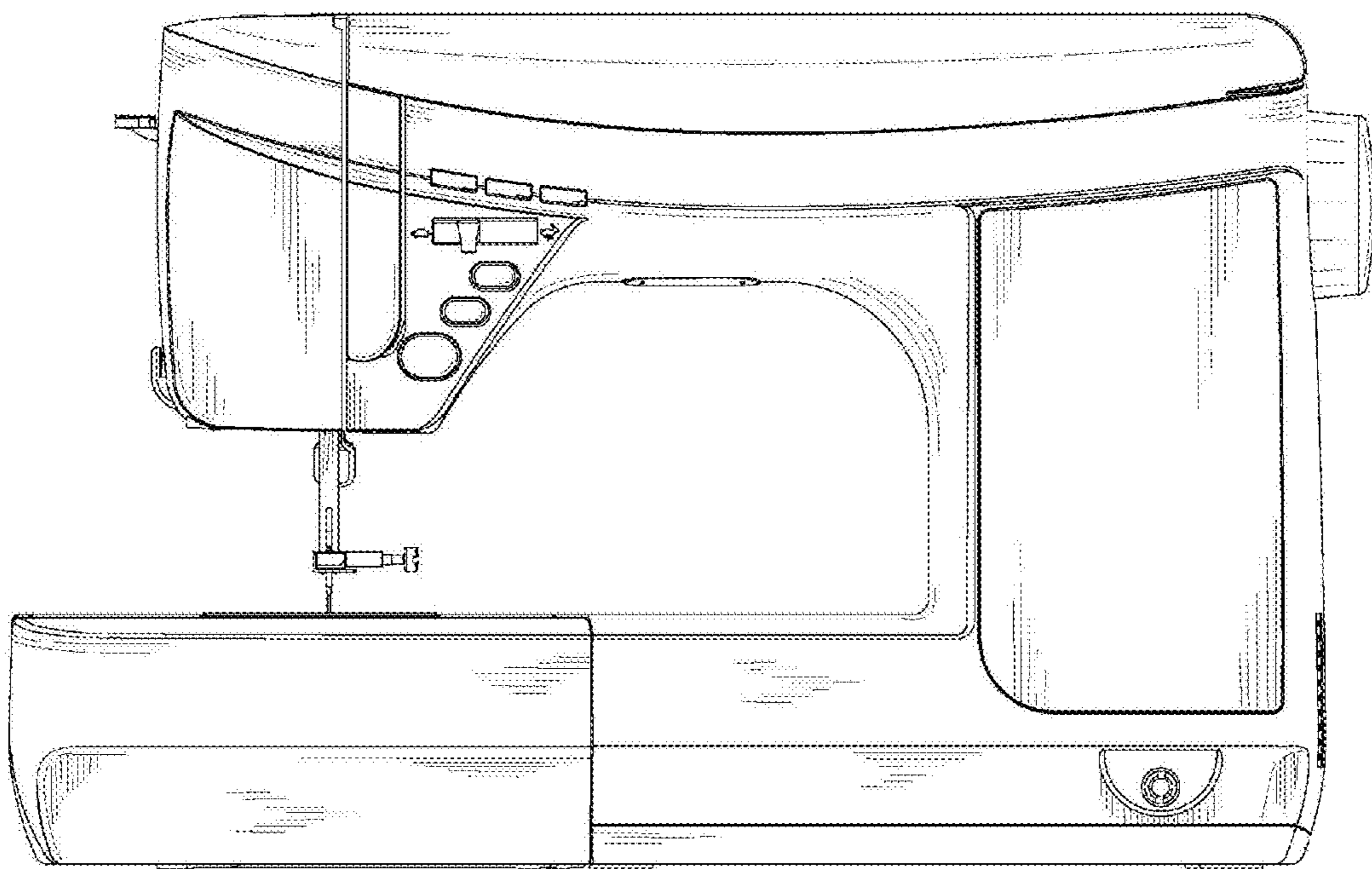


FIG. 3

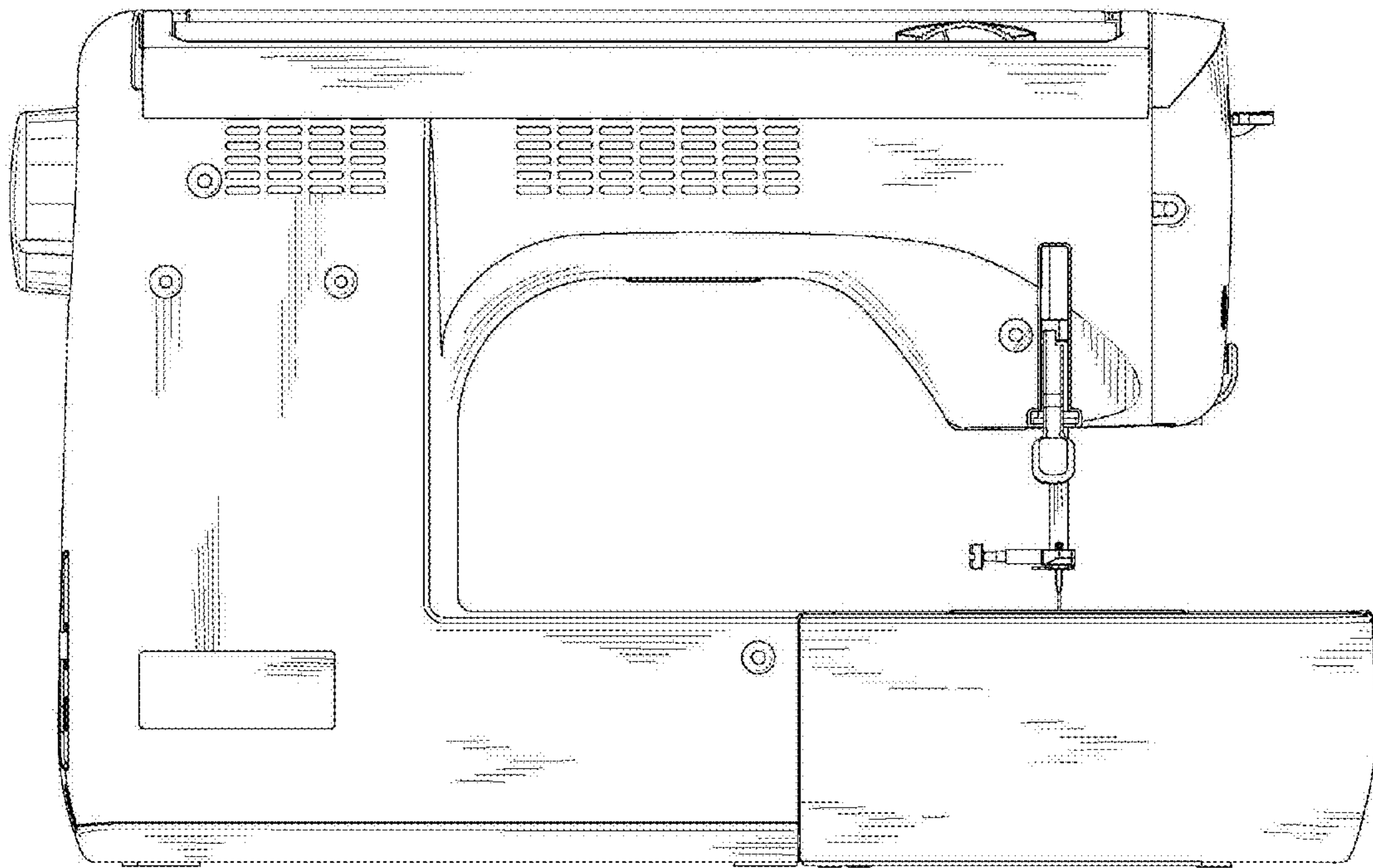


FIG. 4

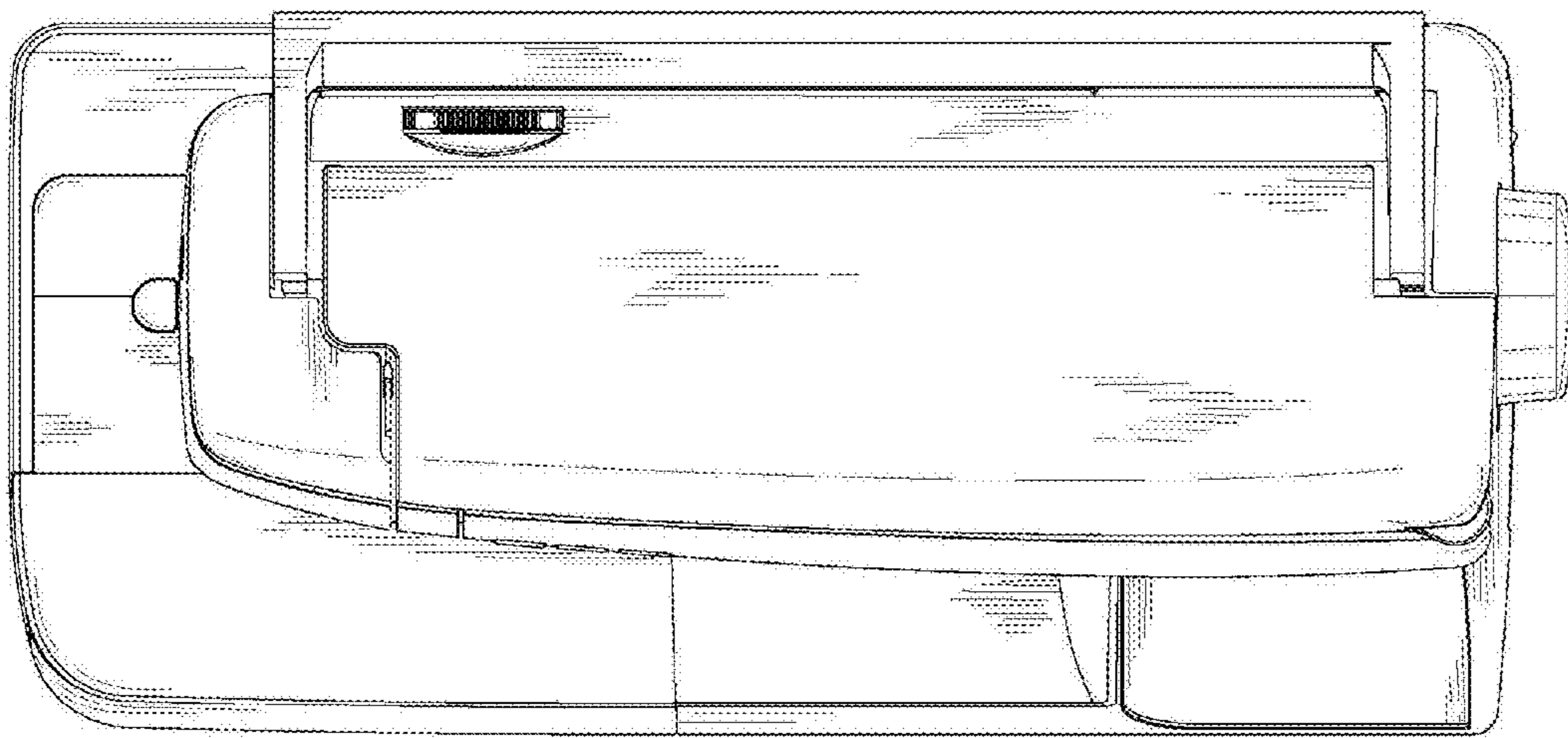


FIG. 5

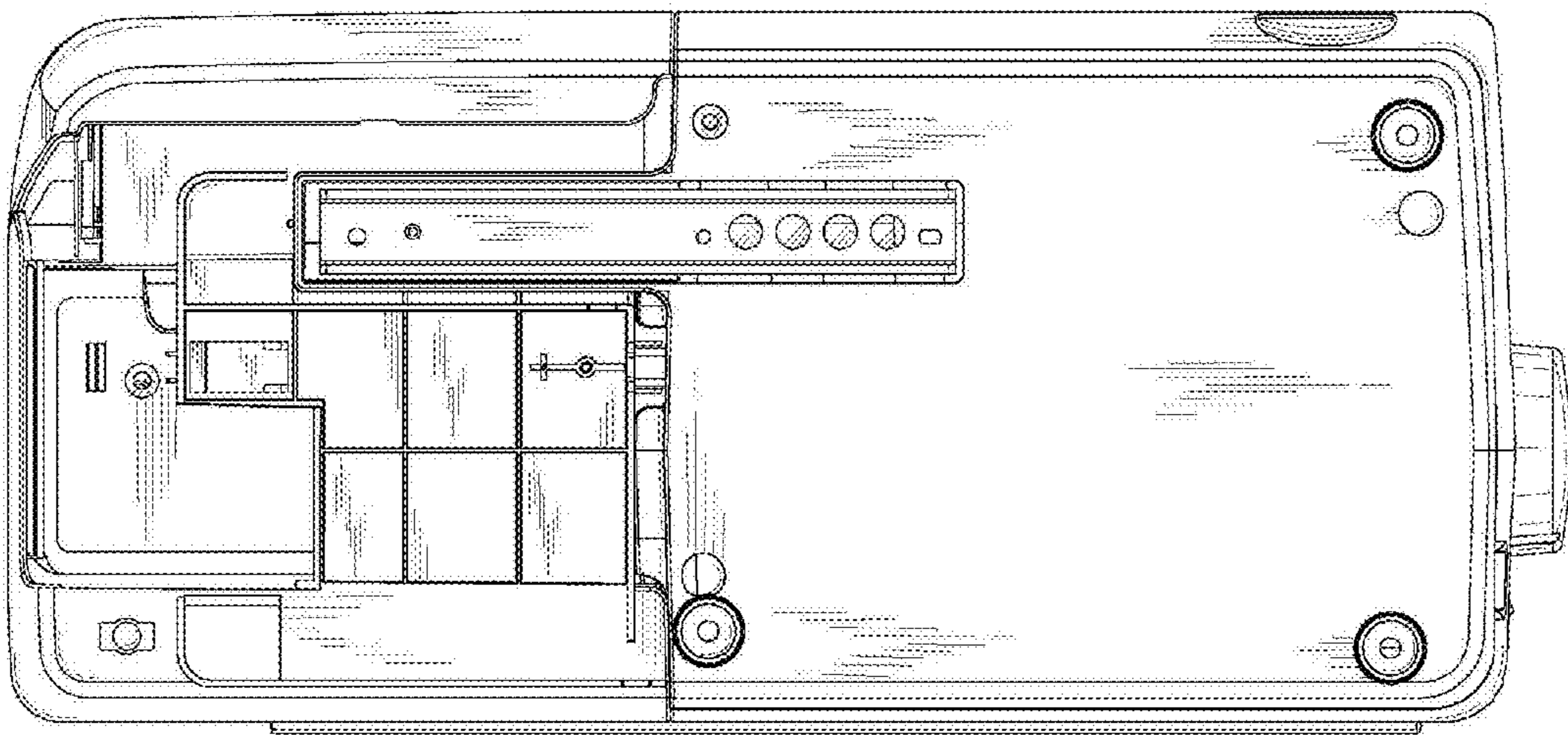


FIG. 6

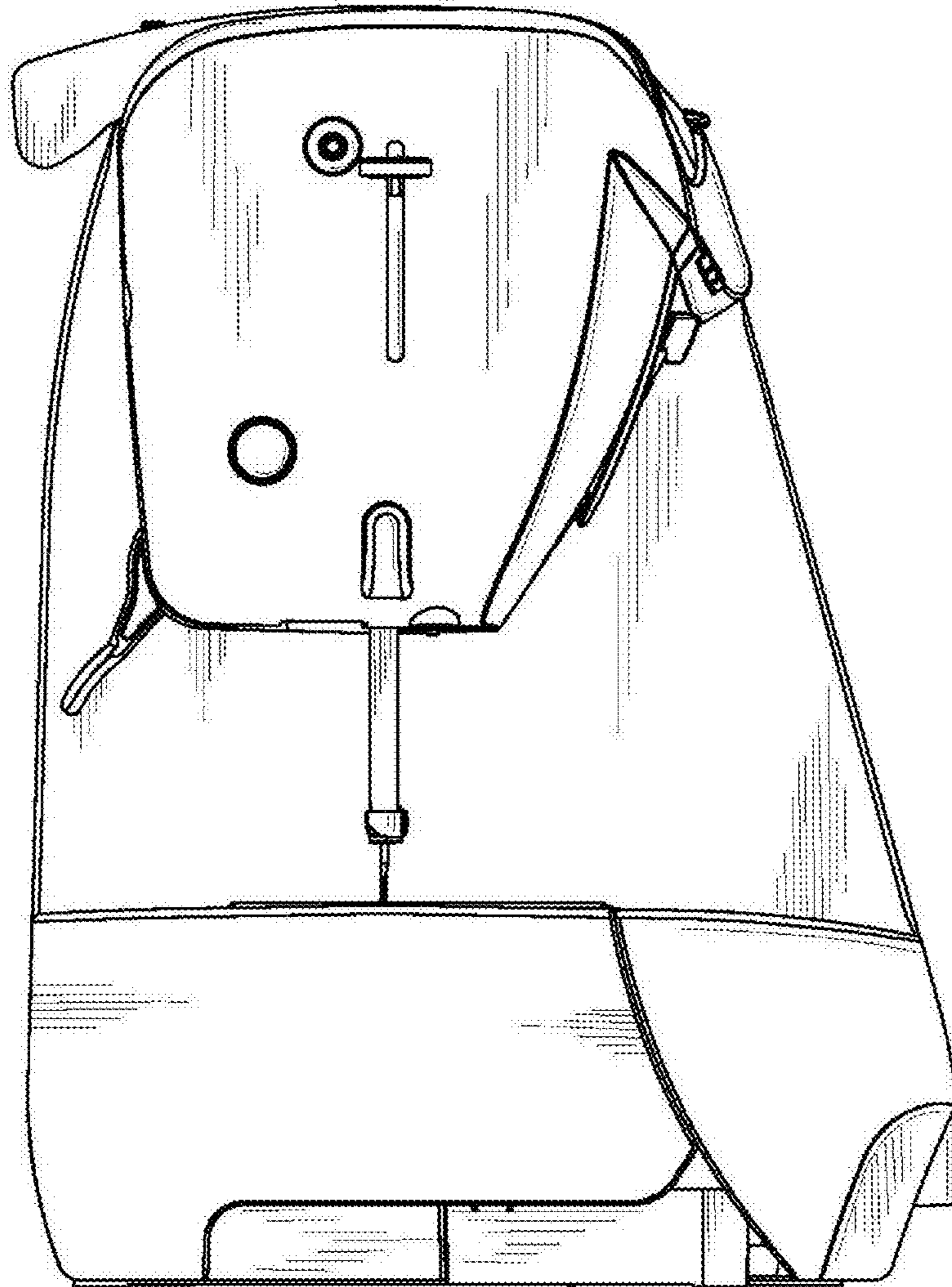


FIG. 7



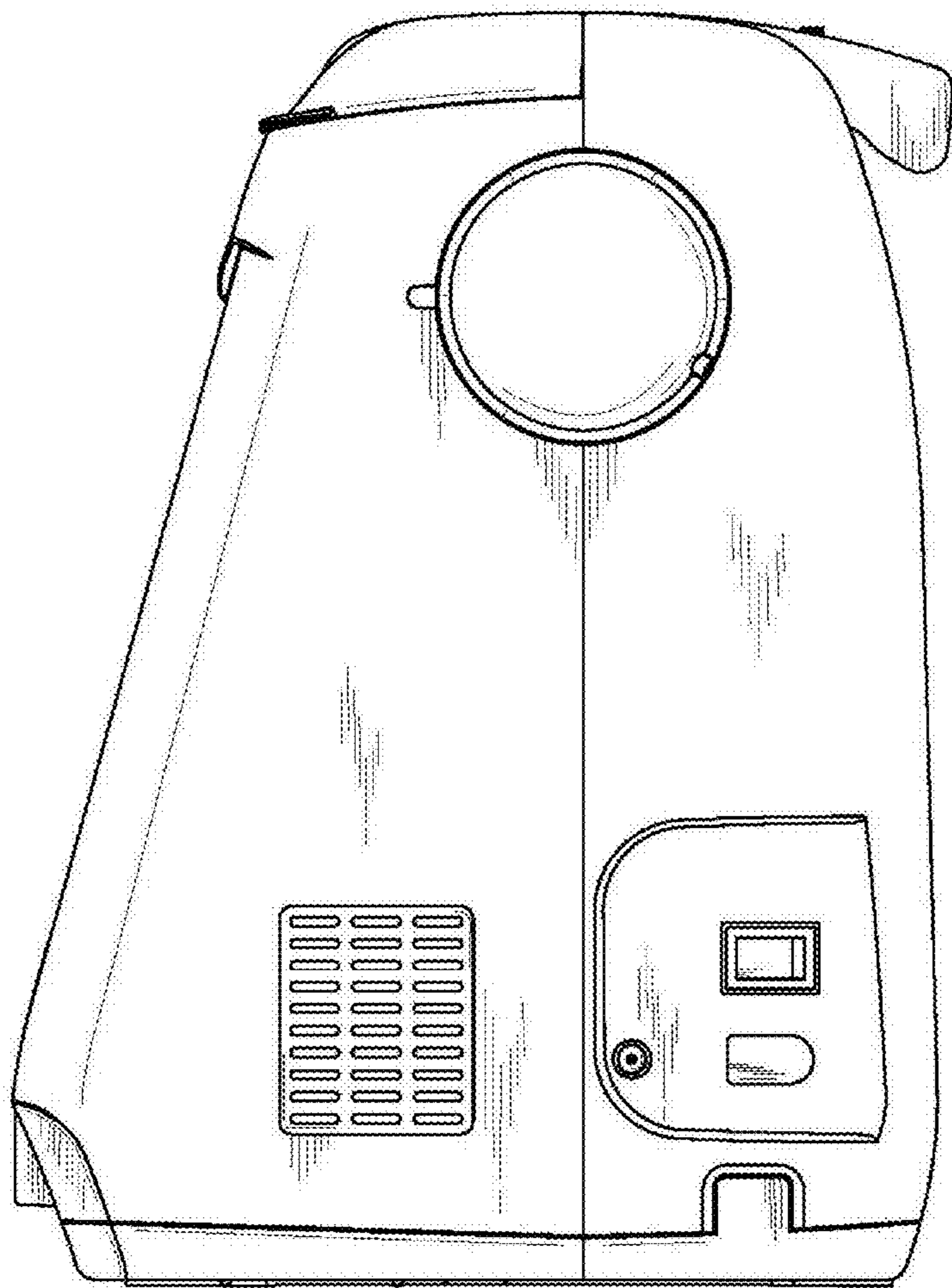


FIG. 8