



US00D765148S

(12) **United States Design Patent** (10) **Patent No.:** **US D765,148 S**
Degelman et al. (45) **Date of Patent:** **** Aug. 30, 2016**

(54) **CULTIVATOR**

(71) Applicants: **Scott Degelman**, Regina (CA); **Victor Labar**, Regina (CA)

(72) Inventors: **Scott Degelman**, Regina (CA); **Victor Labar**, Regina (CA)

(**) Term: **15 Years**

(21) Appl. No.: **29/530,153**

(22) Filed: **Jun. 12, 2015**

(51) **LOC (10) Cl.** **15-03**

(52) **U.S. Cl.**
 USPC **D15/11**

(58) **Field of Classification Search**
 USPC D15/10, 11, 27, 28, 29, 33; 172/579, 172/311, 568, 612, 468, 637, 662, 684.5, 172/689, 551, 576, 595, 455, 518, 527, 567, 172/586, 142, 152, 154, 178, 181, 196, 442, 172/440, 441, 314, 548, 454, 583, 140, 776, 172/22, 145-147, 175, 669, 452, 2-11
 CPC A01B 49/00; A01B 49/02; A01B 35/16; A01B 35/28; A01B 61/046; A01B 21/08; A01B 23/06; A01B 29/04
 See application file for complete search history.

8,020,629 B1 * 9/2011 McFarlane A01B 21/08 172/145
 D646,699 S * 10/2011 Knobloch D15/27
 D667,847 S * 9/2012 Kovach D15/11
 D668,687 S * 10/2012 Kromminga D15/11
 D706,835 S * 6/2014 Degelman D15/11

* cited by examiner

Primary Examiner — Mark Goodwin
 (74) *Attorney, Agent, or Firm* — Craig J. Lervick; Larkin Hoffman Daly & Lindgren, Ltd.

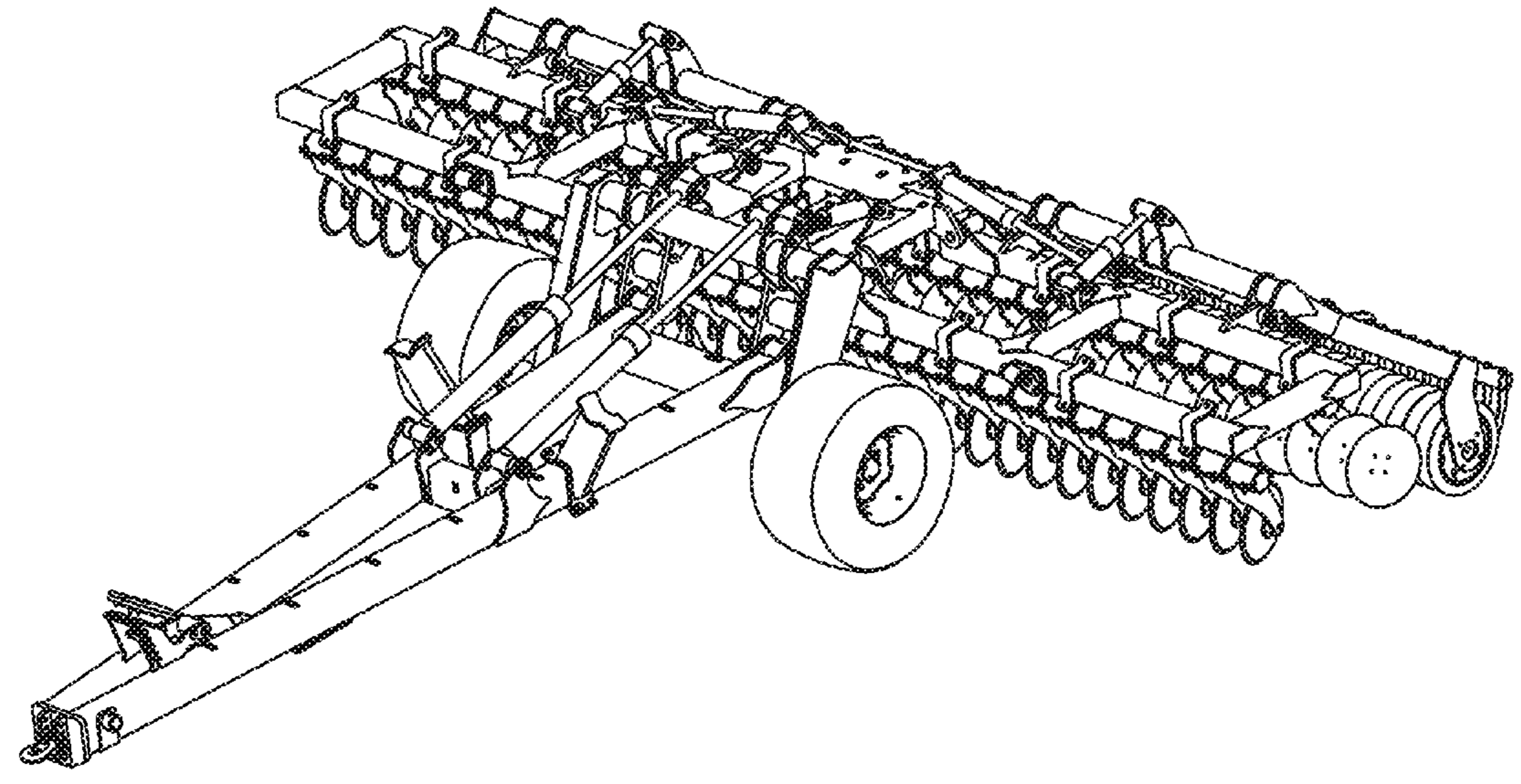
(57) **CLAIM**
 The ornamental design of the cultivator, as shown and described.

DESCRIPTION

FIG. 1 is a perspective view of an embodiment of the cultivator showing the design;
 FIG. 2 is a second perspective view of the device illustrated in FIG. 1;
 FIG. 3 is a rear view thereof;
 FIG. 4 is a side view thereof;
 FIG. 5 is a top view thereof;
 FIG. 6 is rear view of the cultivator in a second configuration;
 FIG. 7 is front view thereof;
 FIG. 8 is a perspective view of the cultivator in a third configuration;
 FIG. 9 is a perspective view of the cultivator in a fourth configuration;
 FIG. 10 is a side view thereof;
 FIG. 11 is a front perspective view thereof; and,
 FIG. 12 is another perspective view of the cultivator in the fourth configuration shown in a working environment.
 The broken line showing of a tractor in FIG. 12 is included for the purpose of illustrating environmental structure only and forms no part of the claimed design.

1 Claim, 12 Drawing Sheets

(56) **References Cited**
 U.S. PATENT DOCUMENTS
 D258,657 S * 3/1981 Stark D15/27
 5,161,622 A * 11/1992 Godbersen A01B 49/02 172/140
 5,232,054 A * 8/1993 Van Blaricon A01B 73/065 172/311
 7,578,356 B2 * 8/2009 Newman A01B 61/04 172/264
 D625,339 S * 10/2010 Monk D15/11
 D635,590 S * 4/2011 Kovach D15/11



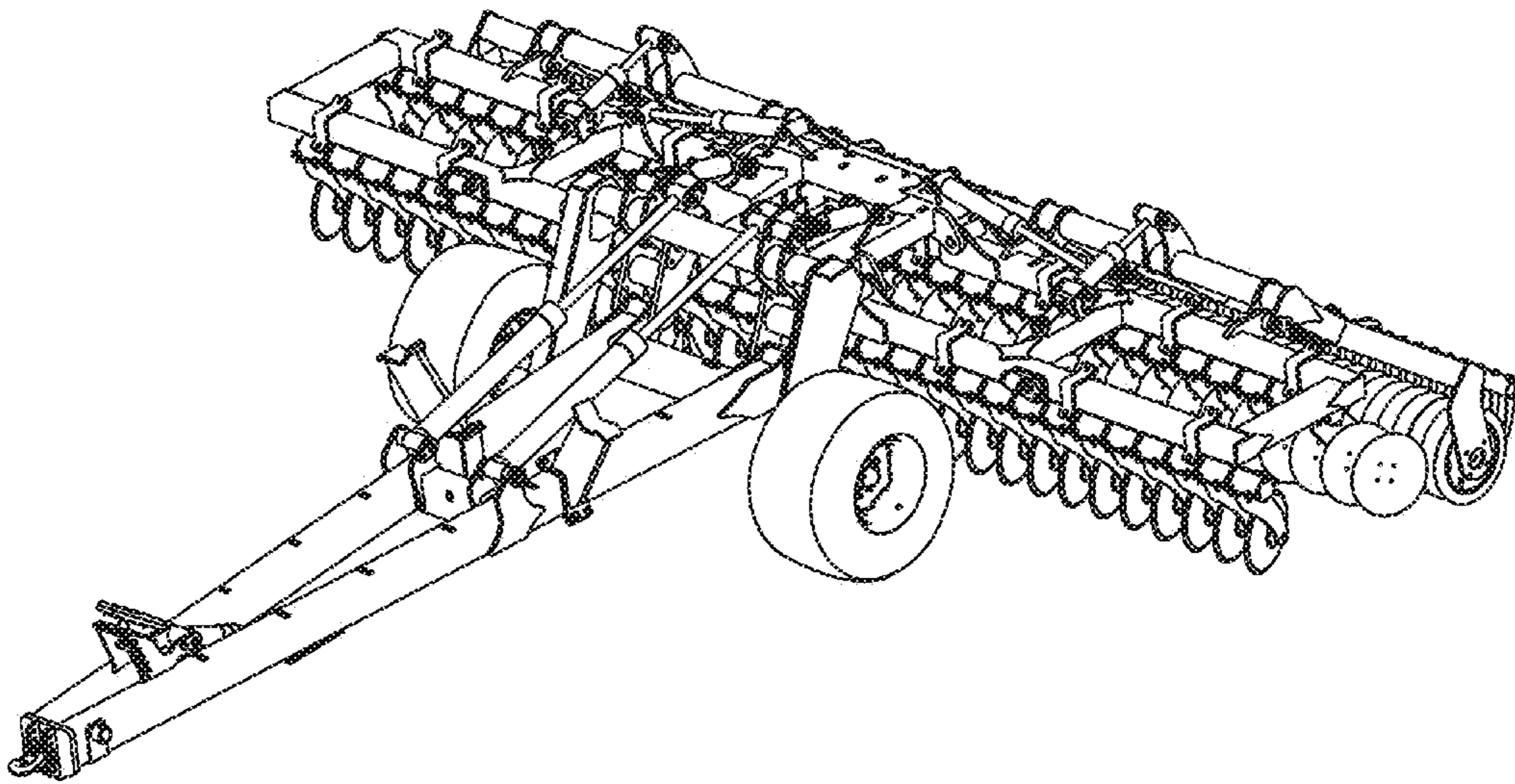


Fig. 1

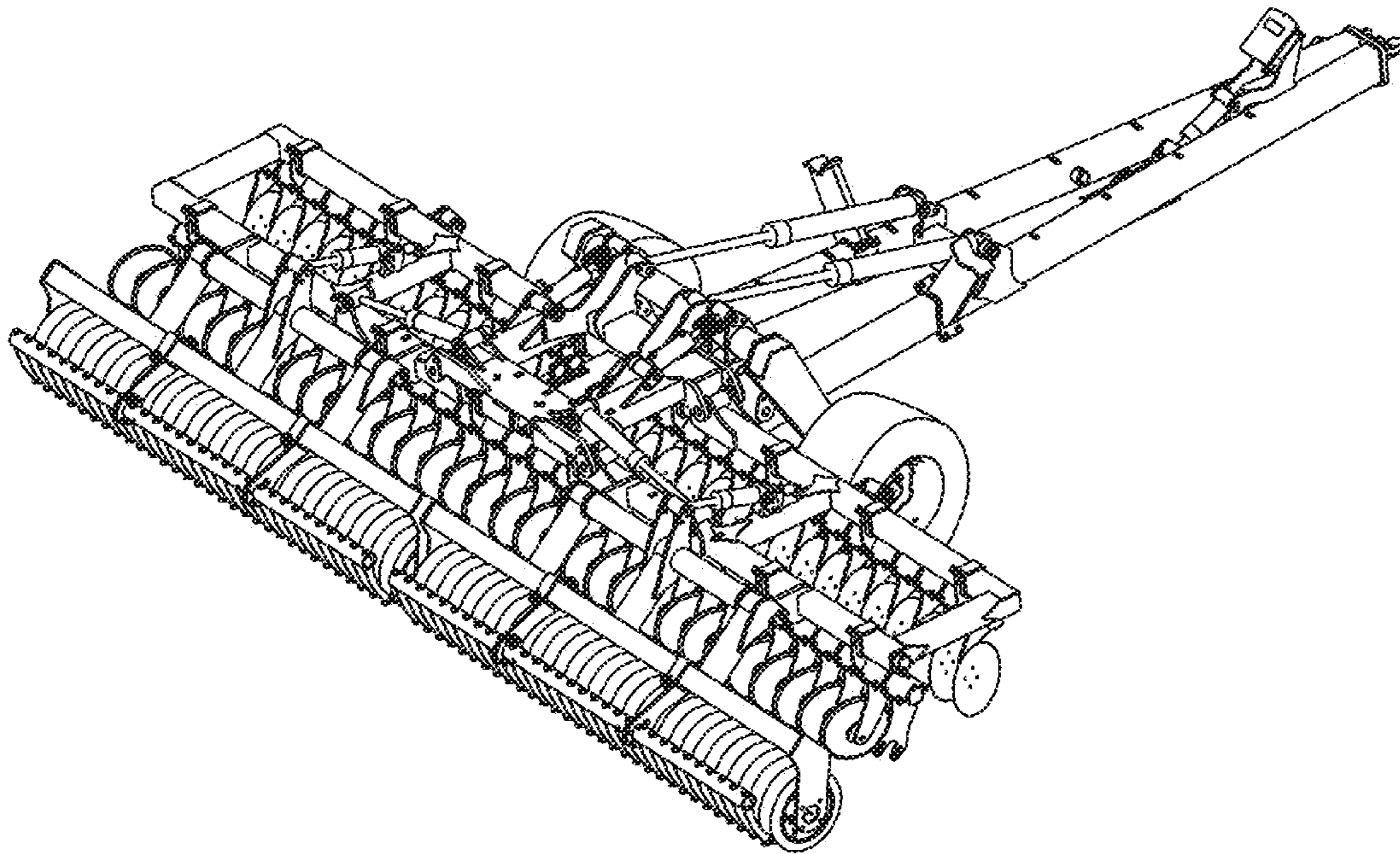


Fig. 2

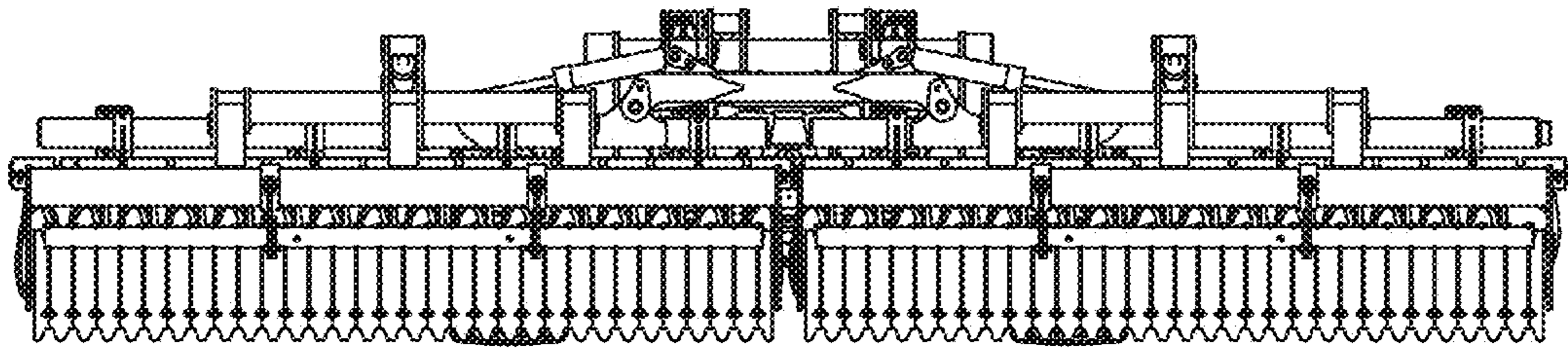


Fig. 3

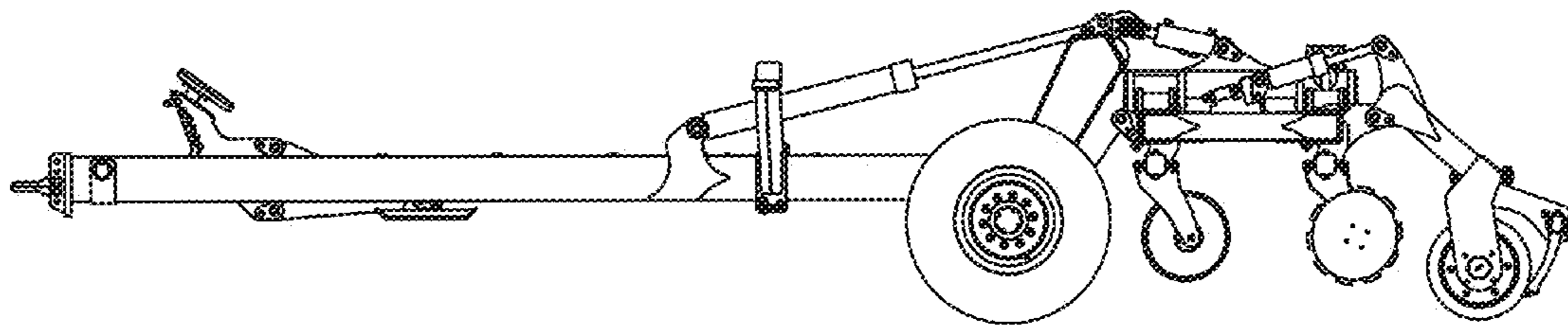


Fig. 4

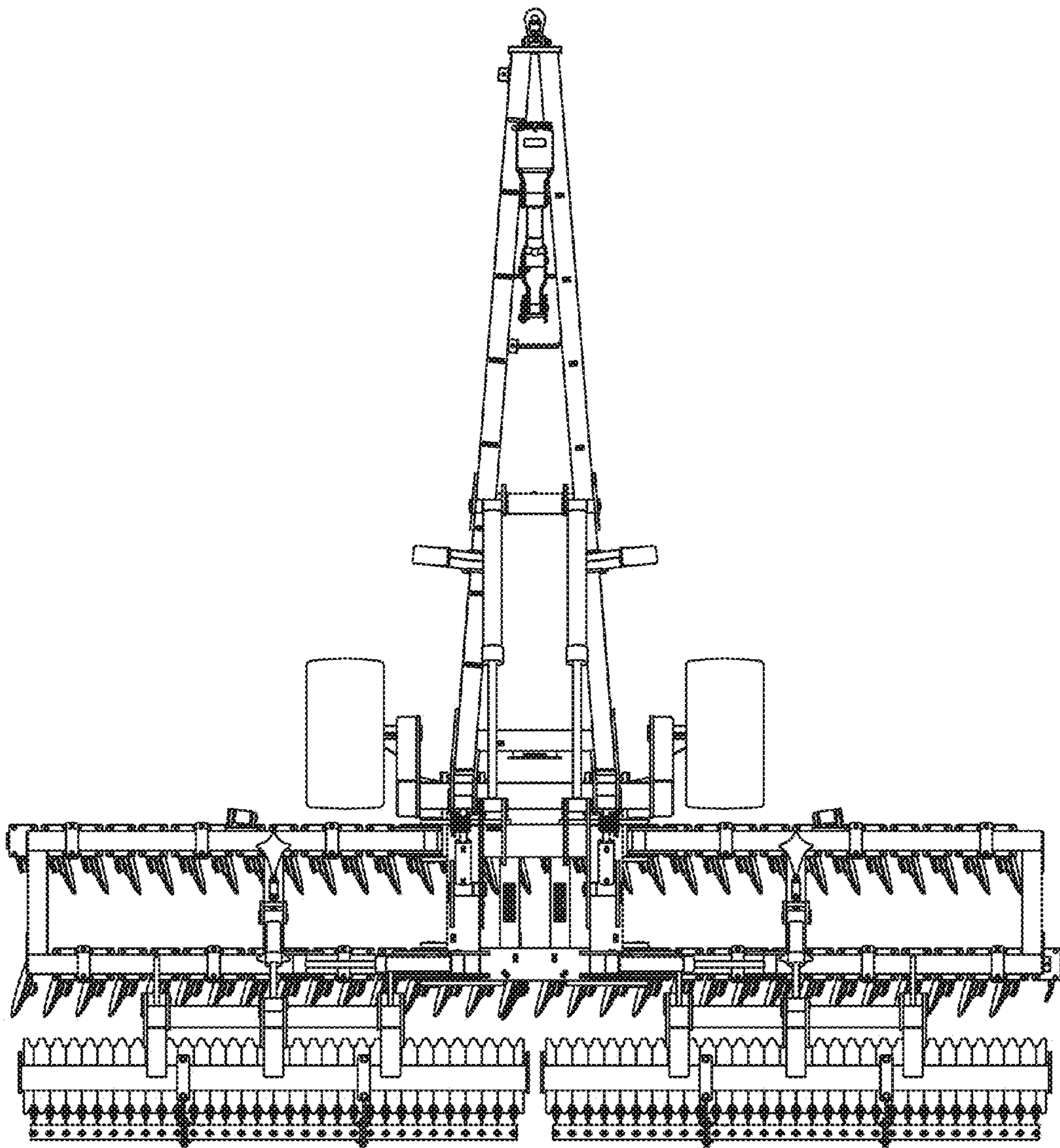


Fig. 5

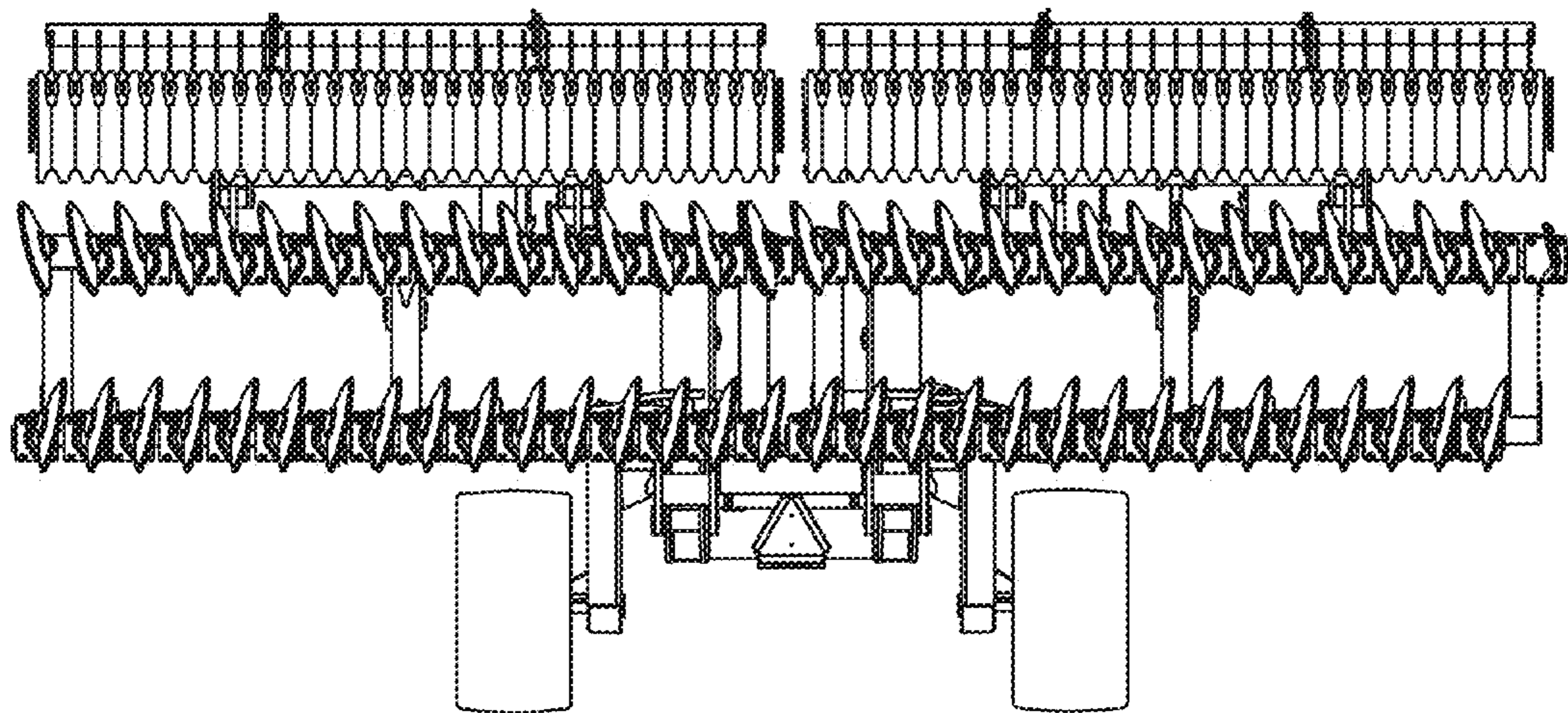


Fig. 6

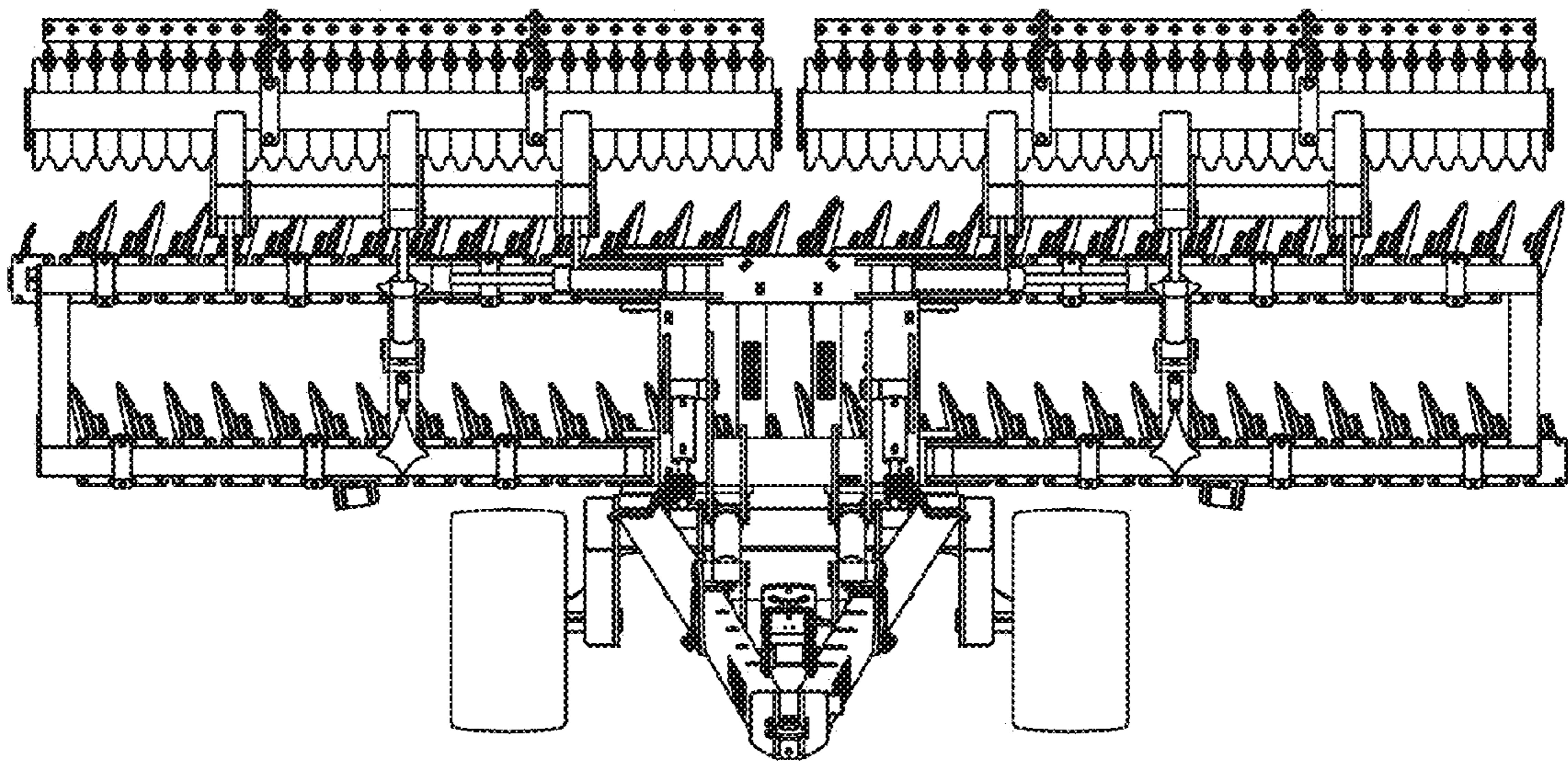


Fig. 7

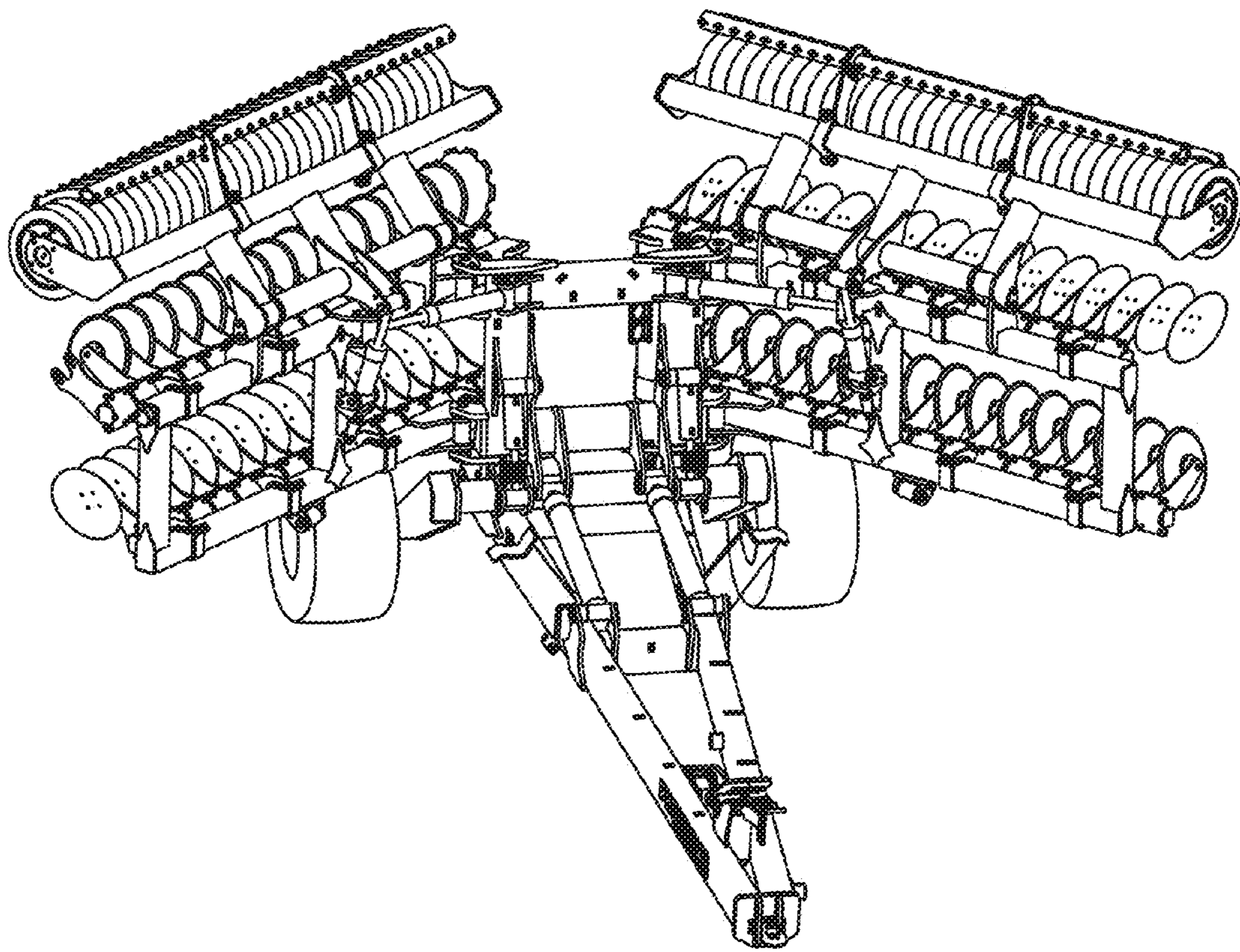


Fig. 8

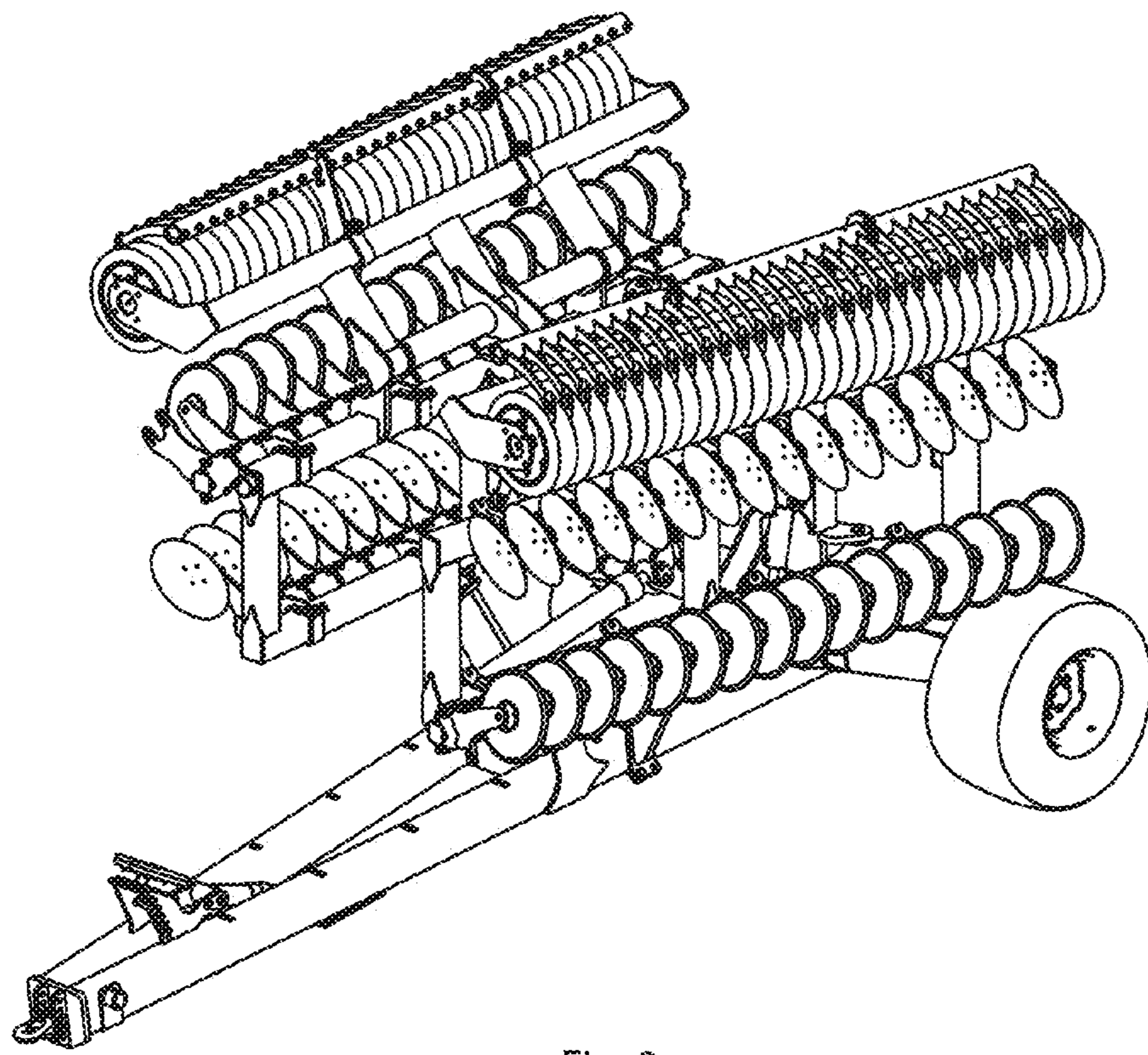


Fig. 9

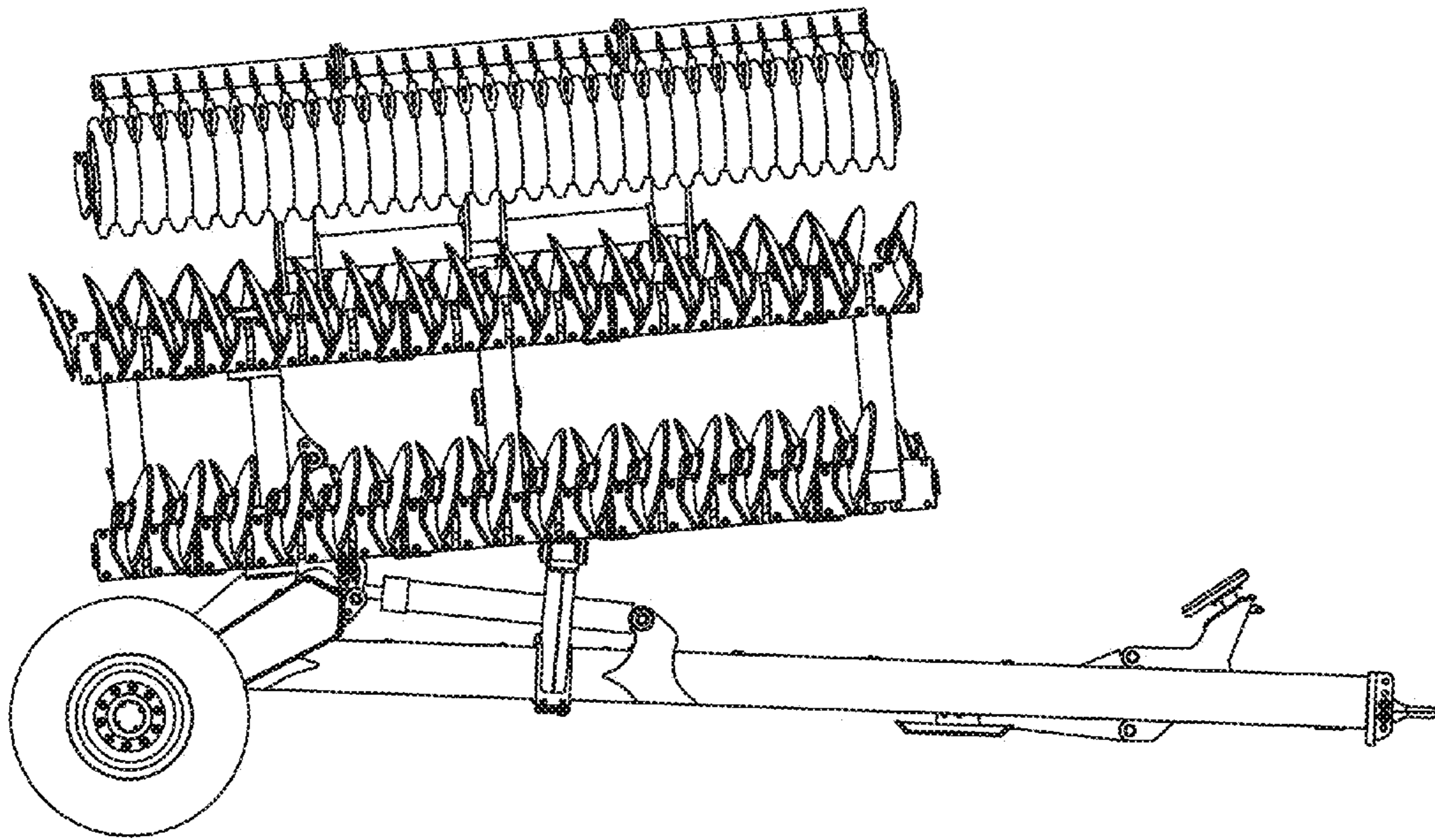


Fig. 10

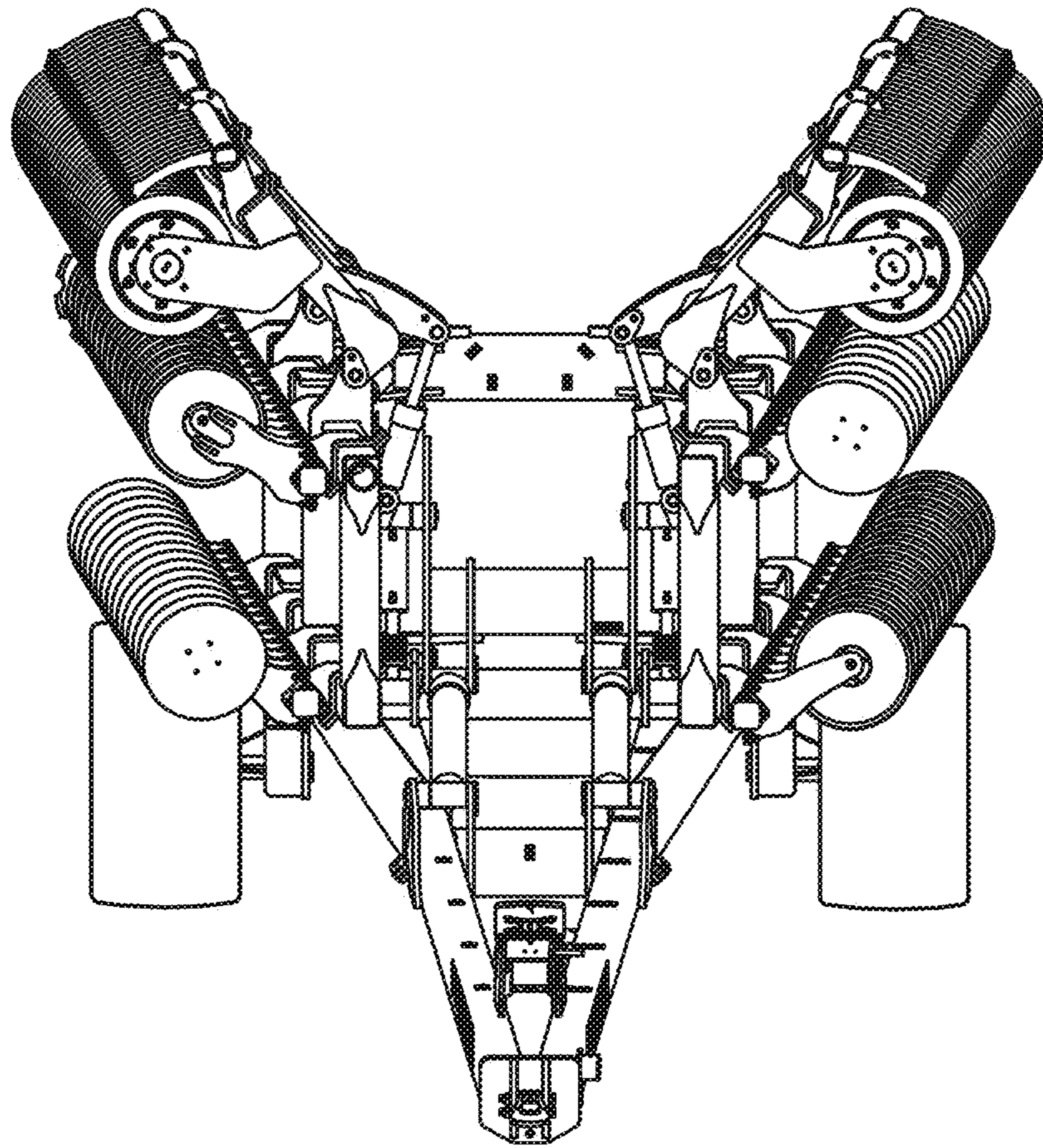


Fig. 11

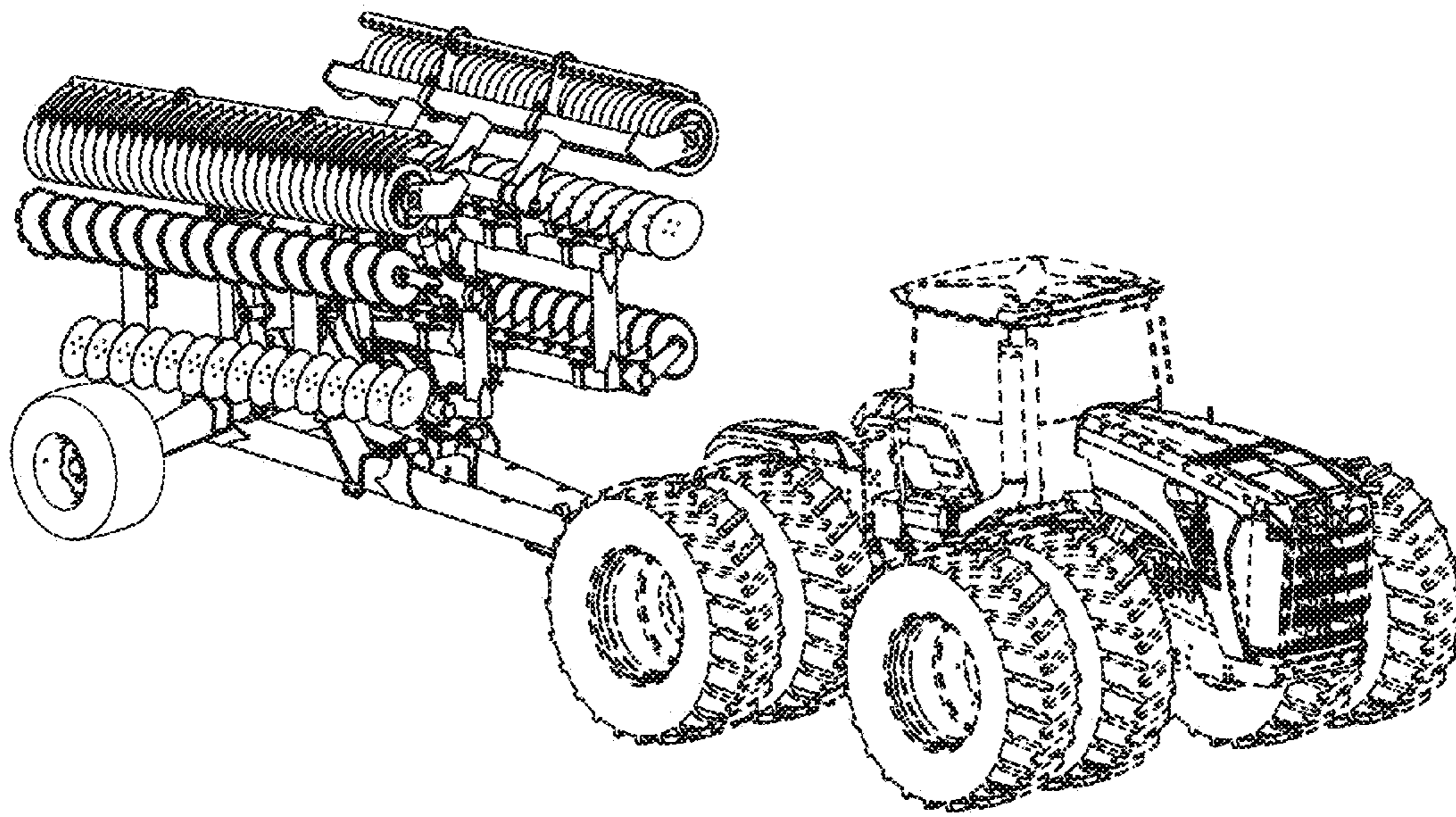


Fig. 12