



US00D765147S

(12) **United States Design Patent** (10) **Patent No.:** **US D765,147 S**
Schaller et al. (45) **Date of Patent:** **** Aug. 30, 2016**

(54) **VACUUM PUMP**

(71) Applicant: **ATELIERS BUSCH SA**, Chevenez (CH)

(72) Inventors: **Christian Schaller**, Rossemaison (CH); **Michel Boulicaut**, Aibre (FR); **Yannick Lavarsin**, Hérimoncourt (FR)

(**) Term: **15 Years**

(21) Appl. No.: **35/500,438**

(22) Filed: **Dec. 15, 2015**

(80) **Hague Agreement Data**

Int. Filing Date: **Dec. 15, 2015**

Int. Reg. No.: **DM/088663**

Int. Reg. Date: **Dec. 15, 2015**

Int. Reg. Pub. Date: **Jan. 1, 2016**

(51) **LOC (10) Cl.** **15-02**

(52) **U.S. Cl.**
USPC **D15/7**

(58) **Field of Classification Search**
USPC D15/7-9; D23/225-233; 417/60, 235, 417/265, 321, 355-363, 410.1, 415-416, 417/405, 900; 60/408-412; 415/140-147; 123/495-509; D24/111
See application file for complete search history.

(56) **References Cited**

U.S. PATENT DOCUMENTS

| | | | | |
|--------------|---------|------------|-------|-------|
| D263,302 S * | 3/1982 | Terajima | | D15/7 |
| D328,304 S * | 7/1992 | Frohn | | D15/1 |
| D339,144 S * | 9/1993 | Cline, Sr. | | D15/7 |
| D406,268 S * | 3/1999 | Lamond | | D15/7 |
| D450,327 S * | 11/2001 | Mori | | D15/7 |
| D485,565 S * | 1/2004 | Martinello | | D15/7 |
| D518,068 S * | 3/2006 | Rodopoulos | | D15/7 |
| D558,232 S * | 12/2007 | Wang | | D15/7 |
| D558,795 S * | 1/2008 | Saunders | | D15/7 |
| D573,609 S * | 7/2008 | Bilger | | D15/7 |

| | | | | |
|--------------|---------|------------|-------|-------|
| D591,310 S * | 4/2009 | Soja | | D15/7 |
| D602,960 S * | 10/2009 | Bukoski | | D15/9 |
| D603,426 S * | 11/2009 | Hauser | | D15/7 |
| D609,595 S * | 2/2010 | Soderstrom | | D15/7 |
| D617,814 S * | 6/2010 | Dreifert | | D15/7 |
| D619,624 S * | 7/2010 | Iwagoshi | | D15/7 |
| D621,853 S * | 8/2010 | Sundheim | | D15/7 |
| D656,518 S * | 3/2012 | Varini | | D15/7 |
| D664,155 S * | 7/2012 | Milner | | D15/7 |
| D668,684 S * | 10/2012 | Noguchi | | D15/9 |
| D676,063 S * | 2/2013 | Soja | | D15/7 |
| D676,462 S * | 2/2013 | Soja | | D15/7 |
| D677,281 S * | 3/2013 | Muller | | D15/7 |
| D677,282 S * | 3/2013 | Soja | | D15/7 |
| D677,283 S * | 3/2013 | Soja | | D15/7 |
| D677,701 S * | 3/2013 | Moysi | | D15/7 |
| D723,064 S * | 2/2015 | Eisele | | D15/7 |

* cited by examiner

Primary Examiner — Richard E Chilcot

(57) **CLAIM**

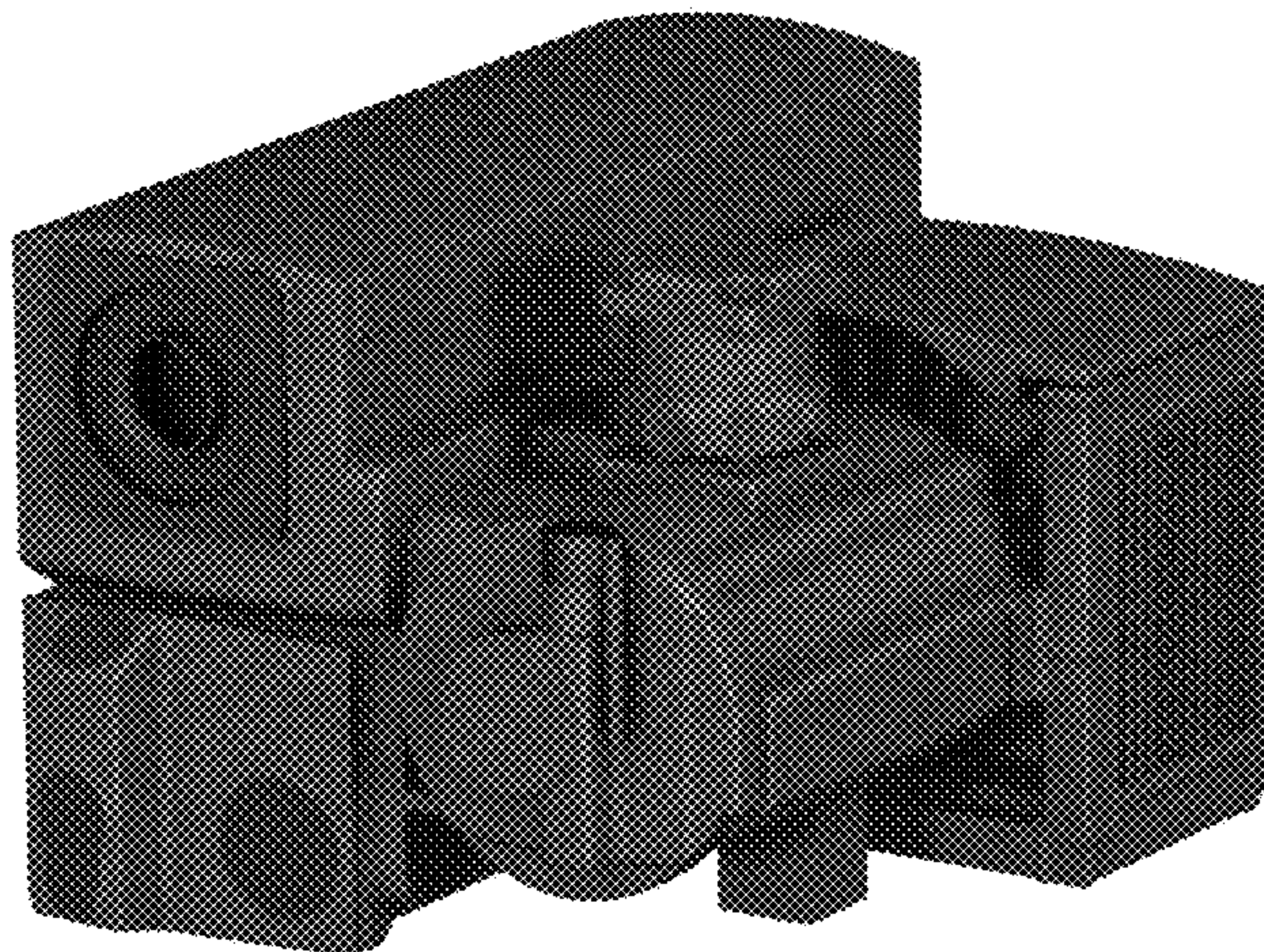
The ornamental design for a vacuum pump, as shown and described.

DESCRIPTION

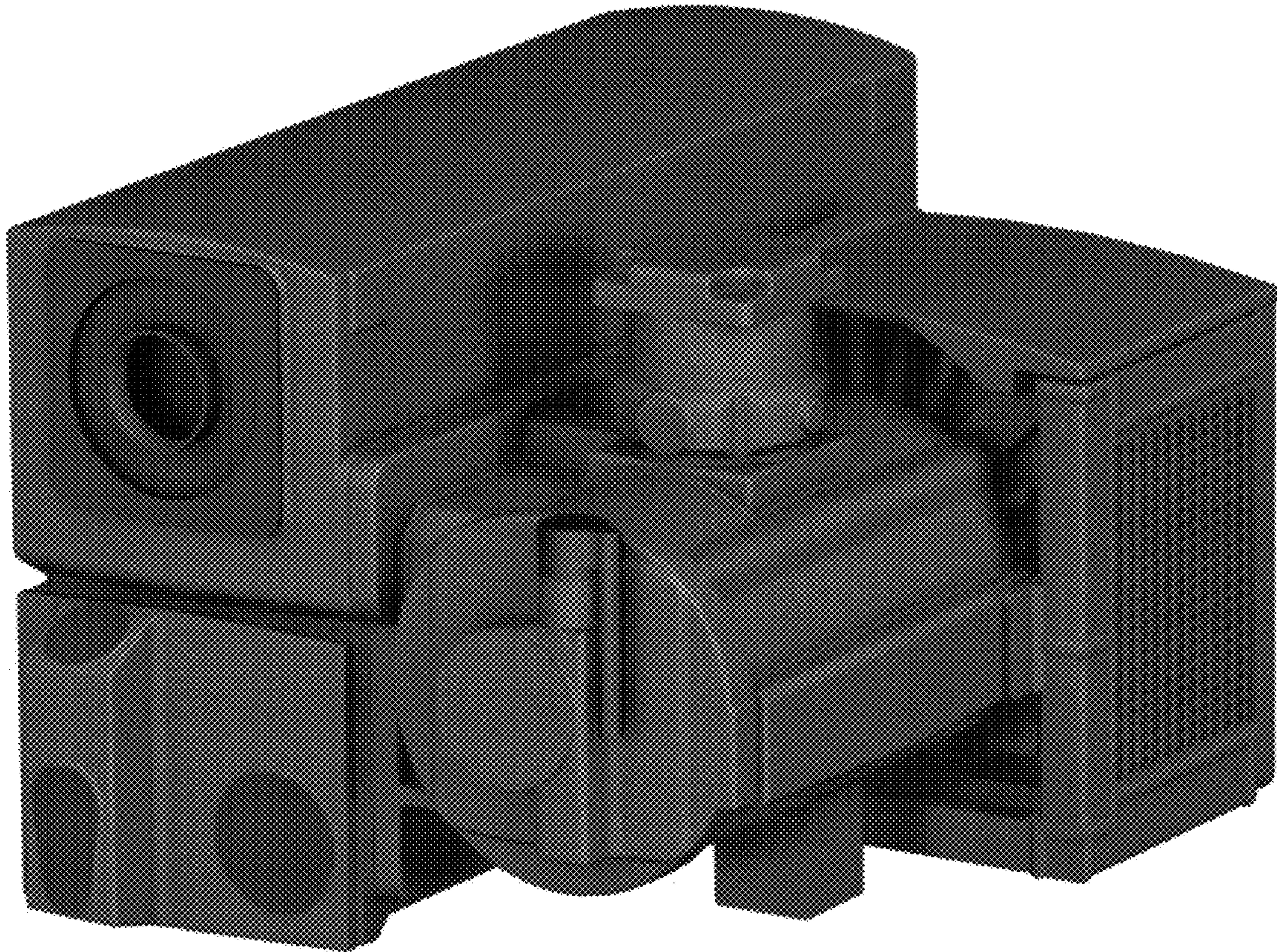
The file of this patent contains at least one drawing/photograph executed in color. Copies of this patent with color drawing(s)/photograph(s) will be provided by the Office upon request and payment of the necessary fee.

- 1. Vacuum pump
- 1.1 : Perspective
- 1.2 : Perspective
- 1.3 : Perspective
- 1.4 : Perspective
- 1.5 : Front
- 1.6 : Back
- 1.7 : Left
- 1.8 : Right
- 1.9 : Top
- 1.10 : Bottom

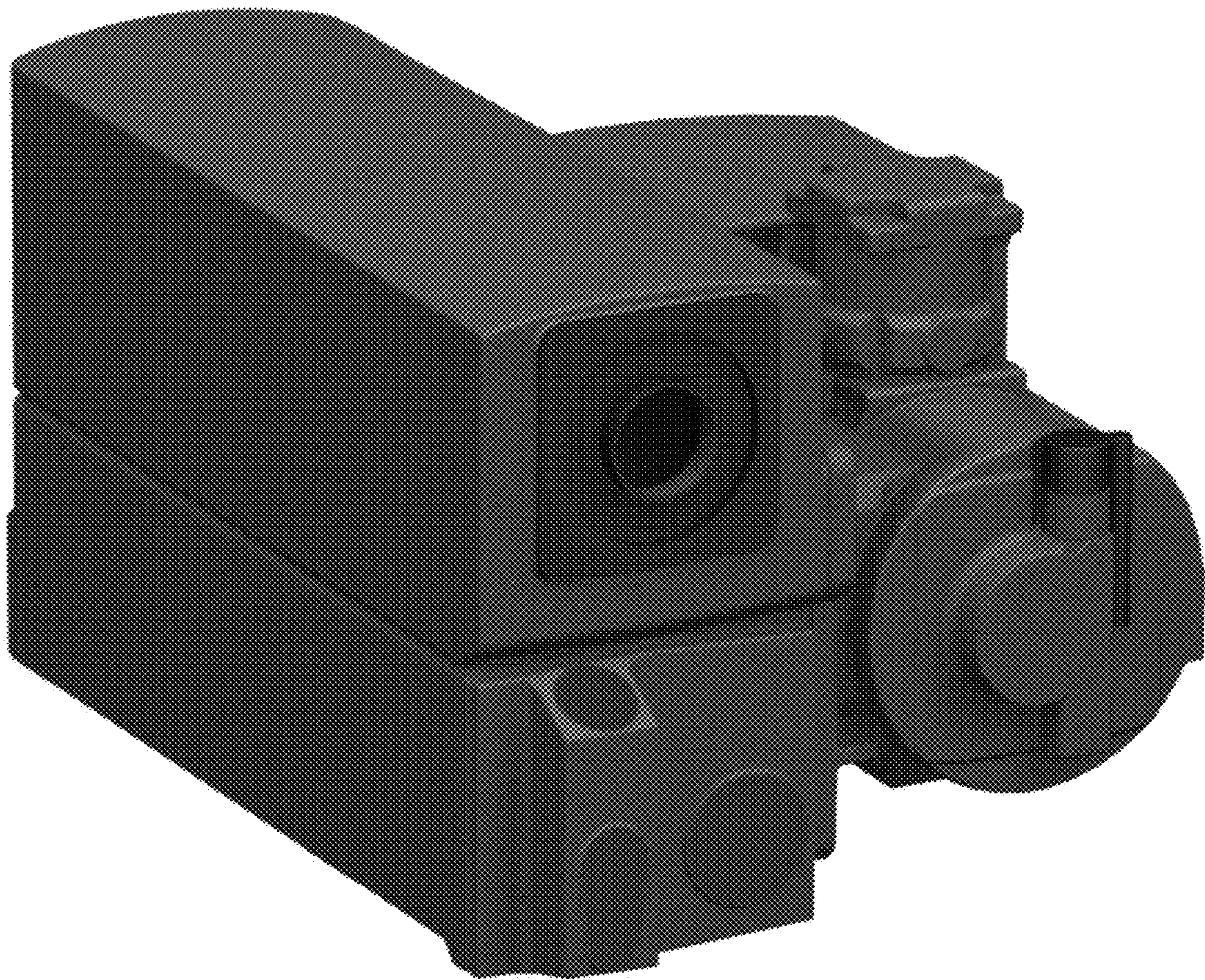
1 Claim, 10 Drawing Sheets
(10 of 10 Drawing Sheet(s) Filed in Color)



1.1



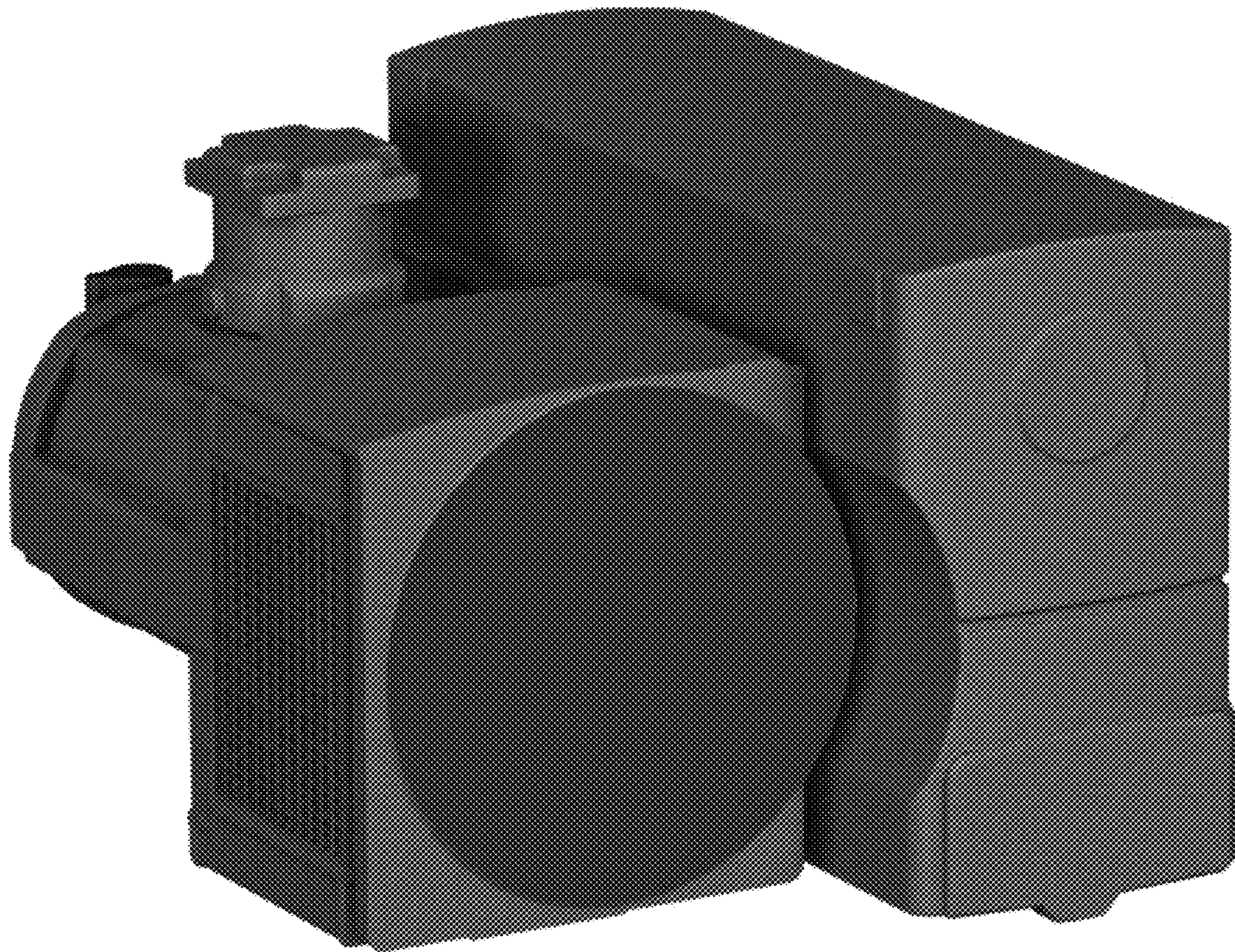
1.2



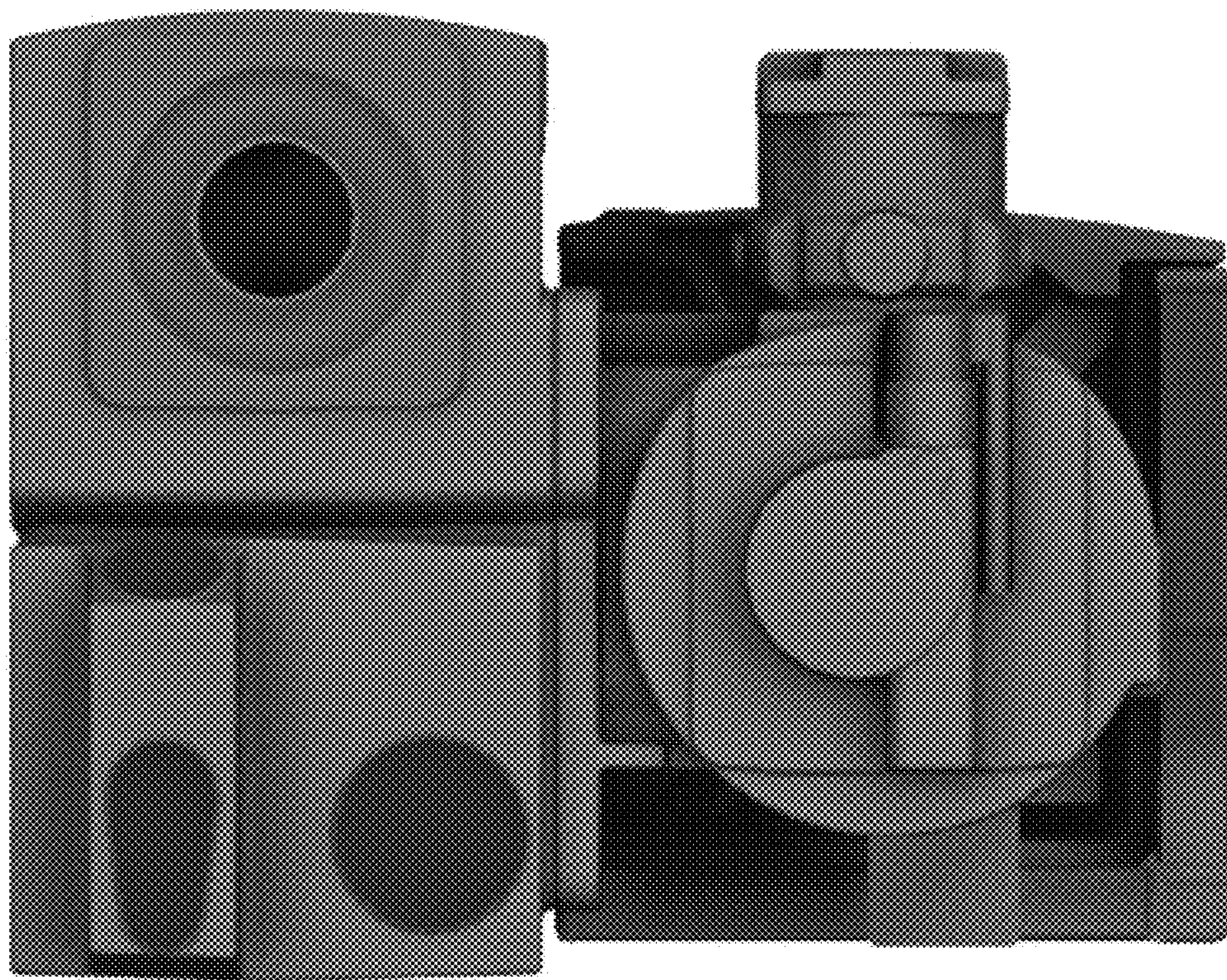
1.3



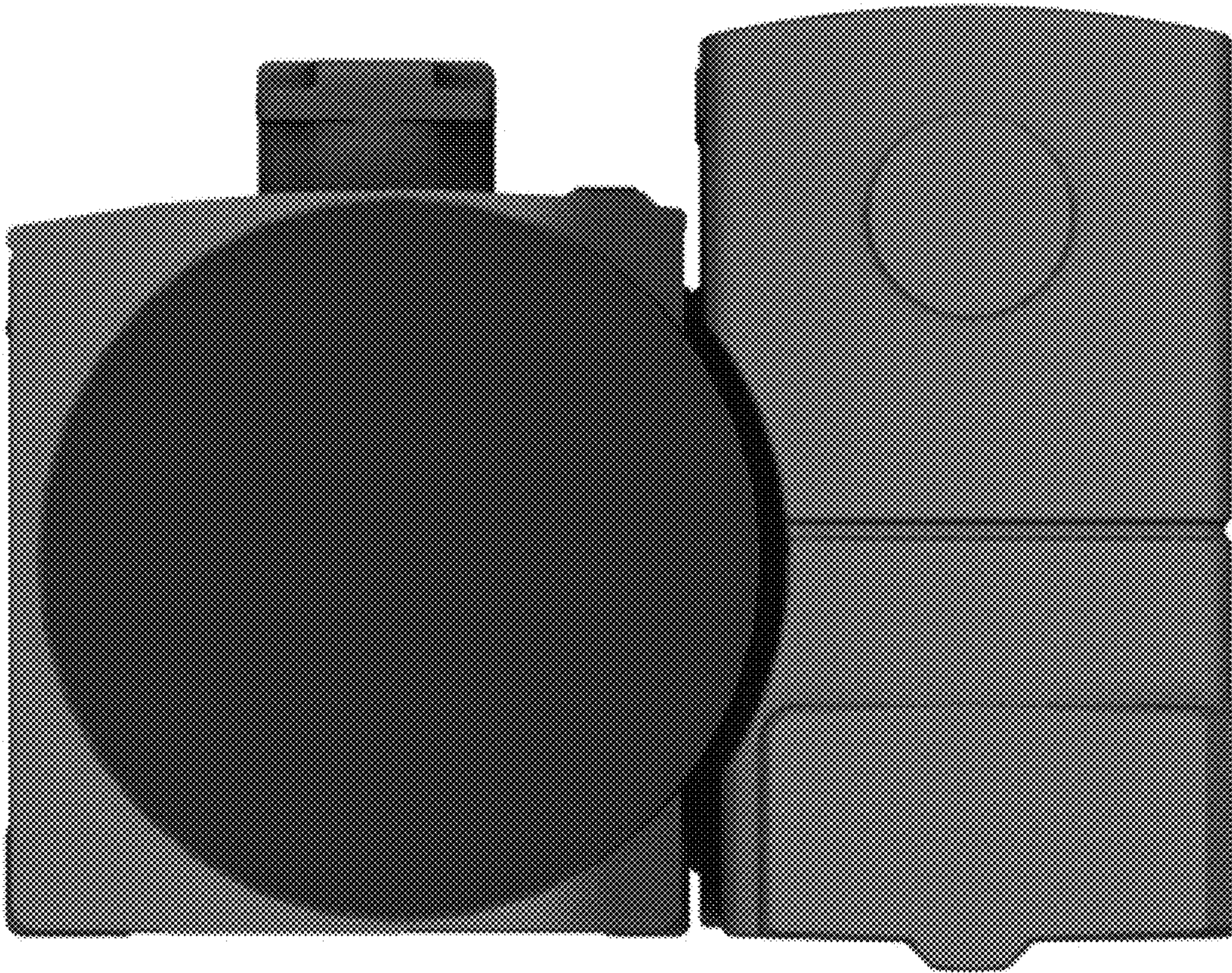
1.4



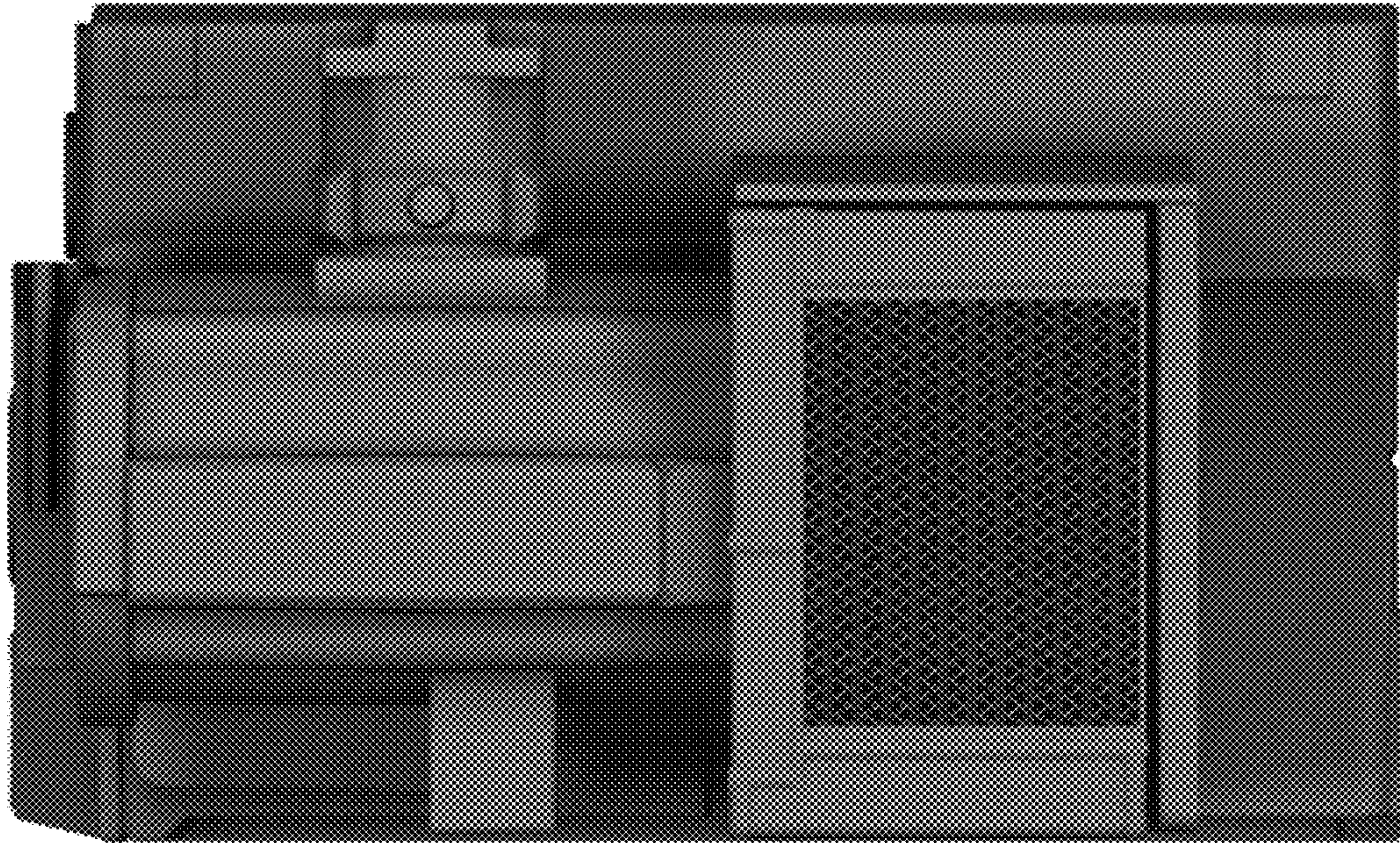
1.5



1.6



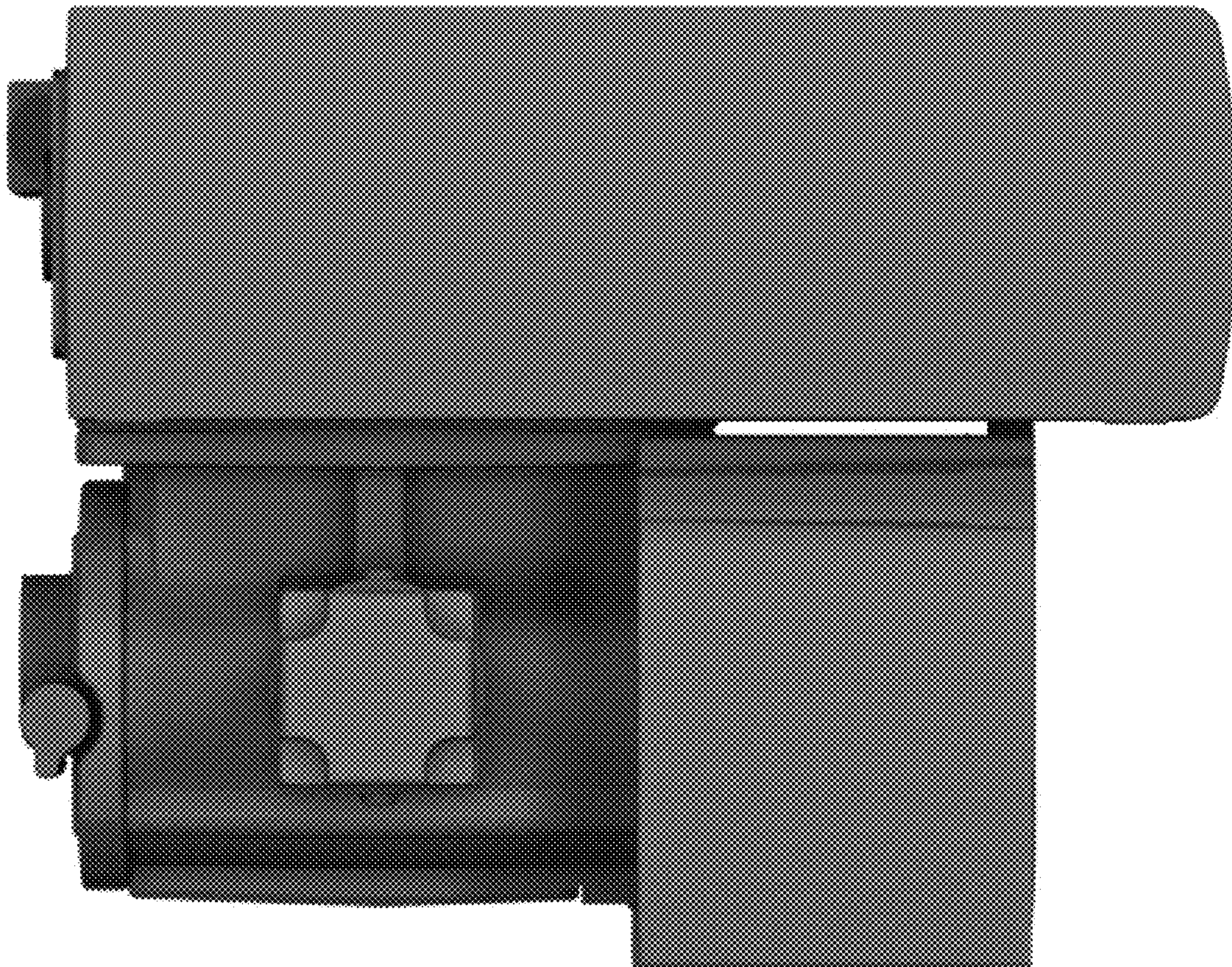
1.7



1.8



1.9



1.10

