

US00D765146S

(12) **United States Design Patent**
Takeda et al.

(10) **Patent No.:** **US D765,146 S**

(45) **Date of Patent:** **** Aug. 30, 2016**

(54) **PUMP BODY FOR CENTRIFUGAL PUMP UNIT**

(56) **References Cited**

U.S. PATENT DOCUMENTS

(71) Applicant: **Kabushiki Kaisha Saginomiya Seisakusho**, Tokyo (JP)
(72) Inventors: **Tsuyoshi Takeda**, Saitama (JP); **Shohei Ozeki**, Saitama (JP); **Shinpei Yagi**, Saitama (JP)

D520,024 S *	5/2006	Chen	D15/7
D534,548 S *	1/2007	Urano	D15/7
D602,500 S *	10/2009	Tokunaga	D15/7
D604,329 S *	11/2009	Matsuki	D15/7
D616,903 S *	6/2010	Kimura	D15/7
D701,537 S *	3/2014	Ueda	D15/9

* cited by examiner

(73) Assignee: **Kabushiki Kaisha Saginomiya Seisakusho**, Tokyo (JP)

Primary Examiner — Ralf Seifert

(74) *Attorney, Agent, or Firm* — Reising Ethington P.C.

(**) Term: **14 Years**

(57) **CLAIM**

We claim the ornament design of a pump body for centrifugal pump unit, as shown in the attached drawings and described.

(21) Appl. No.: **29/523,004**

DESCRIPTION

(22) Filed: **Apr. 6, 2015**

(30) **Foreign Application Priority Data**

Oct. 6, 2014 (JP) 2014-022267

(51) **LOC (10) Cl.** **15-02**

(52) **U.S. Cl.**
USPC **D15/7**

(58) **Field of Classification Search**
USPC D15/7-9; D23/231, 232, 225; 417/60, 417/235, 265, 321, 355, 358, 363, 359, 417/410.1, 415-416, 405, 900; 60/408, 60/412; 184/26-37; 415/140-147; 123/495, 509; 137/565.34
CPC F02M 37/04; F02M 37/14
See application file for complete search history.

FIG. 1 is a front view;
FIG. 2 is a rear view;
FIG. 3 is a right side view;
FIG. 4 is a left side view;
FIG. 5 is a plane view;
FIG. 6 is a bottom view;
FIG. 7 is a perspective view when viewed front and right-side top;
FIG. 8 is a perspective view when viewed rear and left-side top;
FIG. 9 is a perspective view when viewed front and right-side bottom; and,
FIG. 10 is a perspective view when viewed rear and left-side bottom.

1 Claim, 5 Drawing Sheets

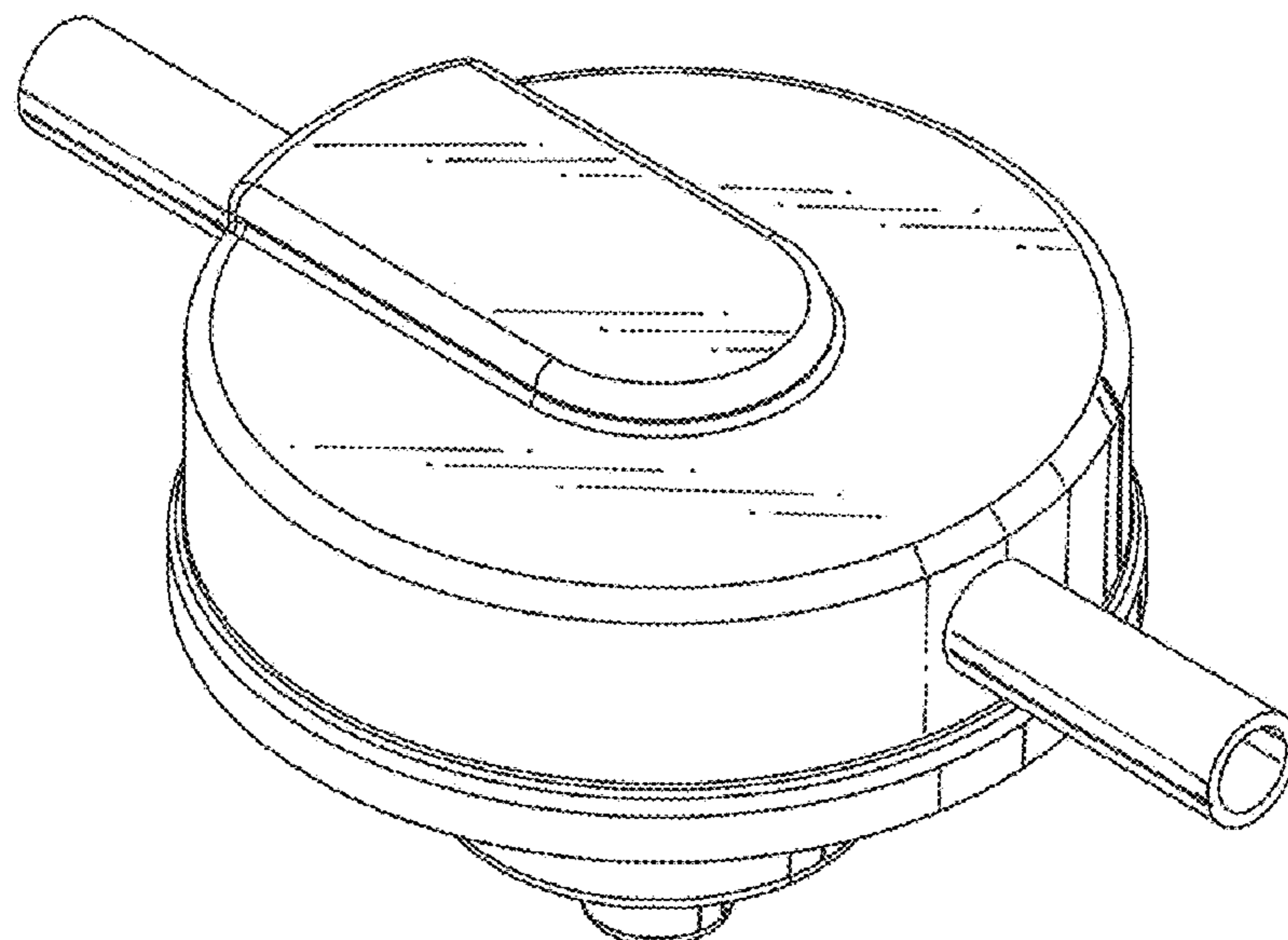


FIG. 1

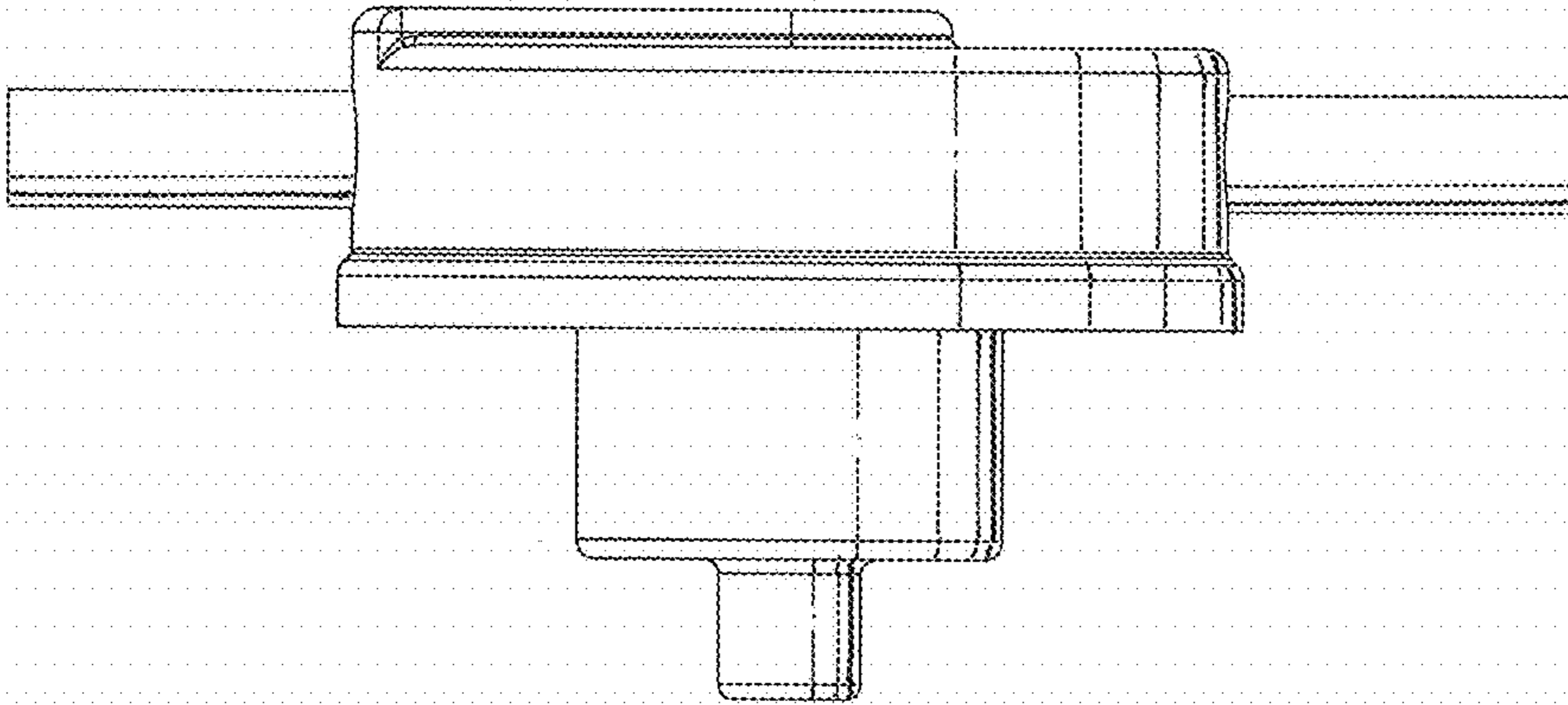


FIG. 2

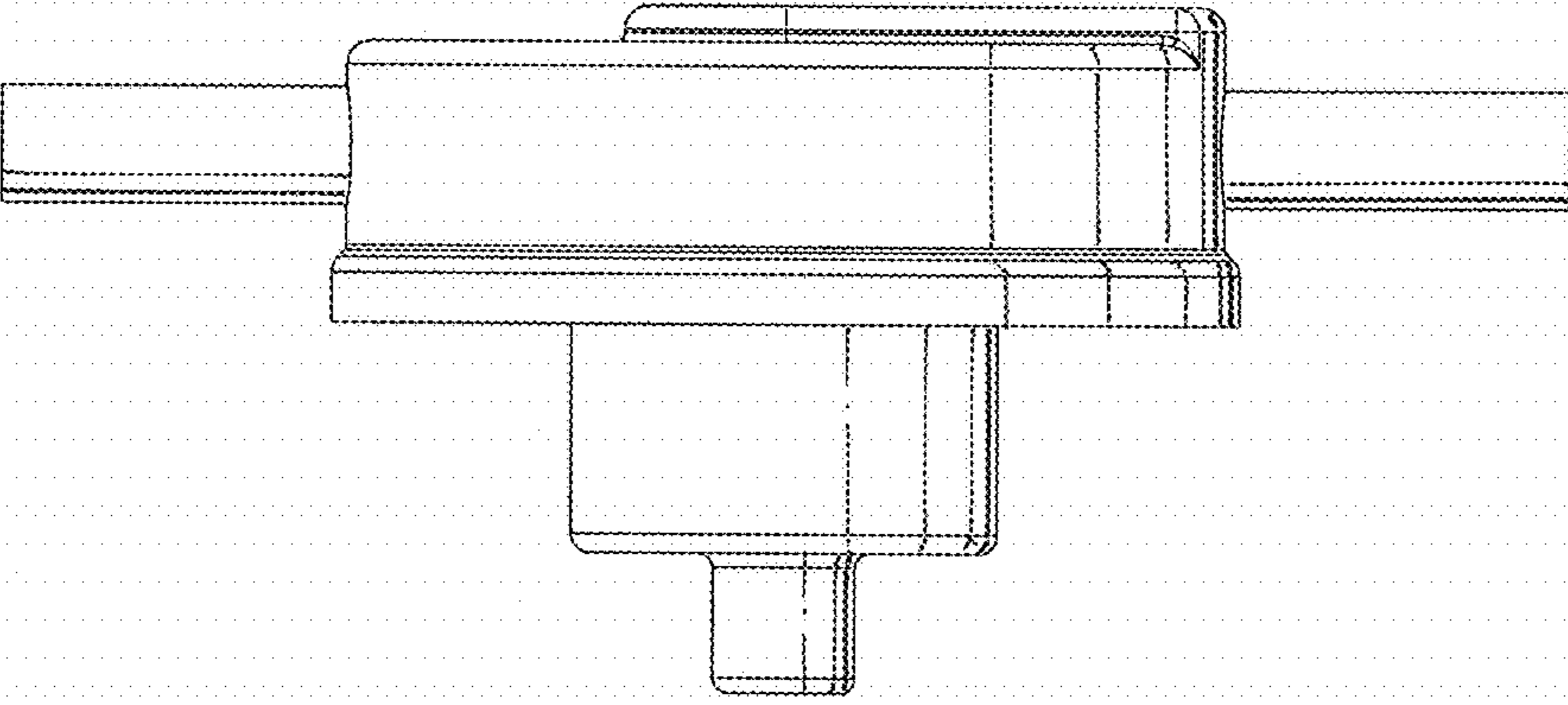


FIG. 3

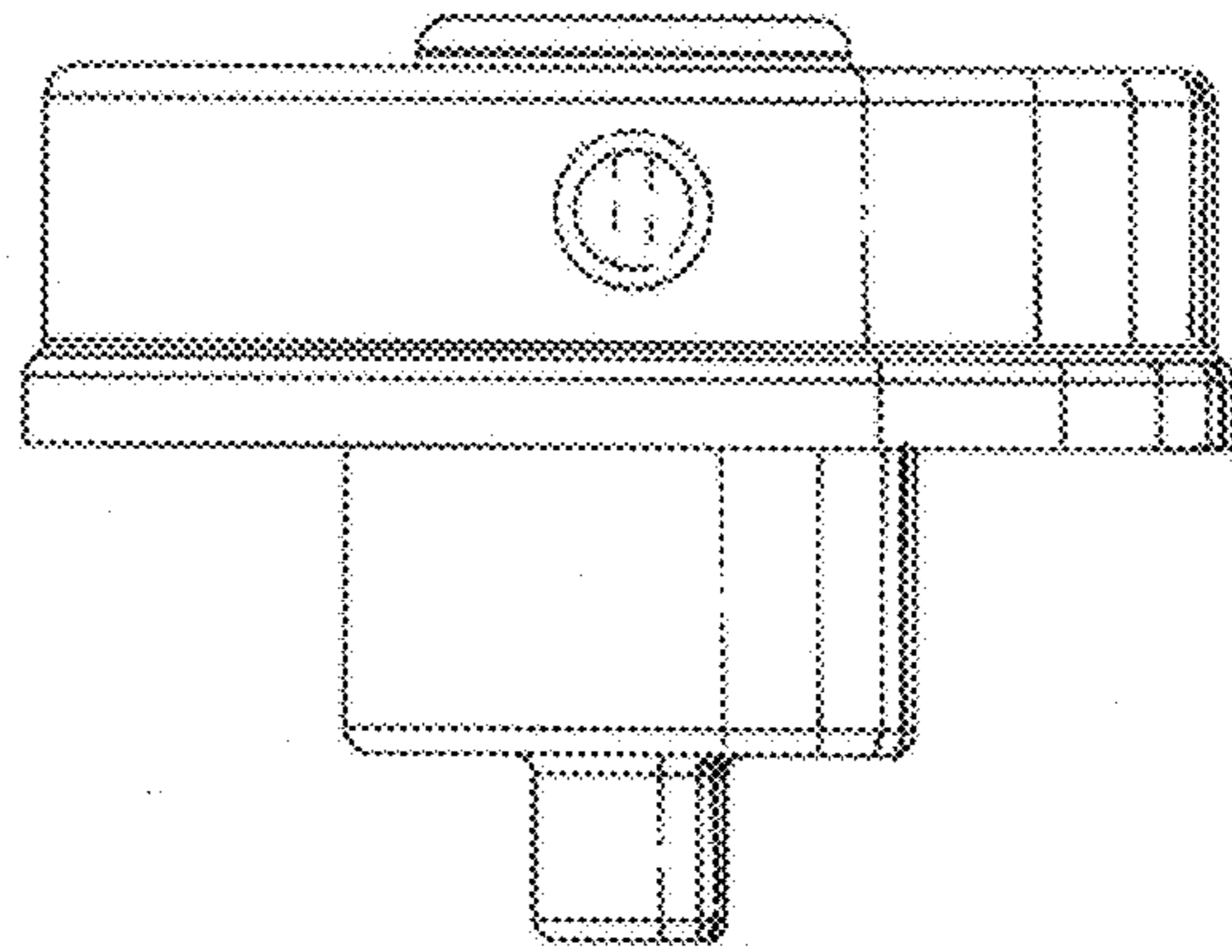


FIG. 4

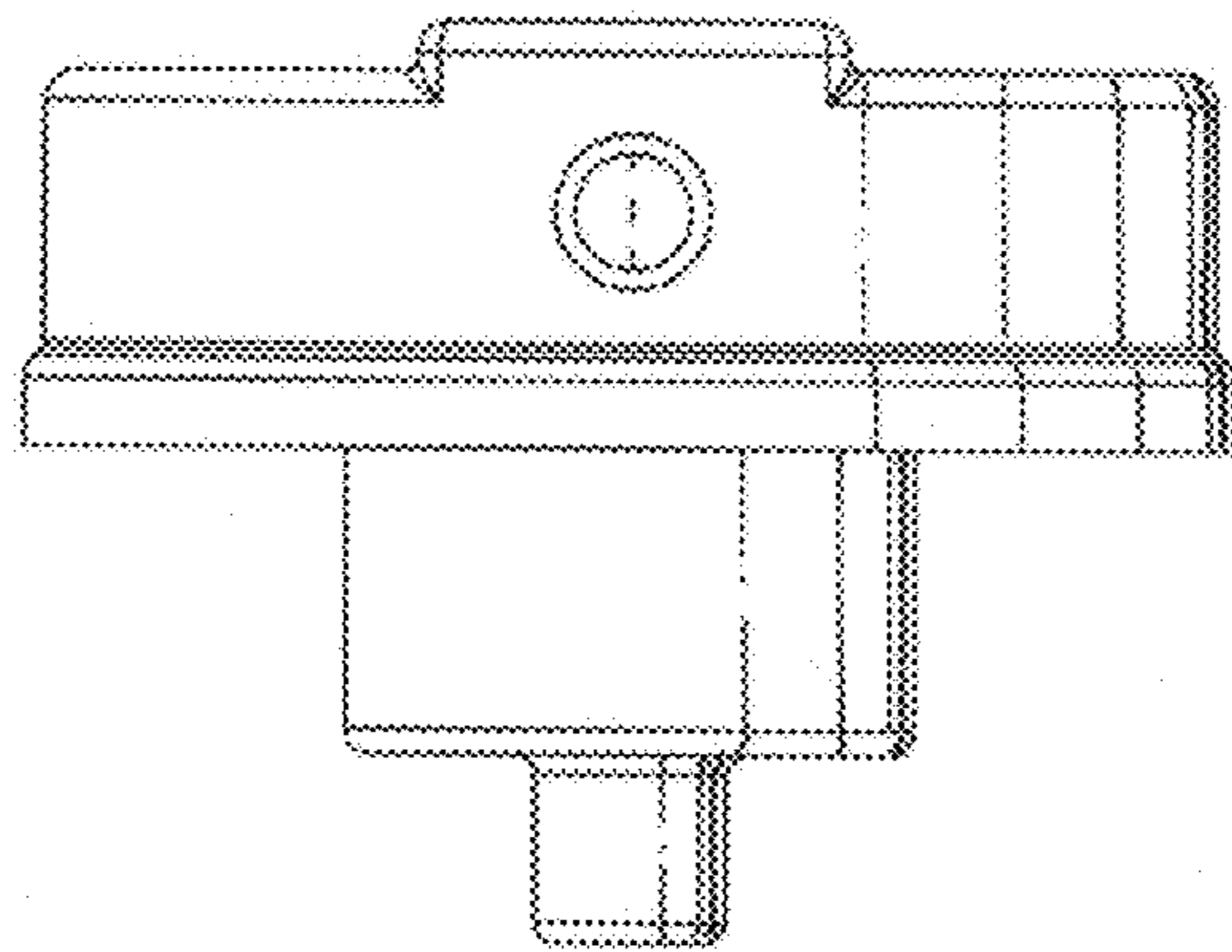


FIG. 5

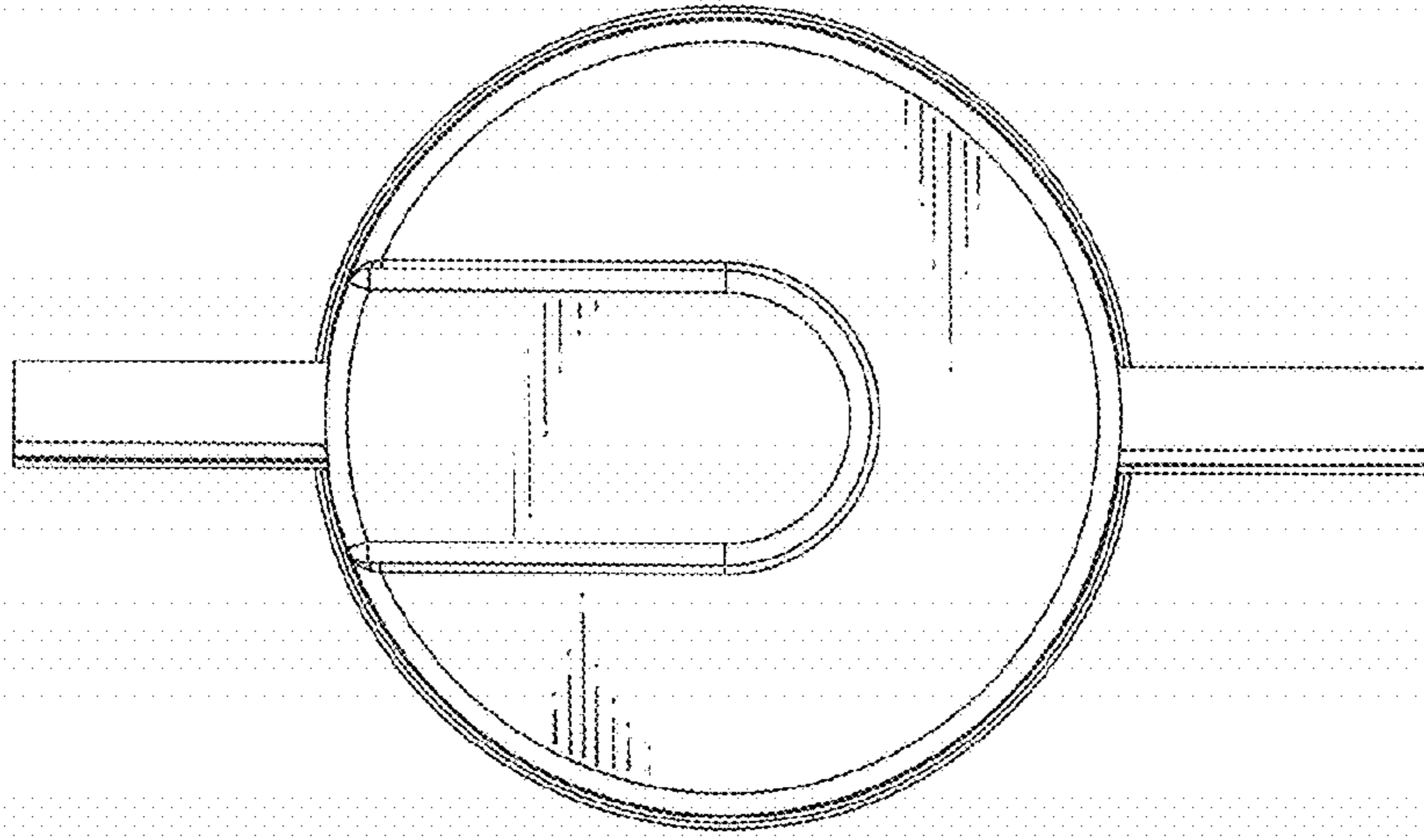


FIG. 6

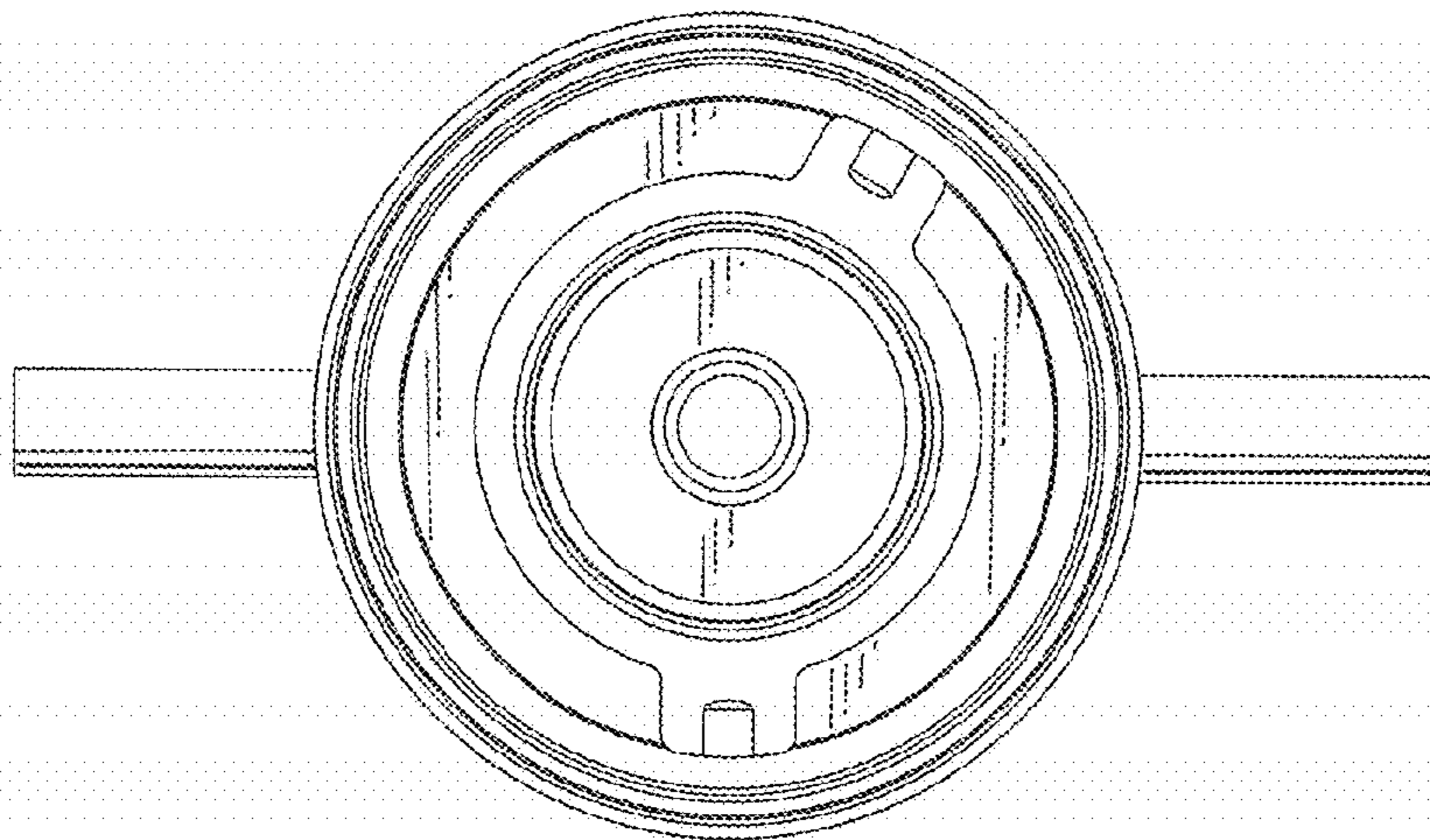


FIG. 7

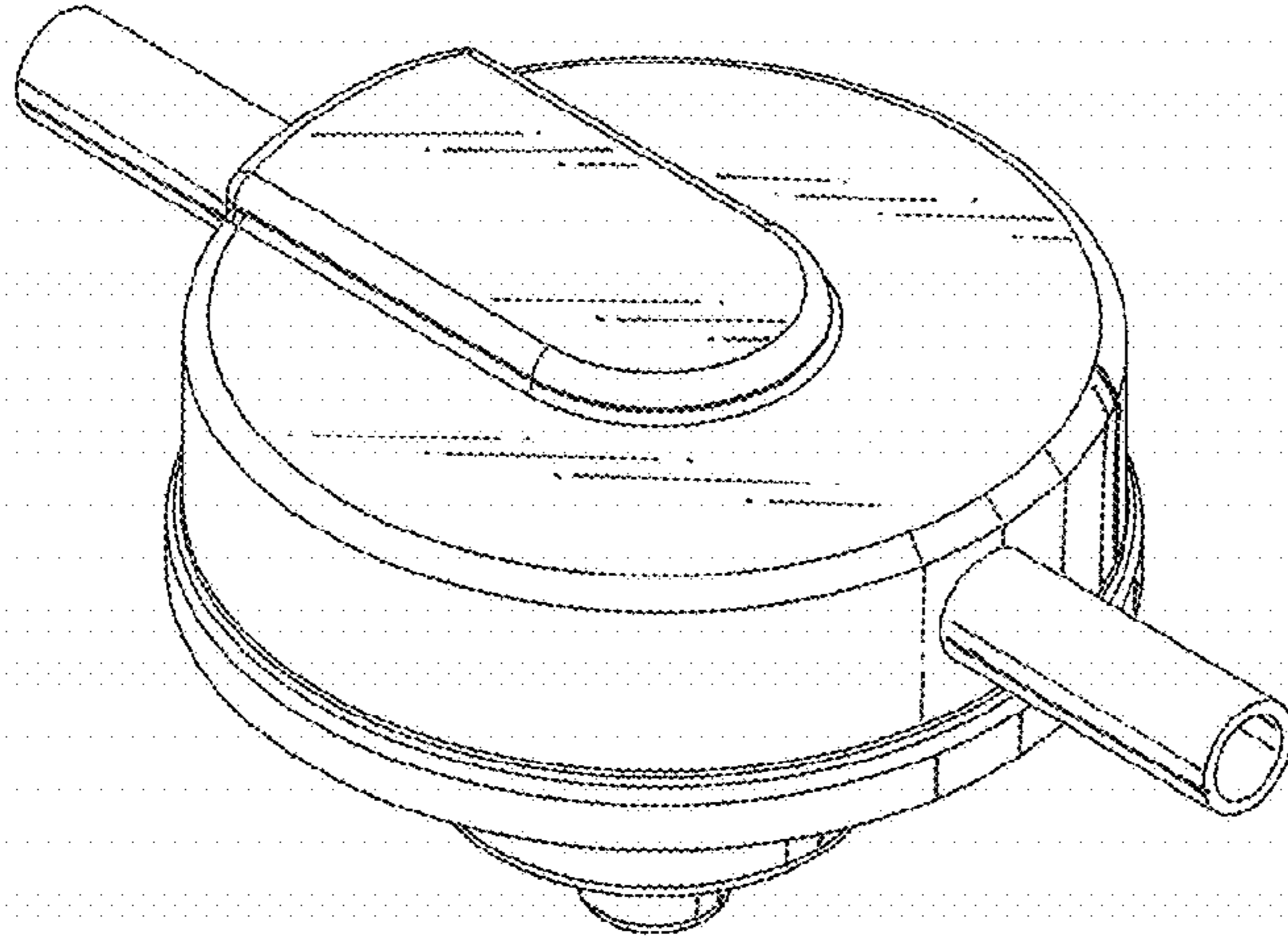


FIG. 8

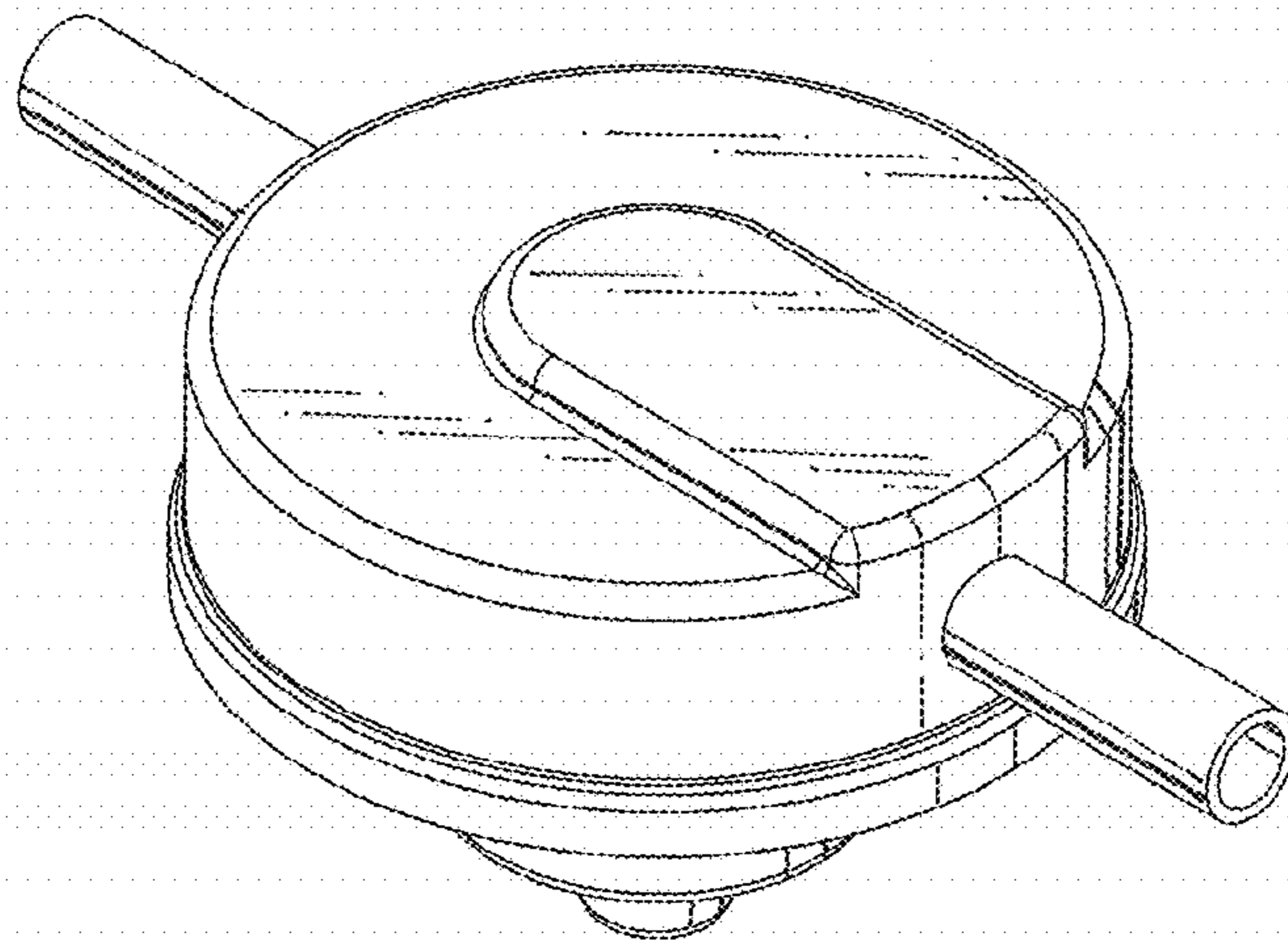


FIG. 9

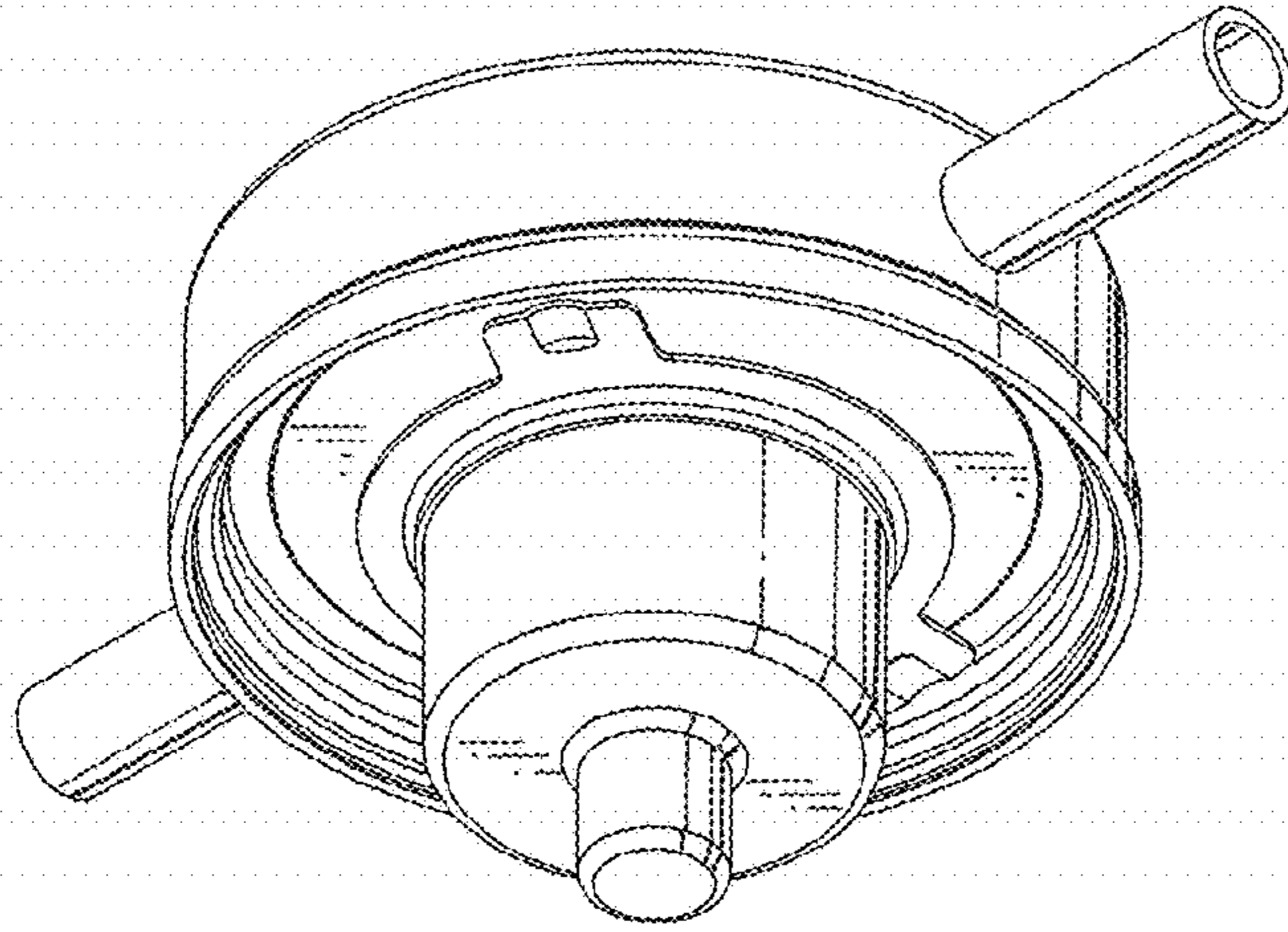


FIG. 10

