



US00D765144S

(12) **United States Design Patent** (10) **Patent No.:** **US D765,144 S**
VanderMeulen (45) **Date of Patent:** **** Aug. 30, 2016**

(54) **ENGINE HEADER**
(71) Applicant: **Keith VanderMeulen**, Santa Maria, CA (US)
(72) Inventor: **Keith VanderMeulen**, Santa Maria, CA (US)
(**) Term: **14 Years**
(21) Appl. No.: **29/514,083**
(22) Filed: **Jan. 8, 2015**
(51) **LOC (10) Cl.** **15-01**
(52) **U.S. Cl.**
USPC **D15/5**
(58) **Field of Classification Search**
USPC D15/5; 123/184.39, 184.41, 184.42, 123/184.44, 184.47, 184.53, 184.61, 123/184.34, 184.33, 184.21, 41.27, 41.73, 123/184.35, 184.36, 184.55, 572; 60/299, 60/302, 313, 323, 325, 324; D12/194, D12/110; 29/890.08; 285/150; 180/89.2, 180/296, 309; 181/227, 228, 239-241, 264, 181/282, 247-249
CPC F02M 35/10144; F02M 35/112; F02M 35/116; F02M 35/162; F02M 35/10039; F02M 35/10052; F02M 35/10078; F02M 35/10347; F02M 35/10334; F02M 35/10321; F02M 35/10098; F02M 35/10072; F02M 35/104; F02M 35/10085
See application file for complete search history.

D676,460 S * 2/2013 Grubisich D15/5
D679,288 S * 4/2013 Grubisich D15/5
D700,556 S * 3/2014 Glaeser D12/194
D700,558 S * 3/2014 Glaeser D12/194
D700,559 S * 3/2014 Glaeser D12/194
D700,560 S * 3/2014 Glaeser D12/194
D700,561 S * 3/2014 Glaeser D12/194
2009/0013679 A1* 1/2009 Abe F01N 13/102
60/321
2011/0016859 A1* 1/2011 Schumnig F01N 13/10
60/323
2011/0107996 A1* 5/2011 Menin F02B 31/06
123/184.61
2011/0315125 A1* 12/2011 Lohr F02M 35/10229
123/519

* cited by examiner

Primary Examiner — T. Chase Nelson

Assistant Examiner — Ania Aman

(74) *Attorney, Agent, or Firm* — Dunlap Bennett & Ludwig PLLC

(57) **CLAIM**

The ornamental design for an engine header, as shown and described.

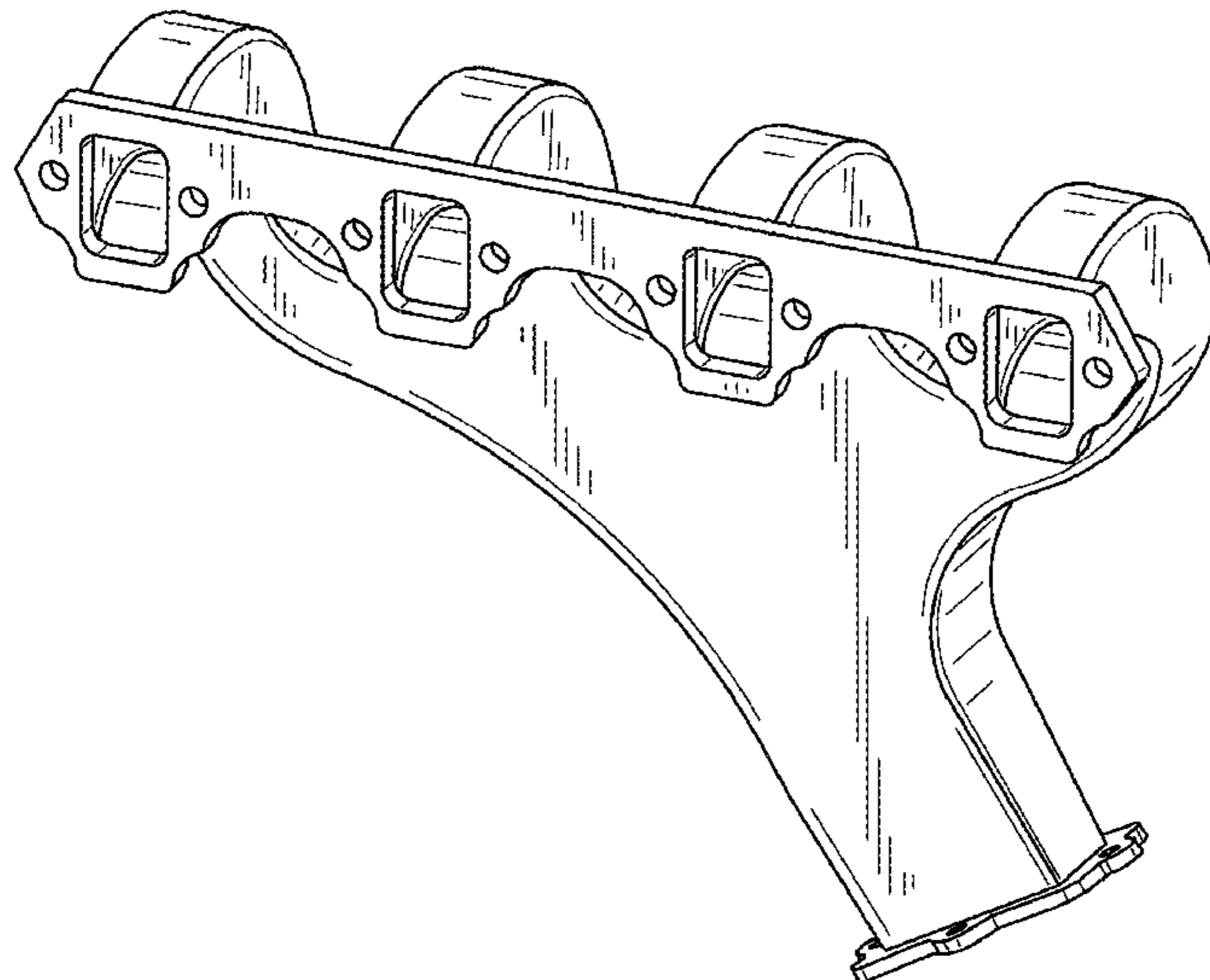
DESCRIPTION

FIG. 1 is a front perspective view of an engine header; FIG. 2 is a front elevation view thereof; FIG. 3 is a rear elevation view thereof; FIG. 4 is a left side elevation view thereof; FIG. 5 is a right side elevation view thereof; FIG. 6 is a top plan view thereof; and, FIG. 7 is a bottom plan view thereof.

1 Claim, 4 Drawing Sheets

(56) **References Cited**
U.S. PATENT DOCUMENTS

D266,168 S * 9/1982 Lindbrandt D15/5
6,553,954 B1 * 4/2003 Slonecker F02B 75/20
123/184.21



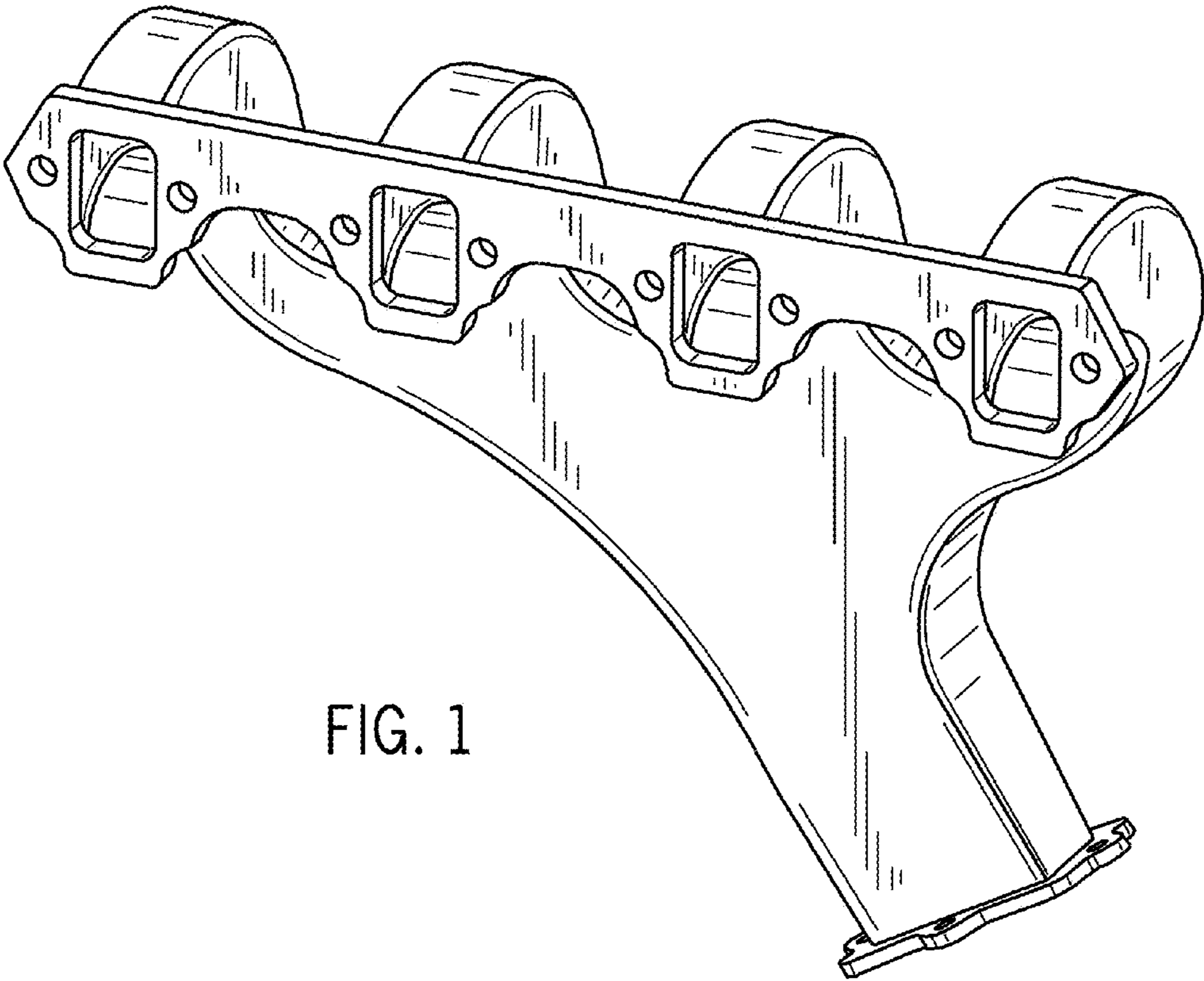


FIG. 1

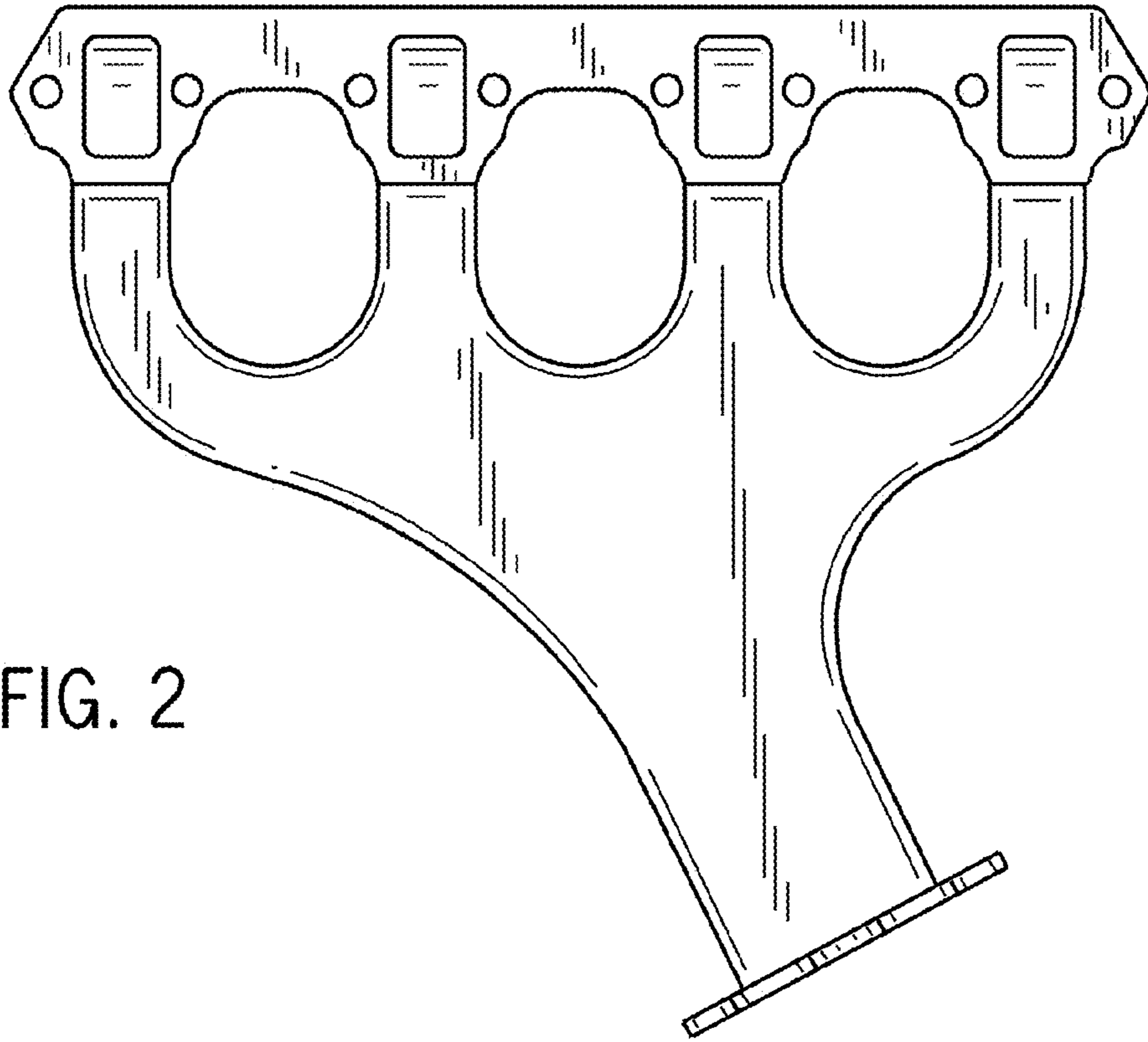


FIG. 2

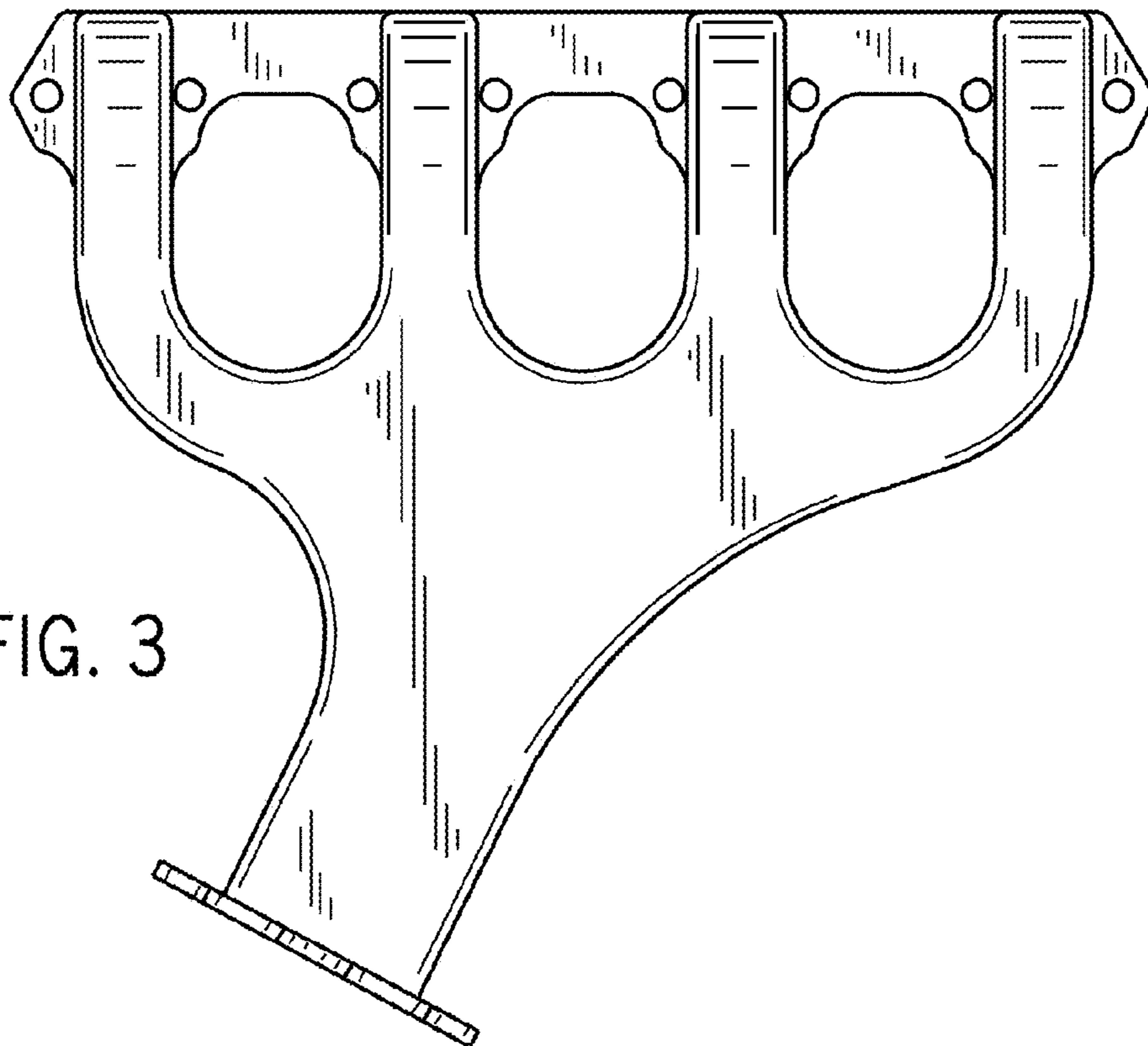


FIG. 3

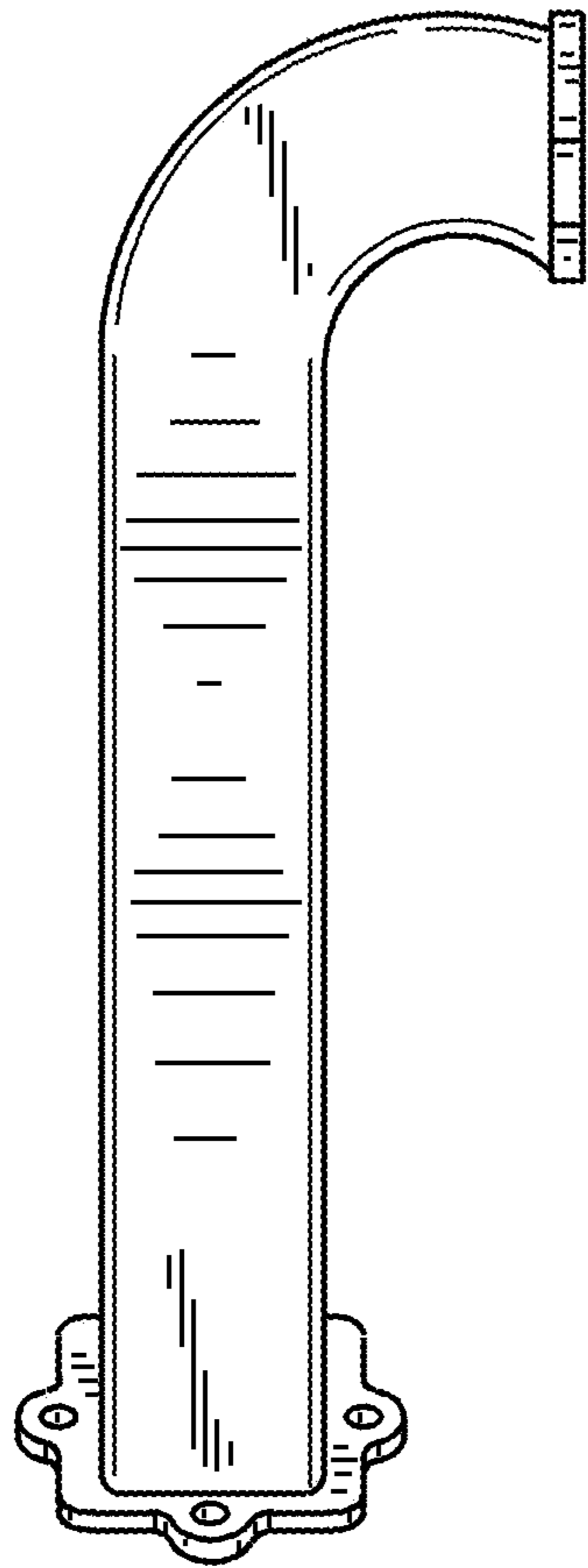


FIG. 4

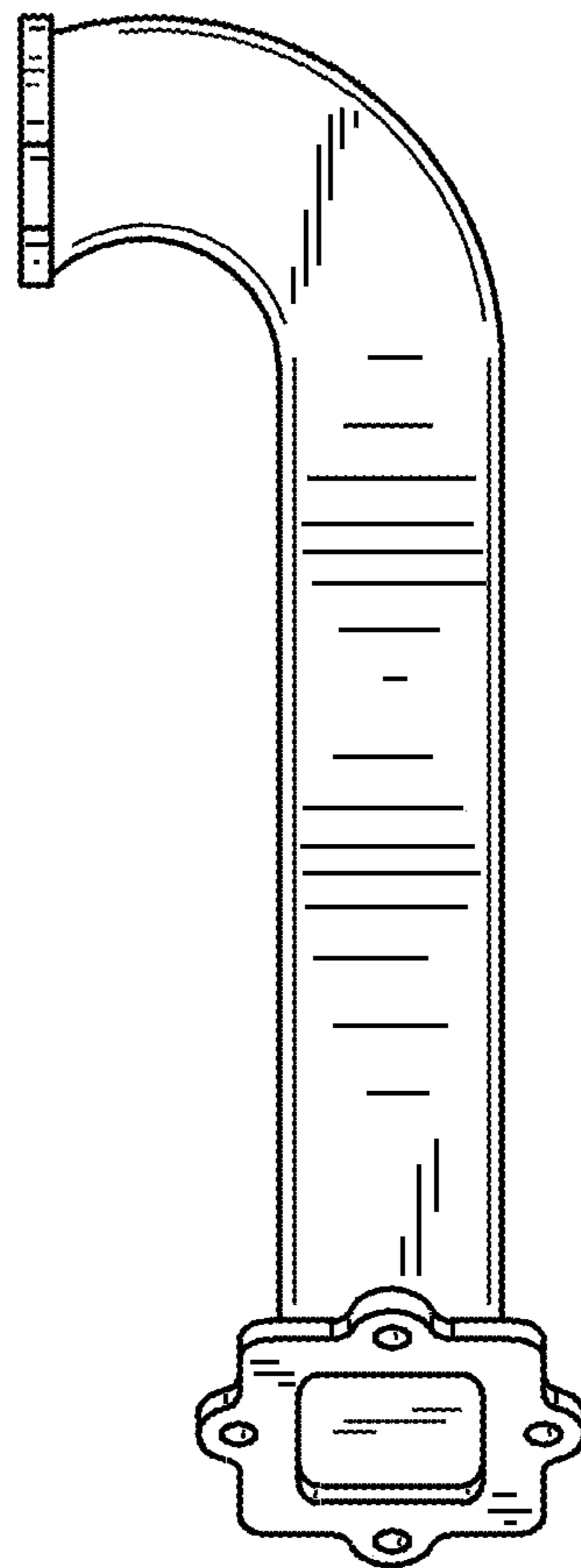


FIG. 5

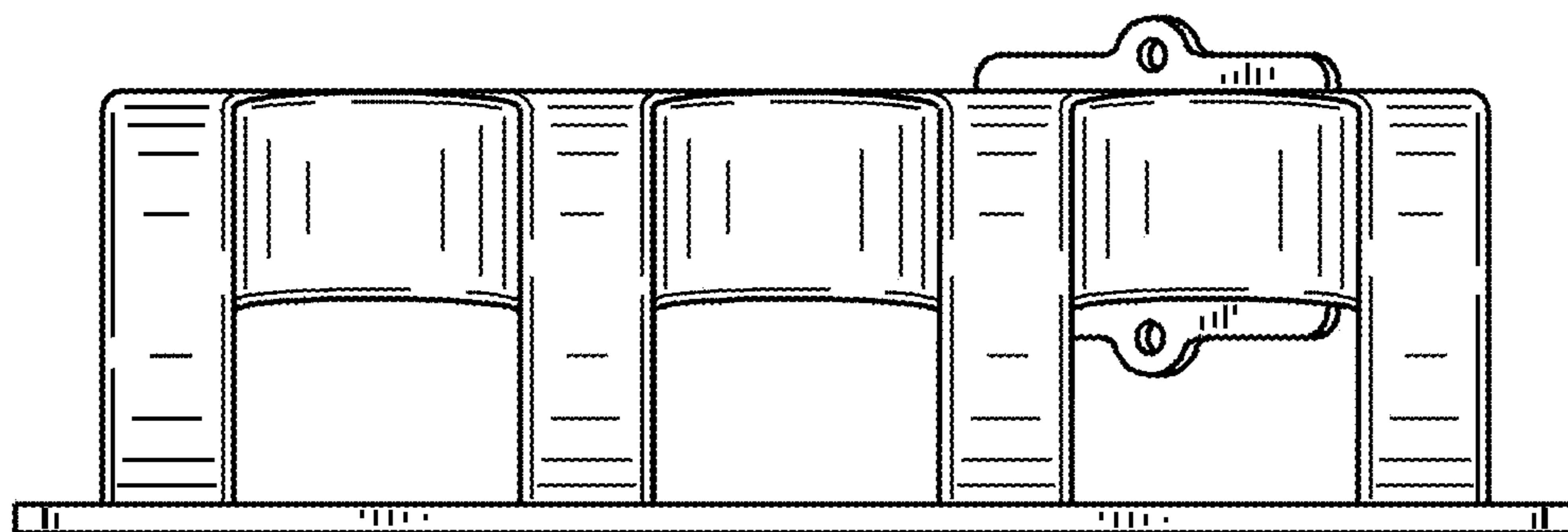


FIG. 6

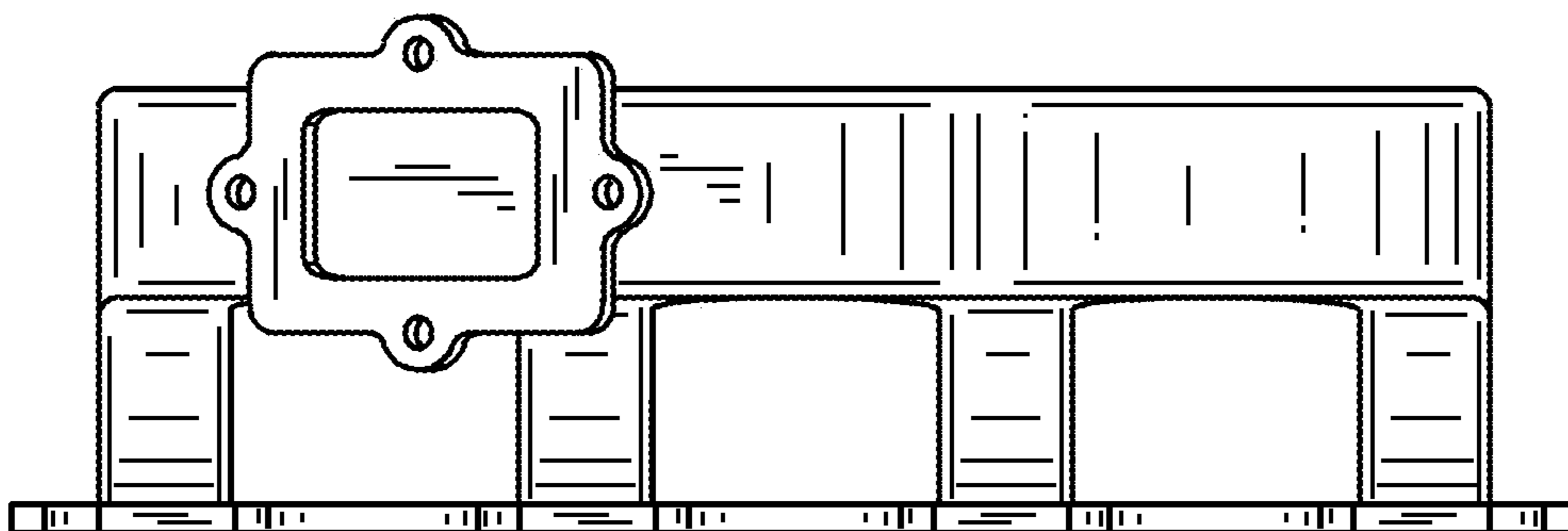


FIG. 7