



US00D765141S

(12) **United States Design Patent** (10) **Patent No.:** **US D765,141 S**  
**Simons et al.** (45) **Date of Patent:** **\*\* Aug. 30, 2016**

(54) <b>SUPERCHARGER COVER</b>	7,866,966 B2	1/2011	Swartzlander
	7,934,581 B2	5/2011	Kim et al.
(71) Applicant: <b>Edelbrock, LLC</b> , Torrance, CA (US)	8,096,797 B2	1/2012	Kaplan et al.
	8,419,399 B2	4/2013	Kaplan et al.
(72) Inventors: <b>Robert Simons</b> , Torrance, CA (US); <b>Chad Magana</b> , Torrance, CA (US)	8,632,324 B2	1/2014	Swartzlander
	2003/0084888 A1	5/2003	LeBold et al.
	2014/0017101 A1*	1/2014	Staley ..... F02B 33/38 417/319
(73) Assignee: <b>Eaton Corporation</b> , Cleveland, OH (US)	2014/0209071 A1	7/2014	Rienas et al.
	2015/0047617 A1*	2/2015	Benjey ..... B60K 6/485 123/559.3

(\*\*) Term: **14 Years**

\* cited by examiner

(21) Appl. No.: **29/495,321**

*Primary Examiner* — T. Chase Nelson

*Assistant Examiner* — Ania Aman

(22) Filed: **Jun. 30, 2014**

(74) *Attorney, Agent, or Firm* — Remarck Law Group PLC

**Related U.S. Application Data**

(63) Continuation of application No. 29/480,271, filed on Jan. 24, 2014, now Pat. No. Des. 732,081.

(51) **LOC (10) Cl.** ..... **15-01**

(52) **U.S. Cl.**  
USPC ..... **D15/5**

(58) **Field of Classification Search**  
USPC ..... D15/1-6; 123/559.1, 563; 415/17.4,  
415/319, 139, 201.1, 206.1; 60/599, 611  
See application file for complete search history.

(56) **References Cited**

**U.S. PATENT DOCUMENTS**

2,654,530 A	8/1949	Oldberg	
4,556,373 A	12/1985	Soeters, Jr.	
4,609,335 A	9/1986	Uthoff, Jr.	
4,768,934 A	9/1988	Soeters, Jr.	
4,844,044 A	7/1989	McGovern	
5,078,583 A	1/1992	Hampton et al.	
5,083,907 A	1/1992	Brownell	
6,758,661 B1*	7/2004	Thelen	..... F02B 33/38 418/206.1
6,884,050 B2	4/2005	Prior	

(57) **CLAIM**

The ornamental design for a supercharger cover, as shown and described.

**DESCRIPTION**

FIG. 1 is a perspective view of a supercharger cover showing the new design.

FIG. 2 is a rear view of the supercharger cover of FIG. 1.

FIG. 3 is a front view of the supercharger cover of FIG. 1.

FIG. 4 is a top plan view of the supercharger cover of FIG. 1.

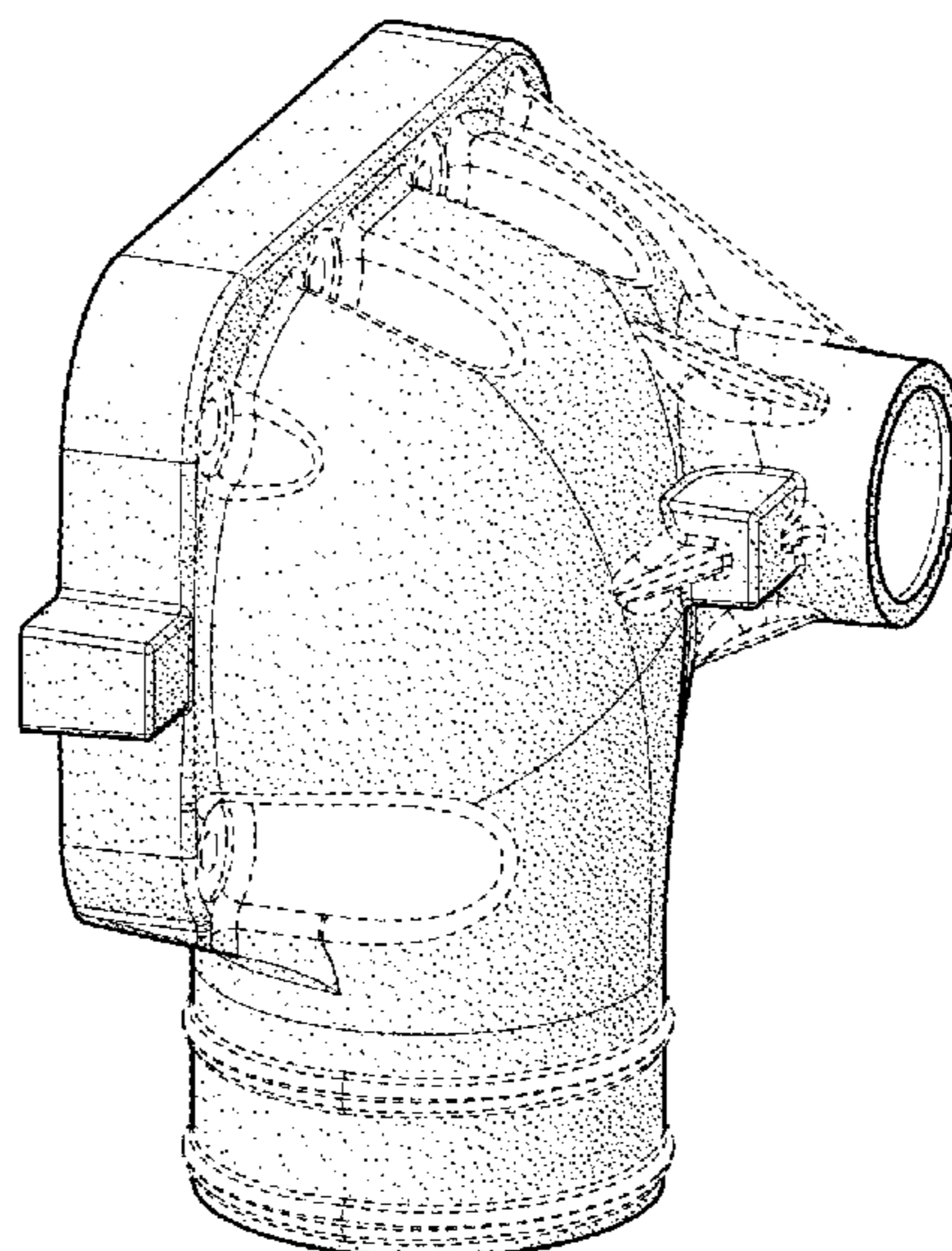
FIG. 5 is a bottom plan view of the supercharger cover of FIG. 1.

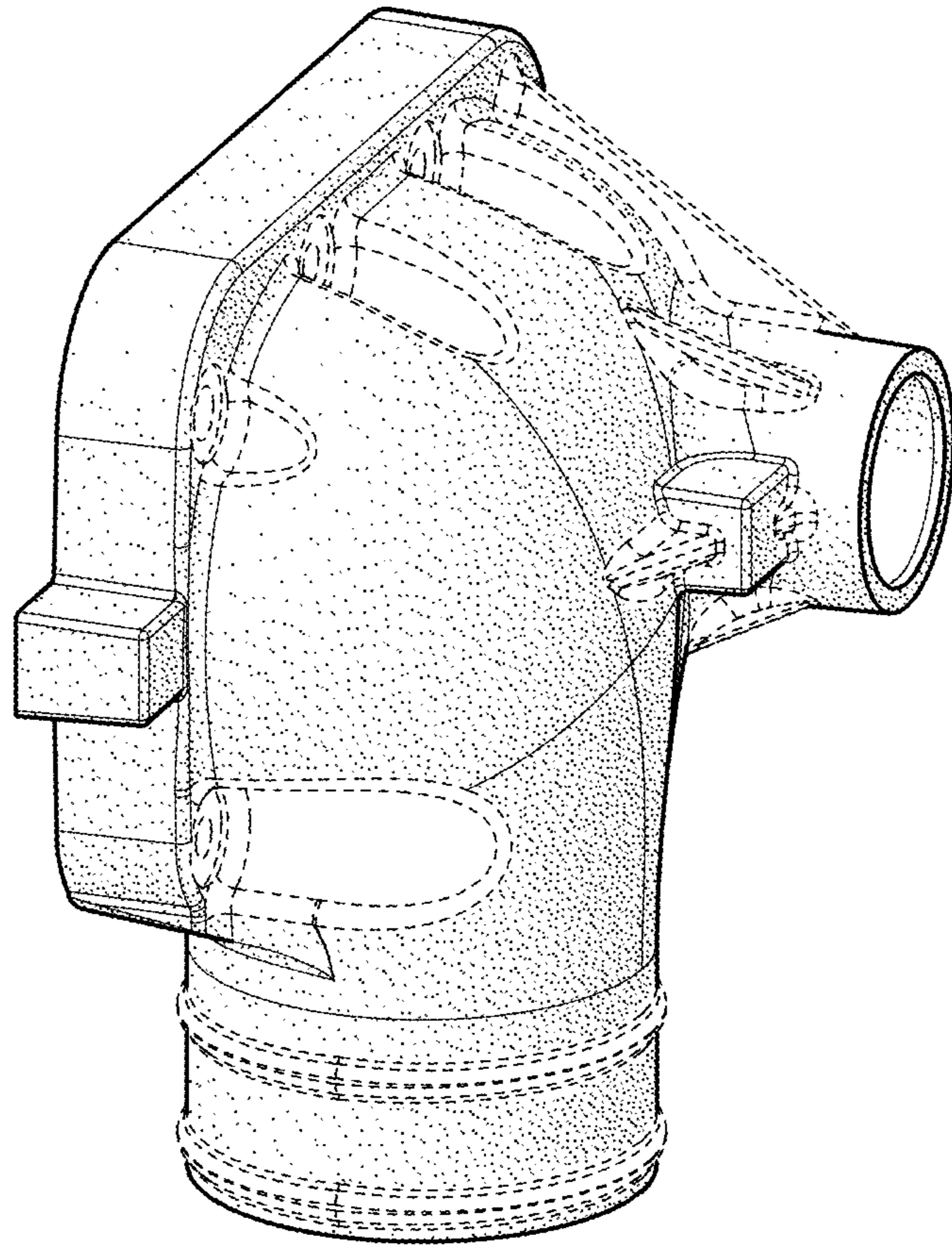
FIG. 6 is a first side view of the supercharger cover of FIG. 1; and,

FIG. 7 is a second side view of the supercharger cover of FIG. 1.

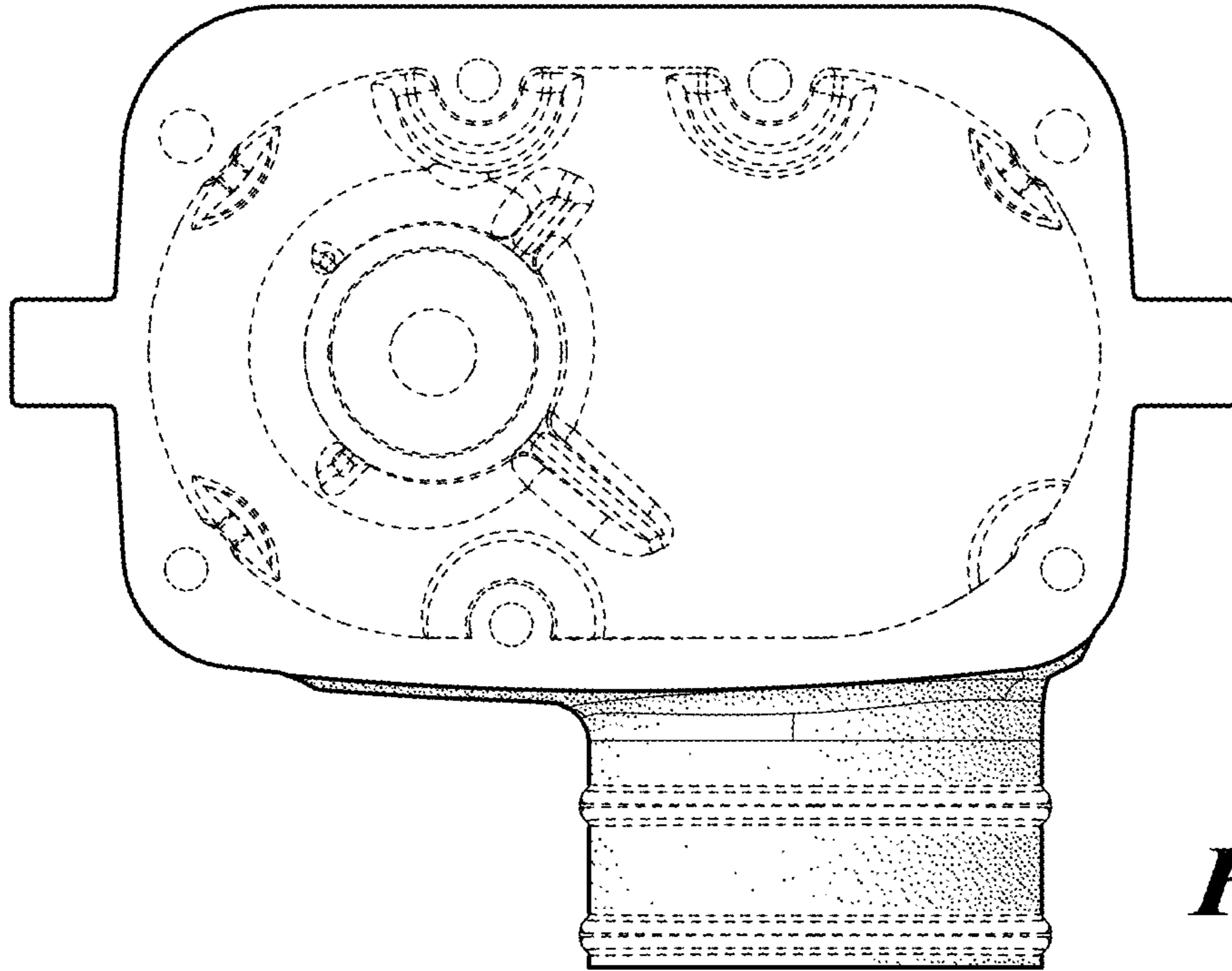
Any portion of the supercharger cover shown in broken lines is for the purpose of illustrating environmental structure and forms no part of the claimed design.

**1 Claim, 4 Drawing Sheets**

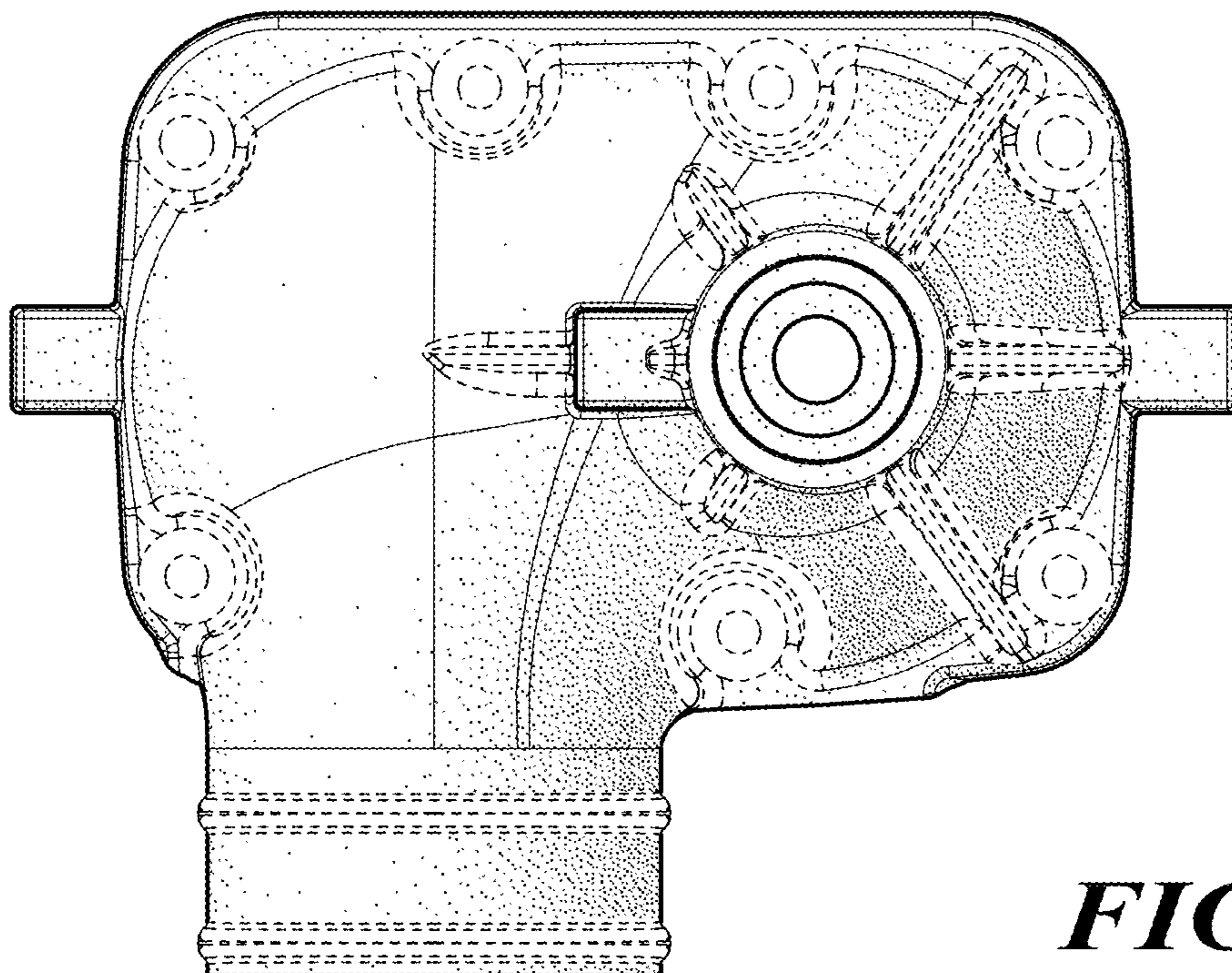




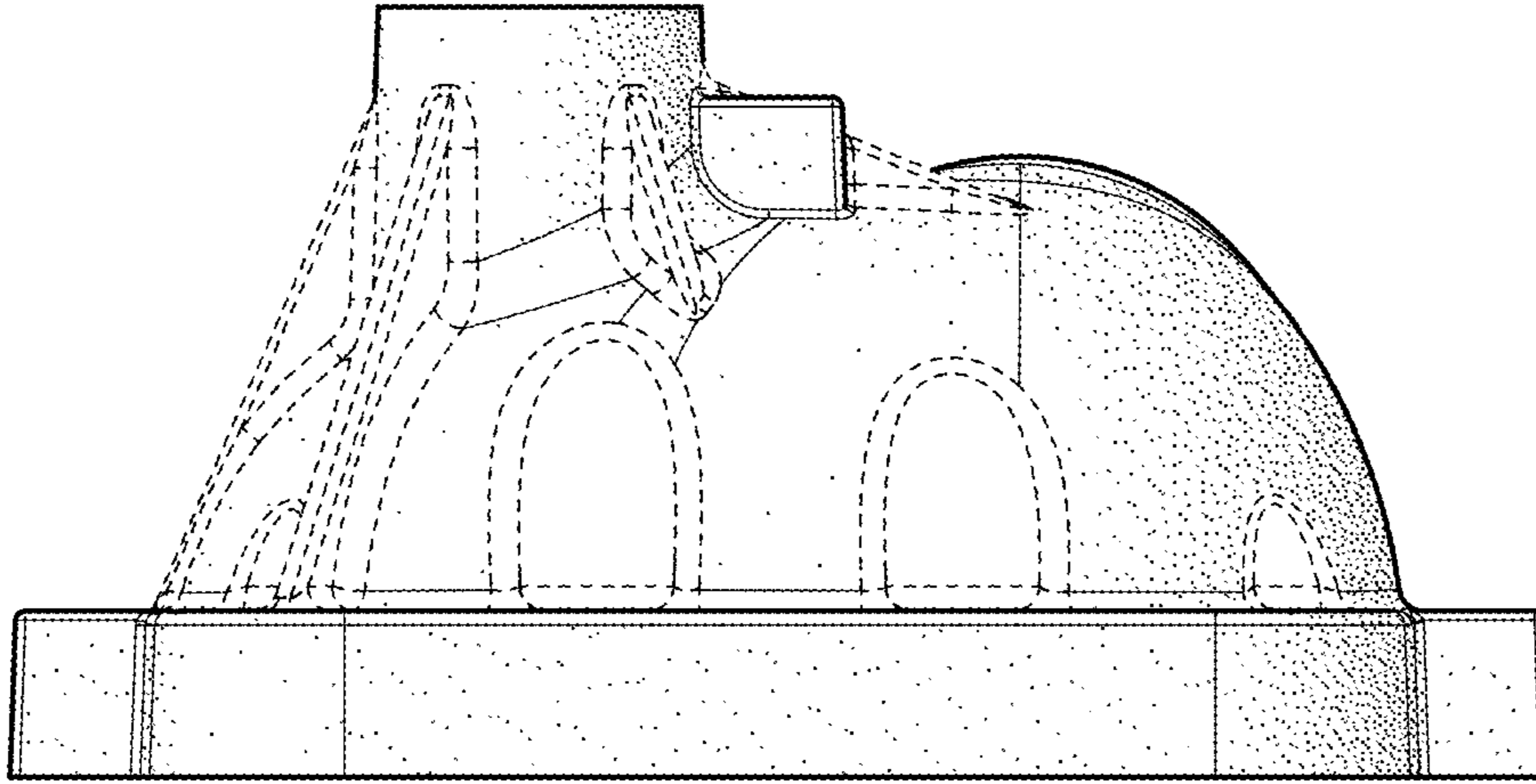
***FIG. 1***



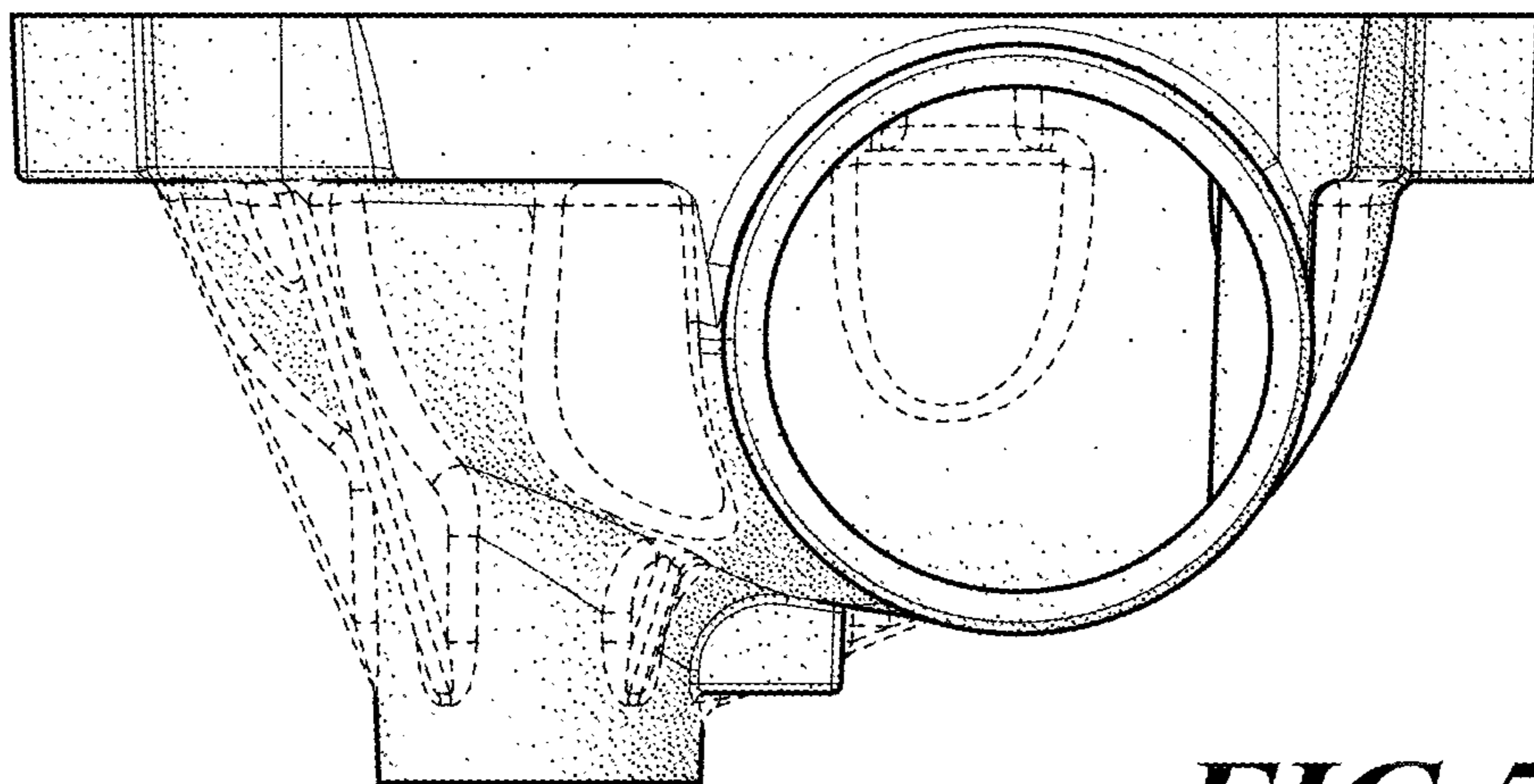
**FIG. 2**



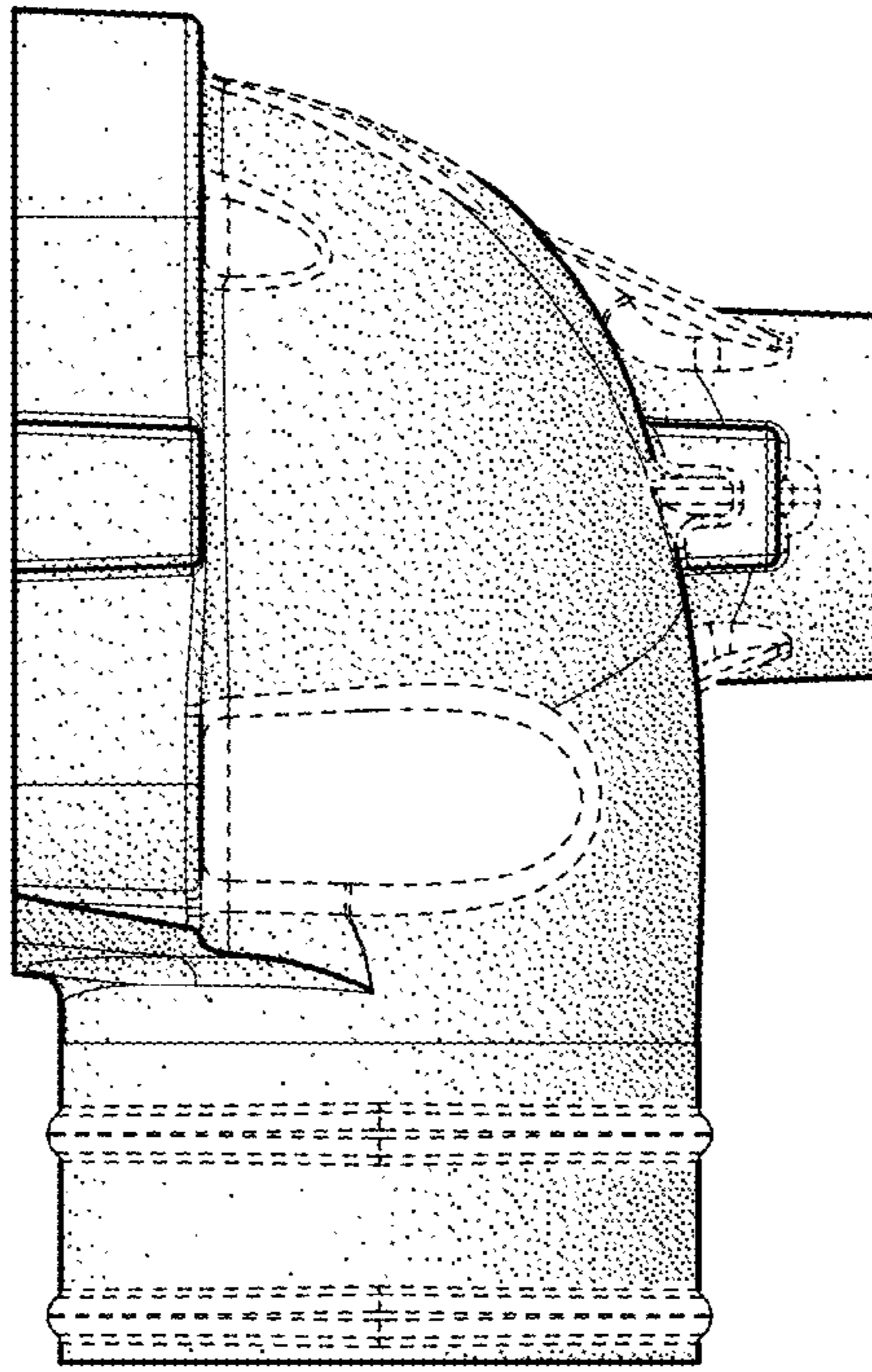
**FIG. 3**



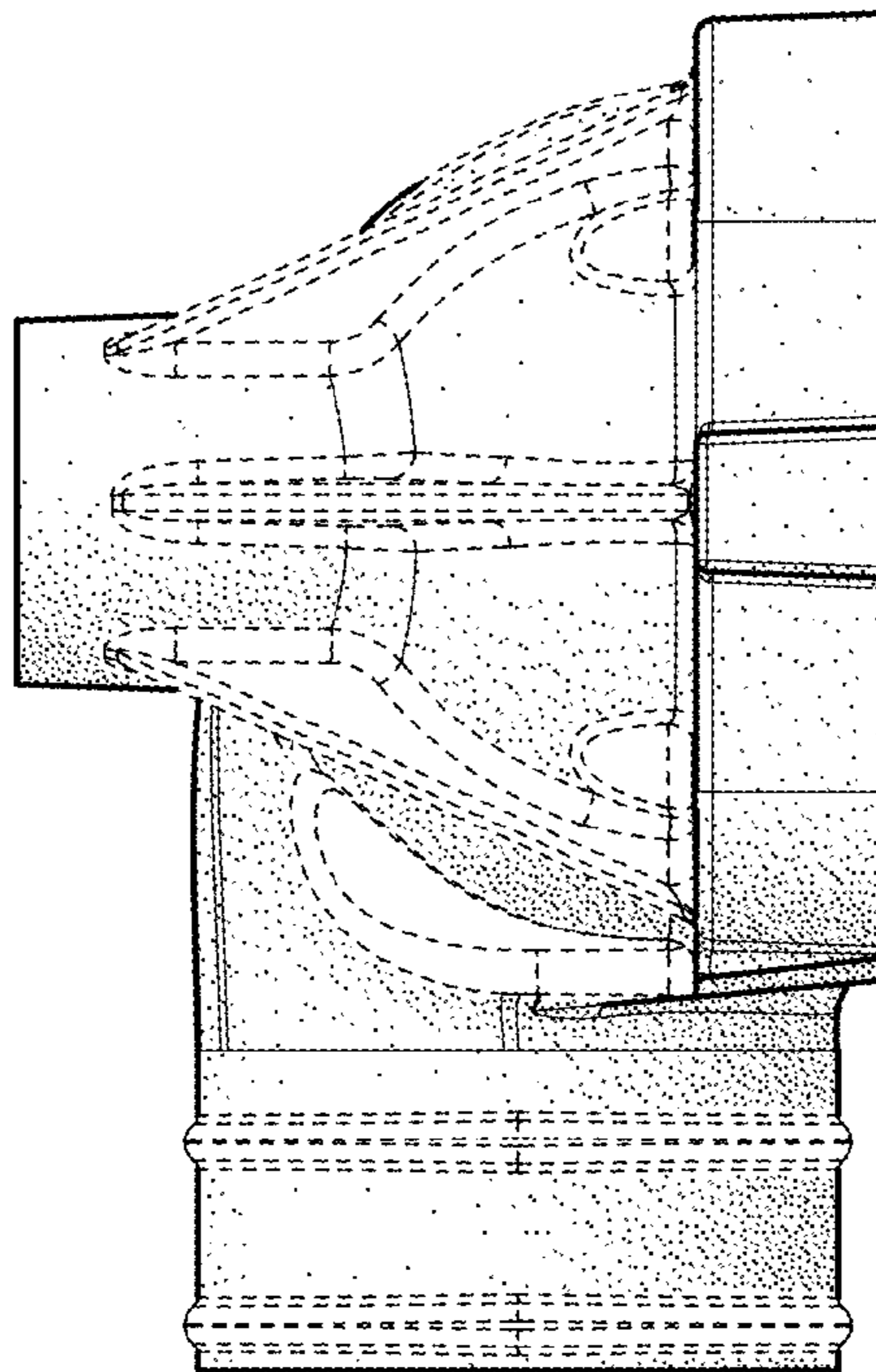
**FIG. 4**



**FIG. 5**



**FIG. 6**



**FIG. 7**