



US00D765140S

(12) **United States Design Patent** (10) **Patent No.:** **US D765,140 S**
Peng et al. (45) **Date of Patent:** **** Aug. 30, 2016**

- (54) **MEDIA PLAYER** 5,429,361 A * 7/1995 Raven G07F 9/08
463/25
- (71) Applicant: **Western Digital Technologies, Inc.,** 5,552,799 A * 9/1996 Hashiguchi G06F 3/14
Irvine, CA (US) 273/148 B
- (72) Inventors: **Steven T. Peng,** Irvine, CA (US); 5,914,707 A 6/1999 Kono
Charles R. Lewis, Jr., Palo Alto, CA 6,468,160 B2* 10/2002 Elliott A63F 13/12
(US) 463/41
- (73) Assignee: **Western Digital Technologies, Inc.,** 6,821,304 B2 11/2004 Kurahashi et al.
Irvine, CA (US) 6,908,387 B2 6/2005 Hedrick et al.
6,955,606 B2 10/2005 Taho et al.
D526,648 S 8/2006 Andre et al.
- (**) Term: **14 Years** D544,497 S * 6/2007 Kindle D14/496
D558,790 S 1/2008 Yu et al.
D563,994 S * 3/2008 Liu D14/356
D575,800 S * 8/2008 Kusano D14/496
D575,801 S 8/2008 Kusano et al.
- (21) Appl. No.: **29/521,107** D594,875 S 6/2009 Sheba et al.
- (22) Filed: **Mar. 19, 2015** D601,583 S 10/2009 Andre et al.
D615,555 S * 5/2010 Ho D14/203.1
D620,953 S 8/2010 Andre et al.

Related U.S. Application Data

(62) Division of application No. 29/467,896, filed on Sep. 24, 2013, now Pat. No. Des. 727,360.

(51) **LOC (10) Cl.** **14-03**

(52) **U.S. Cl.**
USPC **D14/496**

(58) **Field of Classification Search**
USPC D14/496, 401, 435, 474, 483, 217, 137,
D14/138, 160, 168, 356, 203.1-203.8, 507;
345/156, 169, 173-179, 905;
715/727-729, 864; 710/1, 5, 8; 713/1,
713/600; 455/1.1, 1.7, 73, 344-347, 93, 95,
455/3.01-3.06, 550.1, 573.1; 370/342-344;
369/1, 2, 6-12; 463/43-47; 273/148 B
CPC A63F 9/22; A63F 9/24; A63F 13/00;
A63F 13/12; G09G 5/00; G09G 5/12
See application file for complete search history.

(56) **References Cited**

U.S. PATENT DOCUMENTS

- 4,159,417 A * 6/1979 Rubincam G03H 1/30
235/375
- 5,326,104 A * 7/1994 Pease A63F 3/081
273/269

(Continued)

Primary Examiner — Prabhakar Deshmukh

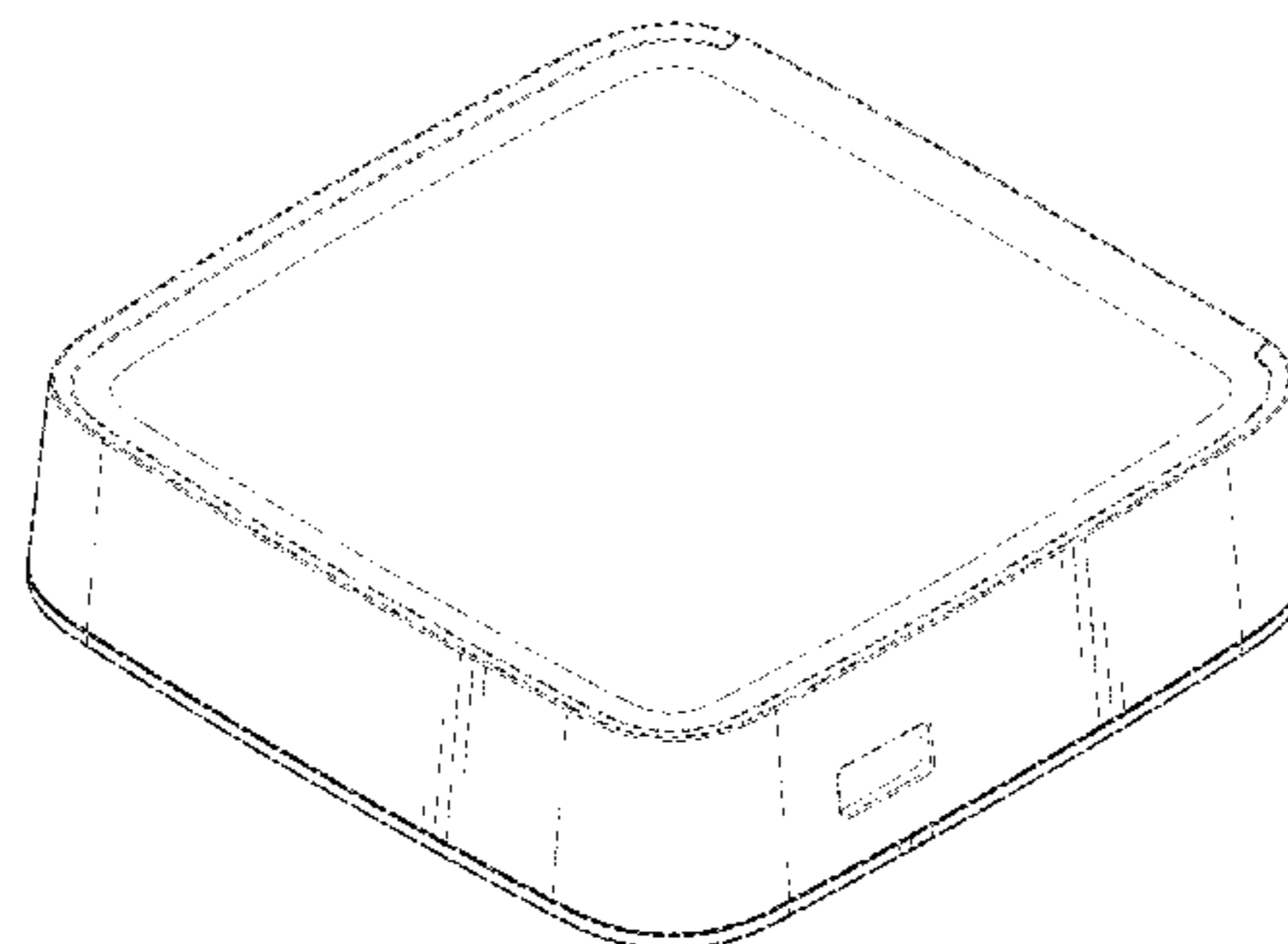
(57) **CLAIM**

The ornamental design for a media player, as shown and described.

DESCRIPTION

FIG. 1 is a top, front and side perspective view of a media player showing our new design;
FIG. 2 is a front elevational view thereof;
FIG. 3 is a rear elevational view thereof;
FIG. 4 is a right side elevational view thereof;
FIG. 5 is a left side elevational view thereof;
FIG. 6 is a top plan view thereof; and,
FIG. 7 is a bottom plan view thereof.
The shading adjacent to the broken lines define the bounds of the claimed design. All other broken lines indicate unclaimed portions of the claimed design. None of the broken lines form part of the claimed design.

1 Claim, 5 Drawing Sheets



US D765,140 S

Page 2

(56)

References Cited

U.S. PATENT DOCUMENTS

D621,282 S 8/2010 Yagi
D633,503 S * 3/2011 Bo D14/434
D650,394 S 12/2011 Seoc et al.

D676,005 S 2/2013 Wood et al.
D685,392 S 7/2013 Chamness et al.
D687,068 S 7/2013 Paradise et al.
D707,667 S 6/2014 Kono et al.
D727,360 S 4/2015 Peng et al.

* cited by examiner

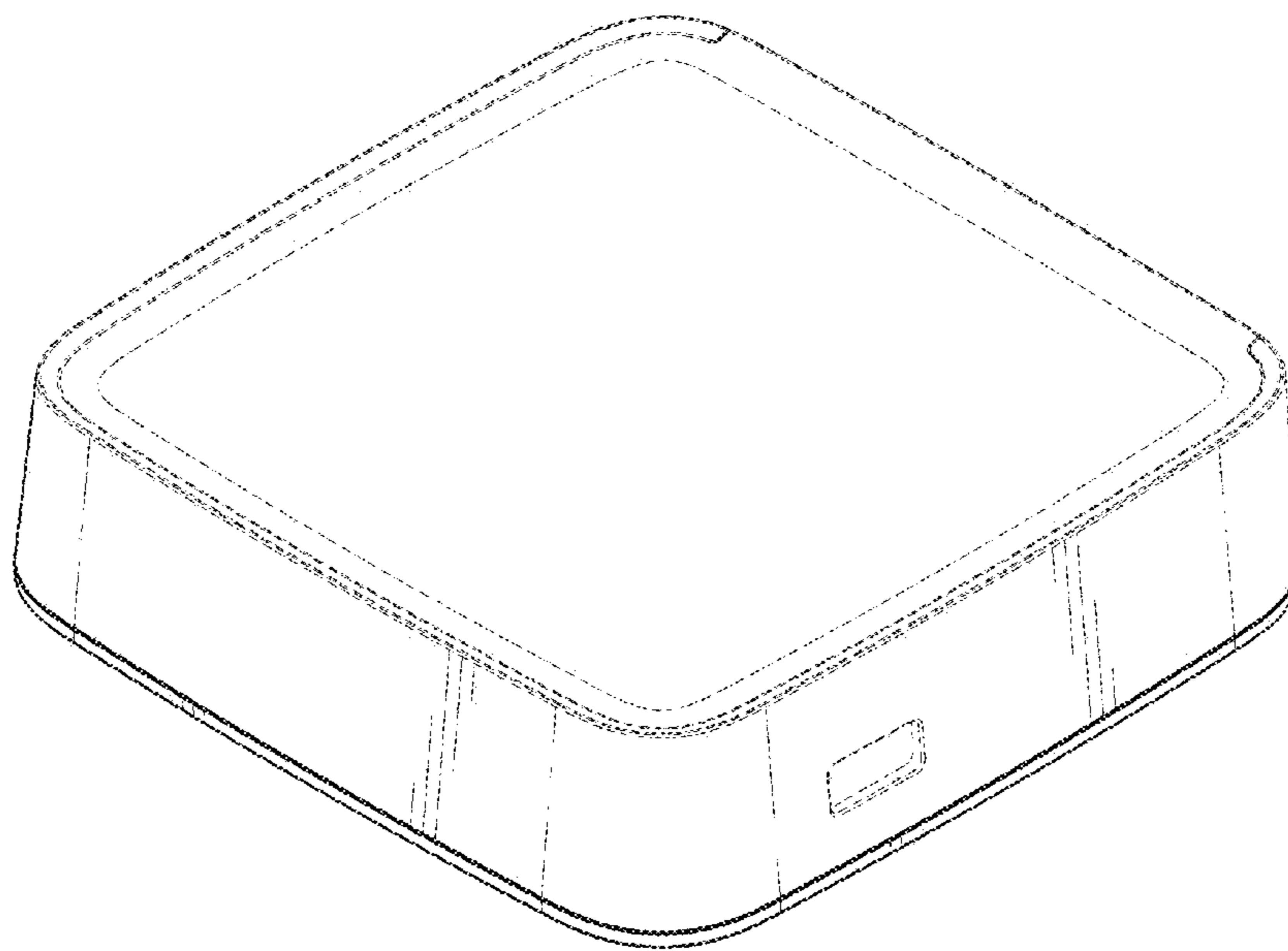


FIG. 1

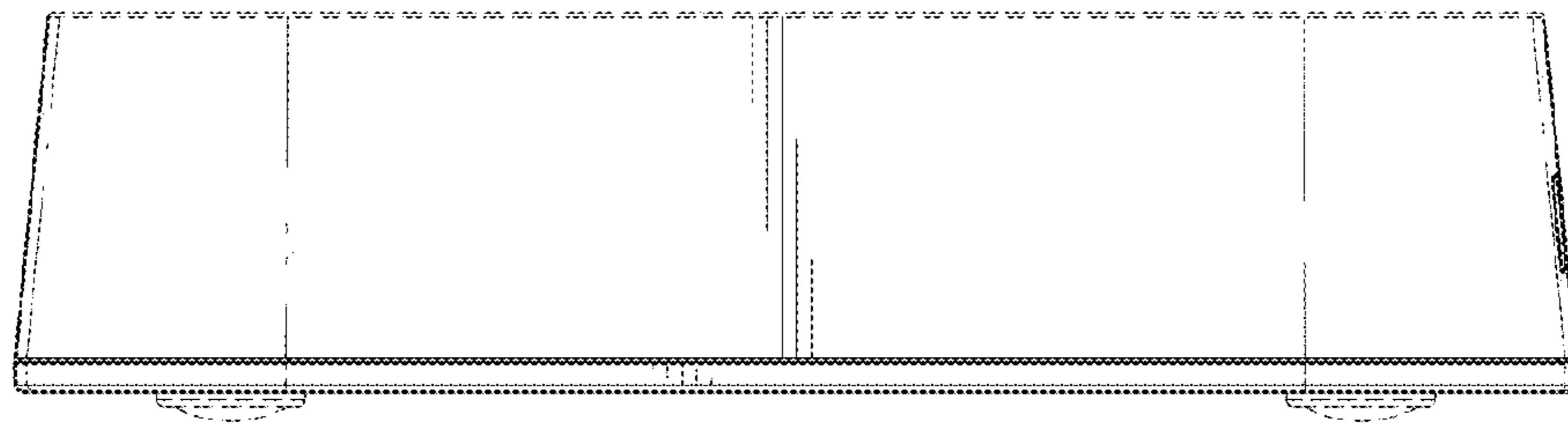


FIG. 2

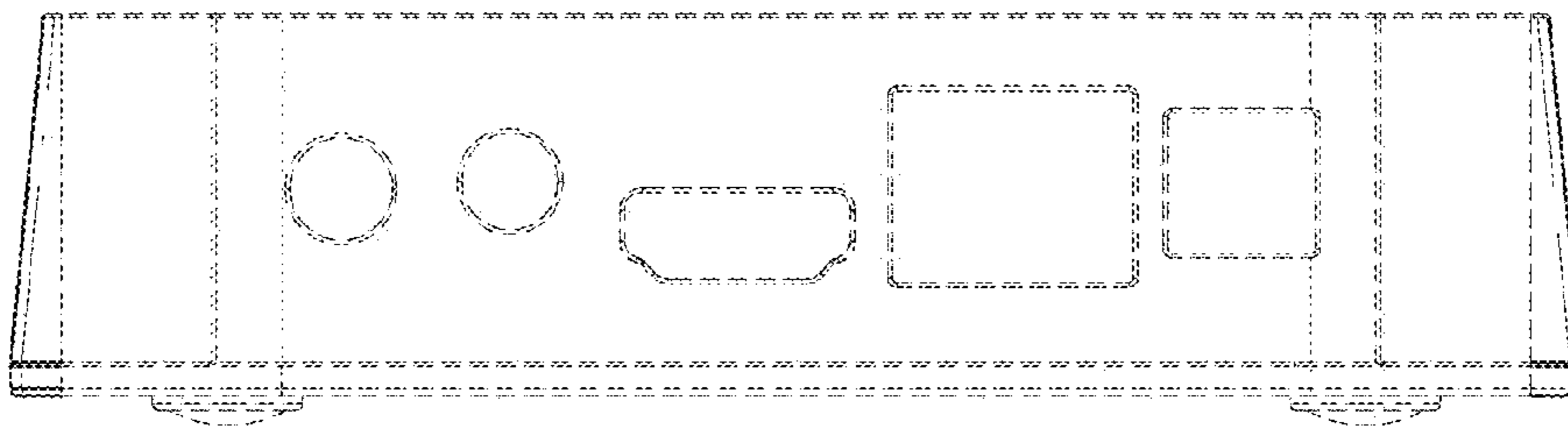


FIG. 3

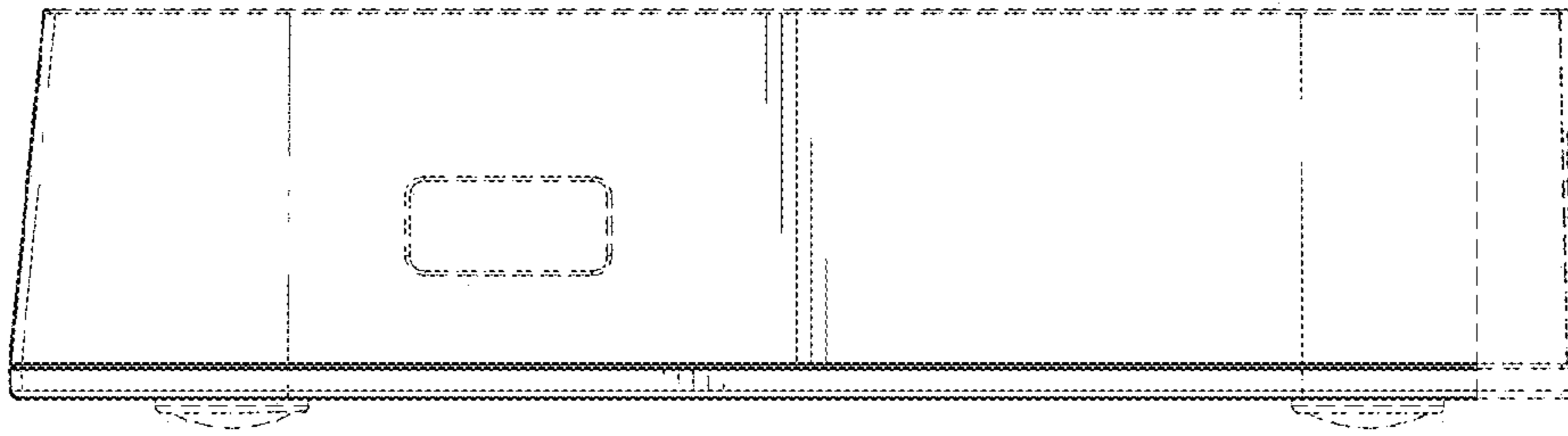


FIG. 4

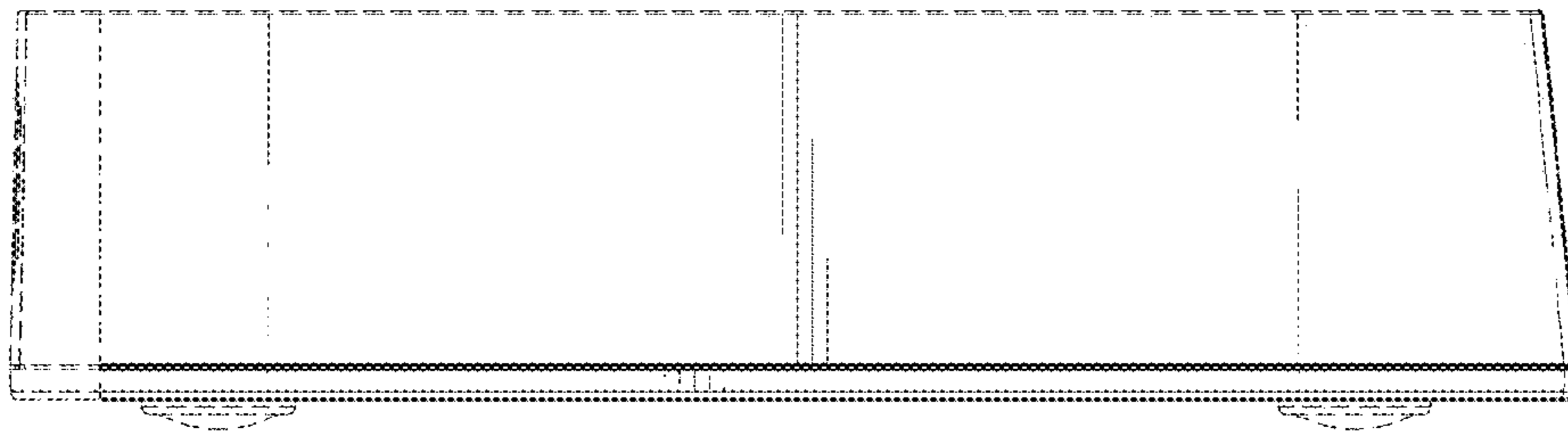


FIG. 5

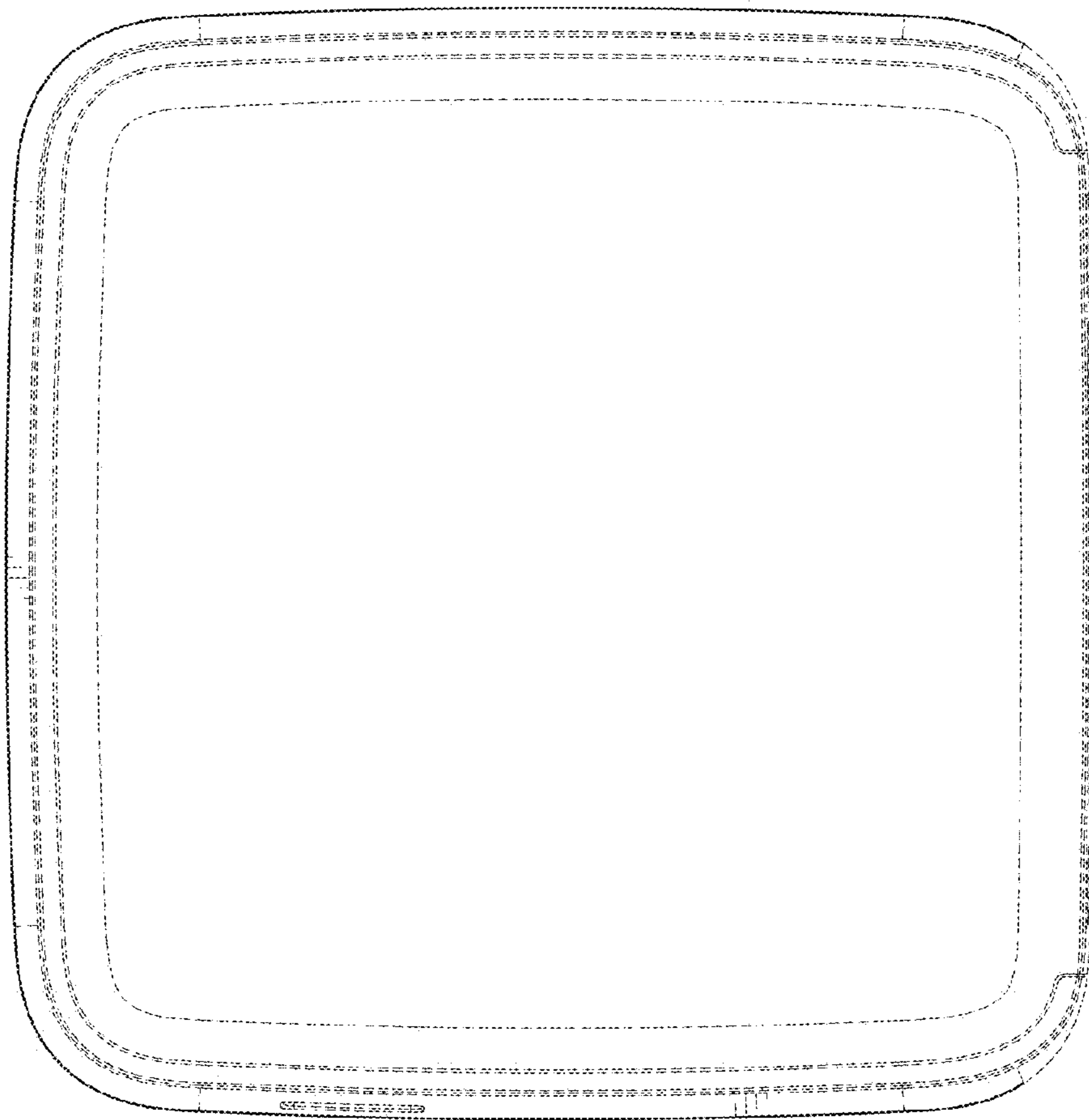


FIG. 6

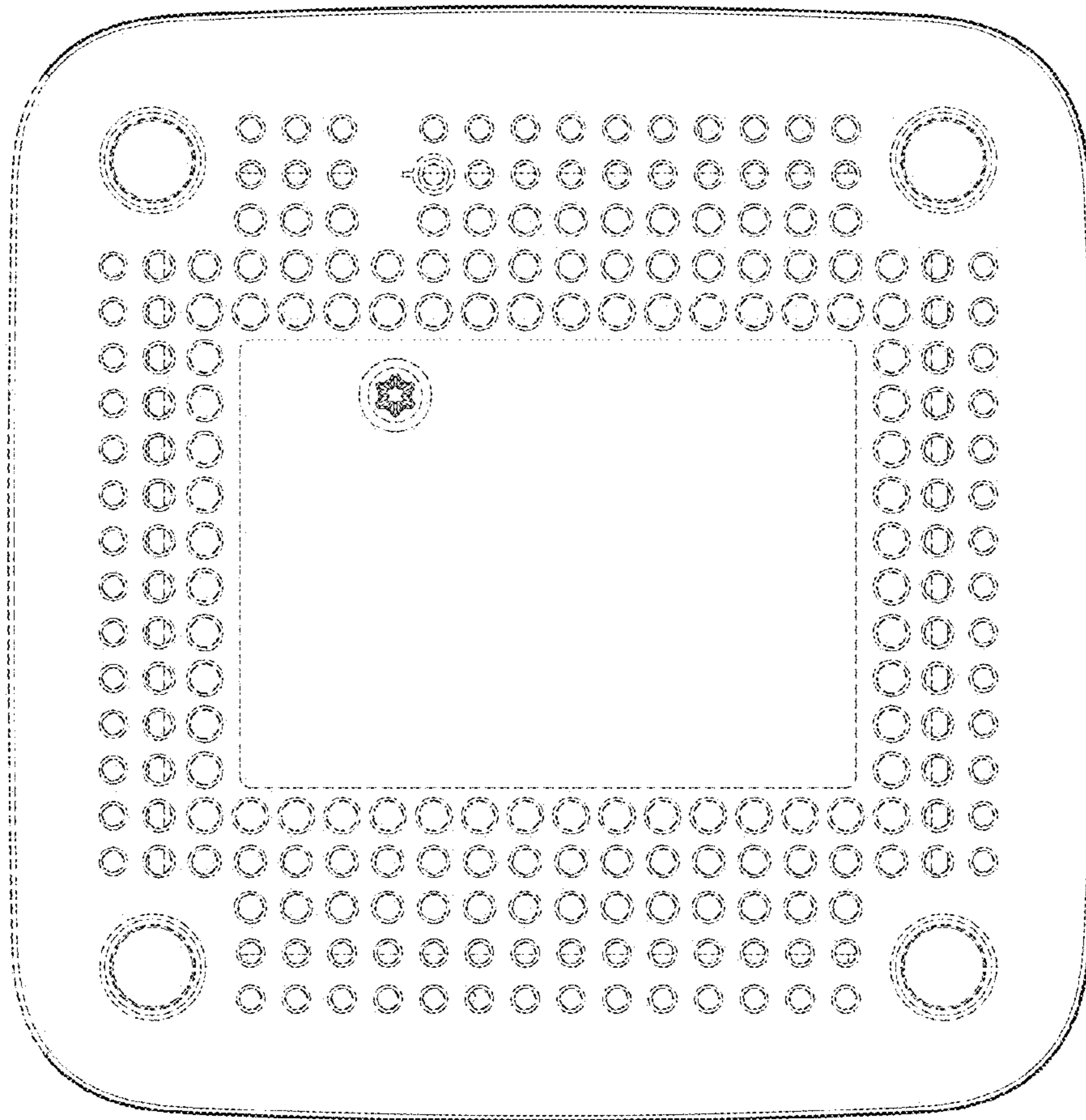


FIG. 7