



US00D765091S

(12) **United States Design Patent**
Del Lima et al.

(10) **Patent No.:** **US D765,091 S**

(45) **Date of Patent:** **** Aug. 30, 2016**

(54) **DISPLAY SCREEN OR PORTION THEREOF WITH ANIMATED USER INTERFACE**

(71) Applicant: **VISA INTERNATIONAL SERVICE ASSOCIATION**, San Francisco, CA (US)

(72) Inventors: **Mark Del Lima**, Palo Alto, CA (US); **Jeremy Sutherland**, Palo Alto, CA (US); **Nina D. Wang**, Palo Alto, CA (US)

(73) Assignee: **VISA INTERNATIONAL SERVICE ASSOCIATION**, San Francisco, CA (US)

(**) Term: **14 Years**

(21) Appl. No.: **29/475,688**

(22) Filed: **Dec. 5, 2013**

(51) **LOC (10) Cl.** **14-04**

(52) **U.S. Cl.**
USPC **D14/485**
CPC **G06F 3/04817** (2013.01)

(58) **Field of Classification Search**
USPC D14/485-495; 715/700-867, 973-977
CPC G06F 3/0481-3/0486
See application file for complete search history.

(56) **References Cited**

U.S. PATENT DOCUMENTS

- 5,889,951 A * 3/1999 Lombardi G06F 17/30902
707/E17.12
- 6,549,219 B2 * 4/2003 Selker G06F 3/0482
345/902
- D474,197 S * 5/2003 Nguyen D14/486
- 6,850,690 B1 * 2/2005 Noguchi H04N 5/782
386/291
- D545,323 S * 6/2007 Decombe D14/485

- D593,107 S * 5/2009 Shimoda D14/485
- 7,703,030 B2 * 4/2010 Smirin G06Q 30/02
715/751
- D627,360 S * 11/2010 Aarseth D14/485
- D637,200 S * 5/2011 Fletcher D14/489
- D641,374 S * 7/2011 Fletcher D14/489
- D650,793 S * 12/2011 Impas D14/489
- D652,047 S * 1/2012 Forsythe D14/485
- D654,925 S * 2/2012 Nishizawa D14/488
- D660,868 S * 5/2012 van Os D14/489
- D662,944 S * 7/2012 Quandt D14/492
- D665,423 S * 8/2012 Impas D14/493
- D667,415 S * 9/2012 Garn D14/485
- D667,422 S * 9/2012 Elliott D14/488
- D667,423 S * 9/2012 Nagamine D14/488
- D669,497 S * 10/2012 Lee D14/489
- D676,060 S * 2/2013 Frost D14/490
- D677,271 S * 3/2013 Phelan D14/489
- D682,305 S * 5/2013 Mierau D14/488
- D683,743 S * 6/2013 Oshima D14/486
- D685,375 S * 7/2013 Steinberger D14/436

(Continued)

Primary Examiner — Richard E Chilcot

(57) **CLAIM**

The ornamental design for a display screen or portion thereof with animated user interface.

DESCRIPTION

FIG. 1 is a first image in a sequence for a display screen or portion thereof with animated user interface showing our new design in a first environment.

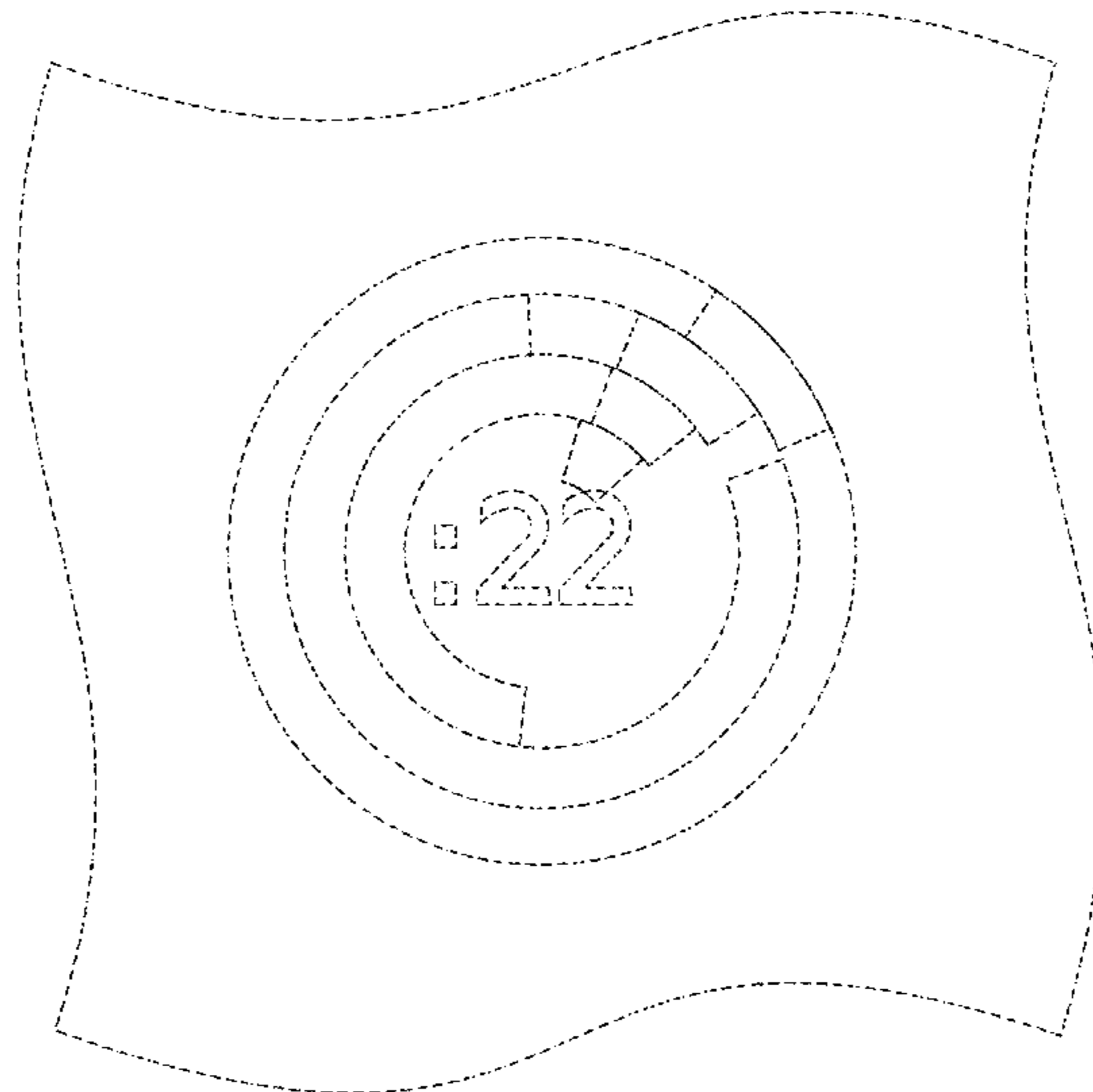
FIG. 2 is a second image of the sequence of FIG. 1.

FIG. 3 is a third image of the sequence of FIG. 1.

FIG. 4 is a fourth image of the sequence of FIG. 1; and, FIG. 5 depicts the display screen or portion thereof with animated user interface of FIG. 4 in a second environment.

The appearance of the animated images sequentially transitions between the images shown in FIGS. 1-5. The process or period in which one image transitions to another forms no part of the claimed design.

1 Claim, 5 Drawing Sheets



(56)

References Cited

U.S. PATENT DOCUMENTS

D690,728 S *	10/2013	Brinda	D14/488	D710,874 S *	8/2014	Kim	D14/487
D691,171 S *	10/2013	Brinda	D14/488	D711,395 S *	8/2014	Hanson	D14/485
D696,265 S *	12/2013	d'Amore	D14/485	D712,911 S *	9/2014	Pearson	D14/486
D696,266 S *	12/2013	d'Amore	D14/485	D714,813 S *	10/2014	Oda	D14/485
D697,071 S *	1/2014	Brinda	D14/485	D714,816 S *	10/2014	Varon	D14/486
D697,074 S *	1/2014	Waldman	D14/485	D714,818 S *	10/2014	Wang	D14/486
D697,076 S *	1/2014	Oda	D14/486	D714,819 S *	10/2014	Wang	D14/486
D697,523 S *	1/2014	Oda	D14/486	D716,340 S *	10/2014	Bresin	D14/488
D697,525 S *	1/2014	Nishizawa	D14/487	D716,819 S *	11/2014	Kotler	D14/485
D698,817 S *	2/2014	Laverack	D14/489	D716,834 S *	11/2014	Myung	D14/486
D699,248 S *	2/2014	Pearson	D14/485	D720,368 S *	12/2014	Daniel	D14/489
D699,730 S *	2/2014	Brinda	D14/485	D721,087 S *	1/2015	Barling	D14/485
D699,737 S *	2/2014	Pearson	D14/486	D721,088 S *	1/2015	Barling	D14/485
D699,745 S *	2/2014	Pearson	D14/488	D722,082 S *	2/2015	Roberts	D14/492
D699,746 S *	2/2014	Pearson	D14/488	D725,143 S *	3/2015	Terleski	D14/489
D699,747 S *	2/2014	Pearson	D14/488	D726,741 S *	4/2015	Lee	D14/485
D699,748 S *	2/2014	Pearson	D14/488	D730,397 S *	5/2015	Oh	D14/490
D699,749 S *	2/2014	Pearson	D14/488	D737,288 S *	8/2015	Oda	D14/485
D699,750 S *	2/2014	Pearson	D14/488	D737,300 S *	8/2015	Hisada	D14/486
D700,207 S *	2/2014	Pearson	D14/488	D738,895 S *	9/2015	Myoung	D14/486
D701,877 S *	4/2014	Kotler	D14/487	D739,421 S *	9/2015	Brinda	D14/485
D702,250 S *	4/2014	Kotler	D14/487	D739,425 S *	9/2015	Shawki	D14/486
D702,251 S *	4/2014	Kotler	D14/487	D740,315 S *	10/2015	Wang	D14/489
D702,252 S *	4/2014	Kotler	D14/487	D742,918 S *	11/2015	Alterman	D14/492
D702,253 S *	4/2014	Kotler	D14/487	D745,527 S *	12/2015	Wang	D14/485
D702,706 S *	4/2014	Kotler	D14/487	D746,857 S *	1/2016	Rayit	D14/488
D702,707 S *	4/2014	Kotler	D14/487	2004/0141010 A1 *	7/2004	Fitzmaurice	G06F 3/0488 715/810
D702,709 S *	4/2014	Dellinger	D14/489	2005/0076303 A1 *	4/2005	Vaananen	G06F 1/1613 715/713
D702,710 S *	4/2014	Os	D14/489	2008/0126992 A1 *	5/2008	Scheu	G06F 3/0482 715/835
D703,693 S *	4/2014	Brinda	D14/488	2009/0019397 A1 *	1/2009	Buffet	G06F 3/0482 715/837
D705,243 S *	5/2014	Holz	D14/486	2009/0228975 A1 *	9/2009	Lund	G06F 21/36 726/16
D705,261 S *	5/2014	Holz	D14/492	2009/0273610 A1 *	11/2009	Busch	G06T 7/0012 345/619
D706,798 S *	6/2014	Talbot	D14/486	2010/0088594 A1 *	4/2010	Kim	G06T 17/211 715/274
D706,806 S *	6/2014	Nishizawa	D14/488				
D708,193 S *	7/2014	Agnew	D14/485				
D708,203 S *	7/2014	Johnson	D14/487				
D710,381 S *	8/2014	Souza dos Santos	D14/492				
D710,862 S *	8/2014	Wang	D14/485				

* cited by examiner

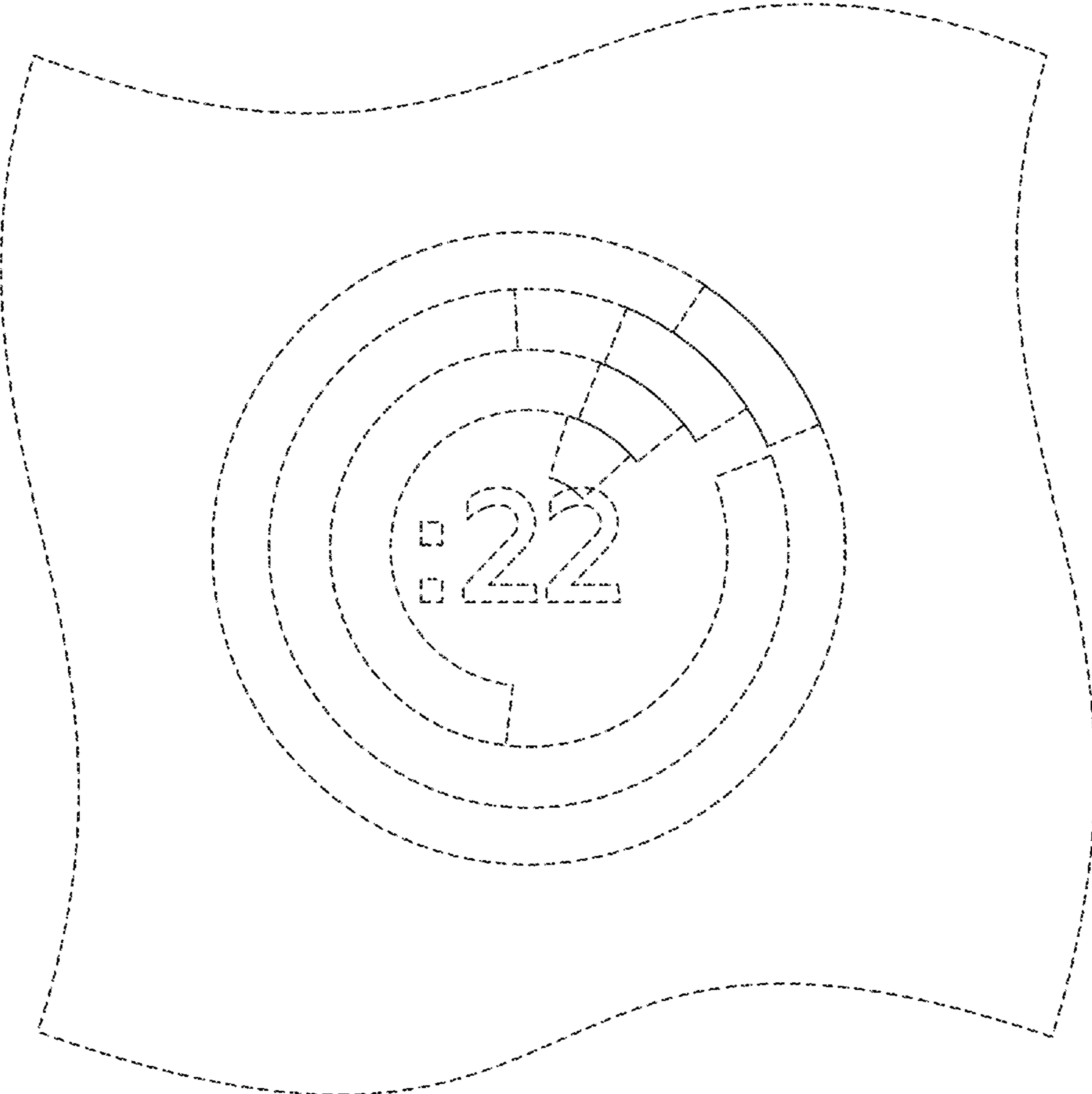


FIG. 1

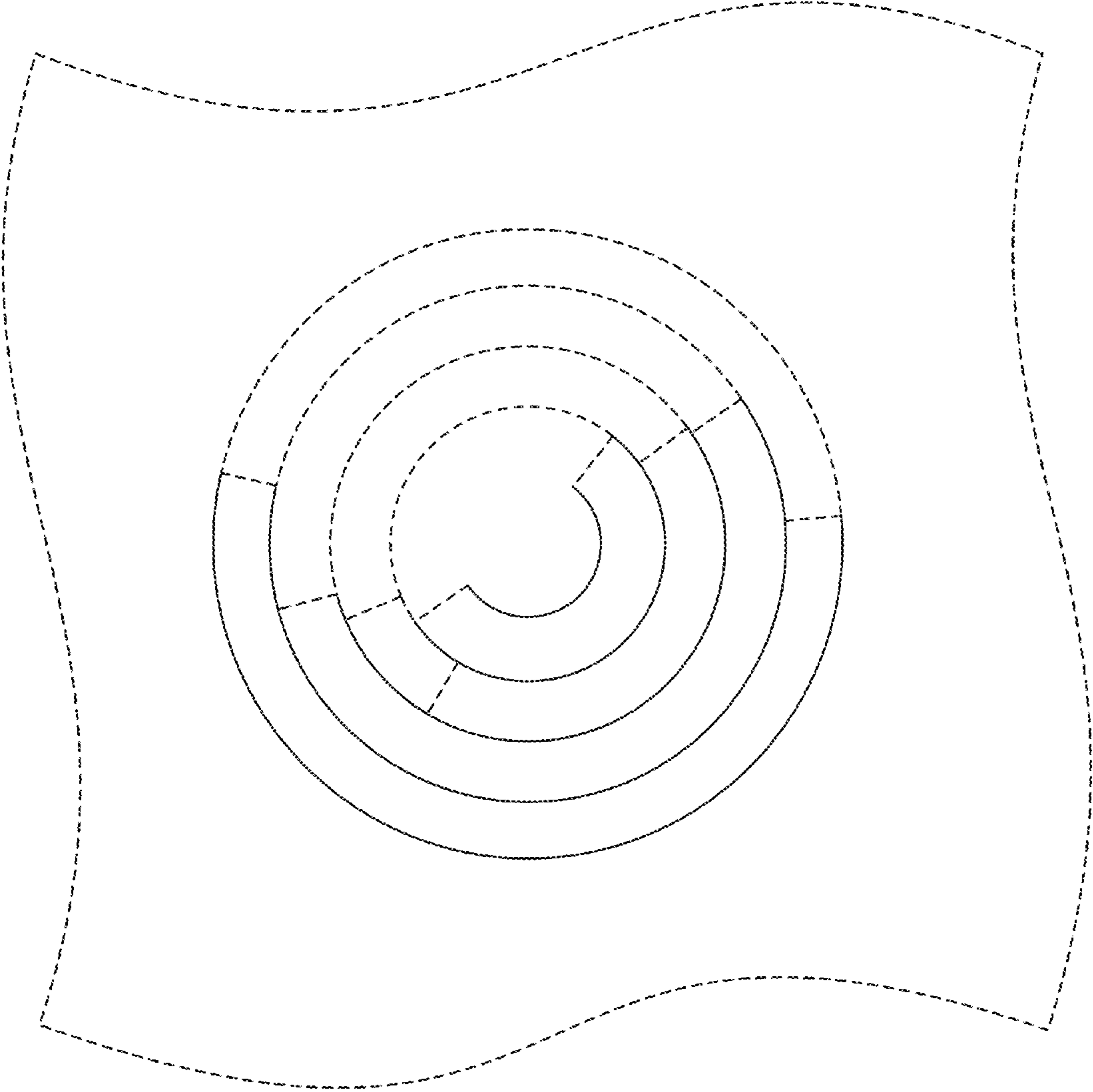


FIG. 2

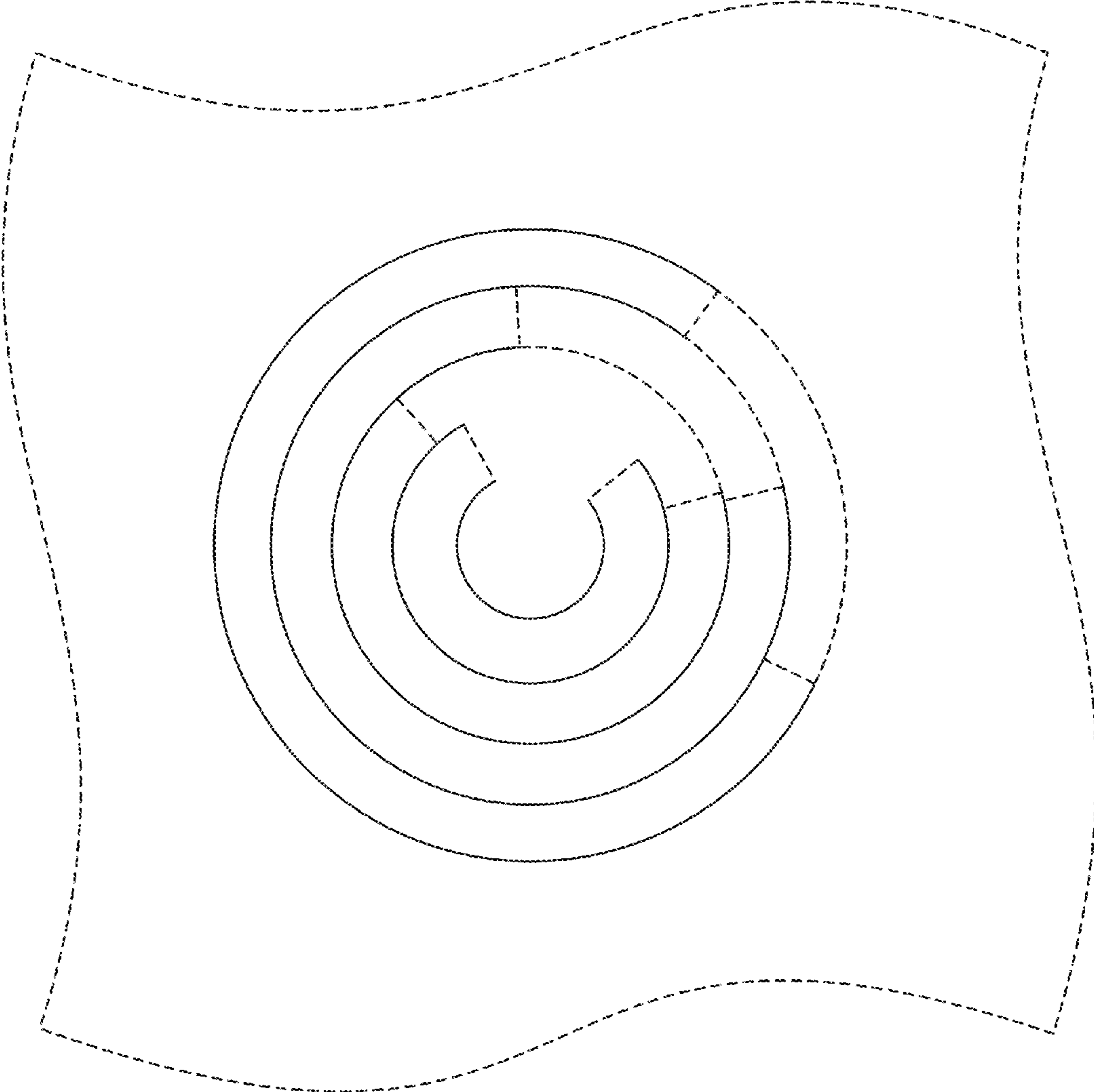


FIG. 3

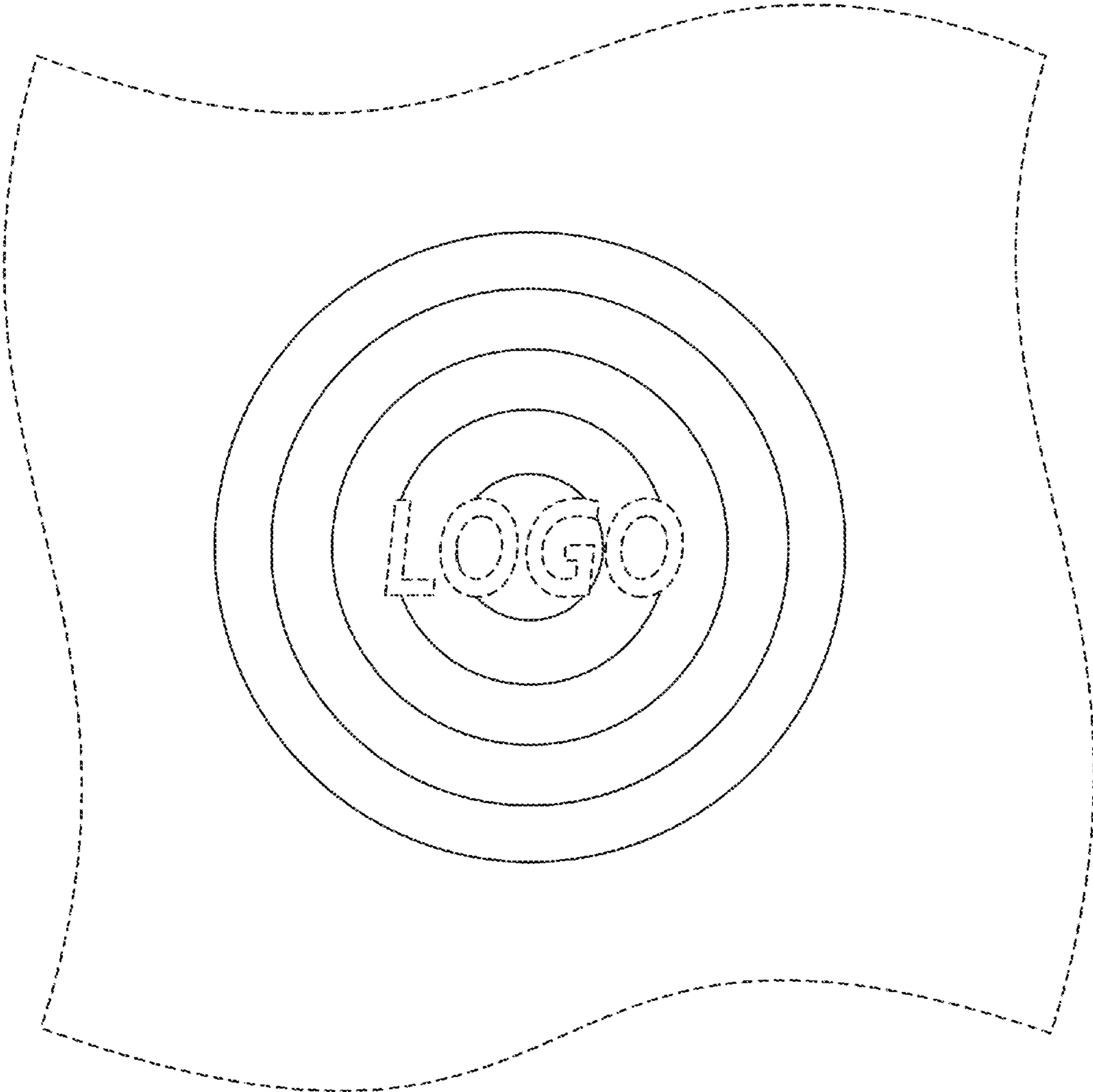


FIG. 4

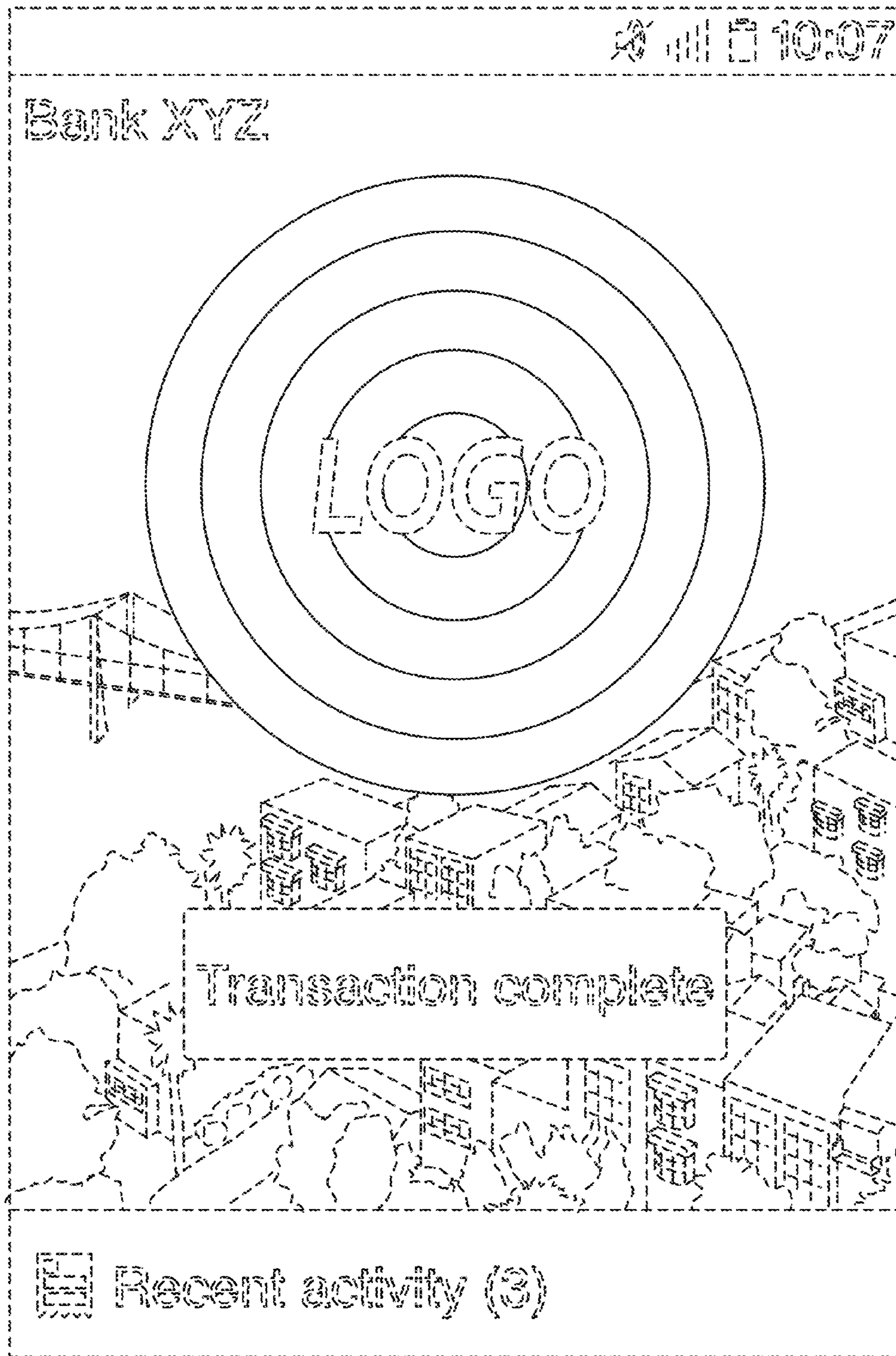


FIG. 5