



US00D765088S

(12) **United States Design Patent** (10) **Patent No.:** **US D765,088 S**
McClelland et al. (45) **Date of Patent:** **** *Aug. 30, 2016**

(54) **BEZEL WITH DOCKING RECESS**

- (71) Applicant: **Hewlett Packard Enterprise Development LP**, Houston, TX (US)
- (72) Inventors: **Belgie B. McClelland**, Tomball, TX (US); **Kevin D. Conn**, Montgomery, TX (US); **Kelly K. Smith**, Spring, TX (US)
- (73) Assignee: **Hewlett Packard Enterprise Development LP**, Houston, TX (US)
- (*) Notice: This patent is subject to a terminal disclaimer.
- (**) Term: **14 Years**

(21) Appl. No.: **29/518,531**

(22) Filed: **Feb. 24, 2015**

Related U.S. Application Data

- (60) Division of application No. 29/384,499, filed on Jan. 31, 2011, now Pat. No. Des. 732,547, and a continuation of application No. 29/486,630, filed on Apr. 1, 2014, now Pat. No. Des. 753,664.
- (51) **LOC (10) Cl.** **14-02**
- (52) **U.S. Cl.**
USPC **D14/450**
- (58) **Field of Classification Search**
USPC D14/450, 371, 374-382, 125-129; 345/104, 133, 156, 168, 173, 87; 348/180, 184, 325, 739; 248/917-924; 341/12; 349/1, 2, 11, 62; 428/14
CPC G02F 1/13338; G02F 1/1616; G06F 3/0412; G06F 3/0202; G06F 3/0219; G06F 3/0213; G06F 3/023; B60R 11/02; B60R 11/0211; B60K 35/00
See application file for complete search history.

(56) **References Cited**

U.S. PATENT DOCUMENTS

D375,302 S 11/1996 Darius et al.
5,775,762 A 7/1998 Vitito

(Continued)

OTHER PUBLICATIONS

United States Patent and Trademark Office "Final Office Action," issued in connection with U.S. Appl. No. 29/384,499, mailed on May 5, 2014, 7 pages.

(Continued)

Primary Examiner — Cynthia Ramirez

(74) *Attorney, Agent, or Firm* — Hanley Flight & Zimmerman, LLC

(57) **CLAIM**

The ornamental design for a "bezel with docking recess," as shown and described.

DESCRIPTION

FIG. 1 is a left, front perspective view of a bezel with docking recess, showing the rectangular indicator lights in a first state by a horizontal line pattern.

FIG. 2 is a front view of the bezel of FIG. 1.

FIG. 3 is a top view of the bezel of FIG. 1.

FIG. 4 is a right side view of the bezel of FIG. 1. The left side view of the bezel of FIG. 1 is a mirror image of the right side view of FIG. 4.

FIG. 5 is a front view of the bezel of FIG. 1, but showing the indicator lights in a second state as indicated by an angled line pattern.

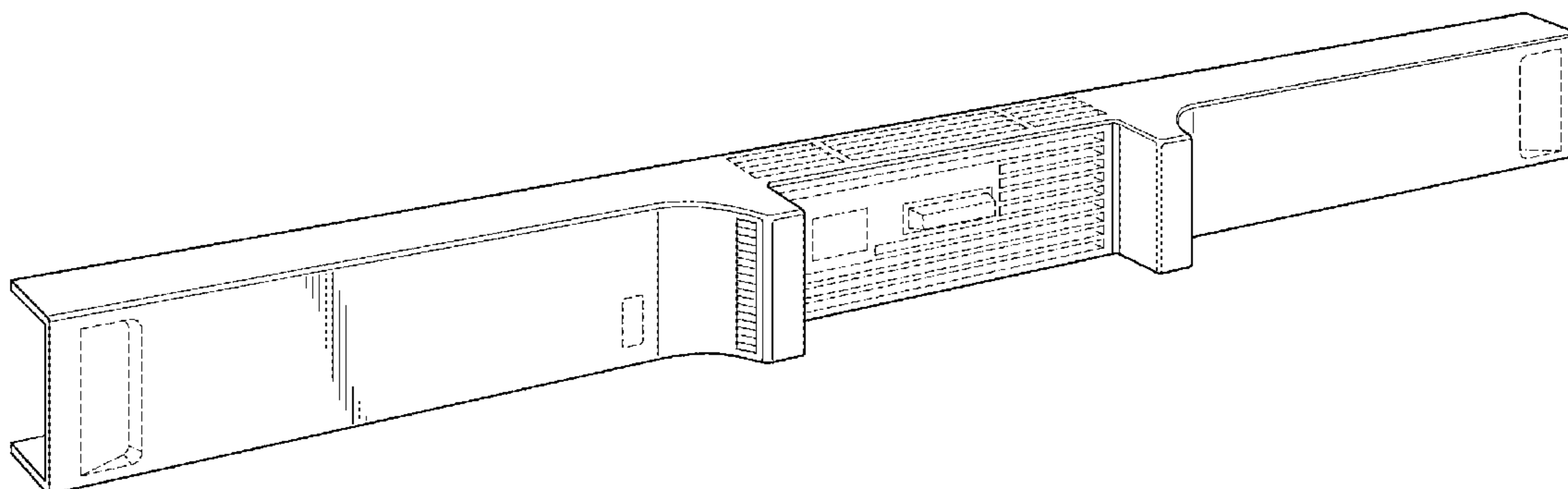
FIG. 6 is a front view of the bezel of FIG. 1, but showing the indicator lights in a third state as indicated by a cross-hatching pattern.

FIG. 7 is another perspective view of the bezel of FIG. 1, but showing a handheld monitor docked in the docking recess.

FIG. 8 is another front view of the bezel of FIG. 1, but showing a handheld monitor docked in the docking recess; and,

FIG. 9 is another top view of the bezel of FIG. 1, but showing a handheld monitor docked in the docking recess. The features of the bezel shown in broken lines in the figures form no part of the claimed design. The broken lines representing the handheld monitor in FIGS. 7, 8 and 9 show environment and form no part of the claimed design. The three different states of the indicator lights represents a change in color, but no specific color is claimed.

1 Claim, 4 Drawing Sheets



(56)

References Cited

U.S. PATENT DOCUMENTS

D402,970 S	12/1998	Rosen
D437,936 S	2/2001	Guy
7,084,932 B1	8/2006	Mathias et al.
D564,439 S	3/2008	Vitito
7,460,187 B2	12/2008	Schedivy
7,490,887 B2	2/2009	Vitito
D732,547 S	6/2015	McClelland et al.

OTHER PUBLICATIONS

United States Patent and Trademark Office "Office Action," issued in connection with U.S. Appl. No. 29/384,499, mailed on Dec. 6, 2013, 8 pages.

United States Patent and Trademark Office "Office Action," issued in connection with U.S. Appl. No. 29/384,499, mailed on Jun. 17, 2013, 5 pages.

United States Patent and Trademark Office "Office Action," issued in connection with U.S. Appl. No. 29/384,499, mailed on Feb. 7, 2013, 6 pages.

United States Patent and Trademark Office "Office Action," issued in connection with U.S. Appl. No. 29/384,499, mailed on Dec. 5, 2012, 7 pages.

United States Patent and Trademark Office "Notice of Allowance," issued in connection with U.S. Appl. No. 29/384,499, mailed on Feb. 20, 2015, 13 pages.

United States Patent and Trademark Office, "Restriction Requirement," issued in connection with U.S. Appl. No. 29/486,630, mailed on Sep. 25, 2015, 11 pages.

United States Patent and Trademark Office, "Notice of Allowance," issued in connection with U.S. Appl. No. 29/486,630, mailed on Dec. 30, 2015, 7 pages.

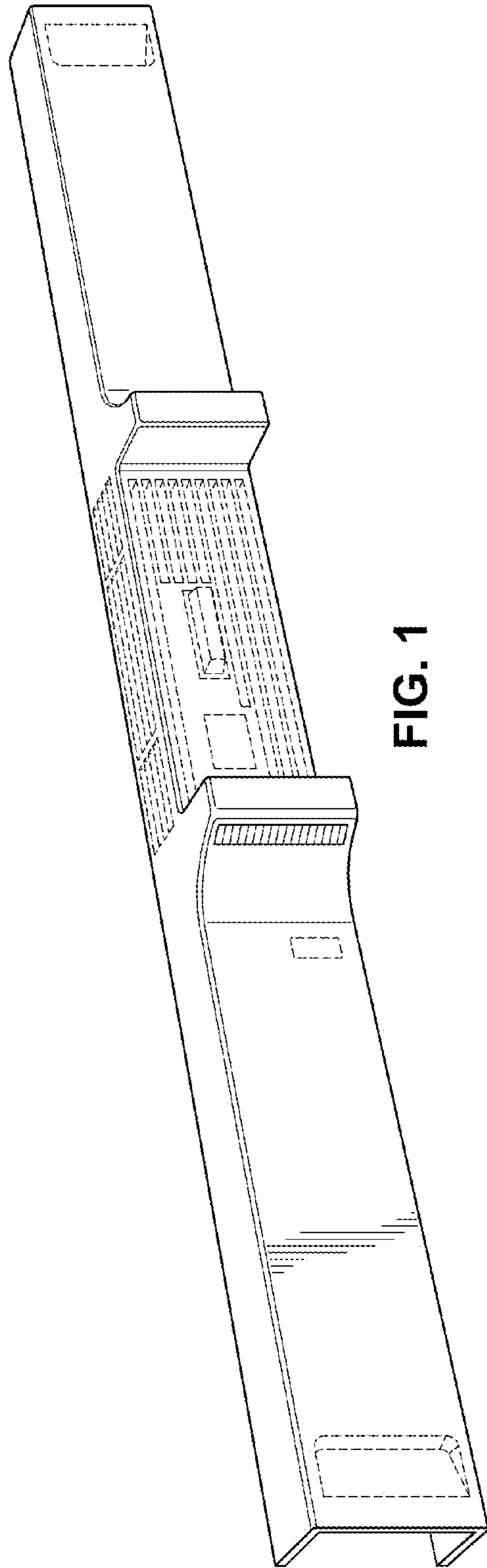


FIG. 1

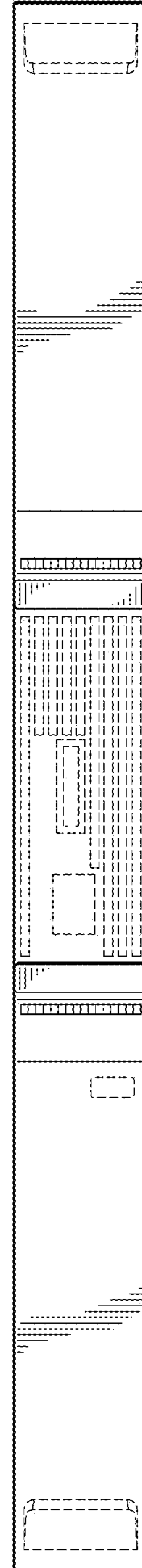


FIG. 2

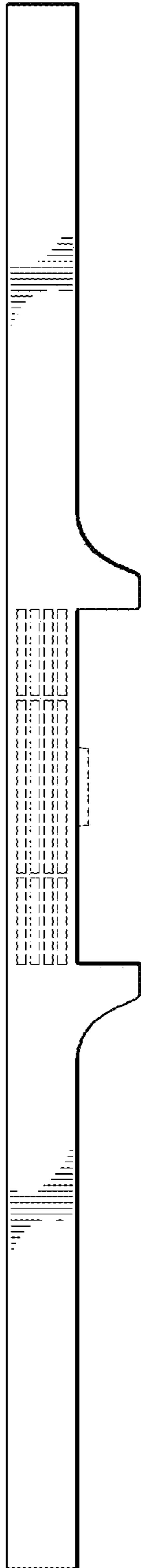


FIG. 3

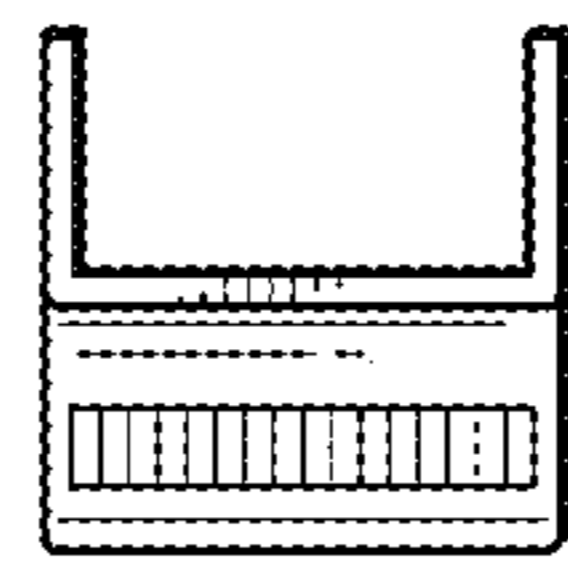


FIG. 4

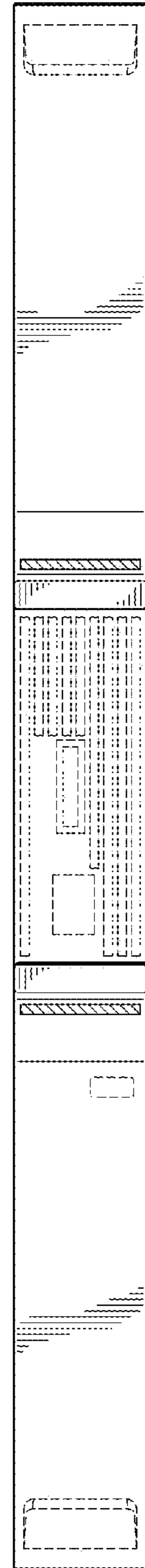


FIG. 5

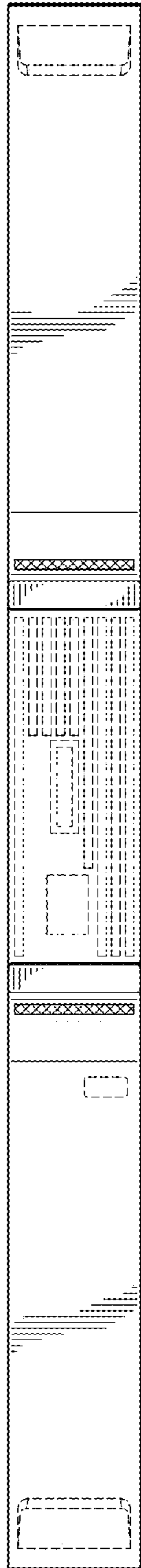


FIG. 6

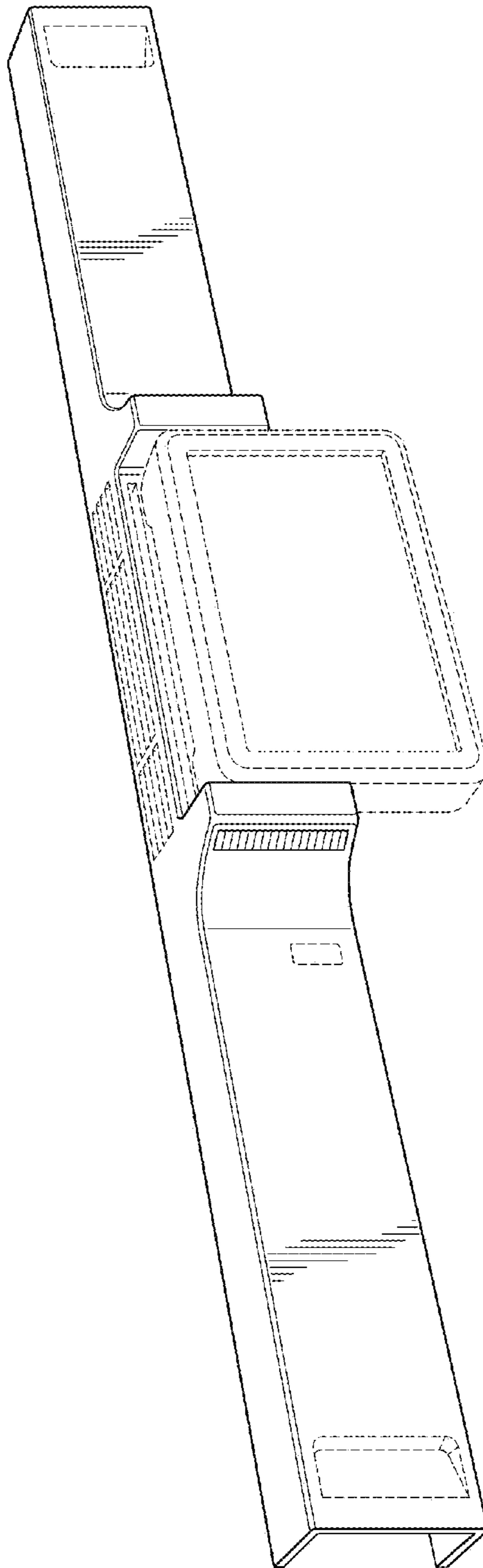


FIG. 7

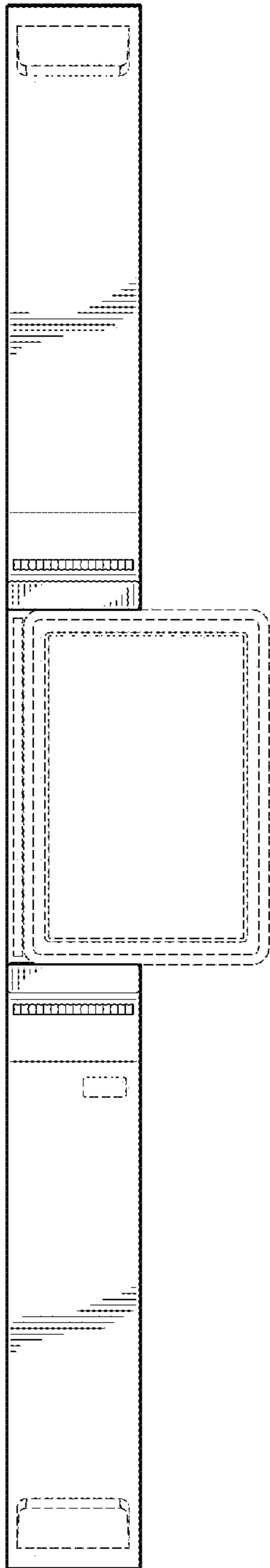


FIG. 8

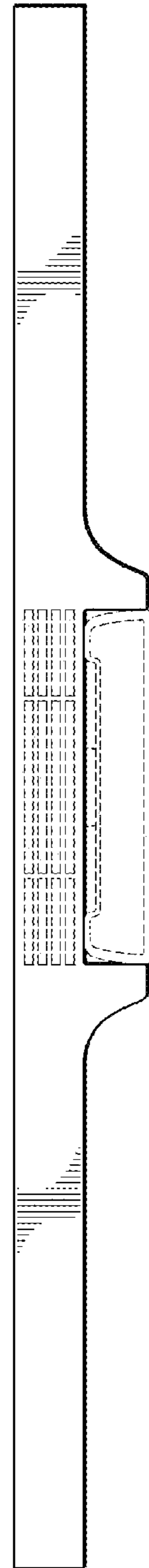


FIG. 9