



US00D765087S

(12) **United States Design Patent** (10) **Patent No.:** **US D765,087 S**  
**Russette et al.** (45) **Date of Patent:** **\*\* Aug. 30, 2016**

(54) **FRONT PANEL WITH OPENINGS FOR AIR COOLING A DATA STORAGE TRANSFER ARCHIVE REPOSITORY**

7/20; G11B 33/126; G11B 33/128; G11B 33/08; G11B 33/02

See application file for complete search history.

(71) Applicant: **BAE Systems Information and Electronic Systems Integration Inc.**, Nashua, NH (US)

(56) **References Cited**

U.S. PATENT DOCUMENTS

(72) Inventors: **Andrew R. Russette**, Silver Spring, MD (US); **Aaron Oberste**, Sevem, MD (US); **Alexa D. Oberste**, Sevem, MD (US); **Anthony P. Antoniadis**, Fulton, MD (US); **Matthew F. Guenette**, Baltimore, MD (US)

D307,423 S 4/1990 Hill  
5,515,515 A 5/1996 Kennedy et al.

(Continued)

FOREIGN PATENT DOCUMENTS

(73) Assignee: **BAE Systems Information and Electronic Systems Integration Inc.**, Nashua, NH (US)

WO 03103359 12/2003  
WO 2005124504 12/2005

*Primary Examiner* — Freda S Nunn

(74) *Attorney, Agent, or Firm* — Upton & Hatfield LLP; Kimberly A. Peaslee

(\*\*) Term: **15 Years**

(57) **CLAIM**

(21) Appl. No.: **29/540,333**

We claim the ornamental design for a front panel with openings for air cooling a data storage transfer archive repository, as shown and described.

(22) Filed: **Sep. 23, 2015**

**DESCRIPTION**

**Related U.S. Application Data**

(62) Division of application No. 29/496,233, filed on Jul. 10, 2014, now Pat. No. Des. 748,638.

(51) **LOC (10) Cl.** ..... **14-02**

(52) **U.S. Cl.**  
USPC ..... **D14/444**

(58) **Field of Classification Search**

USPC ..... D14/240, 300, 301, 308, 313, 314, D14/348-356, 364-368, 441-446, 188; D13/123, 158, 162, 184, 199; 312/223.1-223.3, 351.11; 360/99.01-99.12; 369/34.01-36.01; 361/679.31-679.33, 679.37, 679.39, 361/679.46, 679.53, 679.4, 679.41, 727  
CPC ..... G06F 1/20; G06F 1/181; G06F 1/187; G06F 1/183; G06F 1/184; H05K 7/16; H05K 7/1424; H05K 7/1409; H05K 7/20; H05K 7/20545; H05K 7/20727; H05K 7/1425; H05K 7/1488; H05K 7/183; H05H

FIG. 1 is a perspective view of a front panel with openings for air cooling a data storage transfer archive repository, the broken lines being shown for environment only and form no part of the claimed design;

FIG. 2 is another perspective view thereof showing the detailed views of FIGS. 3-5;

FIG. 3 is an enlarged, fragmentary view of the lower, front, left section thereof;

FIG. 4 is an enlarged, fragmentary view of the lower, front, central section thereof;

FIG. 5 is an enlarged, fragmentary view of the lower, front, right section thereof;

FIG. 6 is a front view thereof;

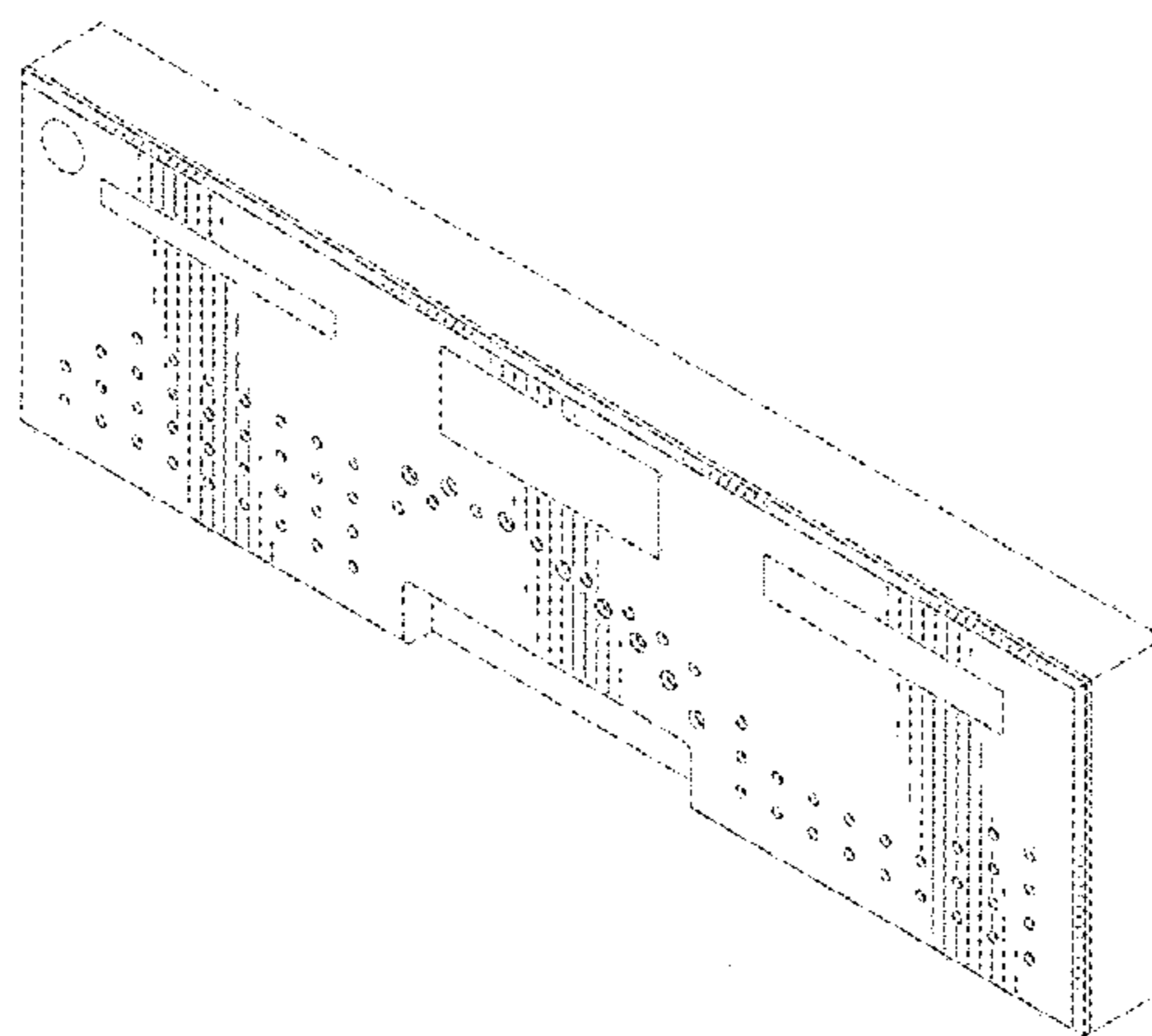
FIG. 7 is a top plan view thereof;

FIG. 8 is a bottom plan view thereof;

FIG. 9 is a left side elevation view thereof; and,

FIG. 10 is a right side elevation view thereof.

**1 Claim, 7 Drawing Sheets**



(56)

References Cited

U.S. PATENT DOCUMENTS

5,913,926 A	6/1999	Anderson et al.			
D448,033 S	9/2001	Anderson et al.			
6,535,381 B2	3/2003	Jahne et al.			
6,606,253 B2	8/2003	Jackson et al.			
6,636,917 B1	10/2003	Linares et al.			
6,724,617 B2	4/2004	Amaike et al.			
D512,059 S *	11/2005	Zhang .....	D14/348		
D527,390 S *	8/2006	Millar .....	D13/184		
7,145,775 B2	12/2006	Barsun et al.			
D536,674 S *	2/2007	Millar .....	D13/184		
7,187,547 B1	3/2007	French et al.			
7,295,444 B1	11/2007	Wang			
7,298,612 B2	11/2007	Malone			
7,309,279 B2	12/2007	Sharp et al.			
D561,766 S	2/2008	Deng			
7,362,566 B1	4/2008	Sivertsen			
7,420,800 B1	9/2008	Knapp et al.			
				D590,403 S	4/2009 Wang et al.
				7,848,109 B2	12/2010 Barringer et al.
				8,244,942 B2	8/2012 Dean et al.
				8,451,600 B1	5/2013 Ross
				8,477,488 B2	7/2013 Aldridge
				8,644,020 B2	2/2014 Lau et al.
				D735,186 S *	7/2015 Terwilliger ..... D14/313
				D748,638 S *	2/2016 Russette ..... D14/444
				2012/0026668 A1	2/2012 Landon
				2012/0036450 A1	2/2012 Canton
				2012/0049706 A1	3/2012 Cottuli et al.
				2012/0212899 A1	8/2012 Michael et al.
				2012/0243172 A1	9/2012 Ross et al.
				2013/0322012 A1	12/2013 Dunwoody et al.
				2014/0027393 A1	1/2014 Elwany
				2014/0029196 A1	1/2014 Smith
				2014/0036450 A1 *	2/2014 Facusse ..... H05K 7/20809 361/710
				2014/0055944 A1	2/2014 McCabe et al.

\* cited by examiner

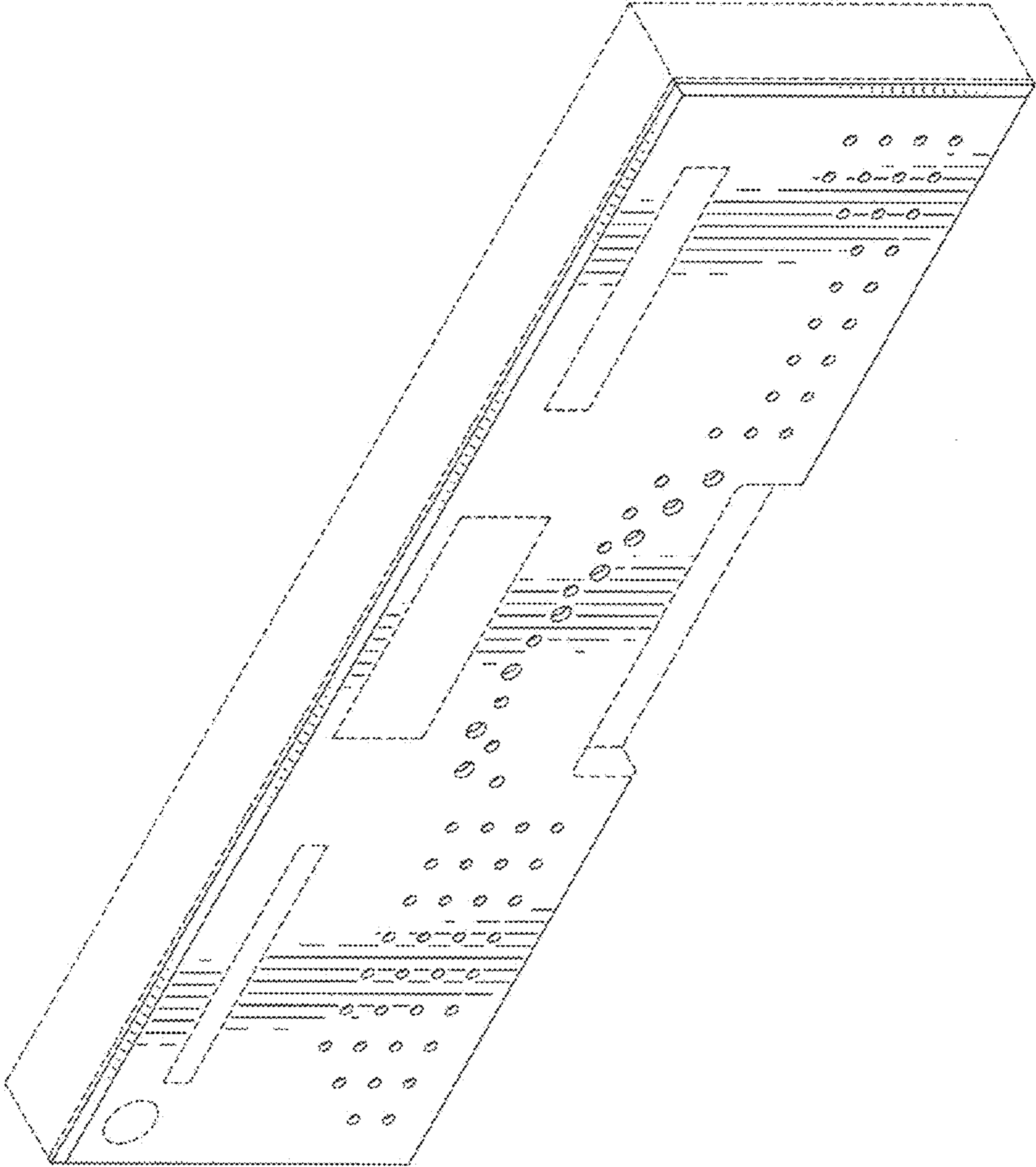


FIG. 1

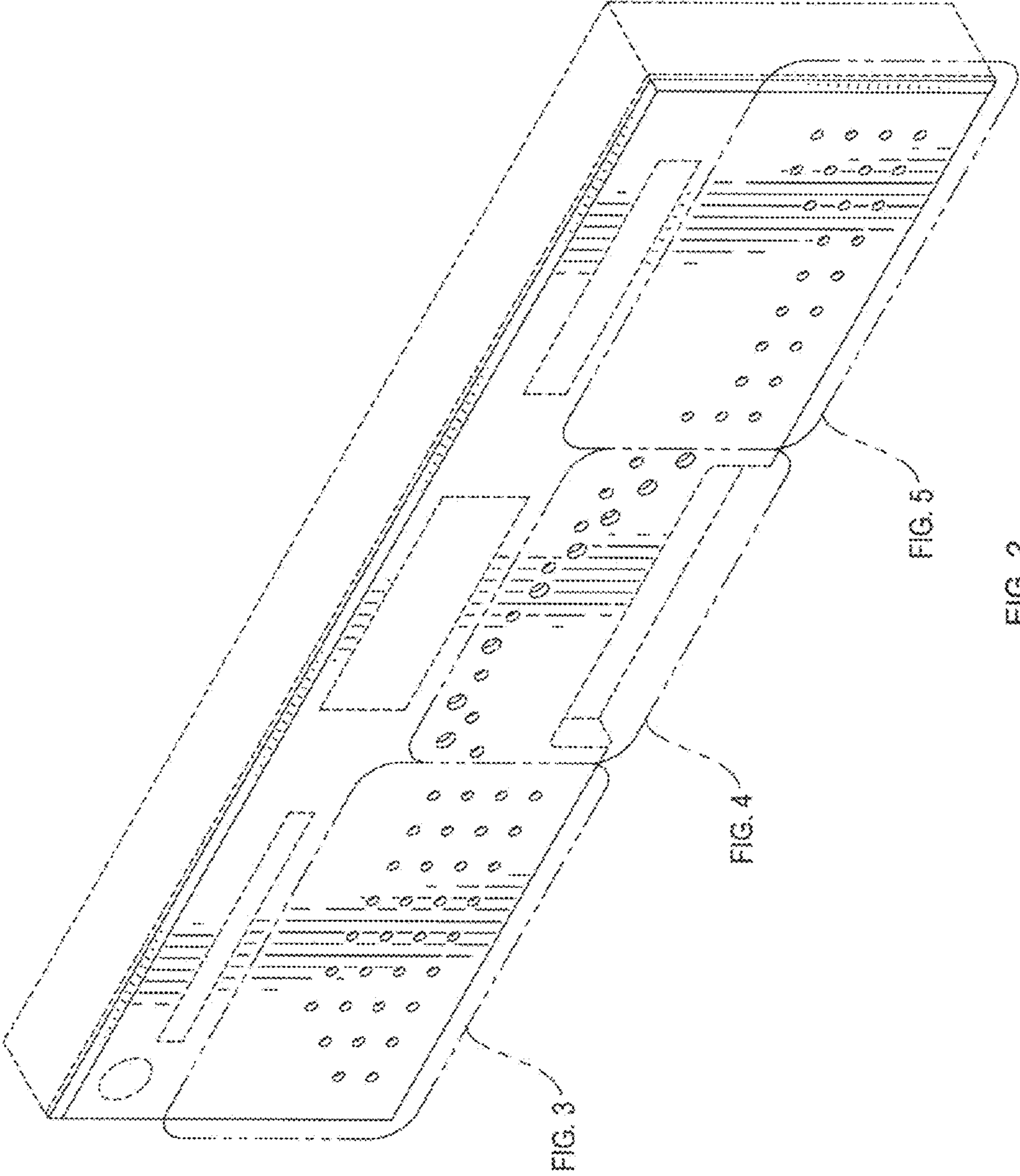


FIG. 2

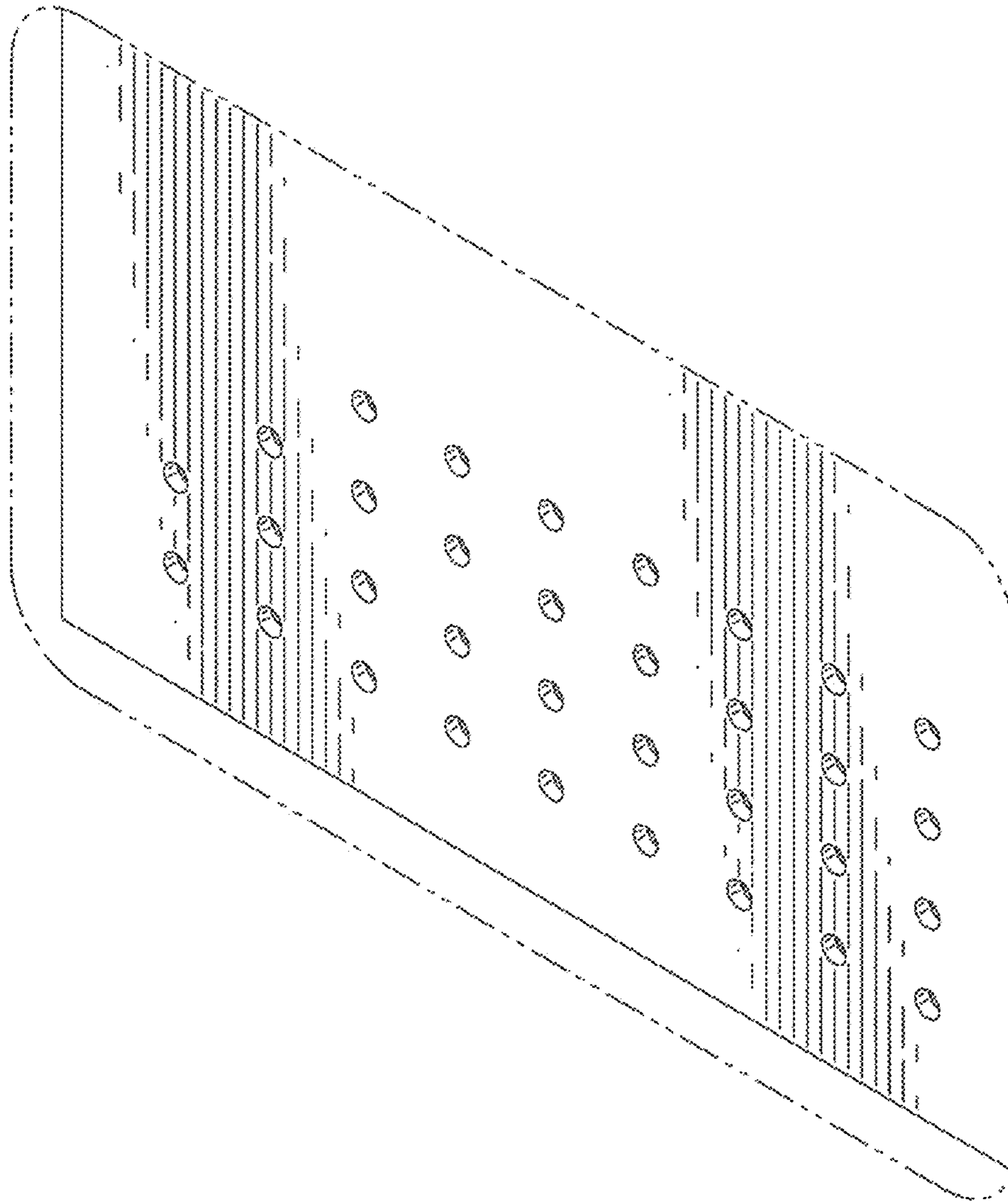


FIG. 3

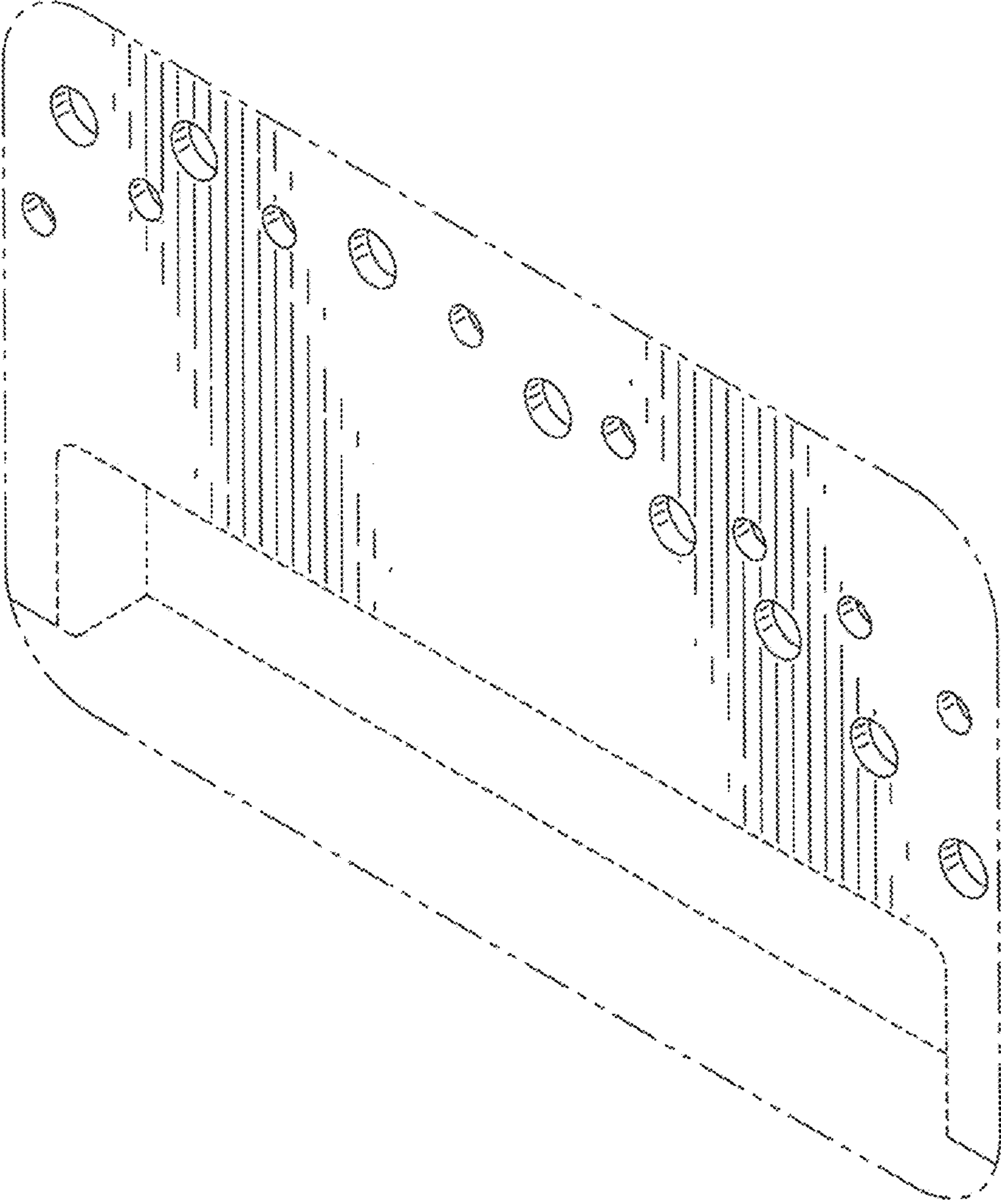


FIG. 4

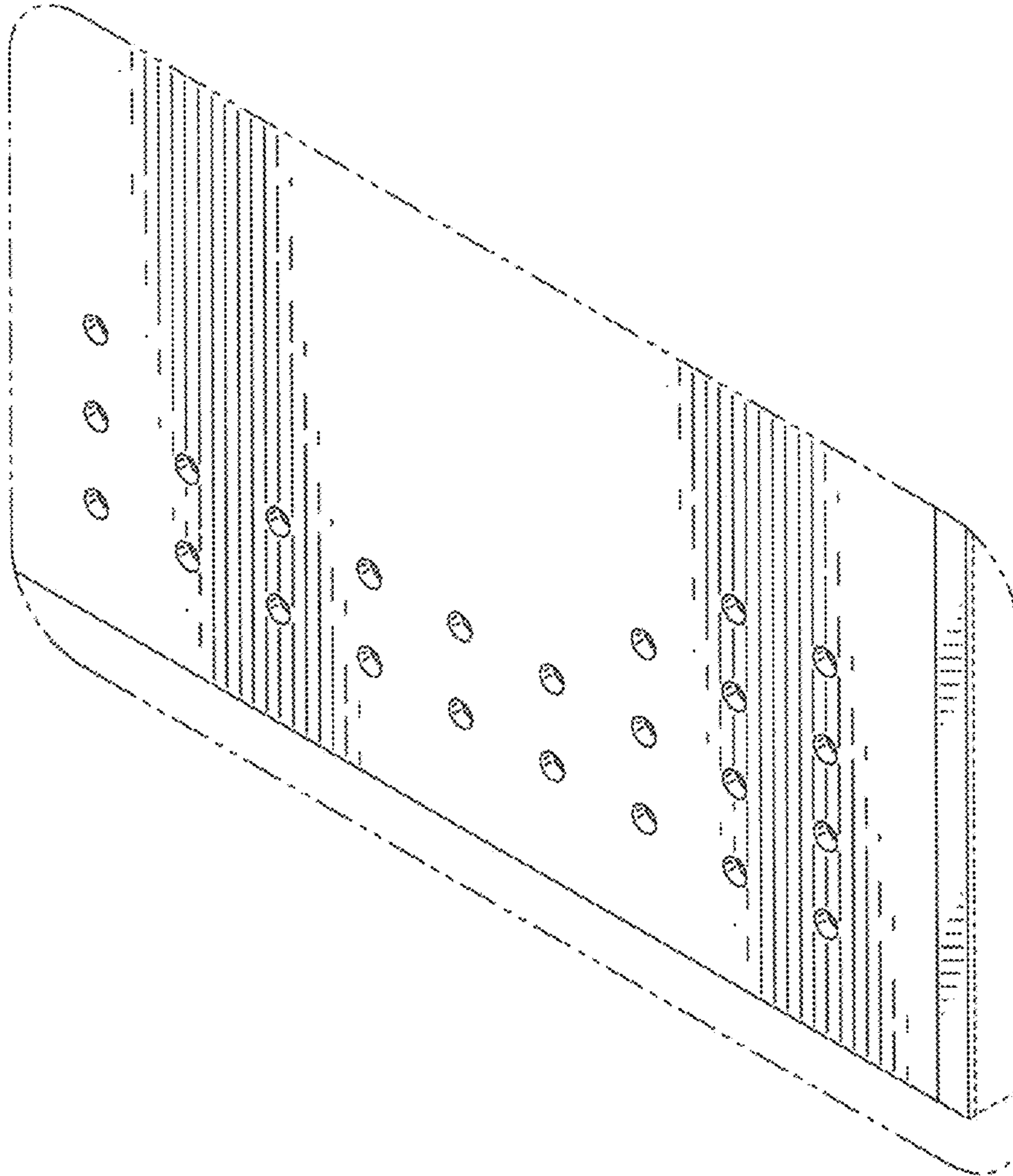


FIG. 5

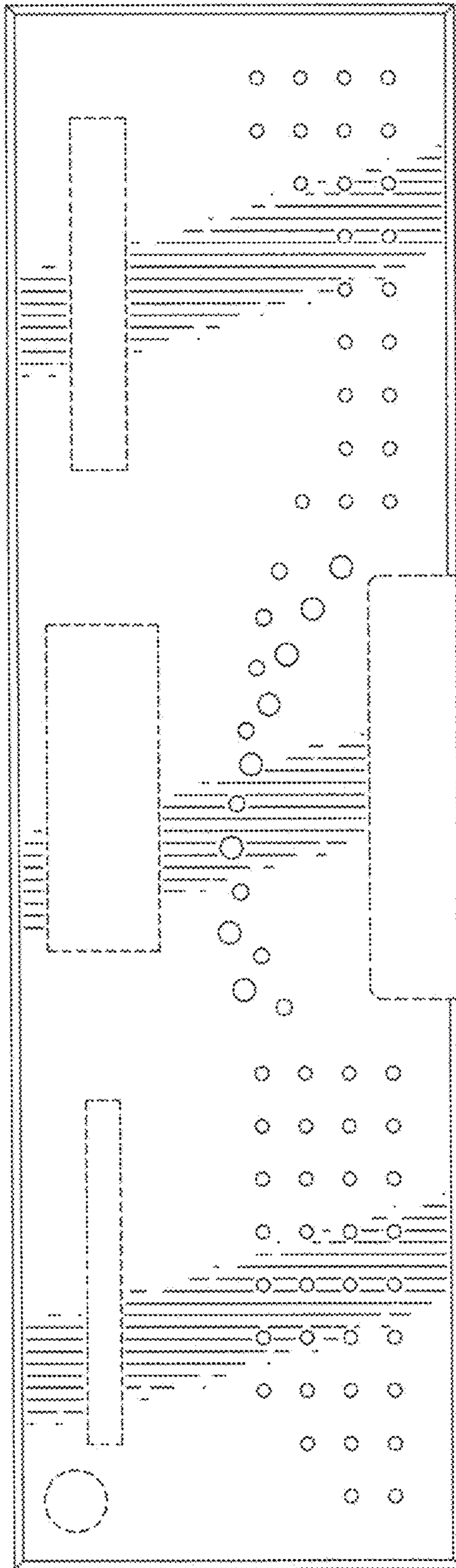


FIG. 6



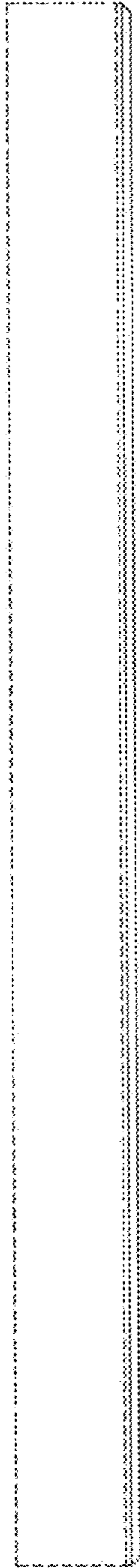


FIG. 7

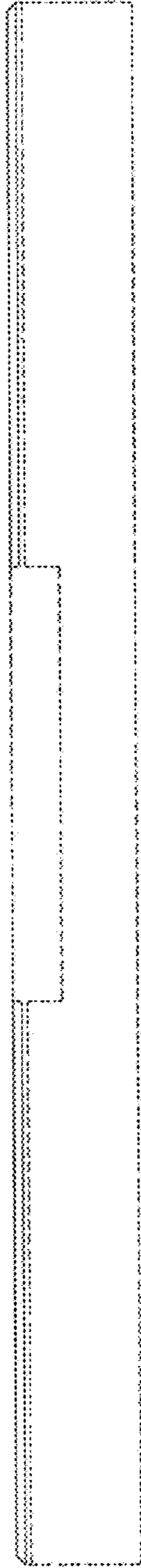


FIG. 8

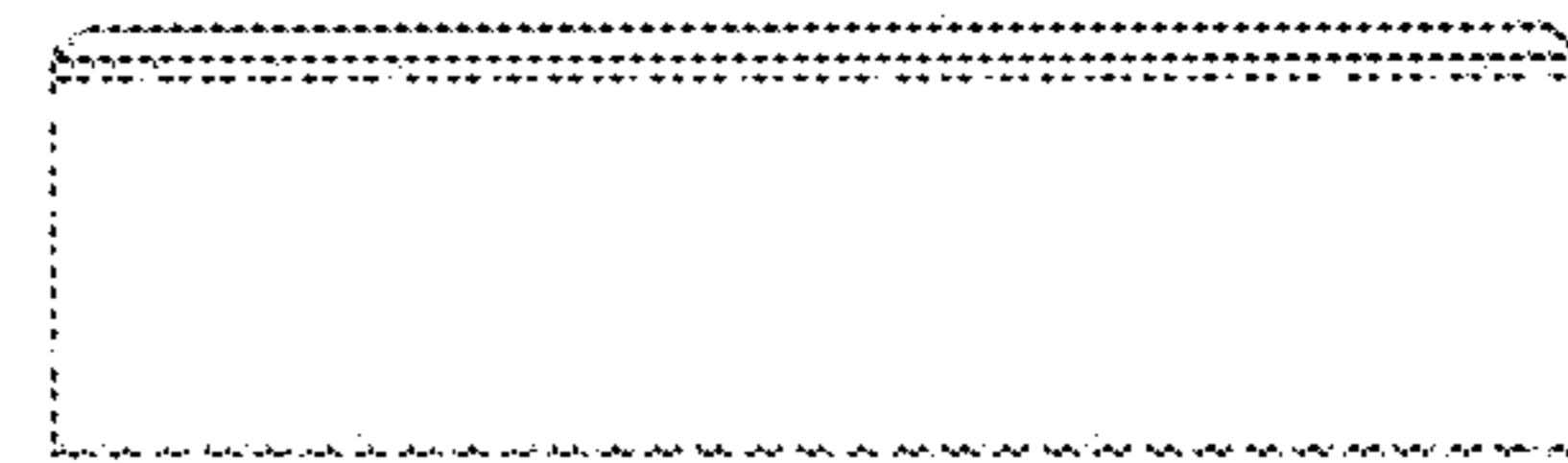


FIG. 9

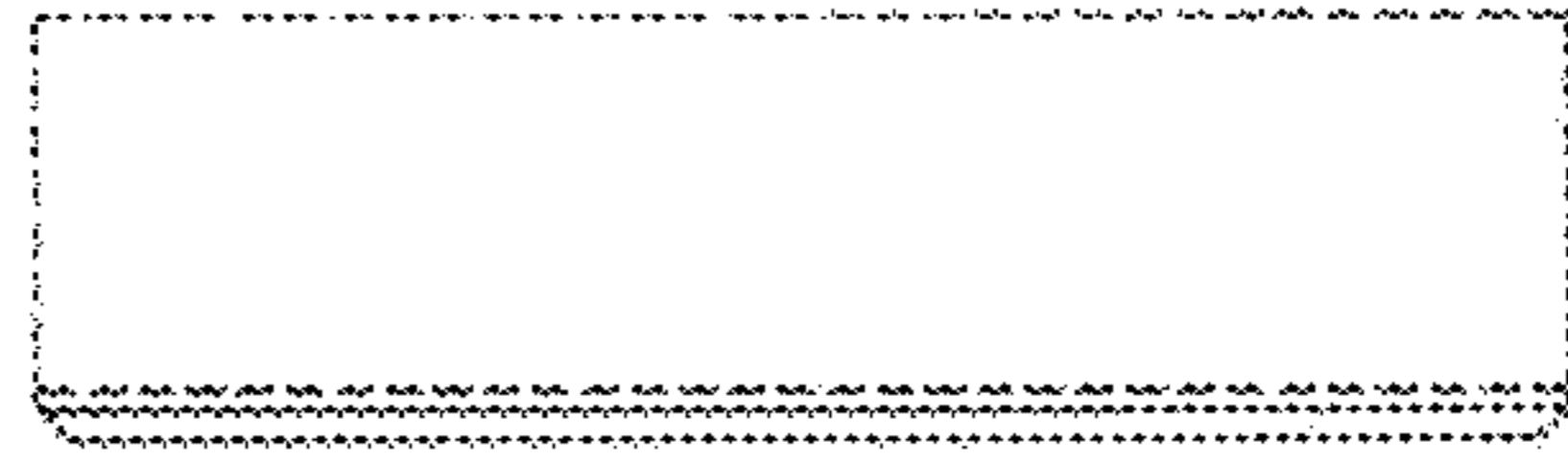


FIG. 10