



US00D765085S

(12) **United States Design Patent**
Moore

(10) **Patent No.:** **US D765,085 S**

(45) **Date of Patent:** **** Aug. 30, 2016**

- (54) **CASE FOR AN ELECTRONIC DEVICE**
- (71) Applicant: **Max Interactive, Inc.**, Costa Mesa, CA (US)
- (72) Inventor: **Cameron Moore**, Costa Mesa, CA (US)
- (73) Assignee: **Max Interactive, Inc.**, Costa Mesa, CA (US)

- 8,797,132 B2 * 8/2014 Childs A45C 11/00 206/320
- 8,833,819 B2 9/2014 Chen
- D744,490 S * 12/2015 Hsu D14/440
- 2011/0285258 A1 * 11/2011 Yuan G06F 1/1626 312/223.2
- 2012/0153116 A1 * 6/2012 Harrison A47B 23/044 248/460
- 2012/0193268 A1 8/2012 Chang

(**) Term: **14 Years**

Primary Examiner — Cynthia Underwood
(74) *Attorney, Agent, or Firm* — Patterson & Sheridan, L.L.P.

(21) Appl. No.: **29/521,429**

(22) Filed: **Mar. 24, 2015**

(57) **CLAIM**
The ornamental design for a case for an electronic device, as shown and described.

(51) **LOC (10) Cl.** **14-02**

(52) **U.S. Cl.**
USPC **D14/440**

DESCRIPTION

(58) **Field of Classification Search**
USPC D14/250, 440, 447; 206/45.23, 320, 206/45.2; 361/679.55; 294/25; 224/218; 1/1
CPC G06F 1/1628; G06F 1/1613
See application file for complete search history.

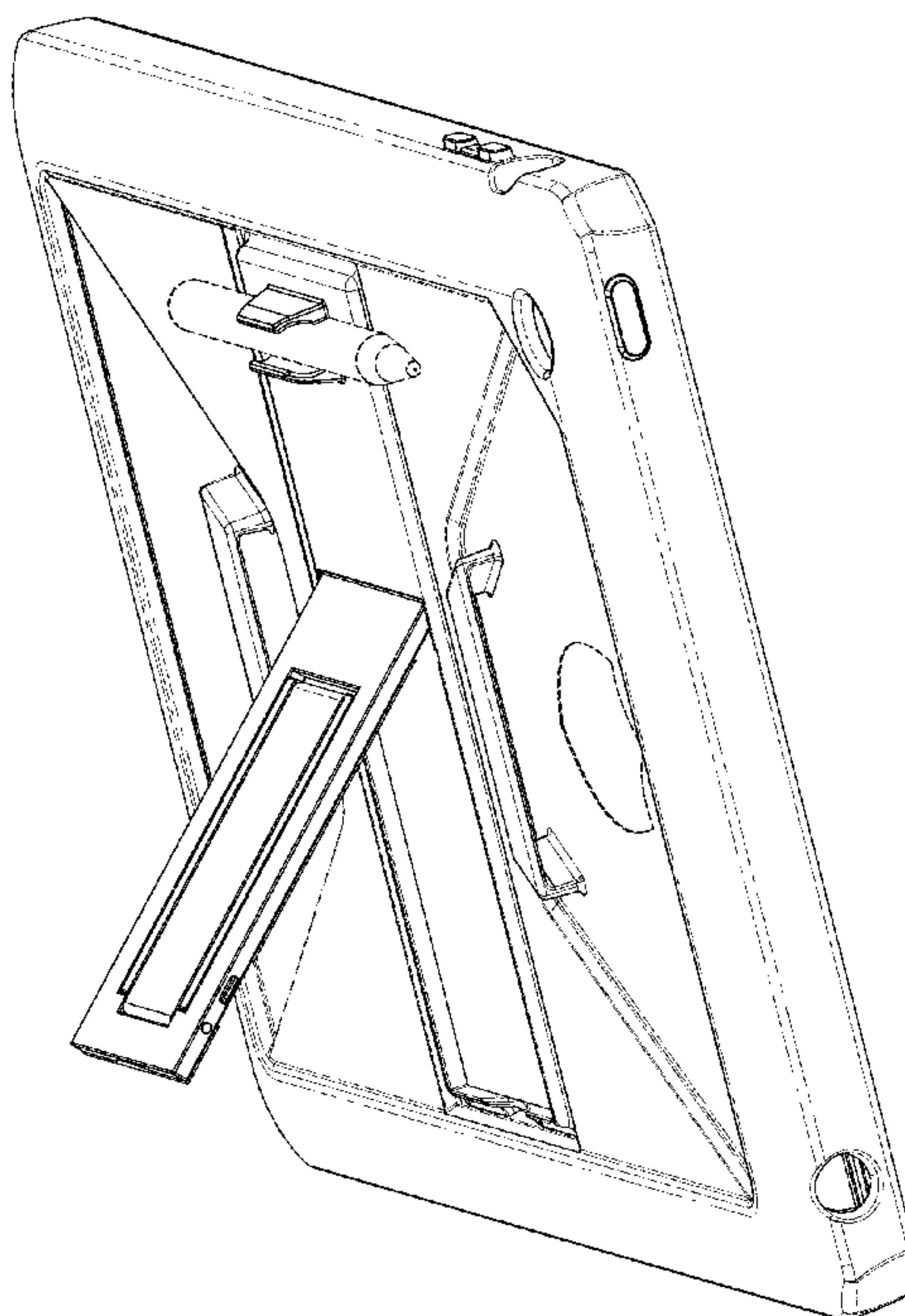
FIG. 1 is a rear perspective view of a case for an electronic device showing my new design;
FIG. 2 is a front perspective view thereof;
FIG. 3 is a front elevational view thereof;
FIG. 4 is a rear elevational view thereof;
FIG. 5 is a top plan view thereof;
FIG. 6 is a bottom plan view thereof;
FIG. 7 is a left side elevational view thereof;
FIG. 8 is a right side elevational view thereof;
FIG. 9 is a rear perspective view of the case in a second position; and,
FIG. 10 is an enlarged view of a portion of the case as shown in FIG. 3.
The broken lines are depict environmental subject matter and form no part of the claim.

(56) **References Cited**

U.S. PATENT DOCUMENTS

- 6,016,248 A * 1/2000 Anzai G06F 1/1626 248/463
- 7,584,841 B2 9/2009 Chan et al.
- 8,173,893 B2 * 5/2012 Huang A45C 11/00 136/251
- 8,281,924 B2 10/2012 Westrup
- 8,659,893 B2 2/2014 Chiou
- 8,783,458 B2 * 7/2014 Gallagher F16M 11/105 206/320

1 Claim, 8 Drawing Sheets



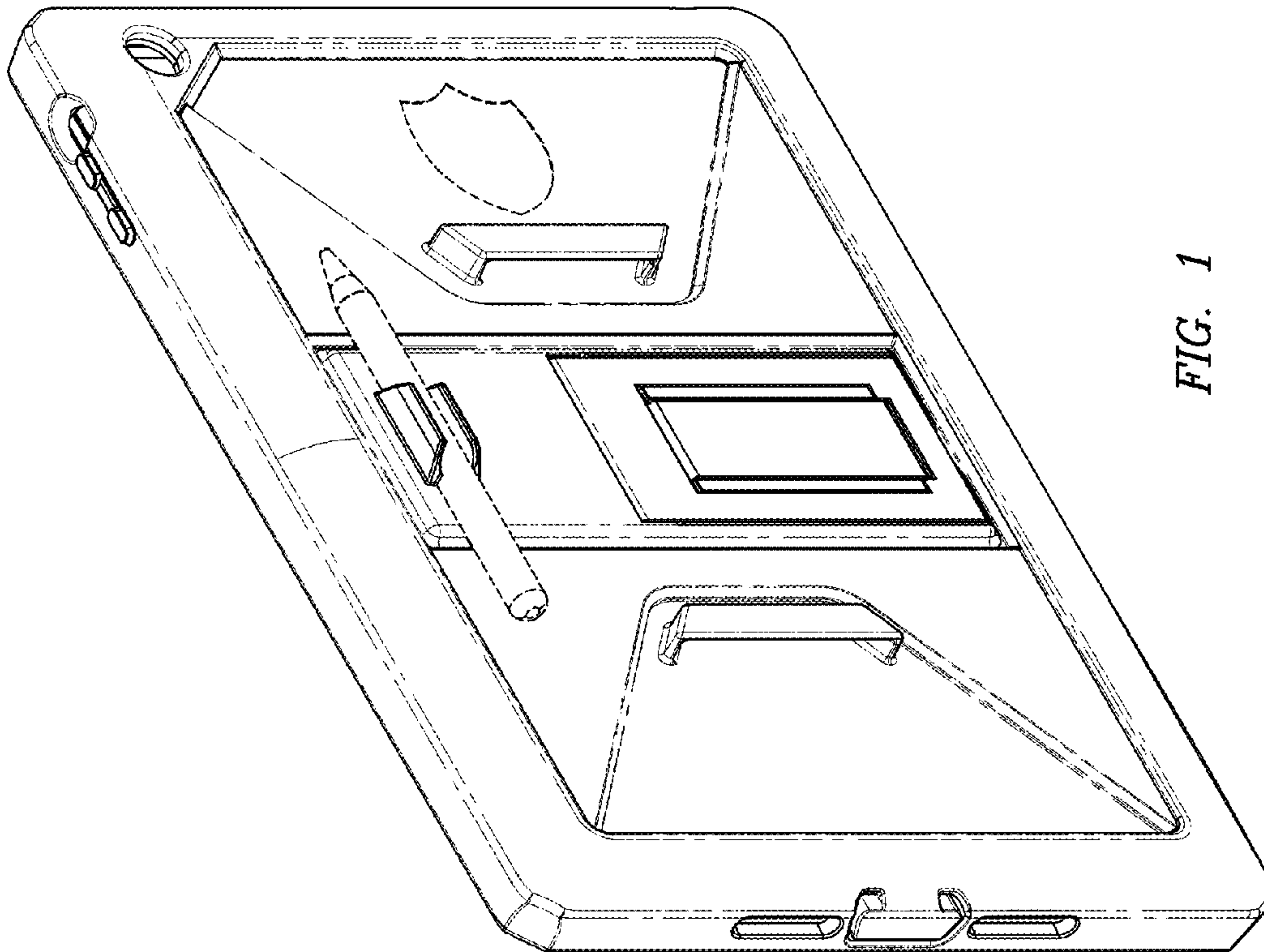


FIG. 1

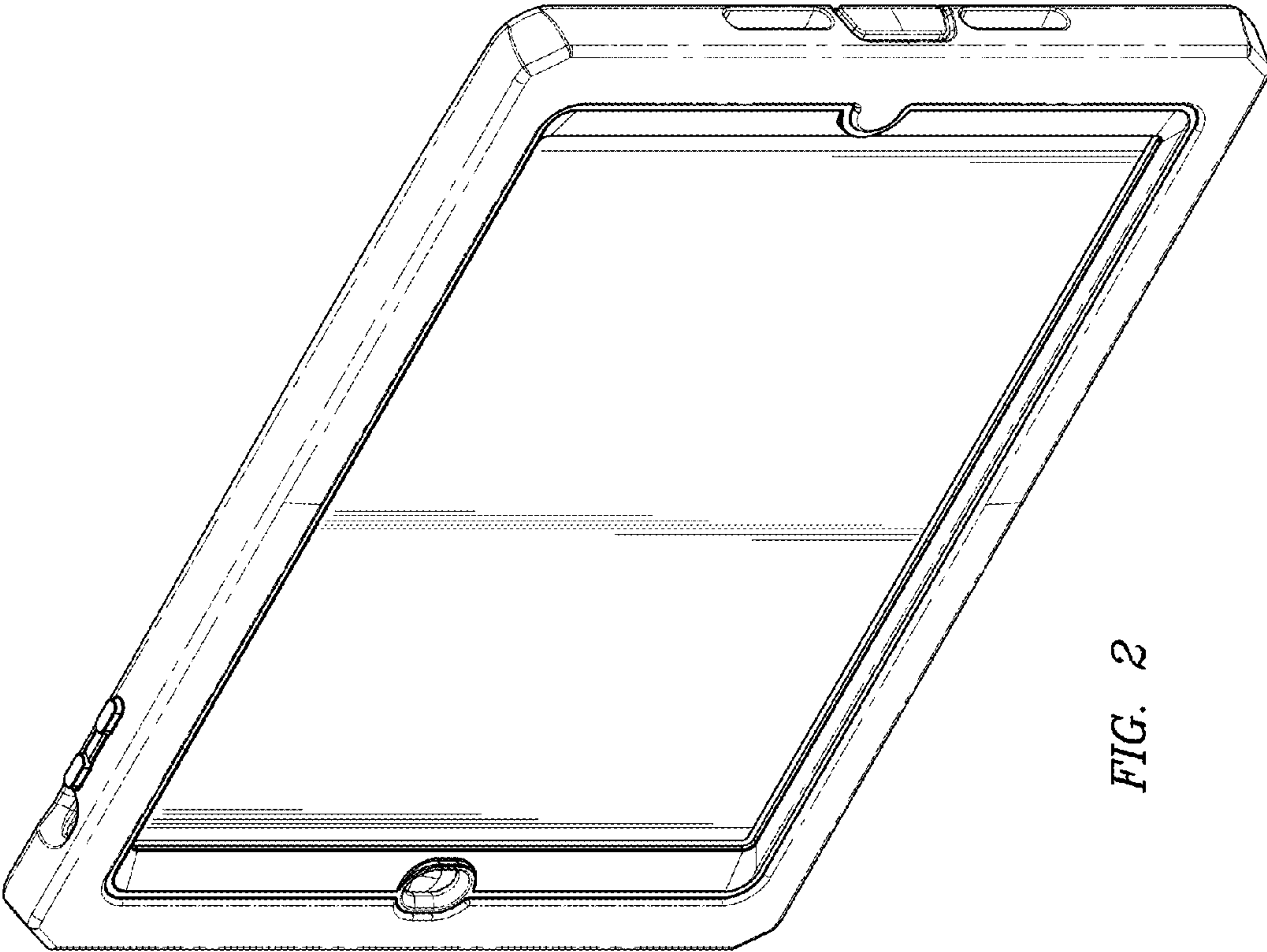


FIG. 2

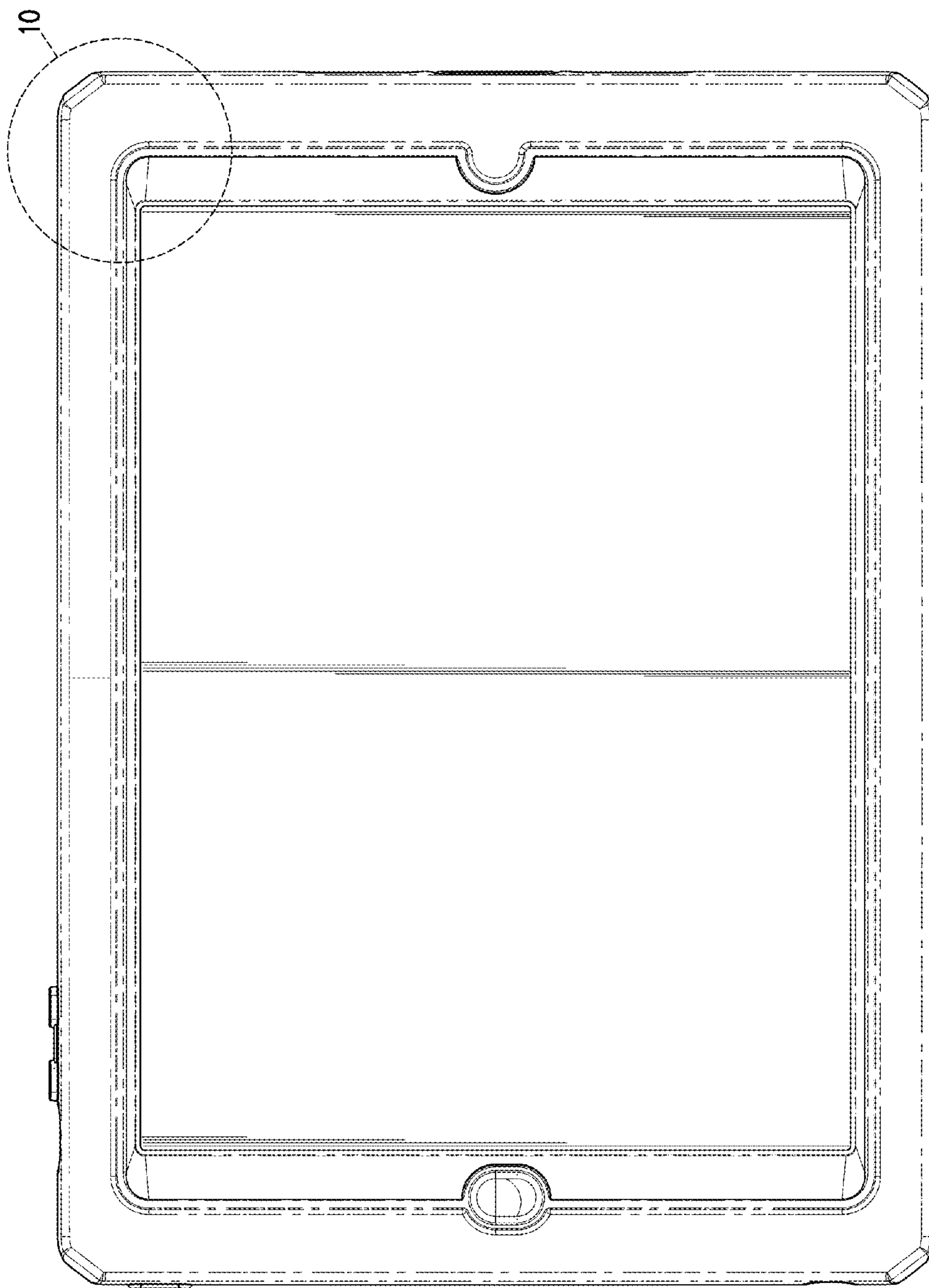


FIG. 3

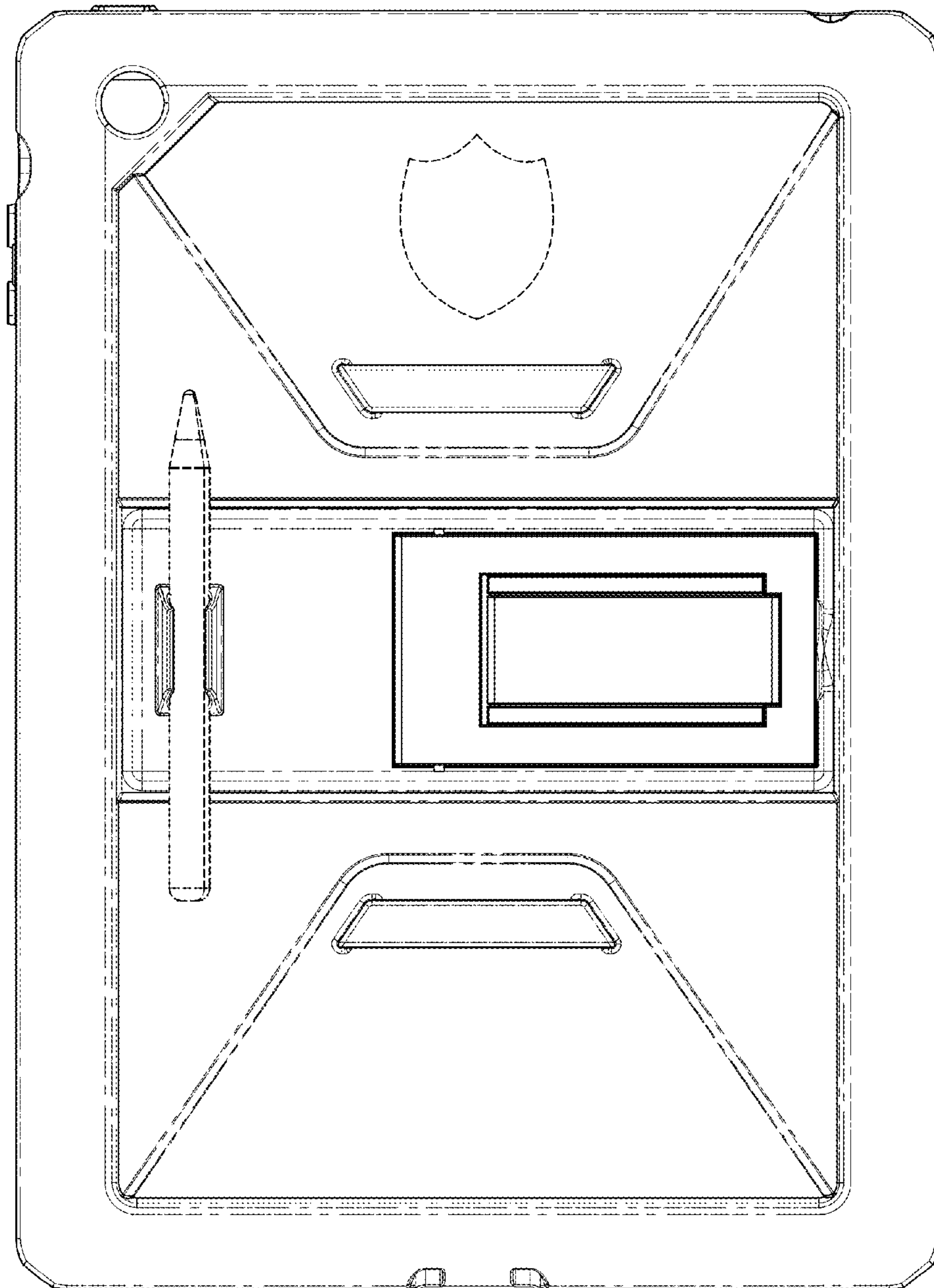


FIG. 4

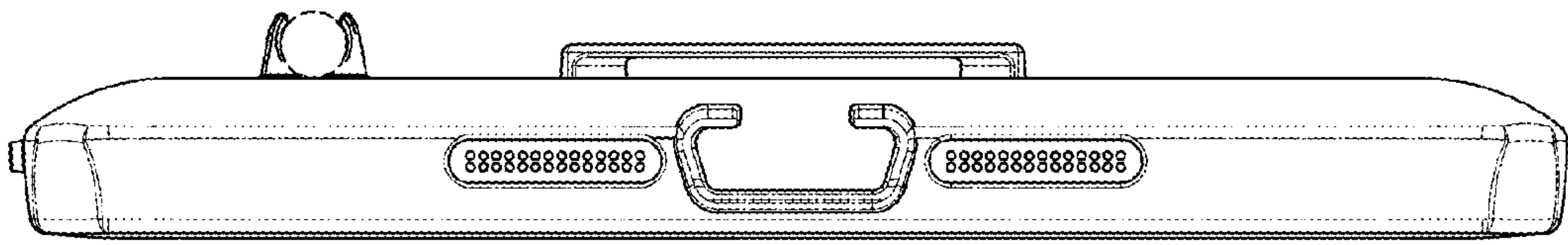


FIG. 6

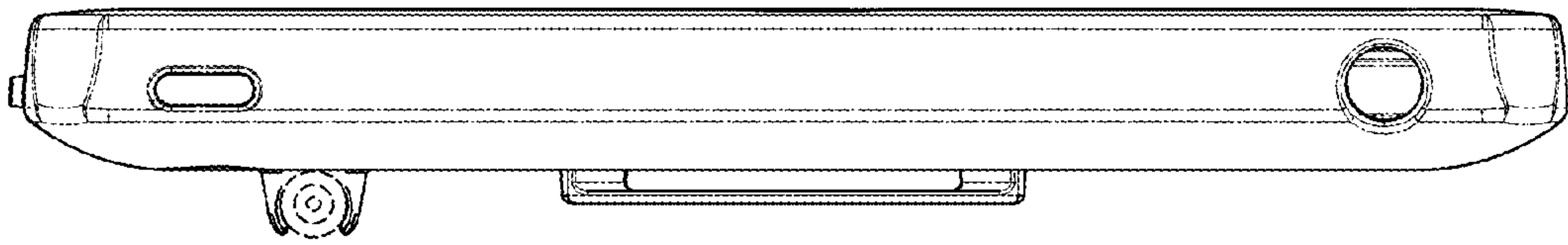


FIG. 5

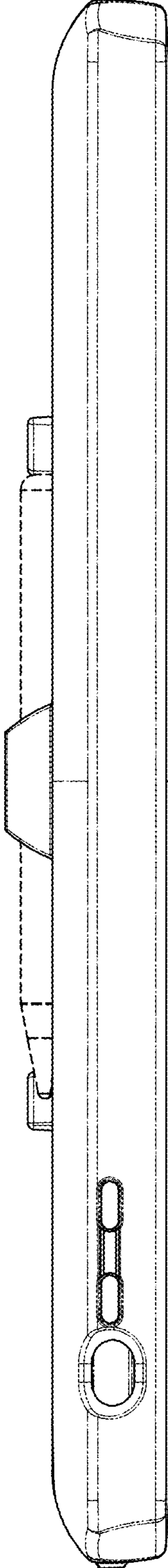


FIG. 7

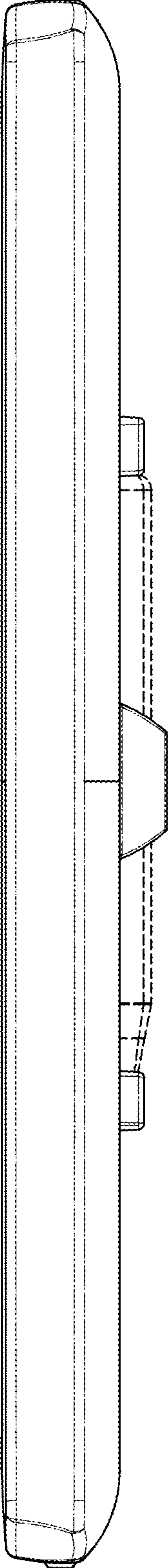


FIG. 8

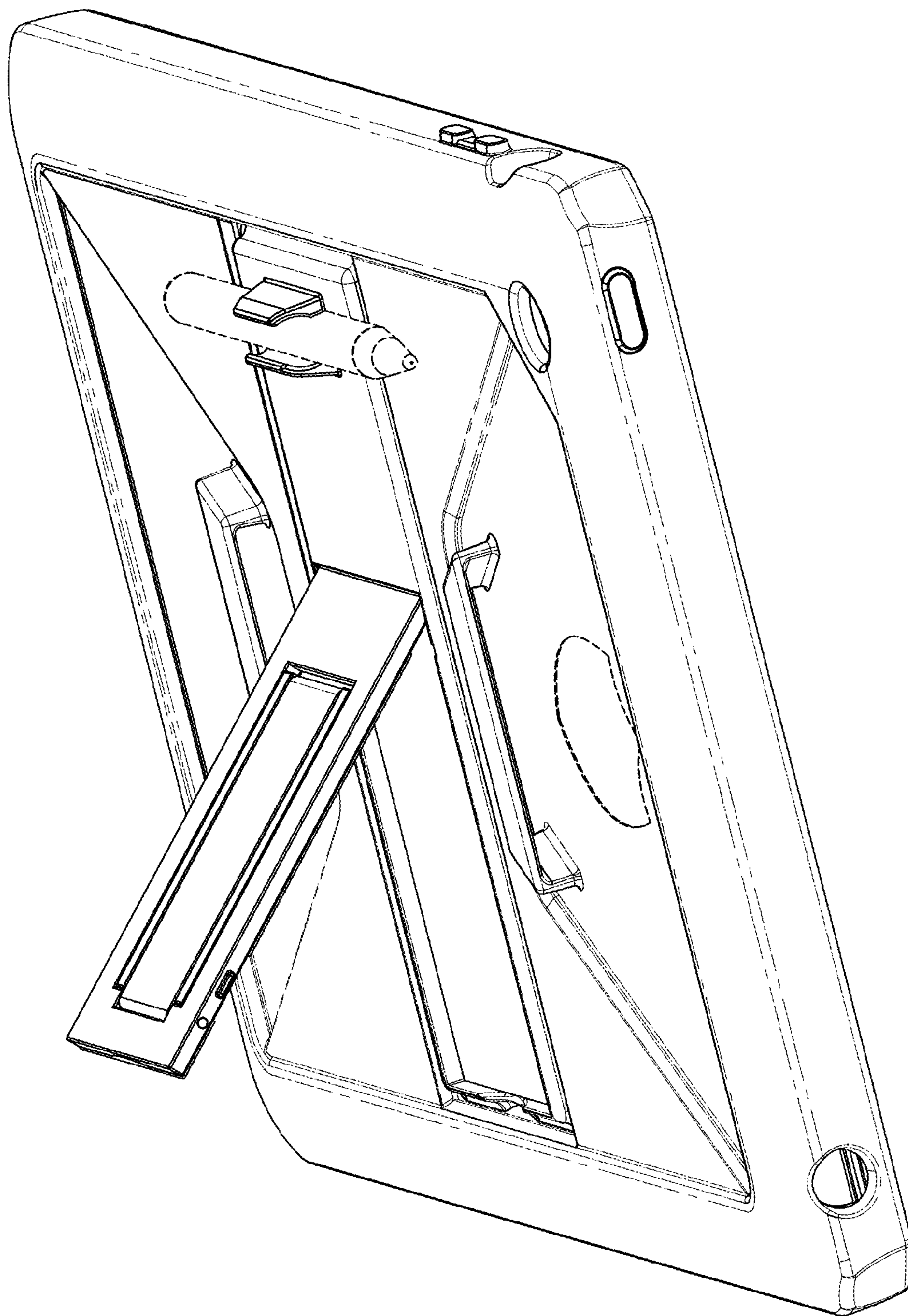


FIG. 9

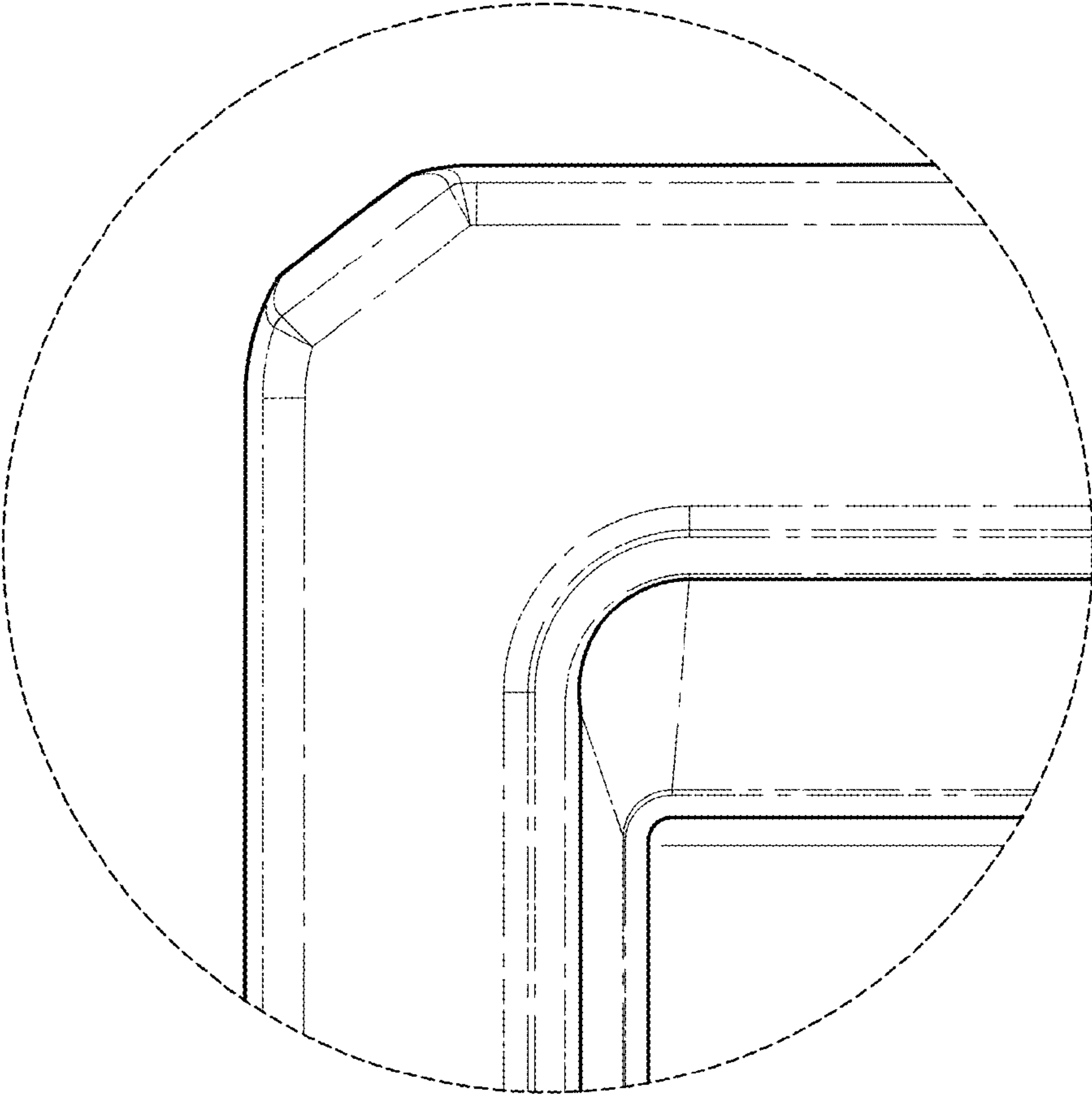


FIG. 10