



US00D765084S

(12) **United States Design Patent** (10) **Patent No.:** **US D765,084 S**
Akana et al. (45) **Date of Patent:** **** Aug. 30, 2016**

(54) **INPUT FOR AN ELECTRONIC DEVICE**

(71) Applicant: **Apple Inc.**, Cupertino, CA (US)

(72) Inventors: **Jody Akana**, San Francisco, CA (US); **Bartley K. Andre**, Palo Alto, CA (US); **Shota Aoyagi**, San Francisco, CA (US); **Jeremy Bataillou**, San Francisco, CA (US); **Daniel J. Coster**, San Francisco, CA (US); **Daniele De Iuliis**, San Francisco, CA (US); **M. Evans Hankey**, San Francisco, CA (US); **Matthew David Hill**, Santa Clara, CA (US); **Julian Hoenig**, San Francisco, CA (US); **Richard P. Howarth**, San Francisco, CA (US); **Jonathan P. Ive**, San Francisco, CA (US); **Duncan Robert Kerr**, San Francisco, CA (US); **Jared Kole**, San Francisco, CA (US); **Stefan Mag**, San Francisco, CA (US); **Nicholas George LeBreton Merz**, San Francisco, CA (US); **Scott A. Myers**, San Francisco, CA (US); **Benjamin J. Pope**, Sunnyvale, CA (US); **Matthew Rao**, San Francisco, CA (US); **Matthew Dean Rohrbach**, San Francisco, CA (US); **Peter Russell-Clarke**, San Francisco, CA (US); **Mikael Silvano**, San Francisco, CA (US); **Christopher J. Stringer**, Woodside, CA (US); **Tang Yew Tan**, San Francisco, CA (US); **Eugene Antony Whang**, San Francisco, CA (US); **Rico Zörkendörfer**, San Francisco, CA (US)

(73) Assignee: **Apple Inc.**, Cupertino, CA (US)

(**) Term: **14 Years**

(21) Appl. No.: **29/466,601**

(22) Filed: **Sep. 10, 2013**

(51) **LOC (10) Cl.** **14-02**

(52) **U.S. Cl.**

USPC **D14/439**

(58) **Field of Classification Search**

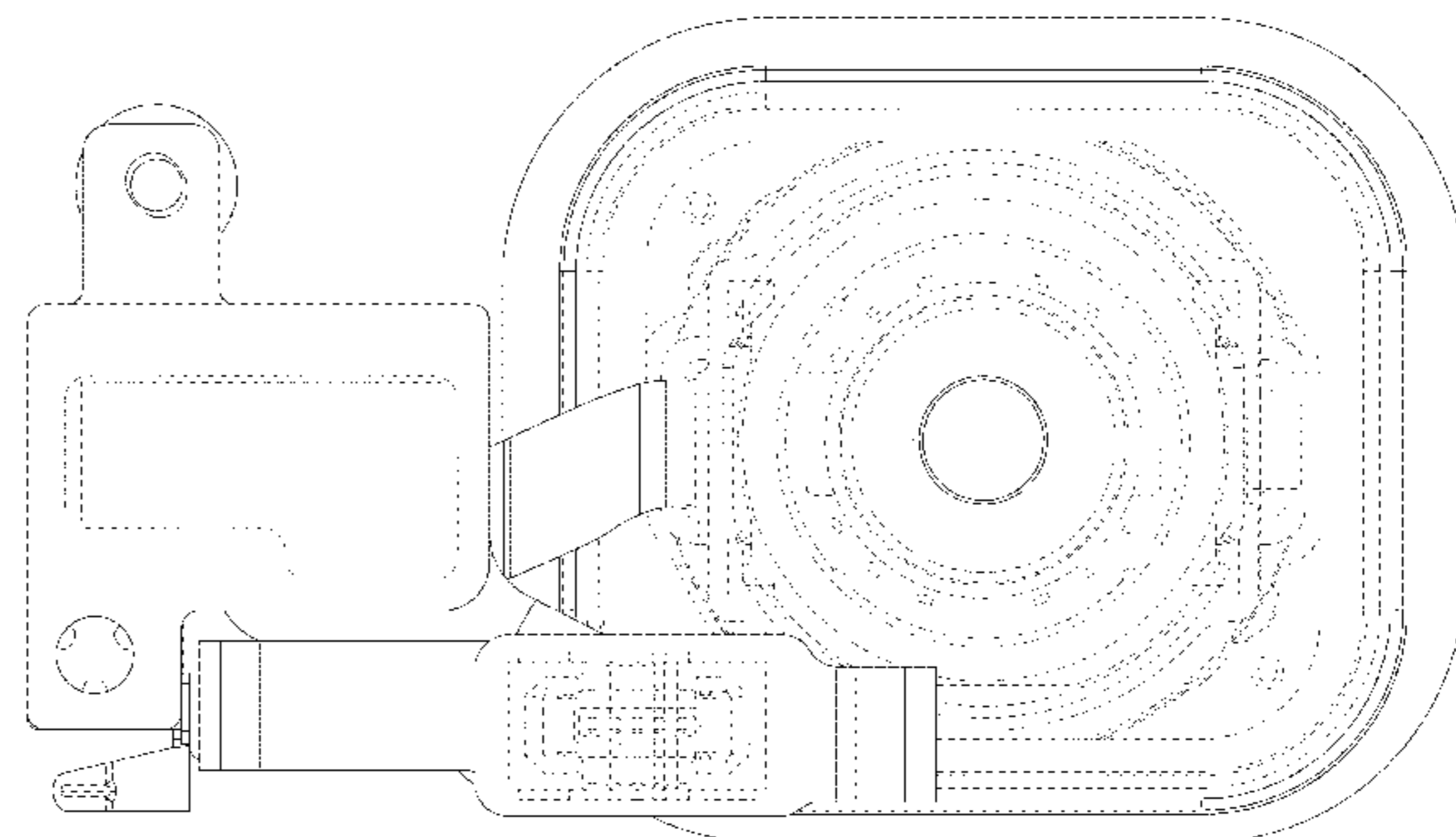
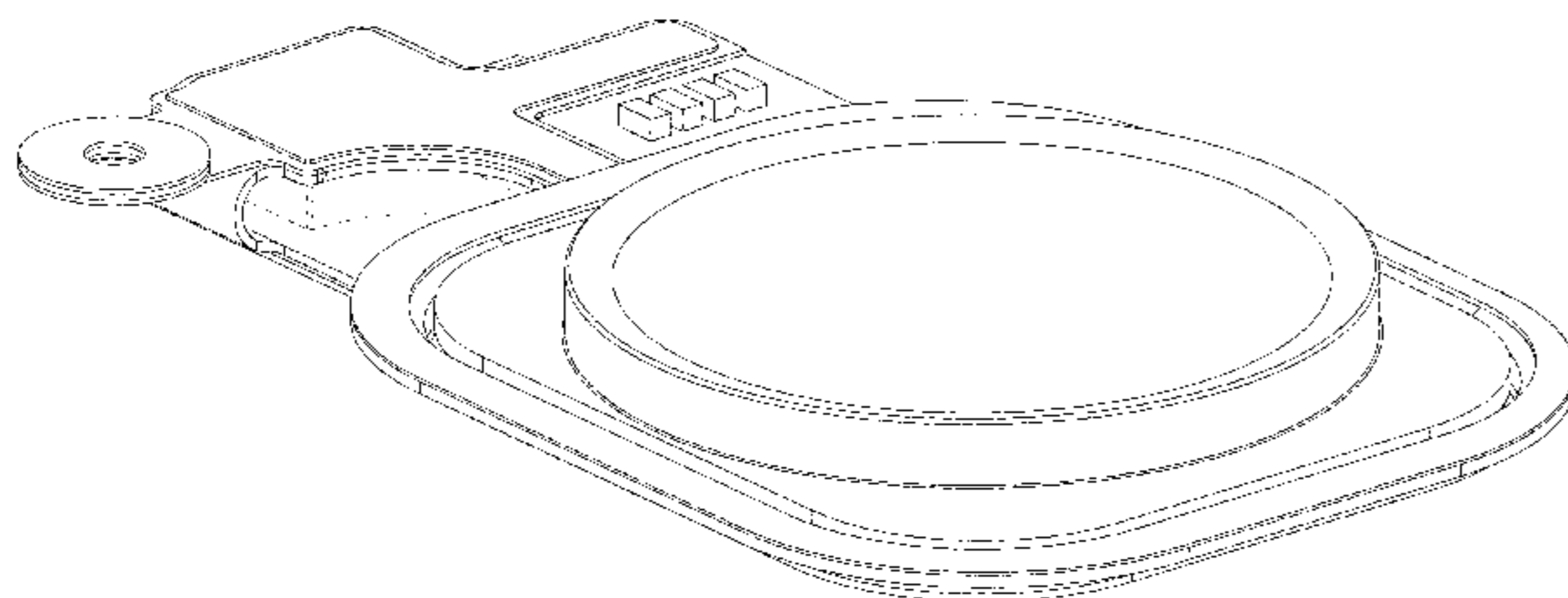
USPC D14/315-318, 341-347, 420, 426, 129, D14/130, 496, 137, 138 R, 138 AA, 138 C, D14/138 G, 147, 203.1, 203.3, 204.4, 203.7, D14/218, 248, 388, 389, 432, 439, 182, D14/455; D10/50, 65, 104.1; D21/329, 330; D6/308, 310; D13/154, 182
CPC .. G06F 3/0485; G06F 3/0488; G06F 1/1613; G06F 1/1624; G06F 1/1626; G06F 1/165; H04M 1/0202; H04M 1/0264; H04M 1/0214; H04M 1/0279; H04M 1/0281; H04M 1/0283; H04M 1/72544

See application file for complete search history.

(56) **References Cited**

U.S. PATENT DOCUMENTS

D243,406 S *	2/1977	Mooney	D13/154
D296,440 S	6/1988	Smith et al.	
D319,050 S	8/1991	Korellis et al.	
D360,195 S	7/1995	Kimbrough et al.	
D361,731 S	8/1995	Stegar	
D380,783 S	7/1997	Tyler	
D382,603 S	8/1997	Goto	
D396,452 S	7/1998	Naruki	
D421,972 S	3/2000	Makidera et al.	
D437,594 S	2/2001	Goldberg et al.	
D442,172 S	5/2001	Mizuno	
D449,617 S *	10/2001	Herath	D14/433
D451,505 S	12/2001	Iseki et al.	
D452,232 S *	12/2001	Hayasaka	D14/240
D452,250 S	12/2001	Chan	
D453,158 S	1/2002	Chen	
D470,523 S	2/2003	Basmadjian et al.	
D480,720 S	10/2003	Sjoberg et al.	
D485,265 S	1/2004	Sato et al.	
D486,133 S	2/2004	Martinez et al.	
D489,063 S	4/2004	Chiu et al.	
D490,418 S	5/2004	Liao	
D494,188 S	8/2004	Huang	
D498,754 S	11/2004	Blyth	
D501,476 S	2/2005	Quijano	
D501,664 S *	2/2005	Minamio	D14/432
D502,945 S	3/2005	Huang et al.	
D503,717 S *	4/2005	Kawamura	D14/432
D506,195 S	6/2005	Leveridge et al.	
D507,267 S	7/2005	Loew et al.	



D514,568 S	2/2006	Huang et al.	
D516,550 S	3/2006	Taniho et al.	
D519,502 S	4/2006	Hawkins et al.	
D520,020 S	5/2006	Senda et al.	
7,052,296 B2 *	5/2006	Yang	G06F 1/1626 439/165
D527,015 S	8/2006	Yang	
D528,542 S	9/2006	Luminosu et al.	
D533,553 S *	12/2006	Xu	D14/349
D536,337 S	2/2007	Chuang	
D557,243 S	12/2007	Kim et al.	
D558,726 S	1/2008	Wang et al.	
D560,229 S	1/2008	Yagi	
D560,230 S	1/2008	Yagi	
D561,204 S	2/2008	Toh	
D561,782 S	2/2008	Kim	
D565,596 S	4/2008	Kim	
D567,254 S	4/2008	Lee	
D568,310 S *	5/2008	Franck	D14/240
D573,144 S	7/2008	Lin	
D577,705 S	9/2008	Marquez	
D590,825 S	4/2009	Liu	
D599,345 S	9/2009	Ko et al.	
7,652,873 B2 *	1/2010	Lee	E05B 65/006 248/917
D609,652 S *	2/2010	Nagasaka	D13/182
D610,141 S	2/2010	Griffin et al.	
7,876,274 B2	1/2011	Hobson et al.	
7,889,139 B2	2/2011	Hobson et al.	
7,911,387 B2	3/2011	Hill et al.	
8,118,274 B2 *	2/2012	McClure	A47B 23/042 248/455
D662,939 S *	7/2012	Akana	D14/447
D673,515 S *	1/2013	Corbin	D13/182
D674,761 S *	1/2013	Iida	D13/182
D686,213 S *	7/2013	Haymond	D14/432
D695,316 S	12/2013	Akana et al.	
D700,899 S *	3/2014	Corbin	D13/182
D716,742 S *	11/2014	Jang	D13/182
D724,553 S *	3/2015	Choi	D13/182
D735,131 S *	7/2015	Akana	D13/108
2005/0035514 A1 *	2/2005	Hillman	B25B 11/005 269/21
2005/0152089 A1 *	7/2005	Matsuda	H02N 13/00 361/234
2008/0316121 A1 *	12/2008	Hobson	H01Q 1/243 343/702
2009/0064038 A1	3/2009	Fleischman et al.	
2009/0247237 A1	10/2009	Mittleman et al.	
2010/0126760 A1	5/2010	Ishikawa	

FOREIGN PATENT DOCUMENTS

KR 30-0452305 6/2007

OTHER PUBLICATIONS

Apple Pairs Every Touch ID Sensor To Its A7 Chip To Make Them Super Secure, announced Nov. 1, 2013 [online], [site visited Sep. 11, 2015]. Available from Internet.*
 iPhone 5S Home Button + Fingerprint Scanner Replacement, announced May 28, 2014 [online], [site visited Sep. 11, 2015]. Available from Internet.*
 iPhone 5C Home Button Replacement Guide, announced Dec. 12, 2013 [online], [site visited Sep. 15, 2015]. Available from Internet, URL: <<https://www.youtube.com/watch?v=2fCVIaoLcfo>>.*
 iPhone 6 Home Button Touck ID Replacement, announced Jun. 20, 2015 [online], [site visited Sep. 11, 2015]. Available from Internet.*
 U.S. Appl. No. 29/417,307, filed Apr. 2, 2012 (Not Published).
 U.S. Appl. No. 29/417,012, filed Mar. 29, 2012.
 U.S. Appl. No. 29/452,805, filed Apr. 22, 2013.

* cited by examiner

Primary Examiner — Barbara Fox

Assistant Examiner — Dana K Weiland

(74) *Attorney, Agent, or Firm* — Sterne, Kessler, Goldstein & Fox P.L.L.C.

(57) **CLAIM**

The ornamental design for an input for an electronic device, as shown and described.

DESCRIPTION

FIG. 1 is a bottom front perspective view of a component for an electronic device showing the claimed design;
 FIG. 2 is a front view thereof;
 FIG. 3 is a rear view thereof;
 FIG. 4 is a top view thereof;
 FIG. 5 is a bottom view thereof;
 FIG. 6 is a left view thereof; and,
 FIG. 7 is a right view thereof.
 The broken lines in the figures illustrate portions of the component for an electronic device that form no part of the claimed design.

1 Claim, 5 Drawing Sheets

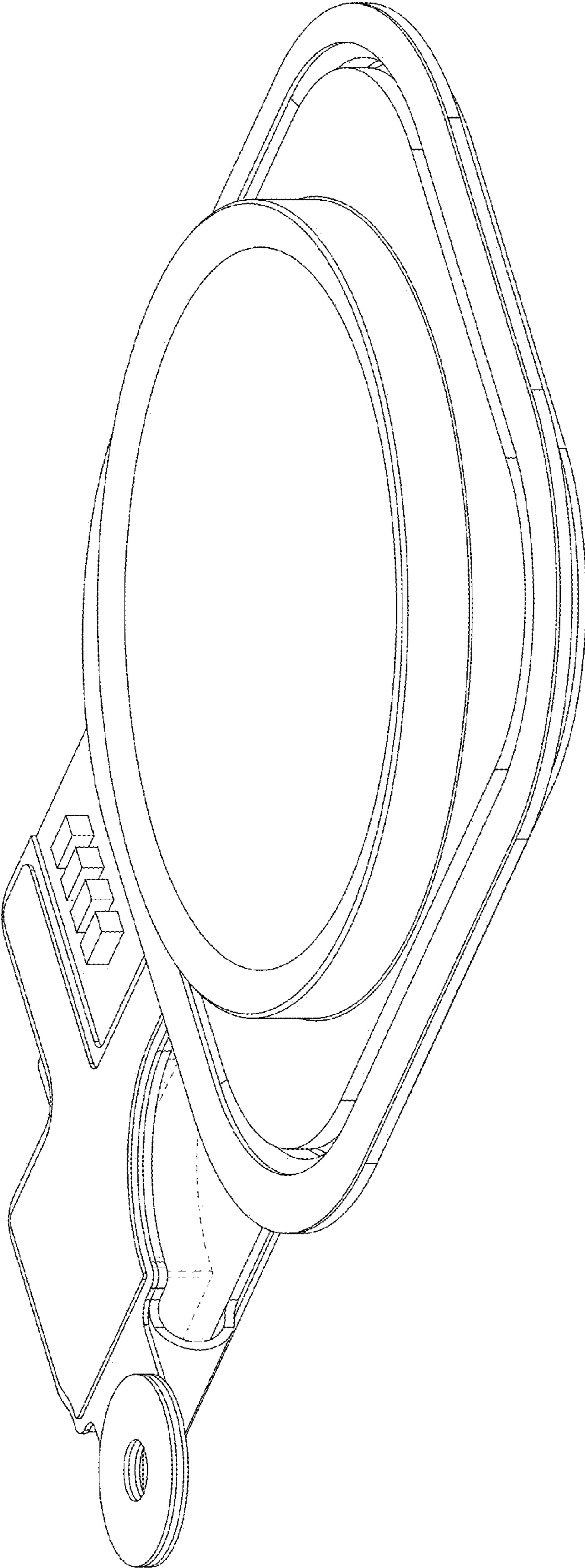


FIG. 1

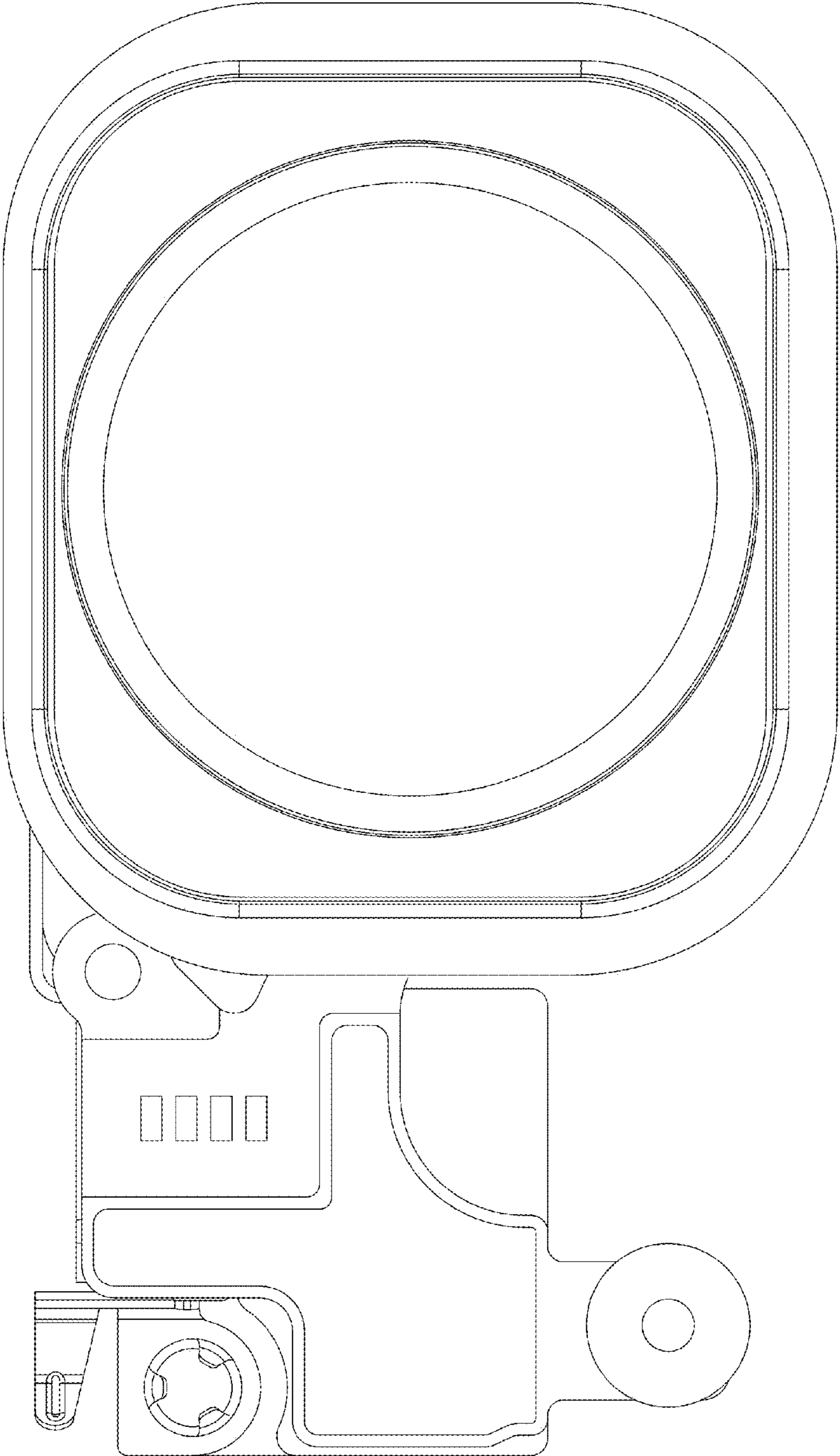


FIG. 2

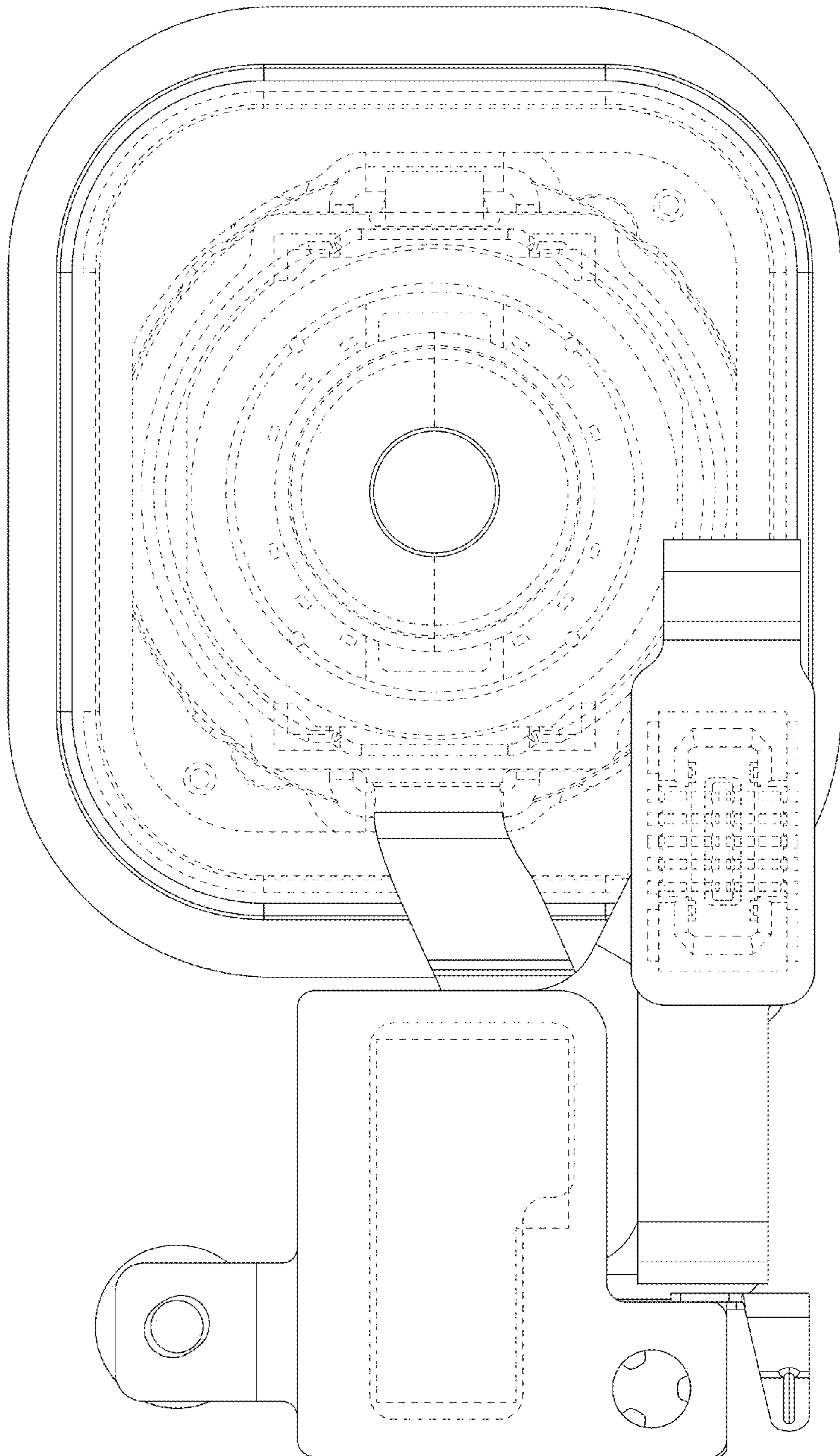


FIG. 3

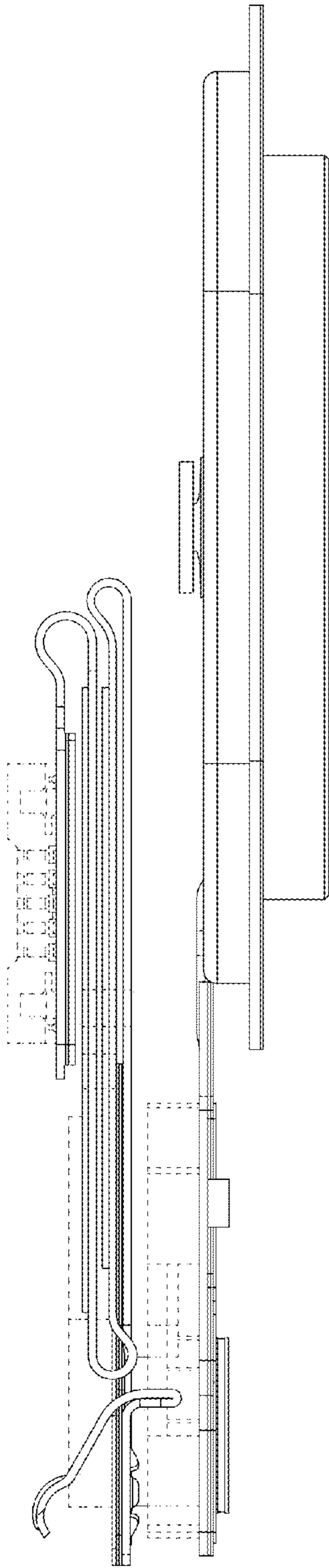


FIG. 4

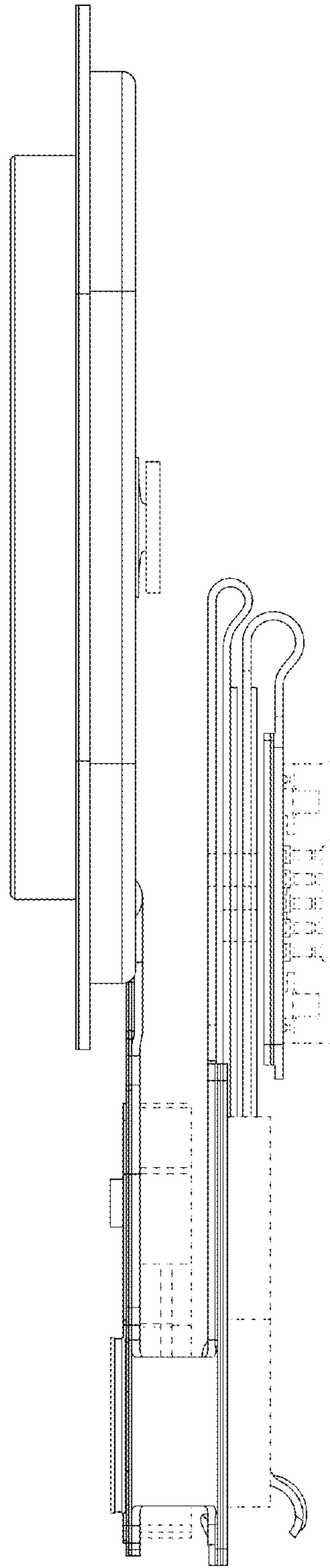
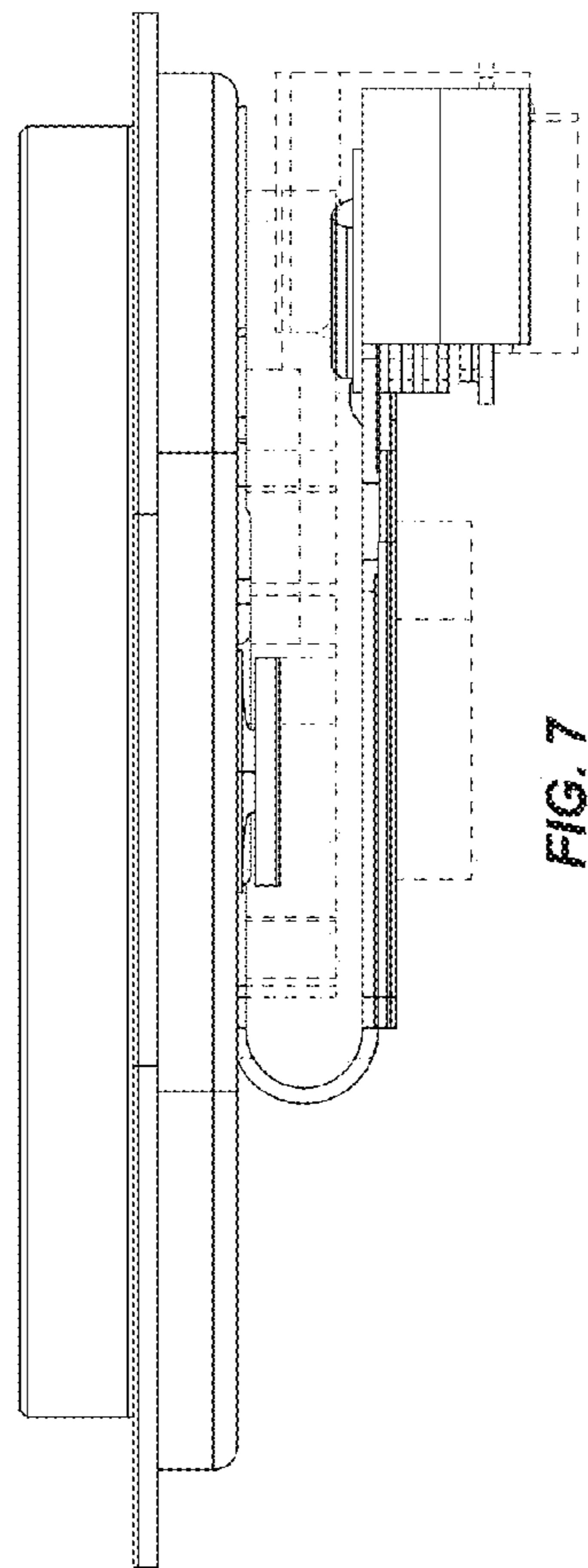
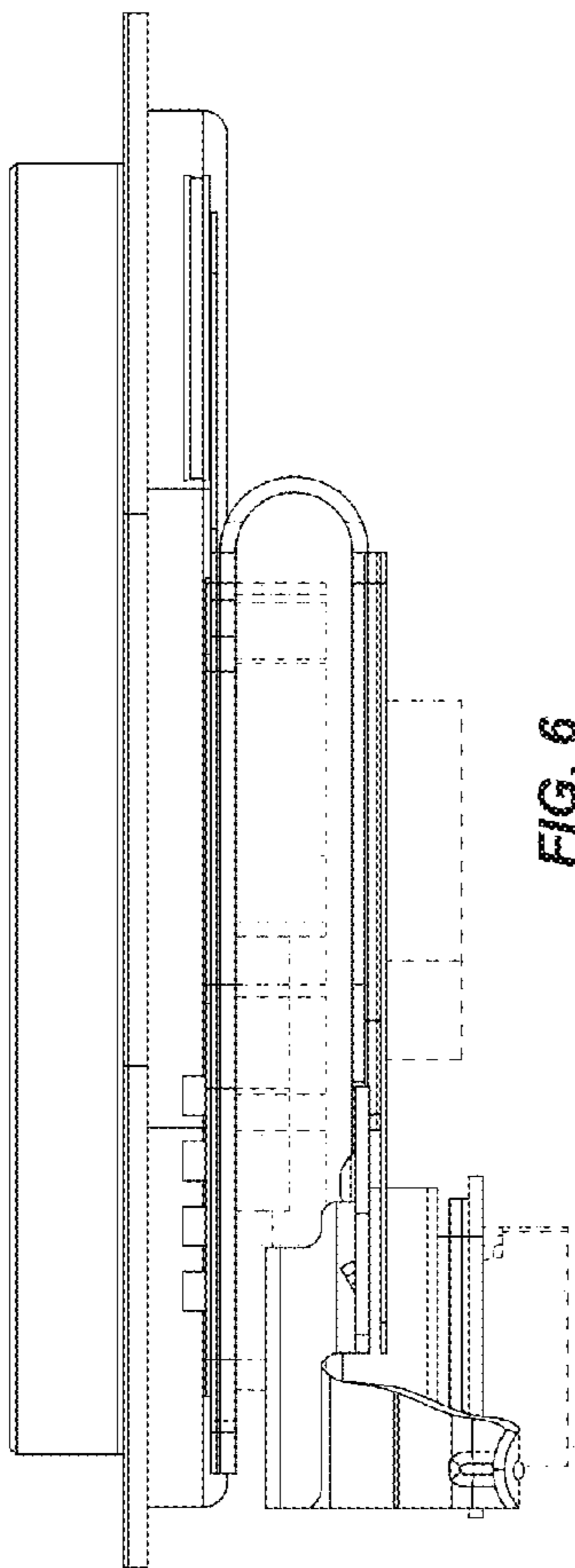


FIG. 5



UNITED STATES PATENT AND TRADEMARK OFFICE
CERTIFICATE OF CORRECTION

PATENT NO. : D765,084 S
APPLICATION NO. : 29/466601
DATED : August 30, 2016
INVENTOR(S) : Jody Akana

Page 1 of 1

It is certified that error appears in the above-identified patent and that said Letters Patent is hereby corrected as shown below:

On the Title Page

In the "Title" item (54), replace "INPUT FOR AN ELECTRONIC DEVICE" with -- COMPONENT FOR AN ELECTRONIC DEVICE --.

In the "Claim" item (57), replace "The ornamental design for an input for an electronic device, as shown and described." with -- The ornamental design for a component for an electronic device, as shown and described. --.

Signed and Sealed this
Second Day of January, 2018



Joseph Matal
*Performing the Functions and Duties of the
Under Secretary of Commerce for Intellectual Property and
Director of the United States Patent and Trademark Office*