



US00D765083S

(12) **United States Design Patent** (10) **Patent No.:** **US D765,083 S**
Breitweiser et al. (45) **Date of Patent:** **** Aug. 30, 2016**

(54) **DONGLE FOR A MEDICAL DEVICE**
(71) Applicant: **Covidien LP**, Mansfield, MA (US)
(72) Inventors: **Kenneth Breitweiser**, Brighton, IL (US); **Robert Gaines**, Lake Saint Louis, MO (US); **James Harr**, Wentzville, MO (US); **Joel Wiesner**, St. Peters, MO (US); **John Holste**, Hamburg, IL (US)

D569,848 S * 5/2008 Suzuki D14/188
D585,060 S * 1/2009 Han D14/358
D585,061 S * 1/2009 Han D14/358
D618,226 S * 6/2010 Tong D13/133
D625,730 S * 10/2010 Cacioppo D14/435.1
D631,885 S * 2/2011 Maier D14/435.1
D648,726 S * 11/2011 Behar D14/435.1
D672,780 S * 12/2012 Chen D13/147
D688,247 S * 8/2013 Girotti D14/240
D688,651 S * 8/2013 Daniel D14/240
D746,232 S * 12/2015 Chen D13/133

* cited by examiner

(73) Assignee: **Covidien LP**, Mansfield, MA (US)
(**) Term: **14 Years**

Primary Examiner — Angela J Lee

(21) Appl. No.: **29/493,700**

(57) **CLAIM**

The ornamental design for a dongle for a medical device, as shown and described.

(22) Filed: **Jun. 12, 2014**

DESCRIPTION

(51) **LOC (10) Cl.** **14-03**
(52) **U.S. Cl.**
USPC **D14/435.1**
(58) **Field of Classification Search**
USPC D14/435.1, 480.1–480.7, 411, 433, 436,
D14/484.1, 137, 155, 203.1–203.8, 240,
D14/242, 133, 154
CPC H05K 5/0278; G06K 19/07732
See application file for complete search history.

FIG. 1 is a perspective view of a dongle for a medical device including a translucent front portion;
FIG. 2 is a rear view thereof;
FIG. 3 is a left side view thereof;
FIG. 4 is a top plan view thereof;
FIG. 5 is a front view thereof;
FIG. 6 is a right side view thereof;
FIG. 7 is a bottom plan view thereof; and,
FIG. 8 is a rear perspective view of the dongle for a medical device mounted on a back housing member of an enteral feeding pump shown in phantom.
The elements shown in phantom form no part of the claimed design.

(56) **References Cited**

U.S. PATENT DOCUMENTS

D536,695 S * 2/2007 Griffin D14/230
D569,375 S * 5/2008 Yu D14/385

1 Claim, 8 Drawing Sheets

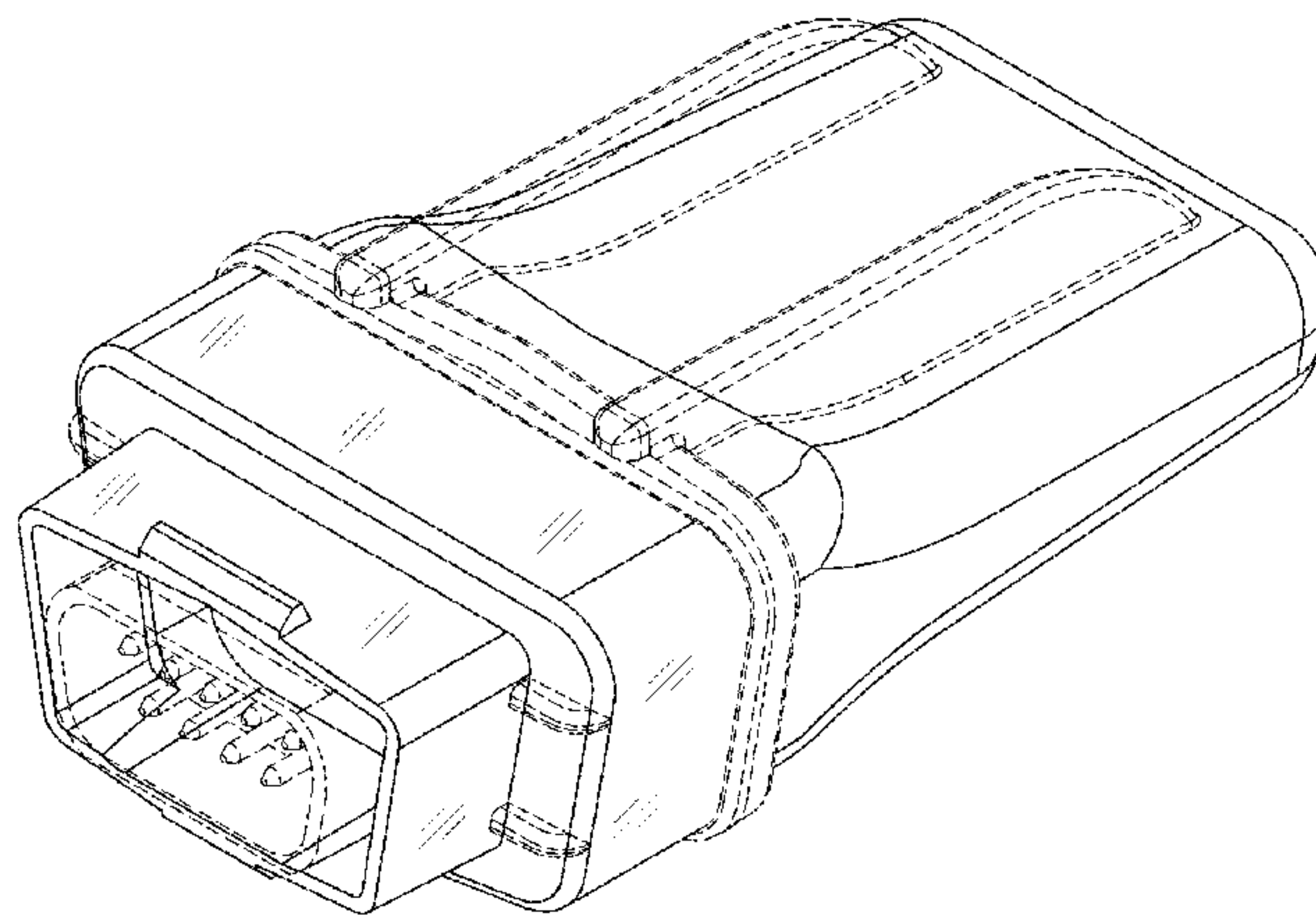


FIG. 1

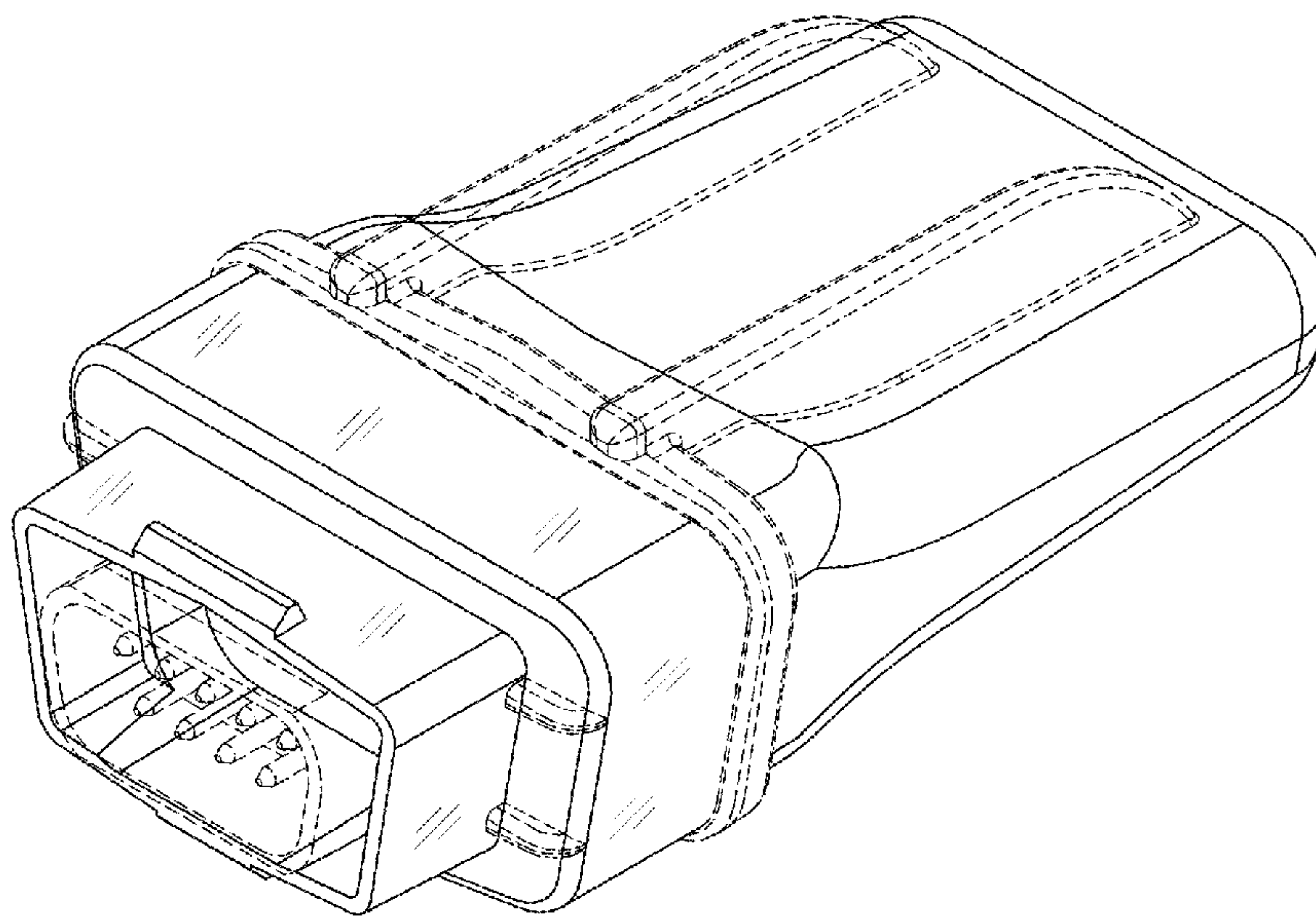


FIG. 2

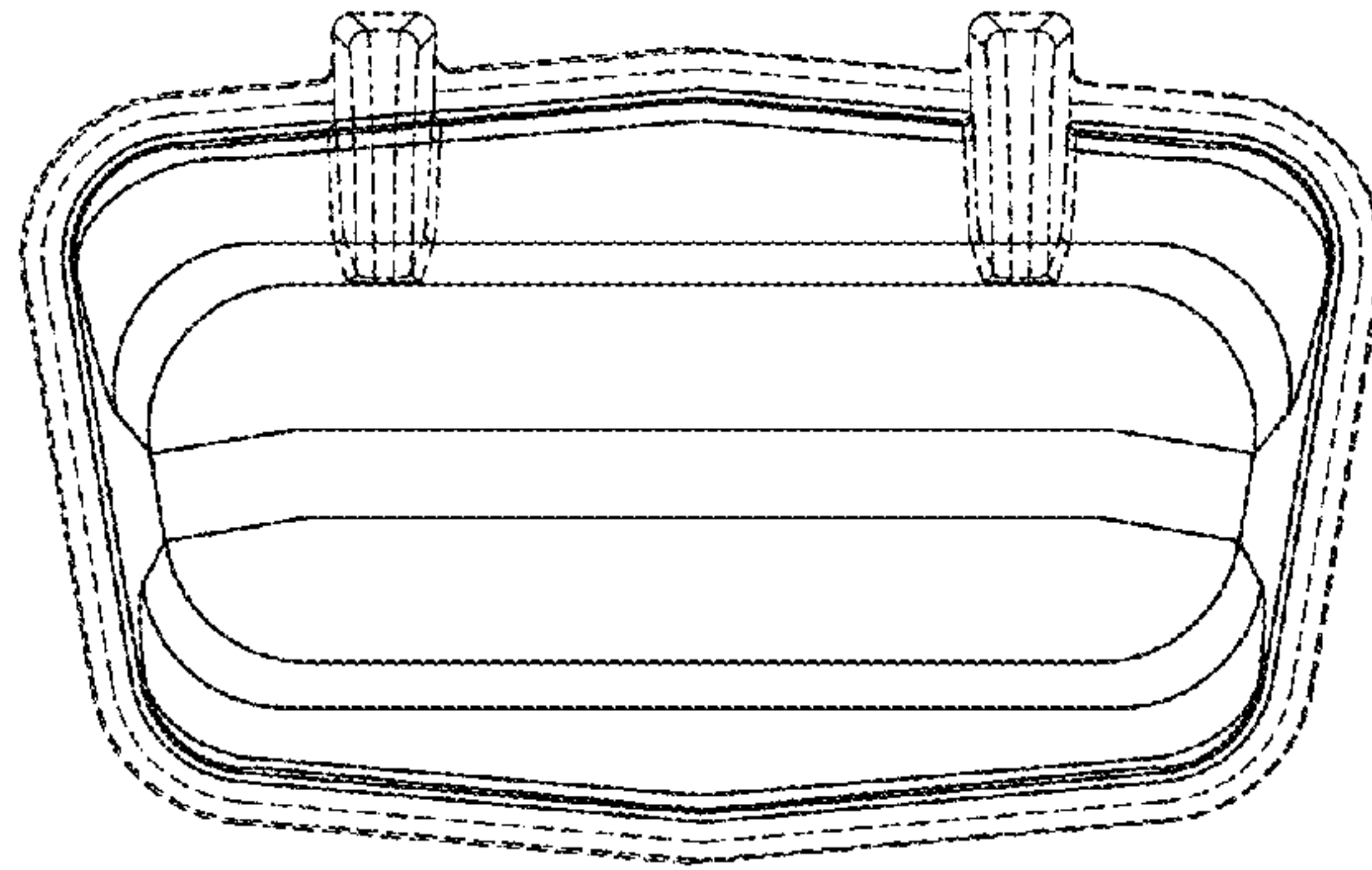


FIG. 3

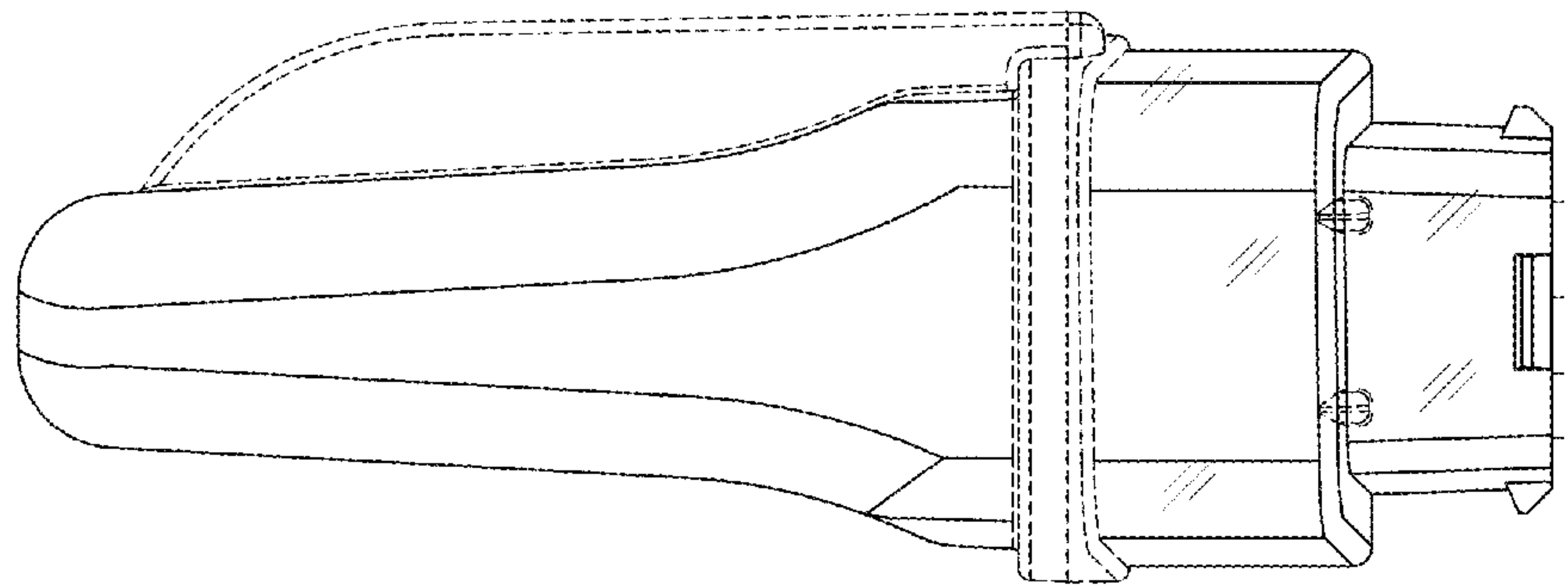


FIG. 4

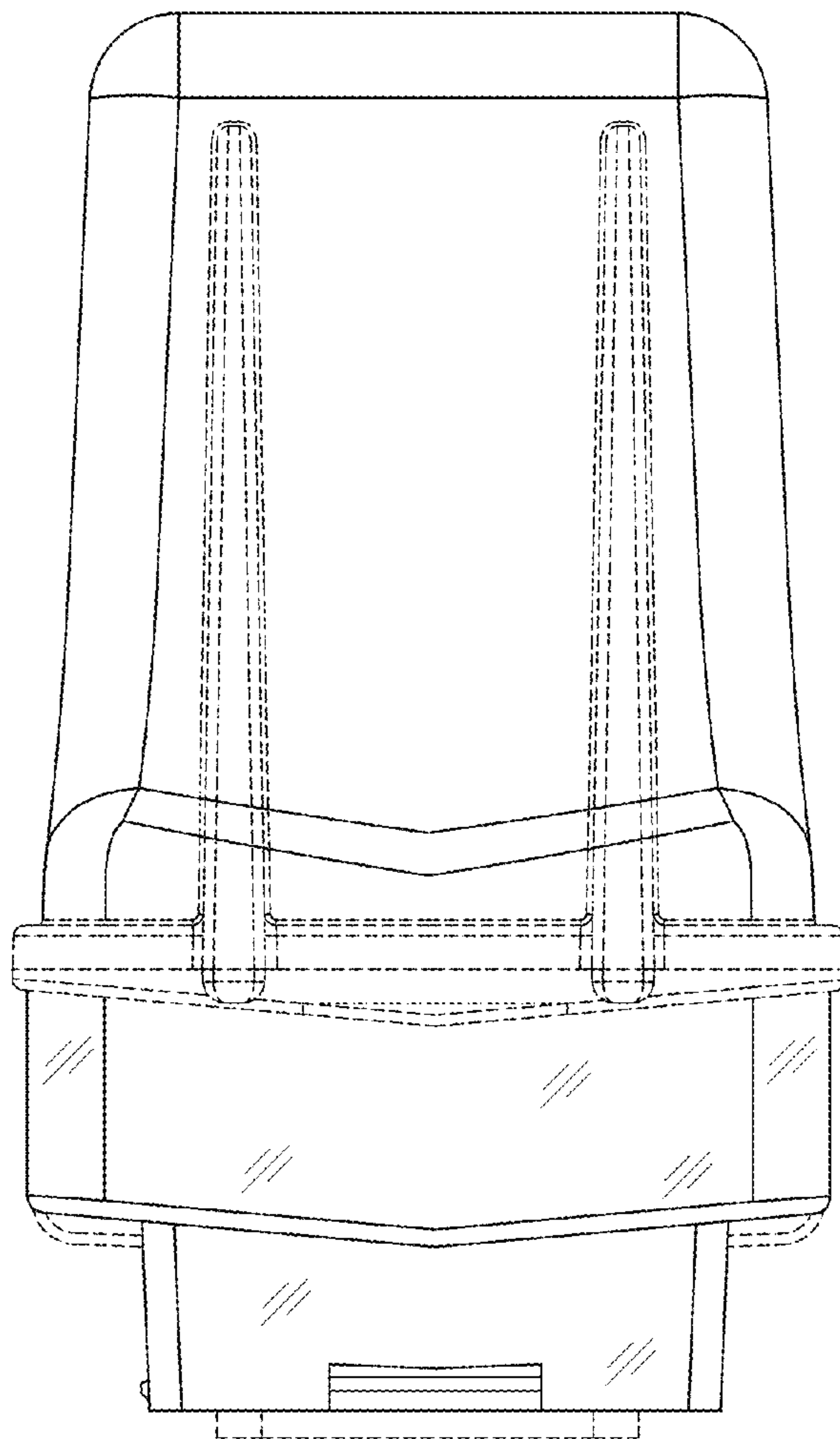


FIG. 5

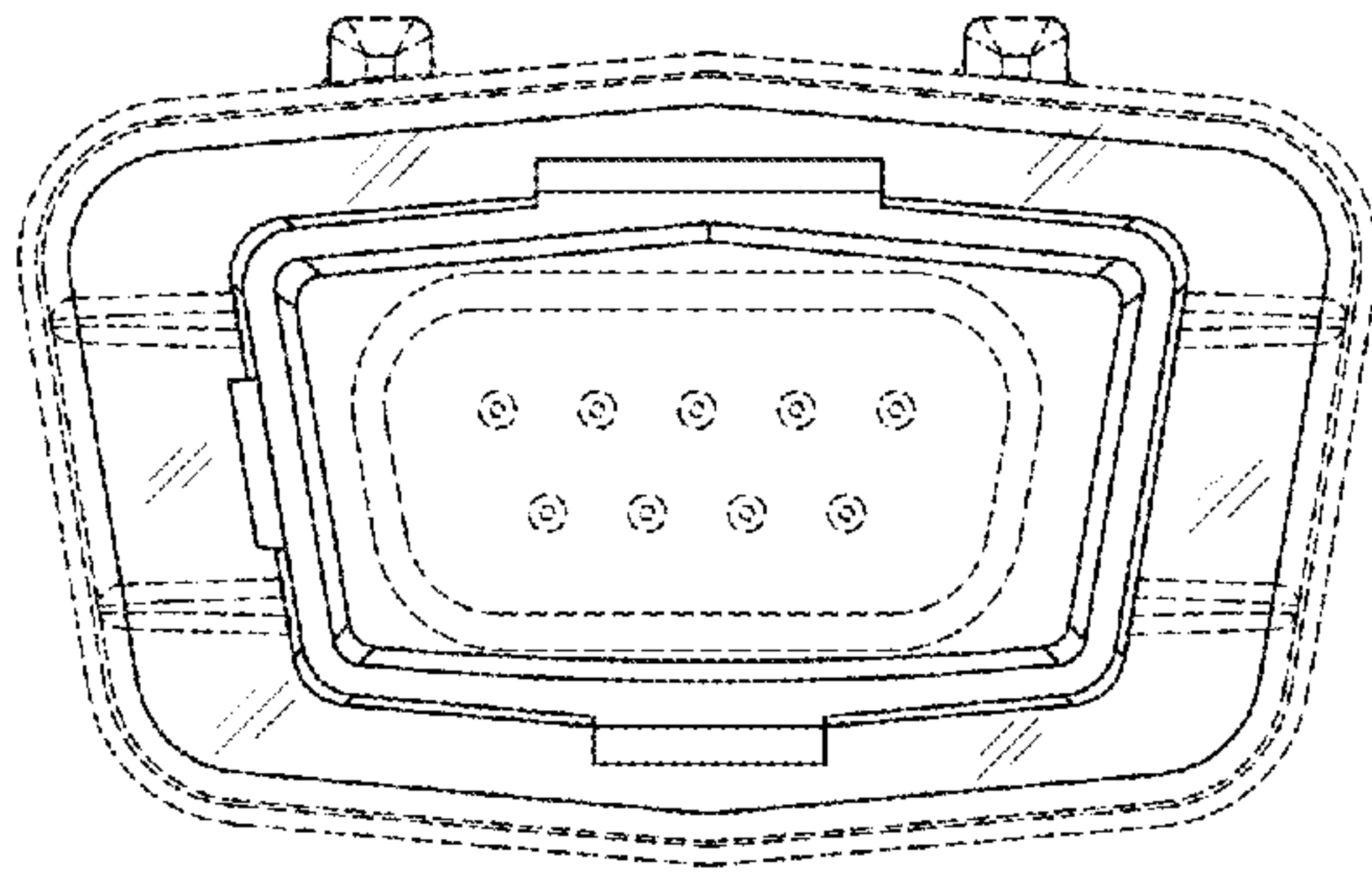


FIG. 6

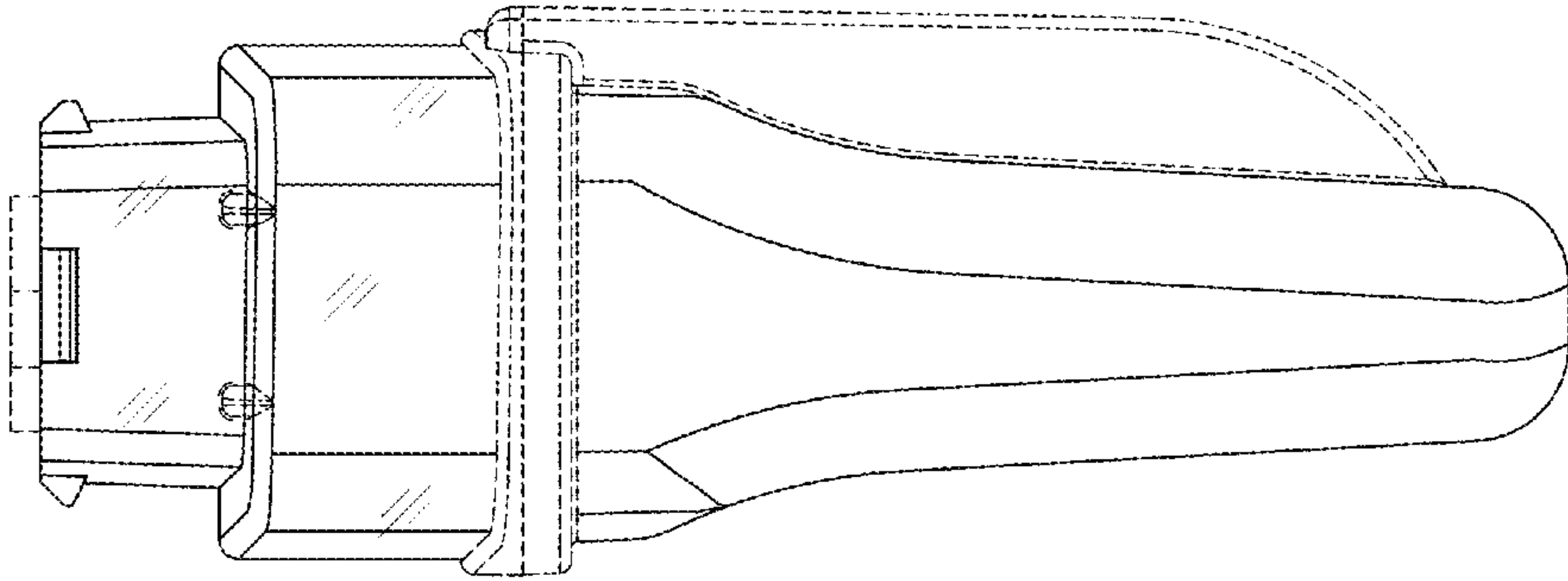


FIG. 7

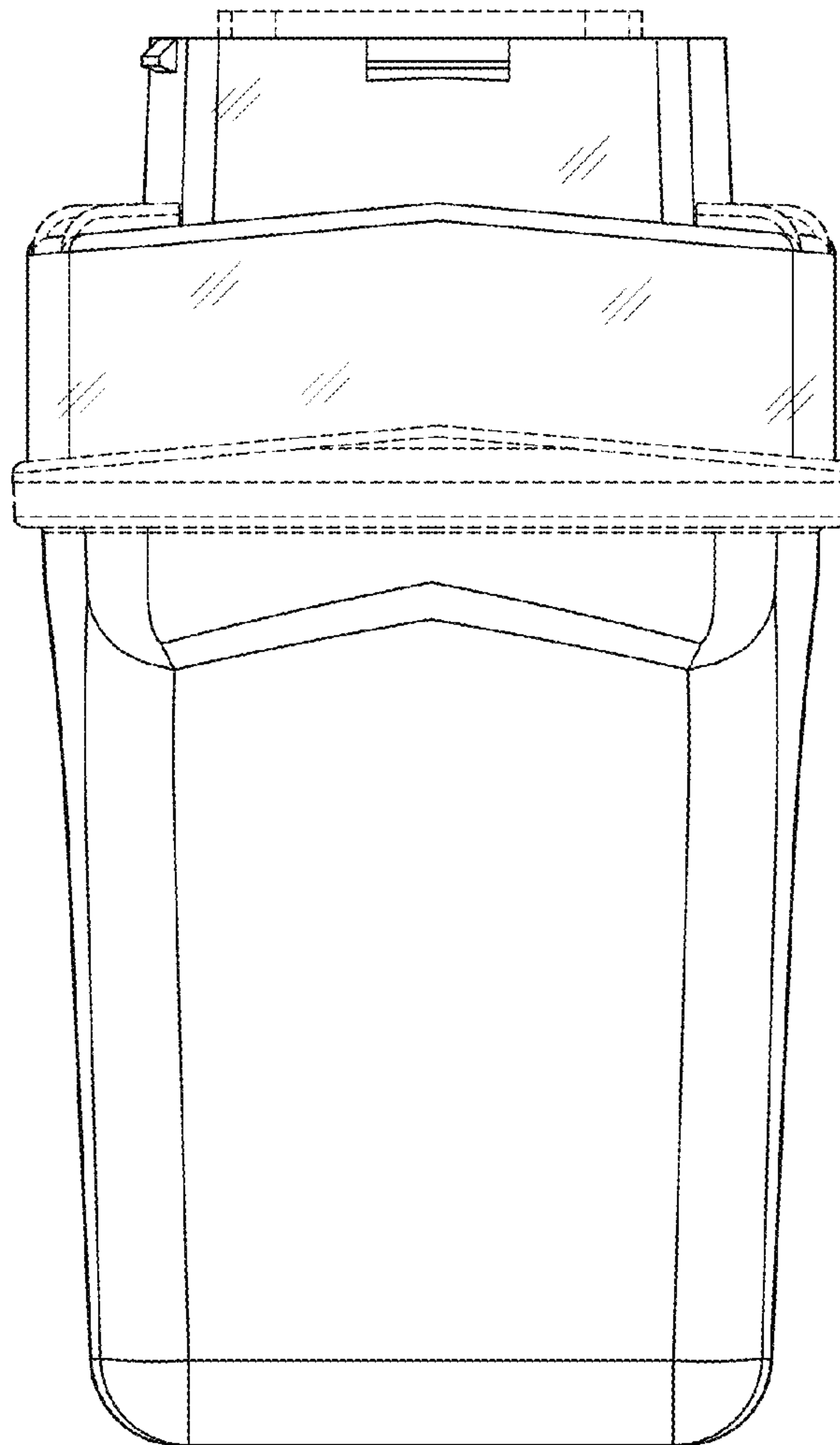


FIG. 8

