

US00D765082S

(12) **United States Design Patent** (10) **Patent No.:** **US D765,082 S**
Allen, Sr. et al. (45) **Date of Patent:** **** Aug. 30, 2016**

(54) **WIRELESS TRANSMISSION DEVICE**

(74) *Attorney, Agent, or Firm* — McCarter & English, LLC

(71) Applicant: **iDevices, LLC**, Avon, CT (US)

(57) **CLAIM**

The ornamental design for a wireless transmission device, as shown and described.

(72) Inventors: **Christopher J. Allen, Sr.**, West Hartford, CT (US); **Michael Tetreault**, Simsbury, CT (US); **Hillary Tracy**, New Britain, CT (US)

DESCRIPTION

(73) Assignee: **iDevices, LLC**, Avon, CT (US)

FIG. 1 is a rear left perspective view of a first embodiment of a wireless transmission device;
FIG. 2 is a front left perspective thereof;
FIG. 3 is a front elevational view thereof;
FIG. 4 is a rear elevational view thereof;
FIG. 5 is a left side elevational view thereof, the right side elevational view being a mirror image thereof; and
FIG. 6 is a top plan view thereof, the bottom plan view being a mirror image thereof;
FIG. 7 is a rear left perspective view of a second embodiment of a wireless transmission device, wherein the diagonal cross-hatched portion of the wireless transmission device indicates a color and stippled portion of the wireless transmission device indicates another color;
FIG. 8 is a front left perspective thereof;
FIG. 9 is a front elevational view thereof;
FIG. 10 is a rear elevational view thereof;
FIG. 11 is a left side elevational view thereof, the right side elevational view being a mirror image thereof; and
FIG. 12 is a top plan view thereof, the bottom plan view being a mirror image thereof;
FIG. 13 is a rear left perspective view of a third embodiment of a wireless transmission device, wherein the diagonal cross-hatched portion of the wireless transmission device indicates a white color and stippled portion of the wireless transmission device indicates a blue color;
FIG. 14 is a front left perspective thereof; and
FIG. 15 is a front elevational view thereof.
FIG. 16 is a rear elevational view thereof;
FIG. 17 is a left side elevational view thereof, the right side elevational view being a mirror image thereof; and
FIG. 18 is a top plan view thereof, the bottom plan view being a mirror image thereof.
The broken lines in the figures show environment, structure or boundaries that form no part of the claimed design.

(**) Term: **14 Years**

(21) Appl. No.: **29/491,496**

(22) Filed: **May 21, 2014**

(51) **LOC (10) Cl.** **14-02**

(52) **U.S. Cl.**
USPC **D14/433**

(58) **Field of Classification Search**
USPC D14/356, 432–434, 453, 454, 511, D14/203.8, 209.1, 238.1, 240, 125; 439/638, 928, 105, 502; 710/303, 304; 361/679.41, 679.55, 679.56; D13/110, D13/133, 146
CPC G08C 17/00; H02J 7/0052; H02J 5/005; H03K 5/003; H04B 1/04
See application file for complete search history.

(56) **References Cited**

U.S. PATENT DOCUMENTS

6,804,749 B2 * 10/2004 Chien G06F 13/4045
361/752
D531,579 S * 11/2006 Peng D13/147

(Continued)

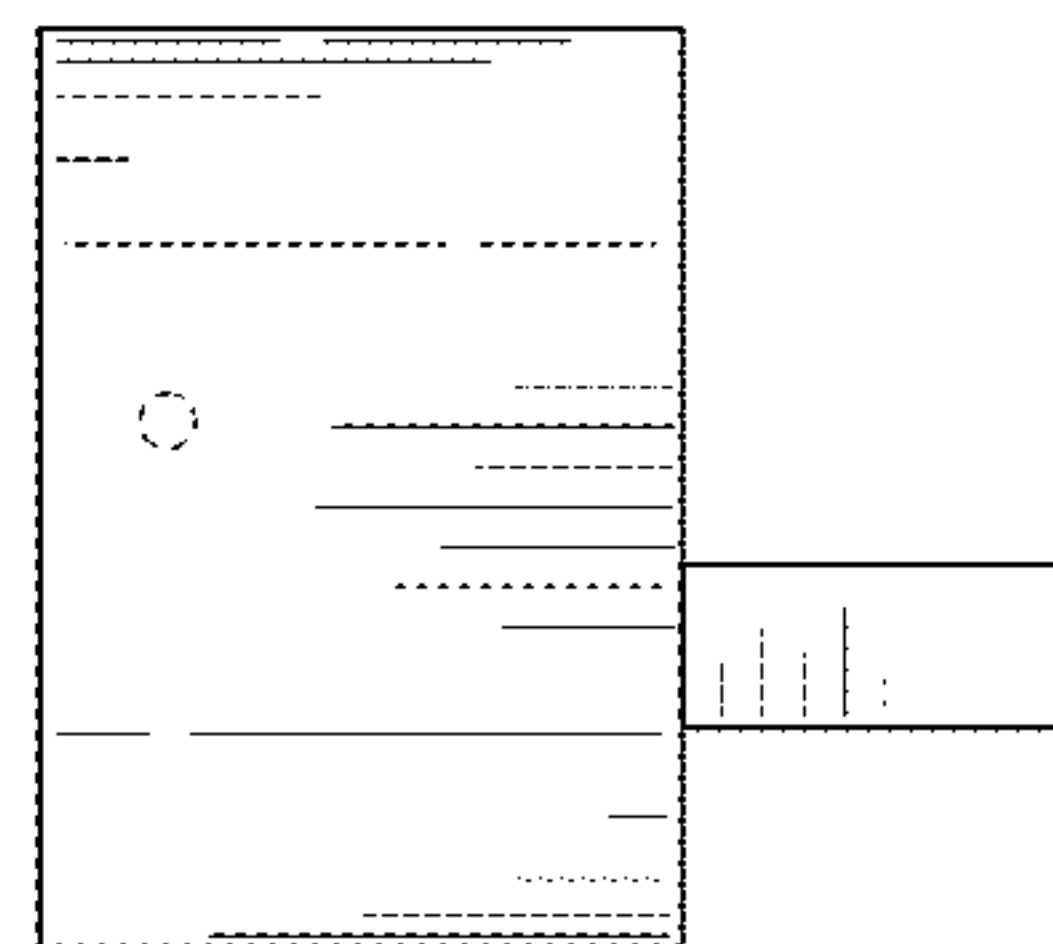
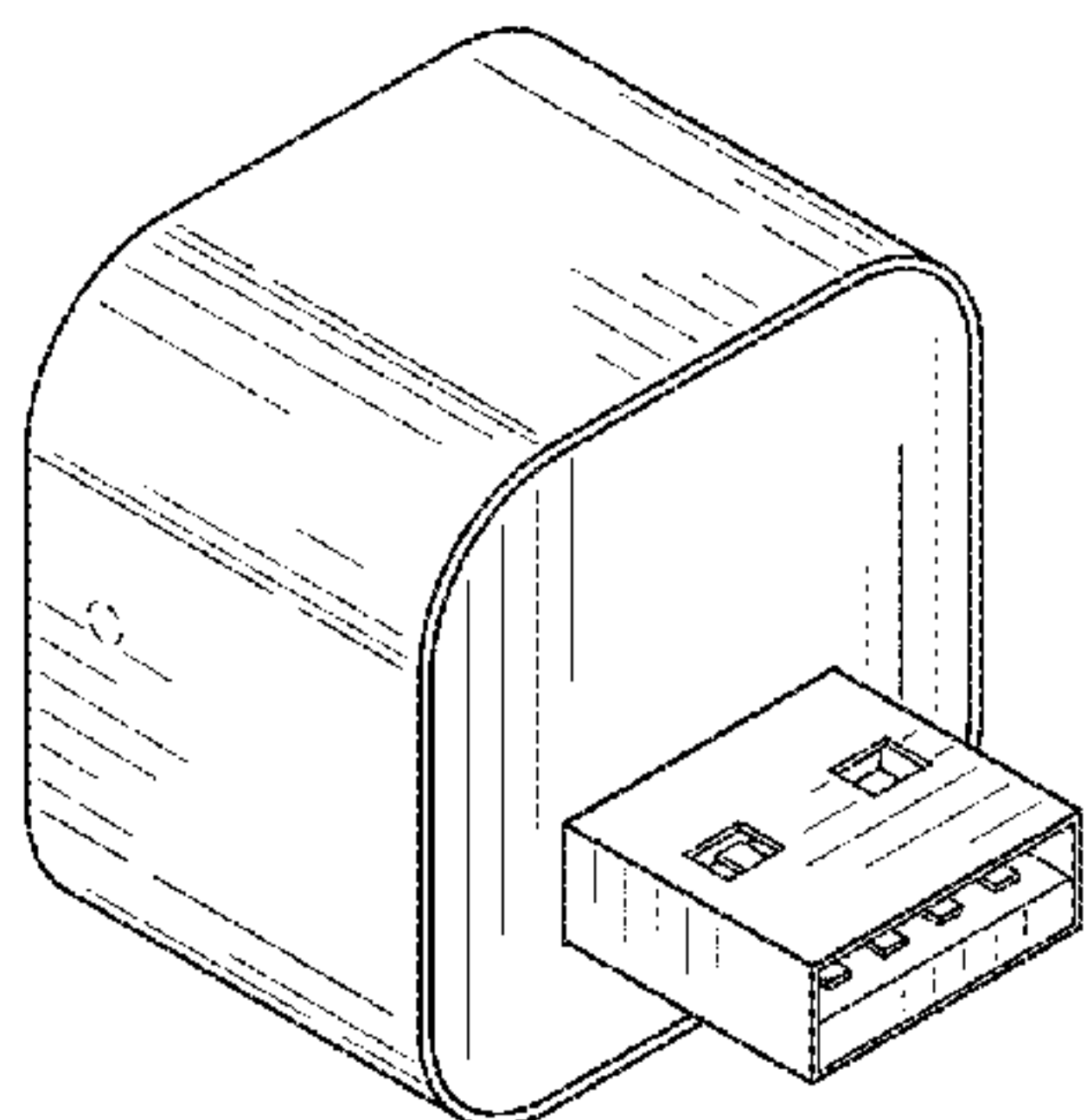
OTHER PUBLICATIONS

Apple.com, print out of <http://store.apple.com/us/poduc/MD810LL/A/apple-5w-usb-power-adaper>, 2014.

(Continued)

Primary Examiner — Austin Murphy

1 Claim, 6 Drawing Sheets



(56)

References Cited

U.S. PATENT DOCUMENTS

D595,223 S * 6/2009 Yamamoto D13/108
D624,548 S * 9/2010 Yamamoto D14/433
D627,784 S * 11/2010 Yamamoto D14/433
D643,807 S * 8/2011 Jiang D13/103
D649,970 S * 12/2011 Lyford D13/133
D664,093 S * 7/2012 Andre D13/138.1
D683,314 S * 5/2013 Andre D13/108
D704,578 S * 5/2014 Chen D10/70
D707,680 S * 6/2014 Akana D14/433
D714,293 S * 9/2014 Kelly D14/433

D729,160 S * 5/2015 Levy D13/110
D731,489 S * 6/2015 Langhammer D14/433
2007/0229025 A1* 10/2007 Tsai H01R 13/2442
320/111

OTHER PUBLICATIONS

Ebay.com print out of [http://www.ebay.com/itm/New-OEM-Authentic-Apple-Wall-Charger-USB-Power-Adapter-for iPhone-4-4S-5-5C-5S-/191117957581?pt=US_Cell_Phone_PDA_Chargers&hash=item2c7f8499cd](http://www.ebay.com/itm/New-OEM-Authentic-Apple-Wall-Charger-USB-Power-Adapter-for-iPhone-4-4S-5-5C-5S-/191117957581?pt=US_Cell_Phone_PDA_Chargers&hash=item2c7f8499cd). 1995-2014.
Szapphone.com, print out of http://www.szapphone.com/show_product.asp?id=122&subtitie=Apple, 2012.

* cited by examiner

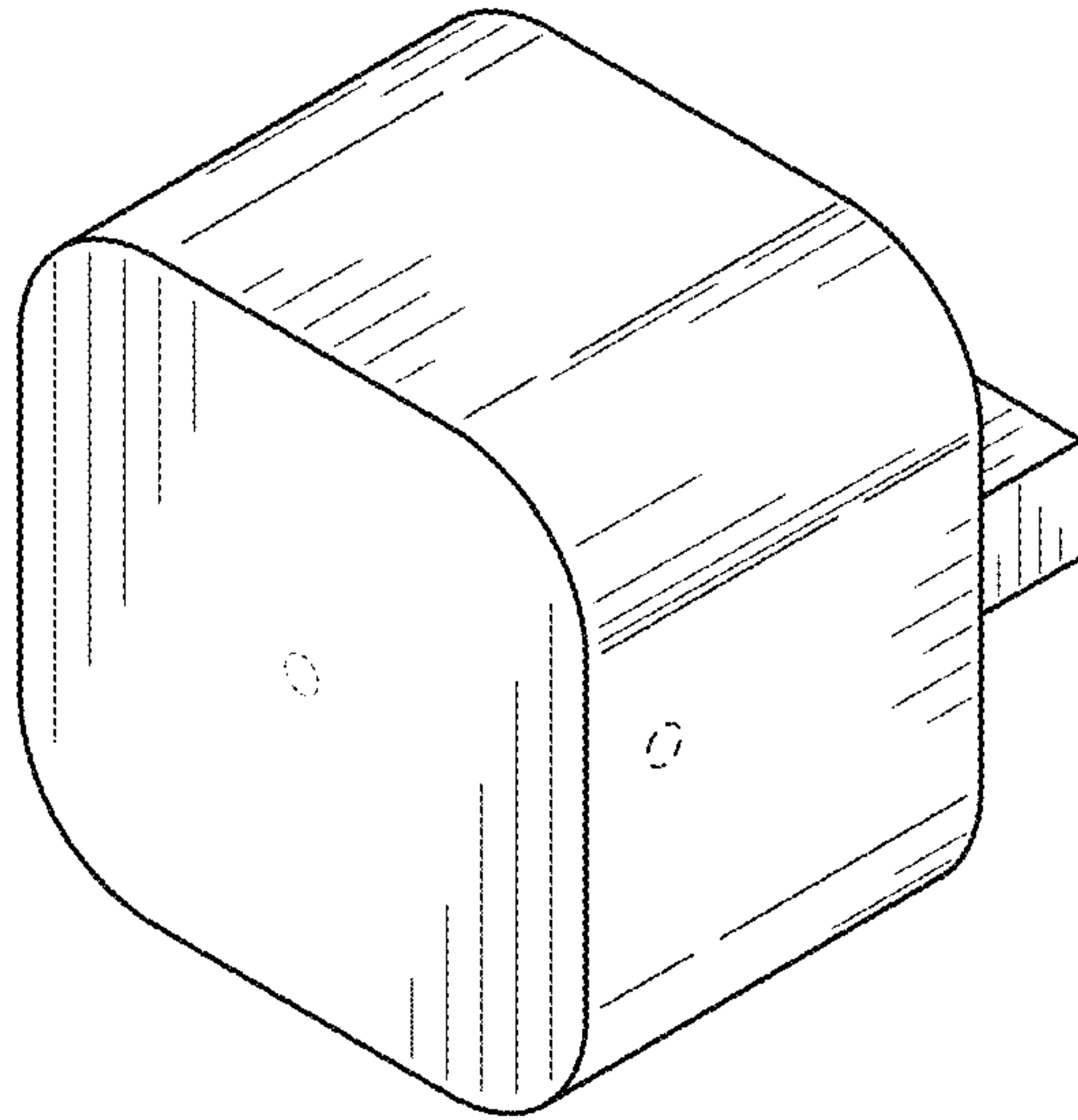


FIG. 1

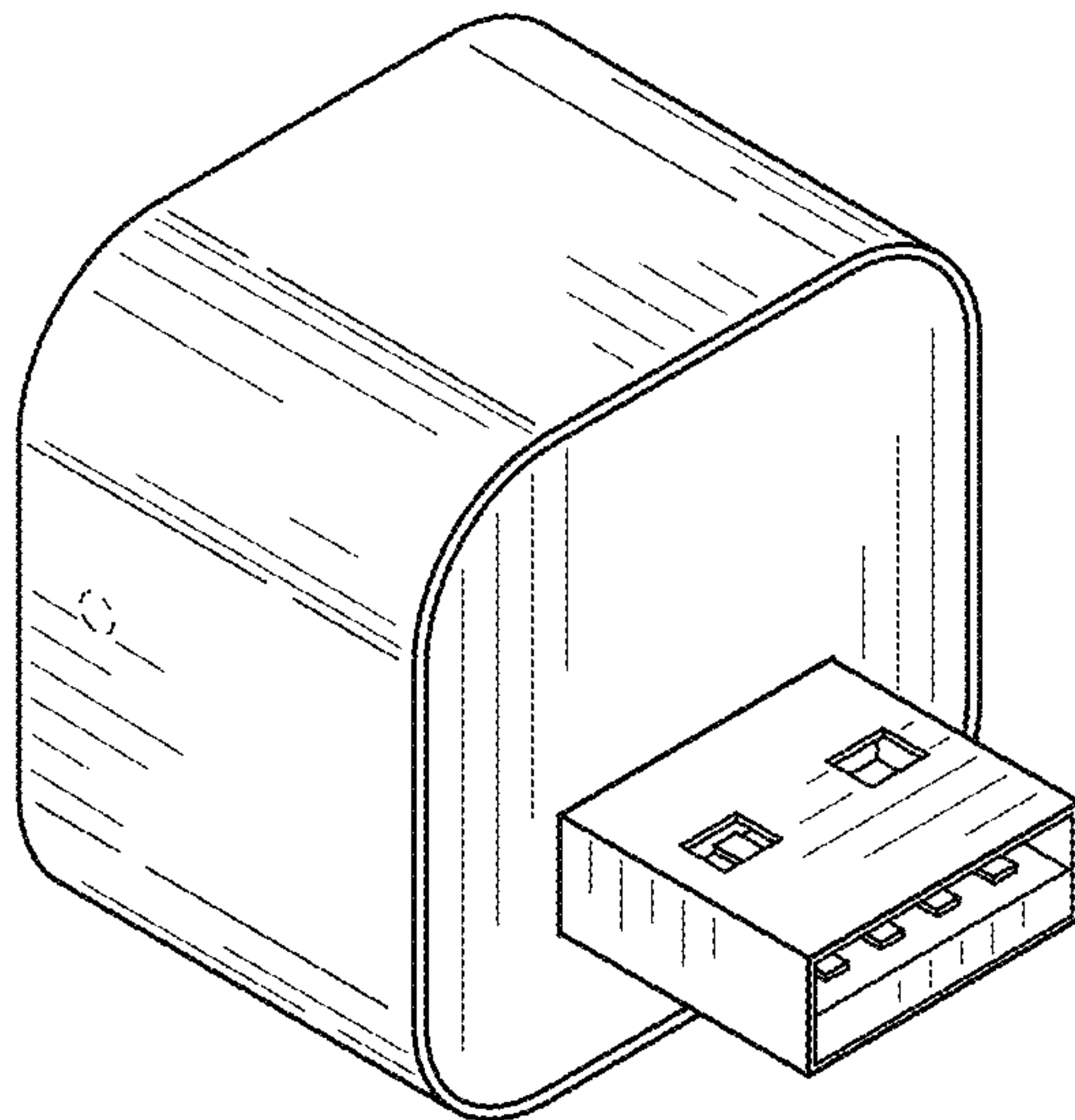


FIG. 2

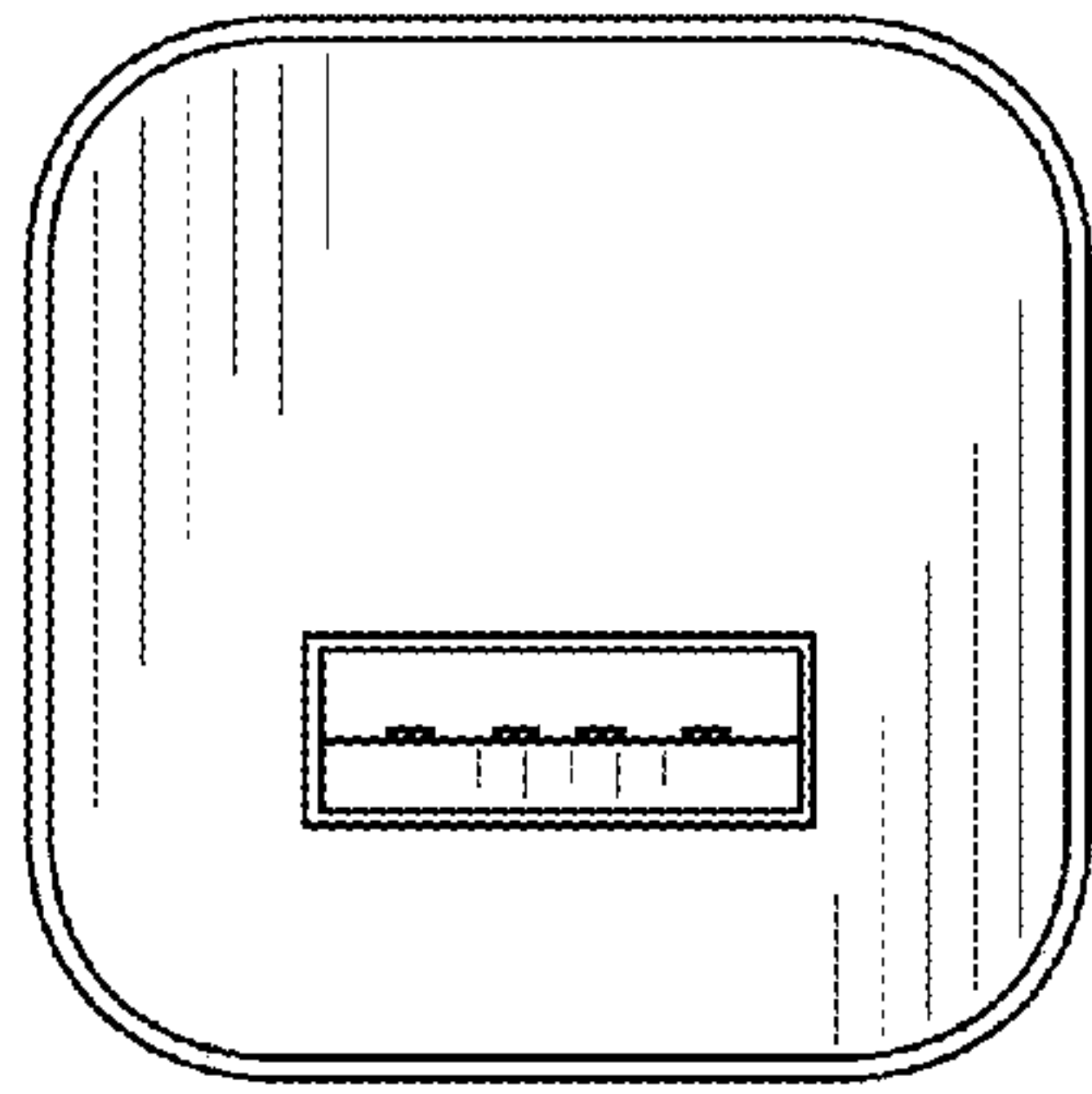


FIG. 3

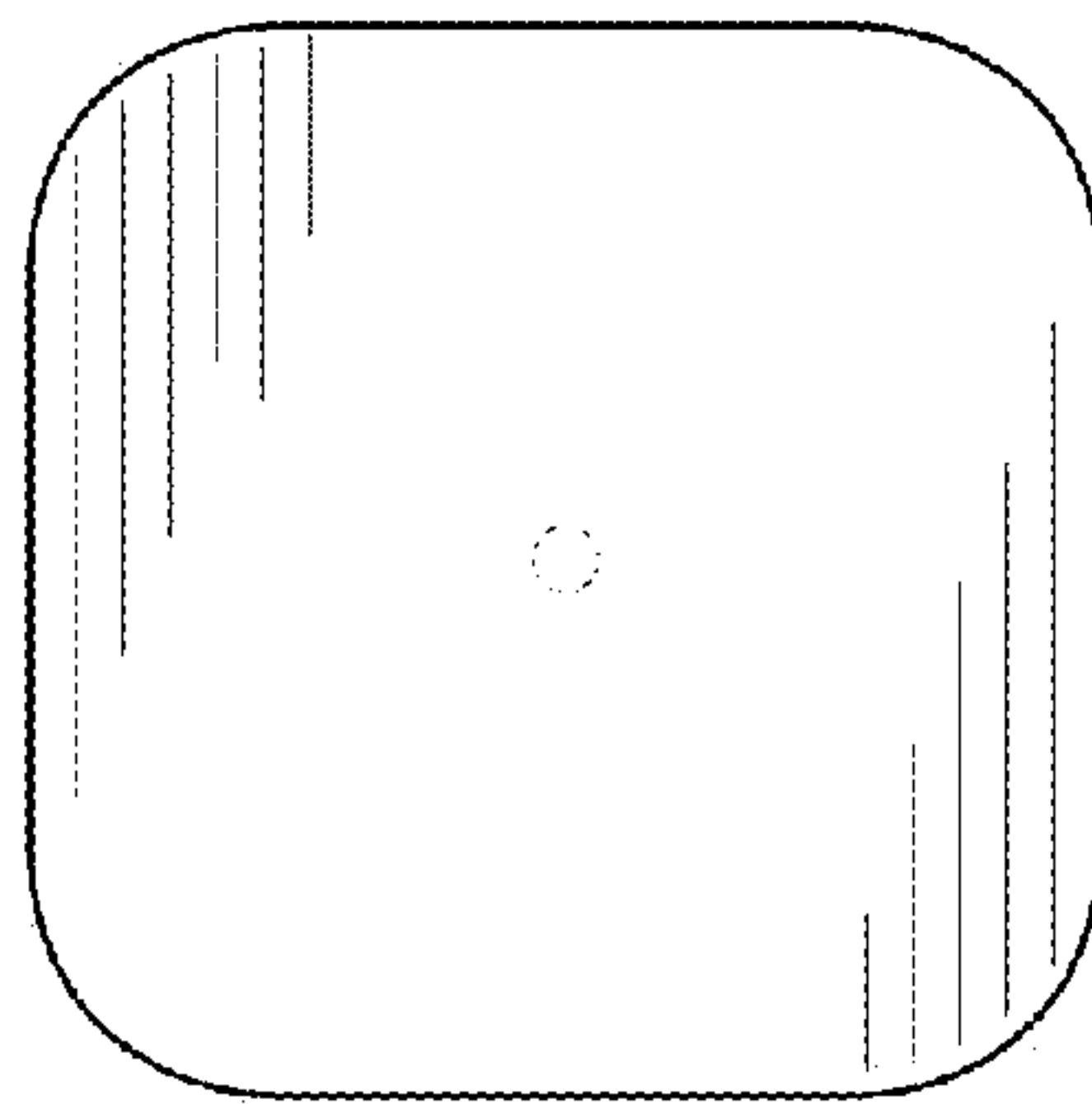


FIG. 4

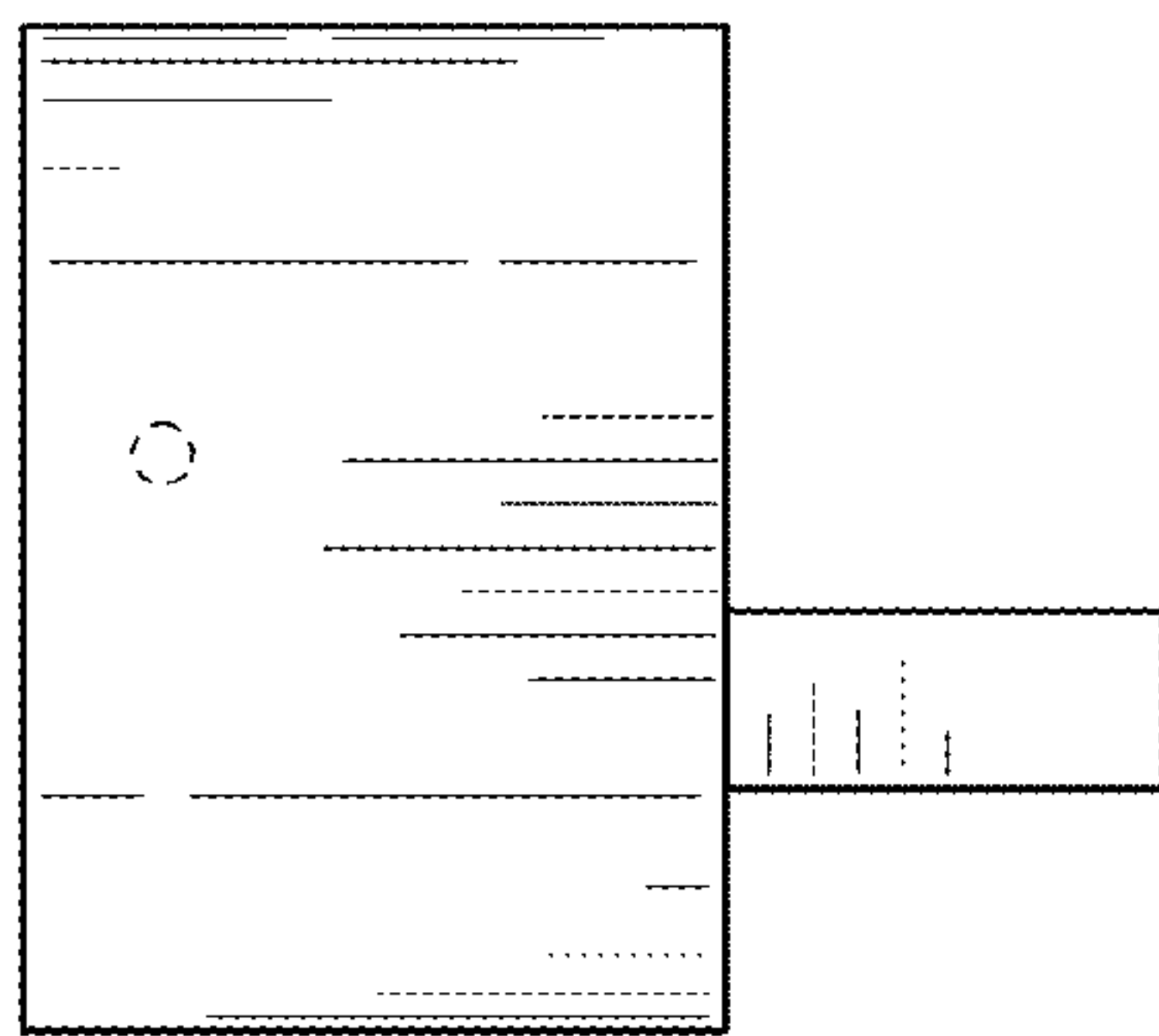


FIG. 5

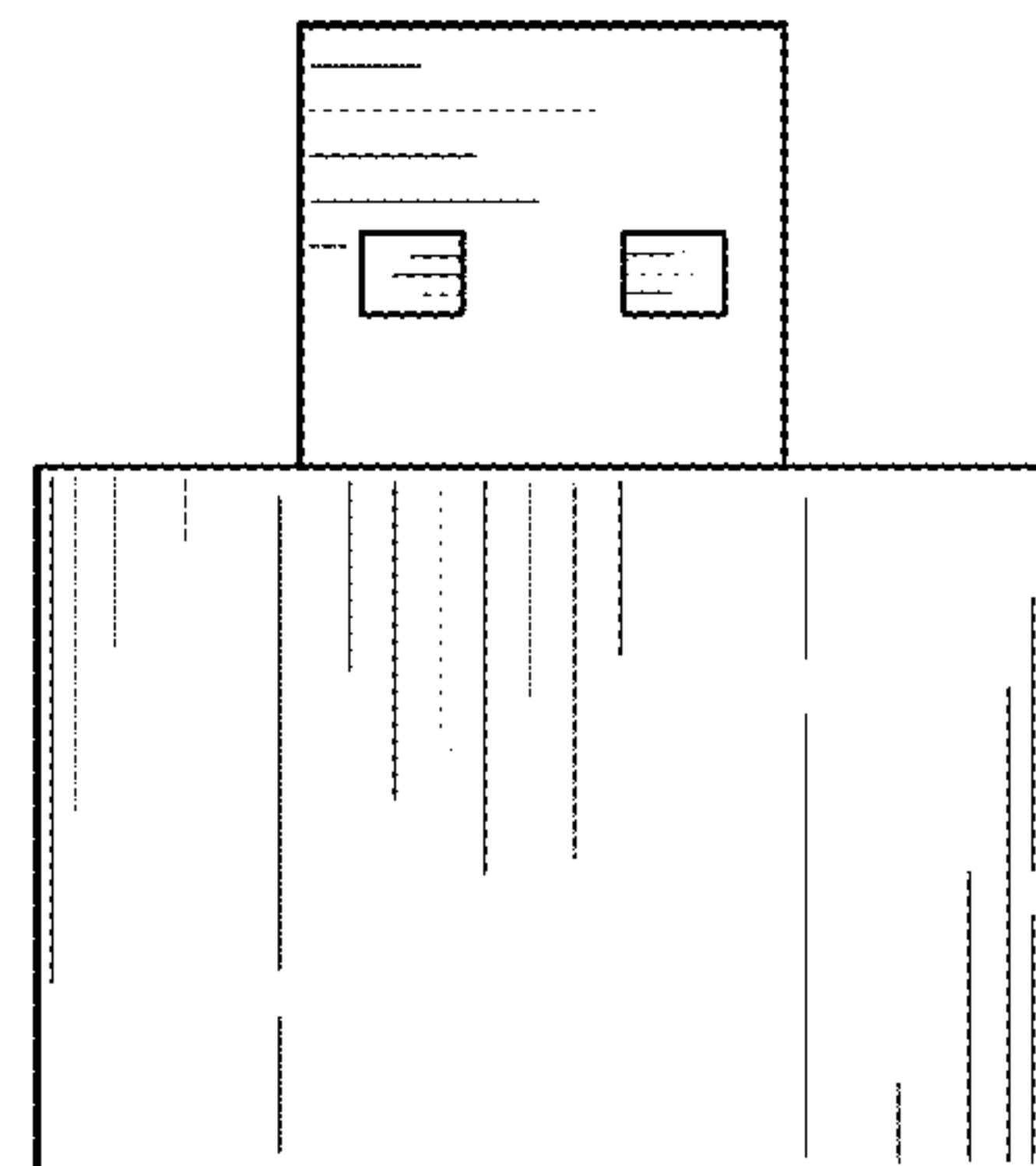


FIG. 6

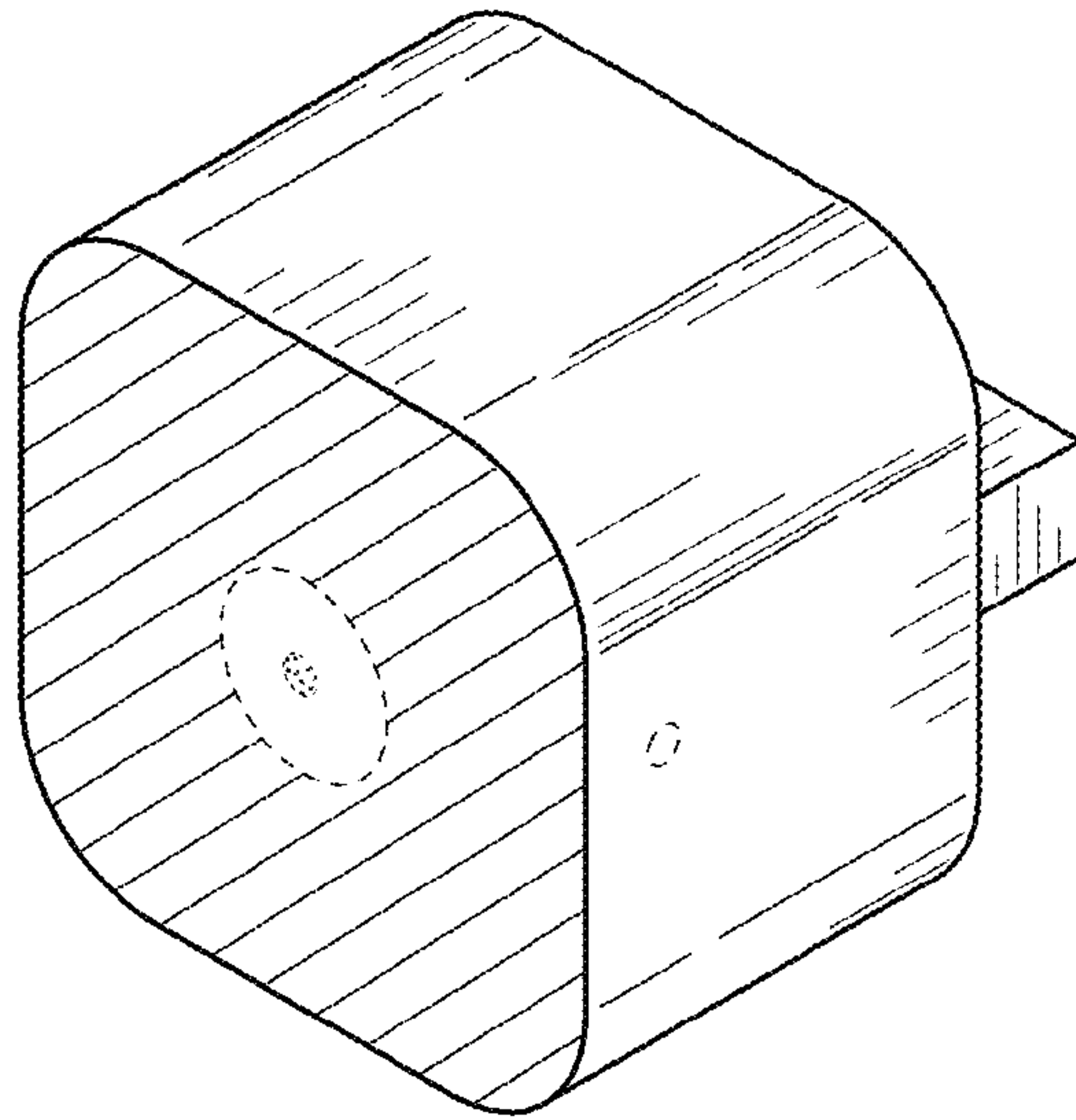


FIG. 7

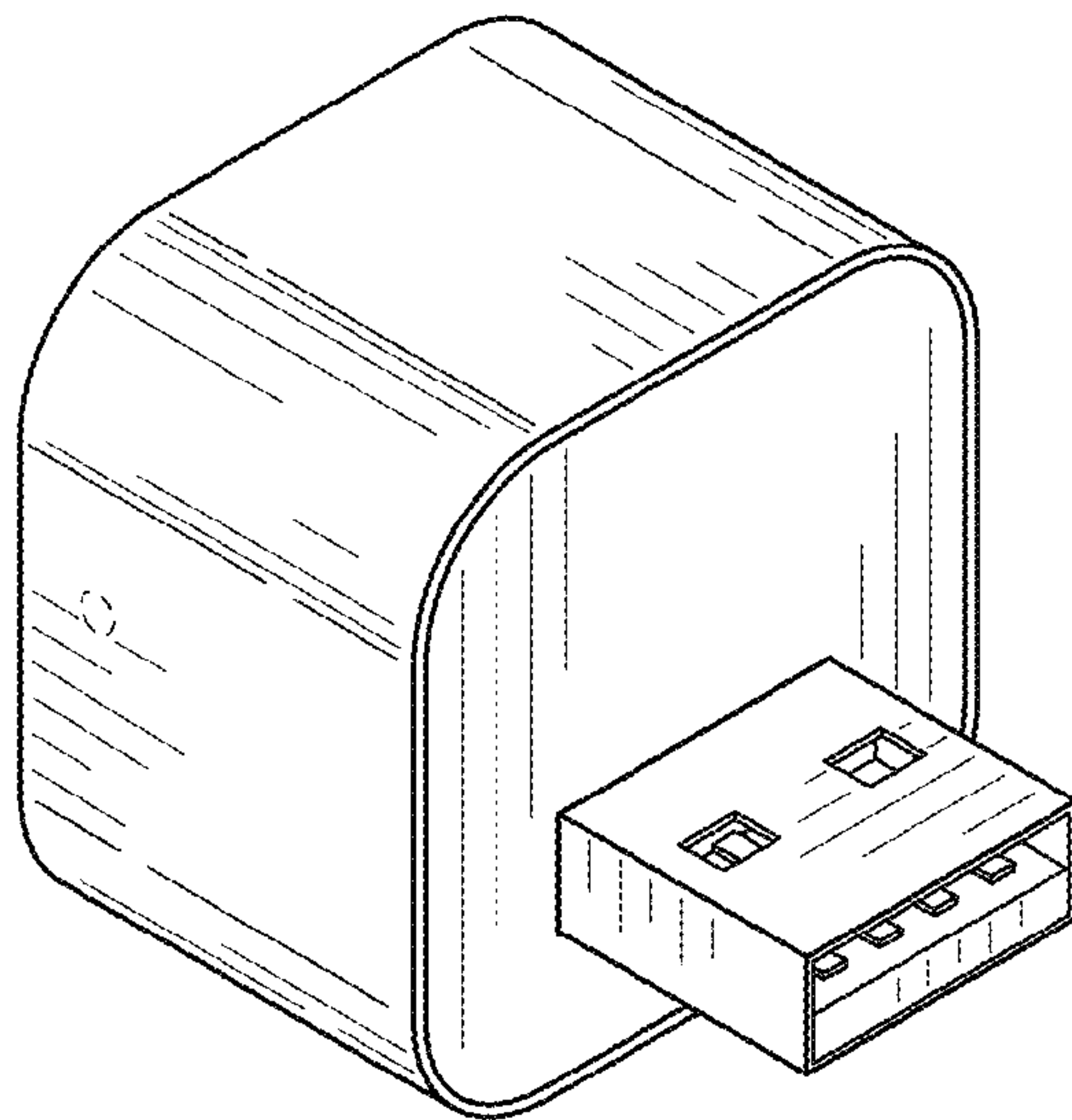


FIG. 8

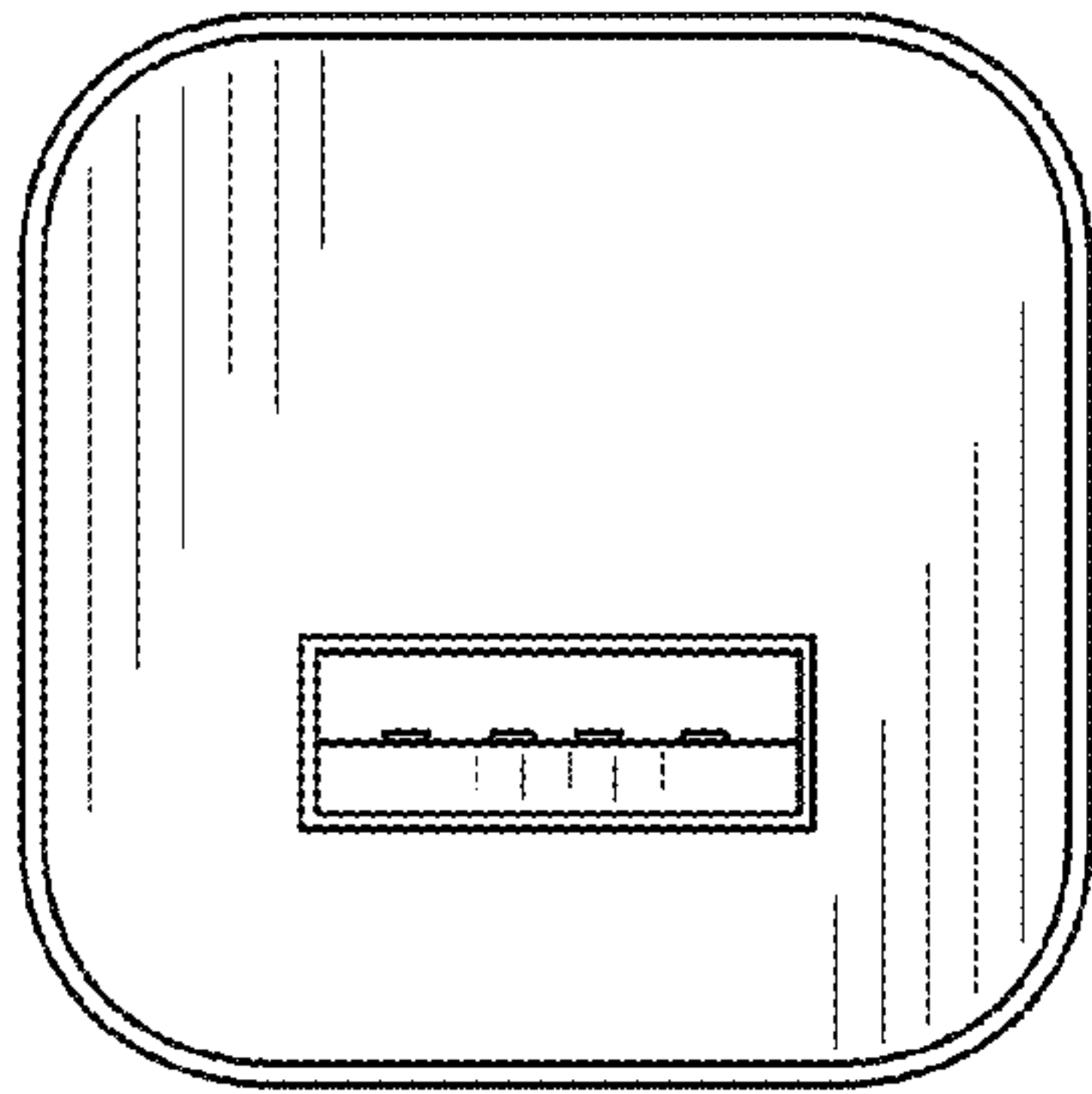


FIG. 9

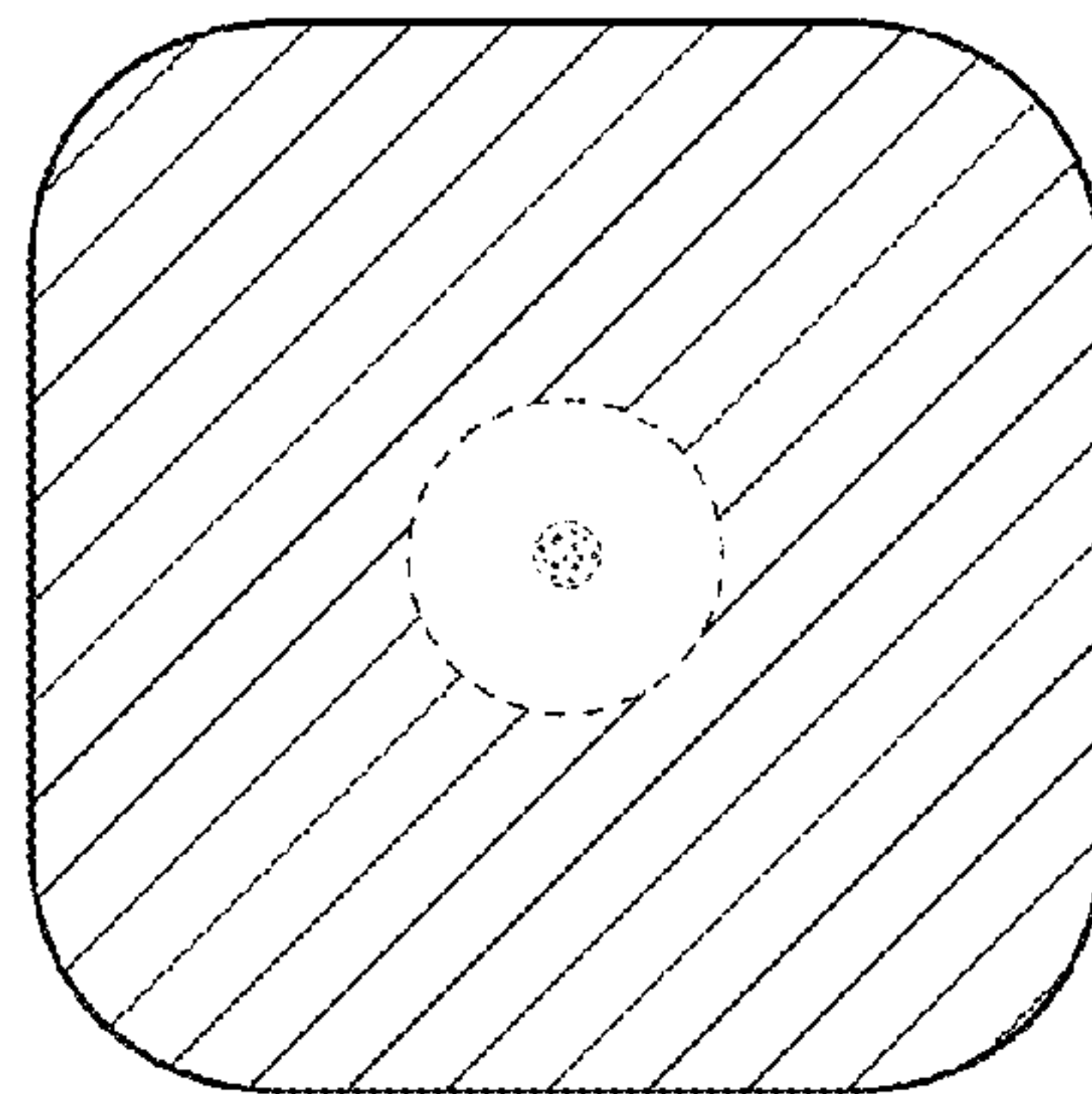


FIG. 10



FIG. 11

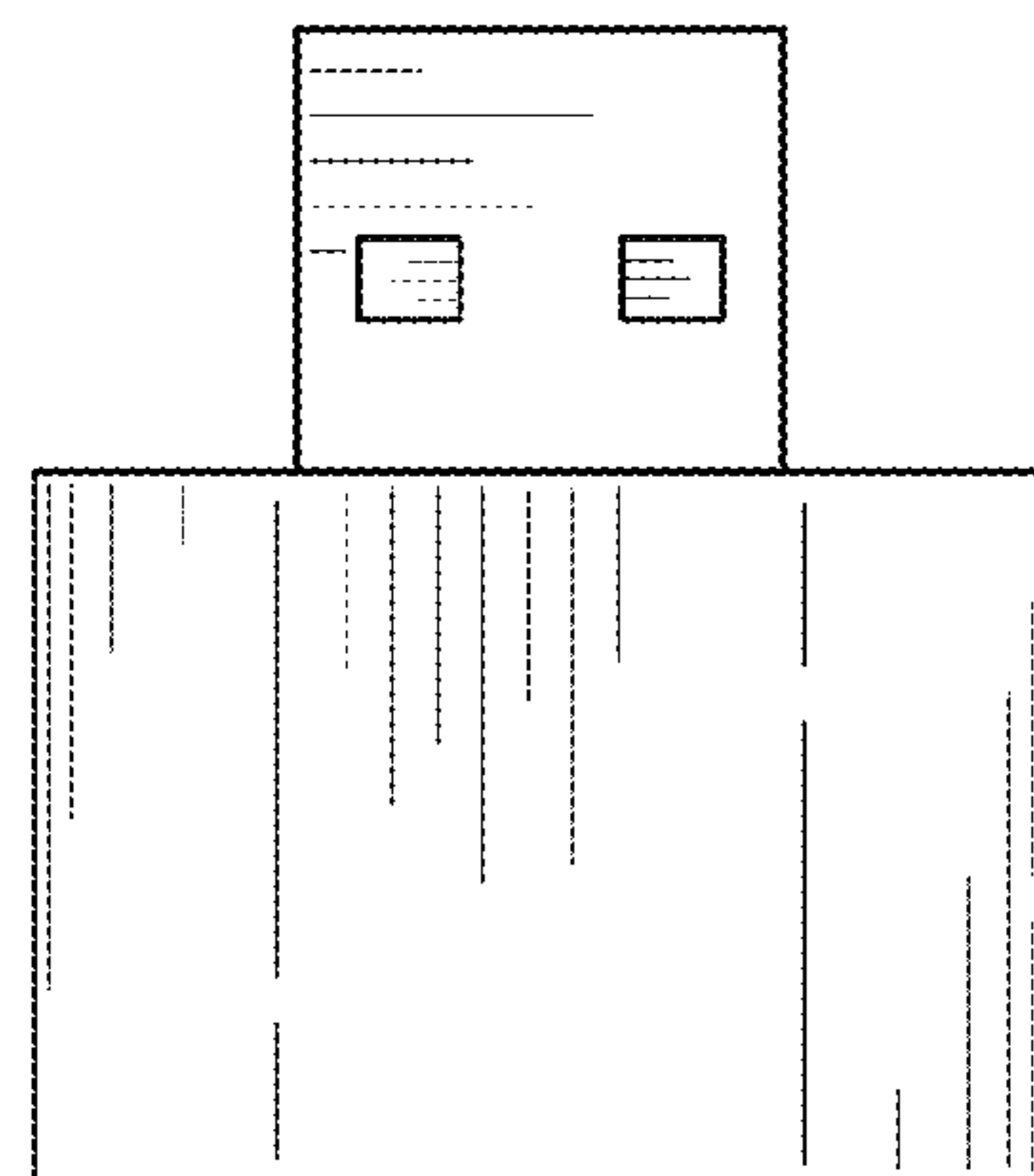


FIG. 12

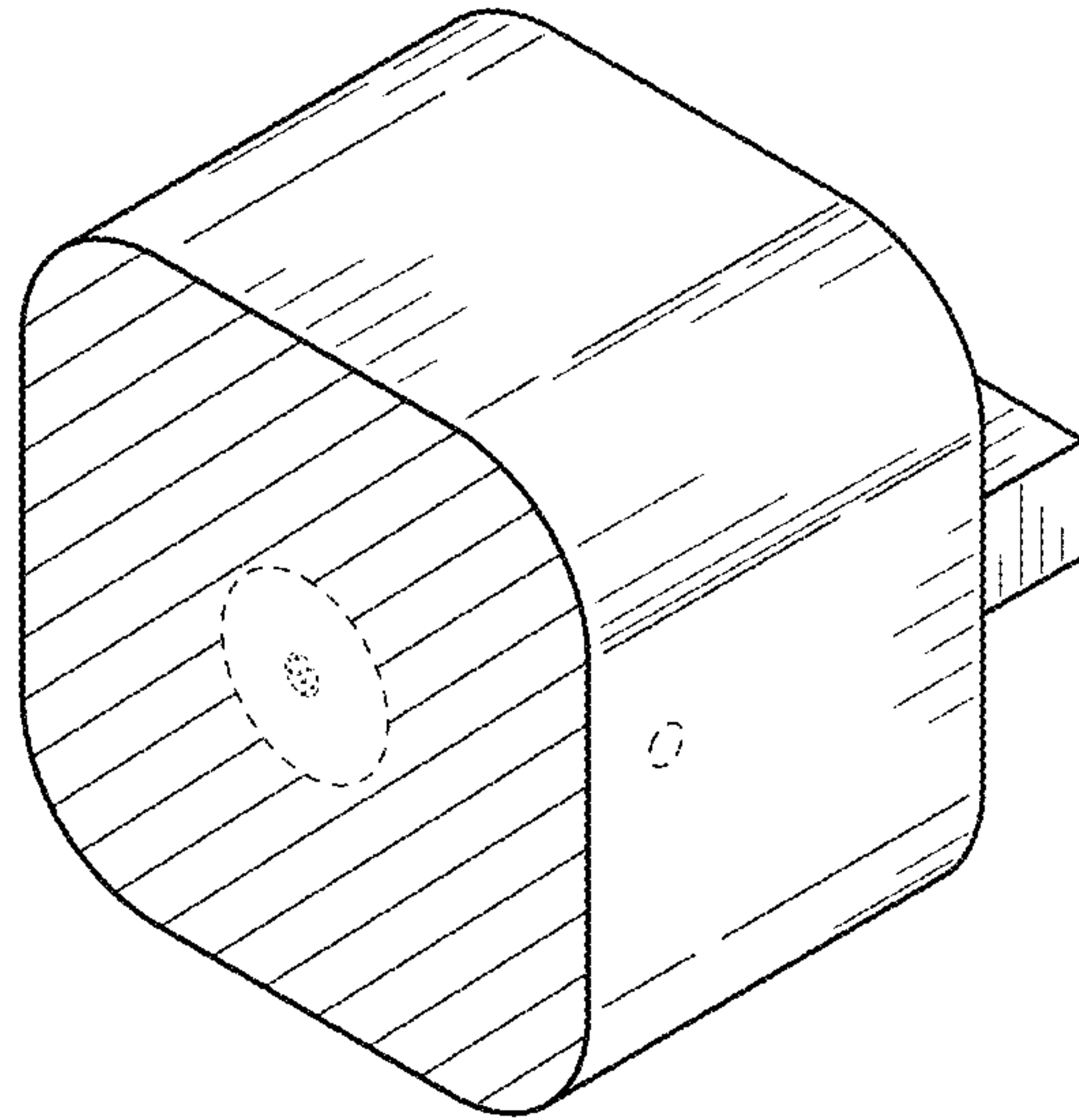


FIG. 13

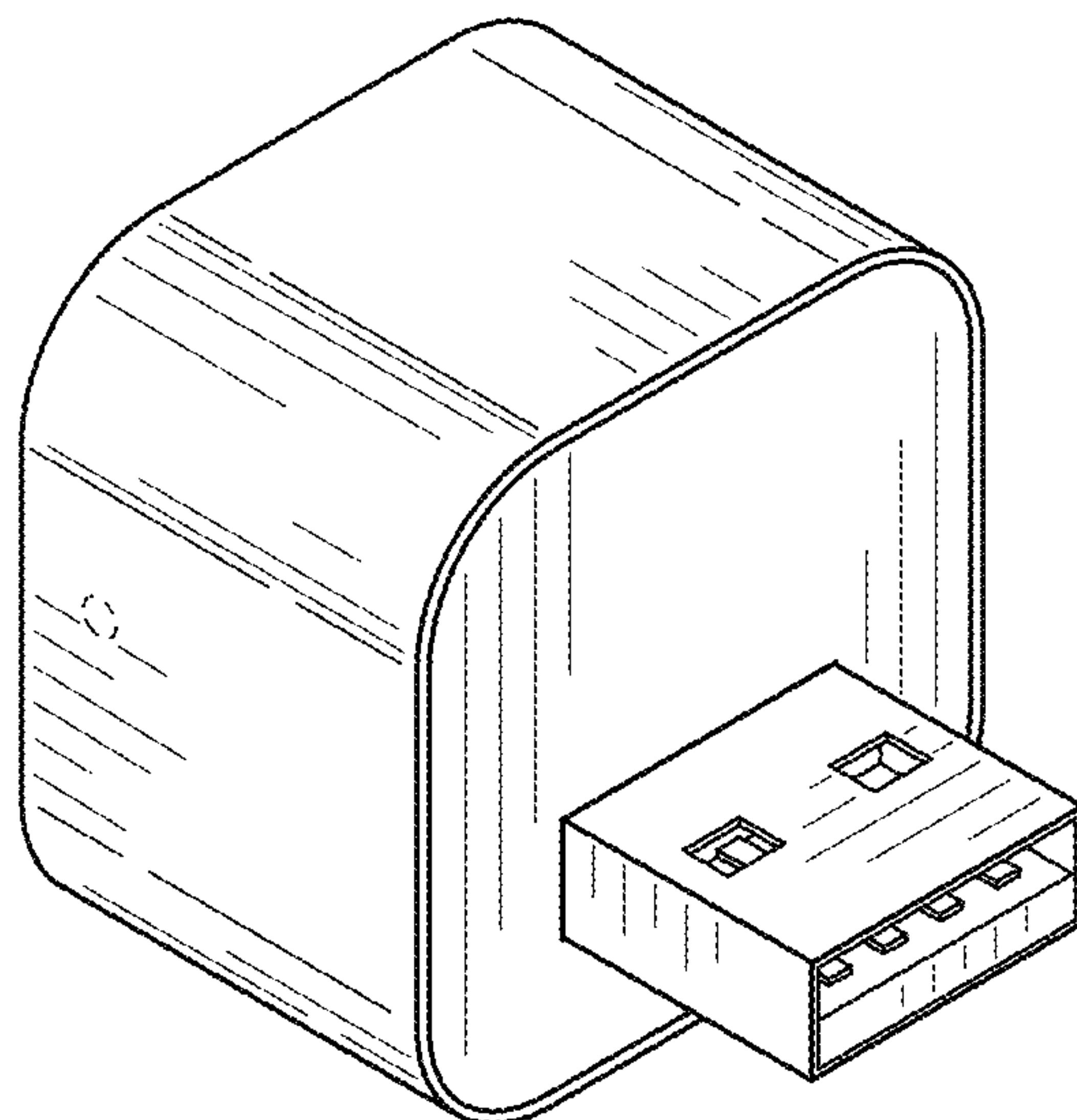


FIG. 14

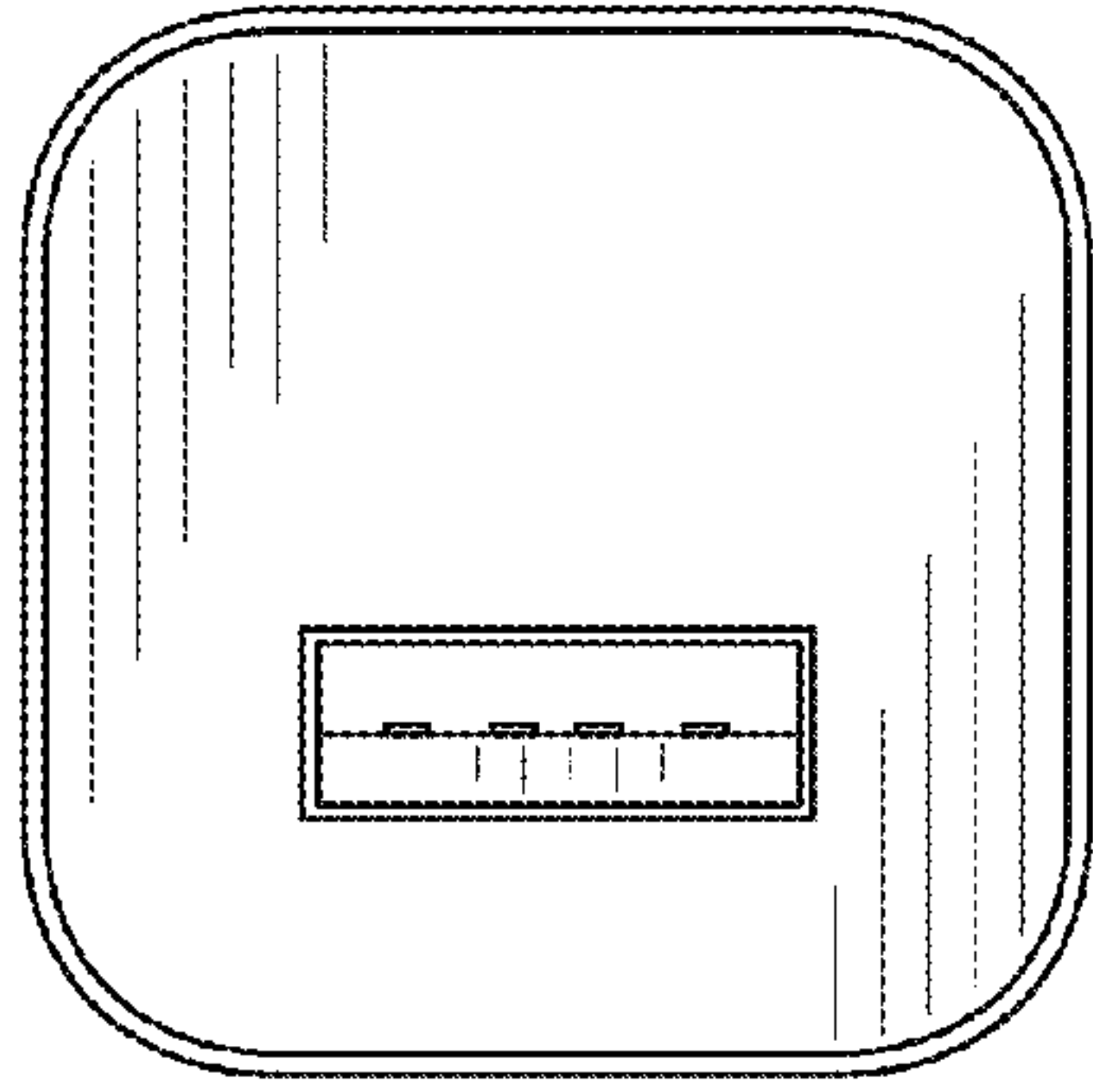


FIG. 15

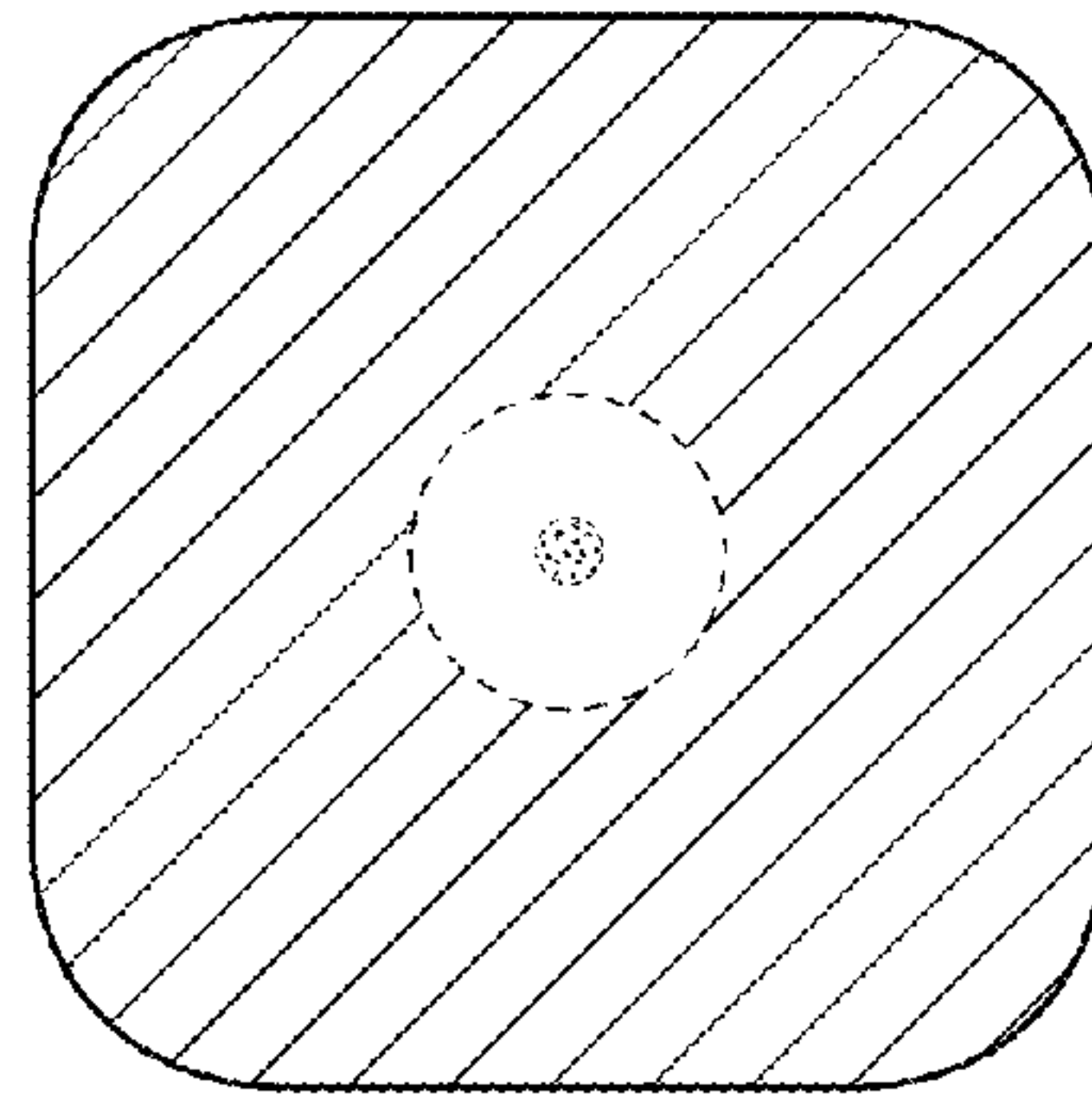


FIG. 16

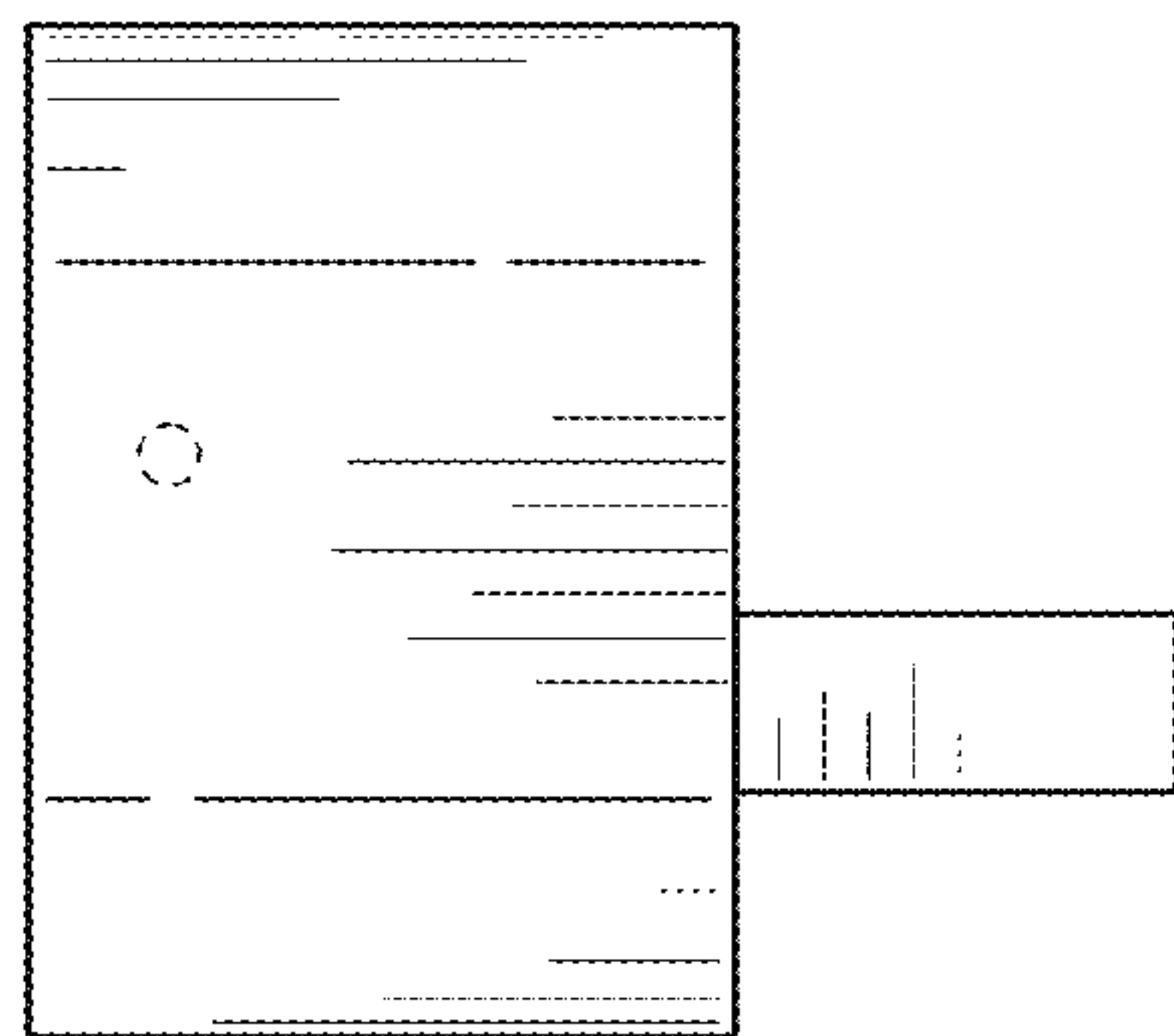


FIG. 17

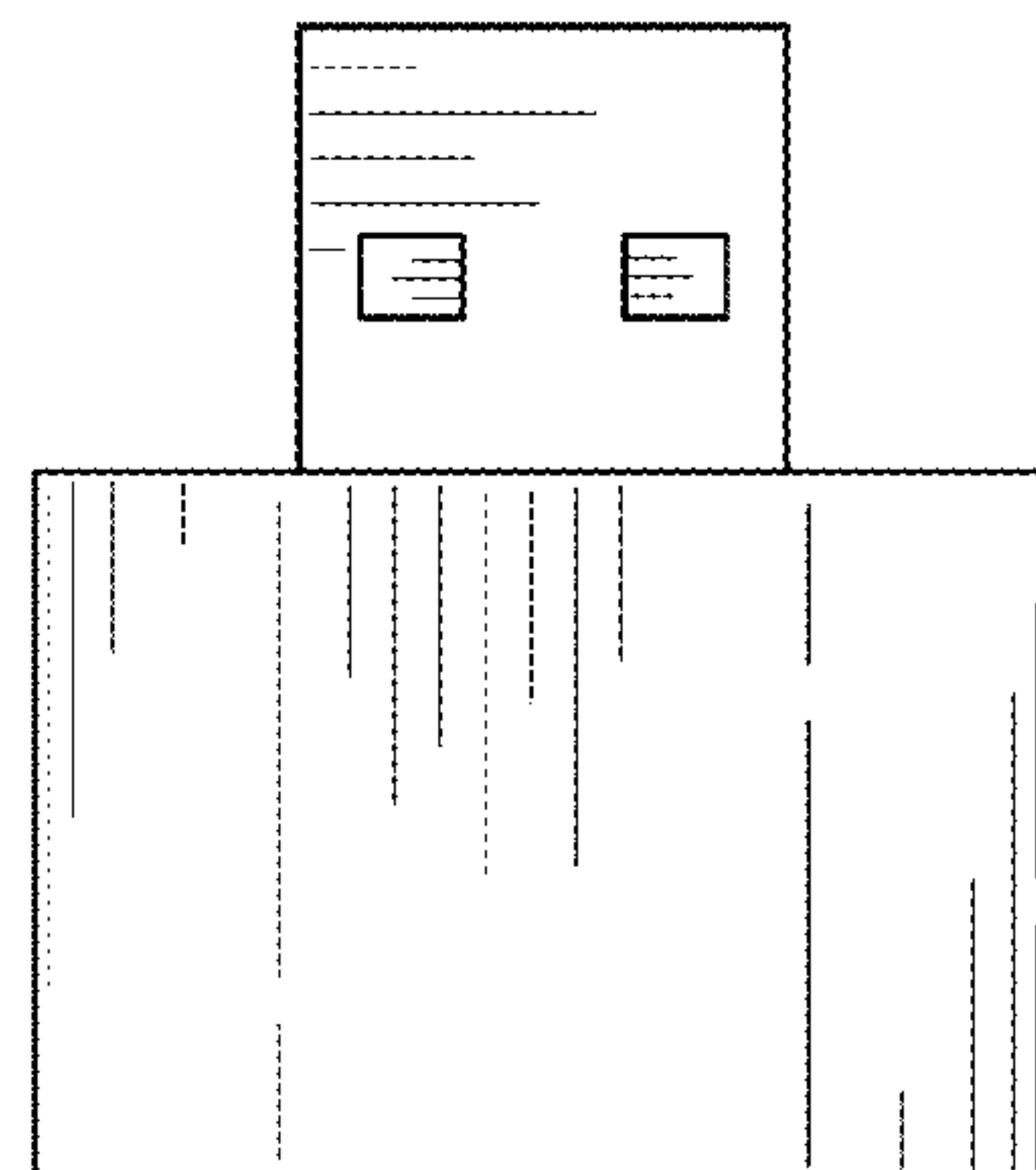


FIG. 18