



US00D765080S

(12) **United States Design Patent** (10) **Patent No.:** **US D765,080 S**
Su et al. (45) **Date of Patent:** **** Aug. 30, 2016**

(54) **IMAGING DEVICE**
(71) Applicant: **HEWLETT-PACKARD DEVELOPMENT COMPANY, L.P.**,
Houston, TX (US)
(72) Inventors: **Nick Su**, Singapore (SG); **Jasmine Lay Peng Lim**, Singpaore (SG); **Zhi-Hui Shaun Chen**, Singapore (SG); **Jaewan Park**, Singapore (SG)
(73) Assignee: **HEWLETT-PACKARD DEVELOPMENT COMPANY, L.P.**,
Houston, TX (US)
(**) Term: **15 Years**
(21) Appl. No.: **29/528,558**
(22) Filed: **May 29, 2015**
(51) **LOC (10) Cl.** **14-02**
(52) **U.S. Cl.**
USPC **D14/421**; D18/50; D18/53
(58) **Field of Classification Search**
USPC D14/421-425; D18/55, 49, 46, 40,
D18/36-39, 41, 44, 45, 47, 48, 50-54, 56;
235/462, 455, 470, 462.43, 482, 483;
358/474, 486, 488, 496, 497, 498, 452,
358/449, 451, 453, 1.13; 318/685, 696;
355/81, 75; 399/405, 367, 379, 380;
382/217; 715/209, 222, 226, 274;
400/613, 613.1-613.4, 690.1-690.4,
400/691-694
CPC H04N 1/00; H04N 1/12; H04N 1/00013;
H04N 1/00015; H04N 1/00018; H04N
1/00026; H04N 1/00557; H04N 1/00564;
H04N 1/00567; H04N 1/0057; H04N
1/00572; H04N 1/00586; H04N 1/00588;
H04N 1/00591; H04N 1/00594; H04N
1/00596; H04N 1/00604; H04N 1/00519;
H04N 1/00559; H04N 1/101; H04N 1/10;
H04N 1/00551; H04N 1/00278; H04N
2201/0456; H04N 2201/0446; H04N
2201/00; H04N 2201/0094; G03G 15/0142;
G03G 15/605; G03G 15/602; B65H 5/26;
B65H 5/30; B65H 5/36; B65H 7/00; B65H
2402/515; B65H 2402/31; B65H 2511/20;

B65H 2511/414; B65H 2513/42; B65H
2801/31; B65H 2215/00189; B65H
2215/00194; B65H 2215/00198; B65H
2215/00202; B65H 2215/00206; B65H
2215/20; B65H 2301/00; B65H 2220/04;
B65H 3/5261

See application file for complete search history.

(56) **References Cited**

U.S. PATENT DOCUMENTS

D374,457 S * 10/1996 Naruki D18/49
D384,693 S * 10/1997 Kenmochi D18/49

(Continued)

Primary Examiner — Susan Moon Lee
(74) *Attorney, Agent, or Firm* — Morgan, Lewis & Bockius
LLP

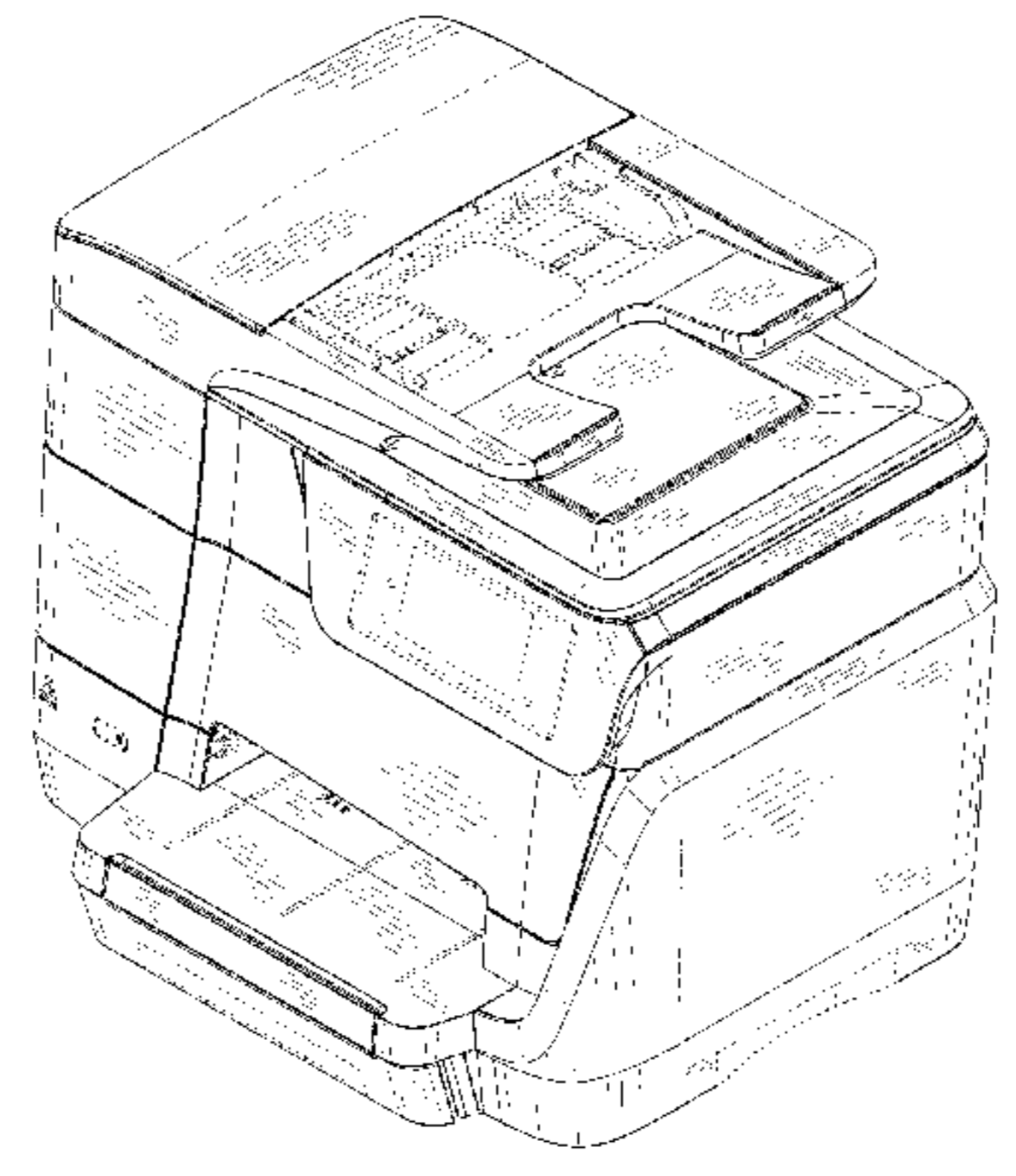
(57) **CLAIM**

he ornamental design for an imaging device, as shown and described.

DESCRIPTION

FIG. 1 is a front left perspective view of an imaging device in accordance with our new design;
FIG. 2 is a front right perspective view of the imaging device shown in FIG. 1;
FIG. 3 is a rear right perspective view of the imaging device shown in FIG. 1;
FIG. 4 is a rear left perspective view of the imaging device shown in FIG. 1;
FIG. 5 is a front elevational view of the imaging device shown in FIG. 1;
FIG. 6 is a rear elevational view of the imaging device shown in FIG. 1;
FIG. 7 is a left-side elevational view of the imaging device shown in FIG. 1;
FIG. 8 is a right-side elevational view of the imaging device shown in FIG. 1;
FIG. 9 is a top plan view of the imaging device shown in FIG. 1; and,
FIG. 10 is a bottom plan view of the imaging device shown in FIG. 1.
Broken lines and unshaded portions contained within broken lines depict portions of the imaging device that form no part of the claimed design.

1 Claim, 10 Drawing Sheets



(56)

References Cited

U.S. PATENT DOCUMENTS

D436,122 S * 1/2001 Isomoto D18/49
 D446,806 S * 8/2001 Imai D18/36
 6,898,395 B2 * 5/2005 Mui G03G 15/6541
 399/107
 D532,450 S * 11/2006 Smith D18/55
 D533,218 S * 12/2006 Gant D18/55
 D545,357 S * 6/2007 Hattori D18/55
 D555,194 S * 11/2007 Smith D18/55
 D558,824 S * 1/2008 Alfonso D18/55
 D559,897 S * 1/2008 Suzuki D18/49
 D559,898 S * 1/2008 Suzuki D18/49
 D561,250 S * 2/2008 Smith D18/55
 D564,018 S * 3/2008 Ishii D18/49
 D574,886 S * 8/2008 Mase D18/55
 D578,566 S * 10/2008 Hattori D18/50
 D579,042 S * 10/2008 Hattori D18/50
 D579,973 S * 11/2008 Park D14/421
 D586,384 S * 2/2009 Yamaguchi D18/55
 D596,227 S * 7/2009 Larson D18/55
 D607,505 S * 1/2010 Sasaki D14/421
 D609,741 S * 2/2010 Tani D18/55
 D619,646 S * 7/2010 Brown D18/49
 D622,272 S * 8/2010 Machida D14/421
 D622,762 S * 8/2010 Egami D18/55
 D626,588 S * 11/2010 Kim D18/39
 D639,851 S * 6/2011 Penke D18/55
 D642,212 S * 7/2011 Terenzio D18/55
 8,379,278 B2 * 2/2013 Kawai H04N 1/00519
 271/278
 D680,162 S * 4/2013 Goh D14/421
 D680,163 S * 4/2013 Lim D18/36
 D685,411 S * 7/2013 Tanaka D18/49
 D685,414 S * 7/2013 Jeong D18/53

8,542,416 B2 * 9/2013 Takeuchi H04N 1/0057
 271/3.01
 D692,477 S * 10/2013 Kim D18/53
 D702,760 S * 4/2014 Kim D18/55
 D705,781 S * 5/2014 Yin D14/421
 D718,313 S * 11/2014 Goh D14/421
 D718,383 S * 11/2014 Lo D18/55
 D720,754 S * 1/2015 Chin D14/422
 D724,140 S * 3/2015 Nishimura D18/50
 D727,417 S * 4/2015 Huang D18/55
 D745,871 S * 12/2015 Kim D14/421
 D752,134 S * 3/2016 Uchikawa D18/36
 D752,135 S * 3/2016 Uchikawa D18/39
 2002/0008347 A1 * 1/2002 Takida B65H 5/00
 271/3.14
 2005/0254869 A1 * 11/2005 Yamada G03G 15/605
 399/361
 2006/0076729 A1 * 4/2006 Kozaki B65H 29/60
 271/9.11
 2010/0078872 A1 * 4/2010 Asada B65H 5/38
 271/10.12
 2010/0245947 A1 * 9/2010 Takeuchi H04N 1/00525
 358/498
 2011/0211237 A1 * 9/2011 Osakabe H04N 1/00681
 358/498
 2014/0355084 A1 * 12/2014 Inada H04N 1/00554
 358/498
 2014/0368895 A1 * 12/2014 Teramoto H04N 1/00824
 358/498
 2015/0055200 A1 * 2/2015 Hama H04N 1/00
 358/498
 2015/0172501 A1 * 6/2015 Wilsher H04N 1/1039
 358/498
 2015/0186760 A1 * 7/2015 Albrecht H04N 1/0032
 358/498

* cited by examiner

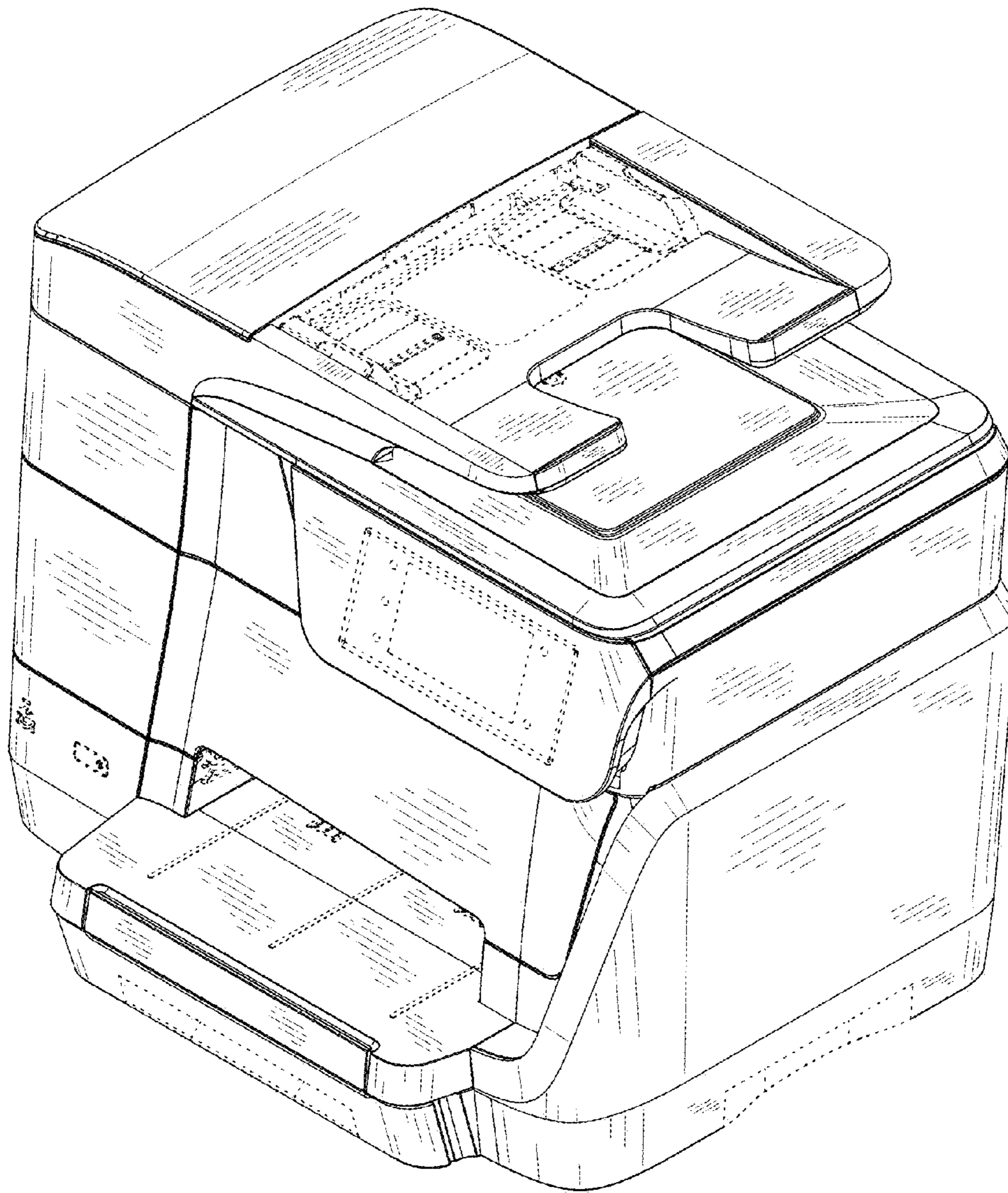


FIG. 1

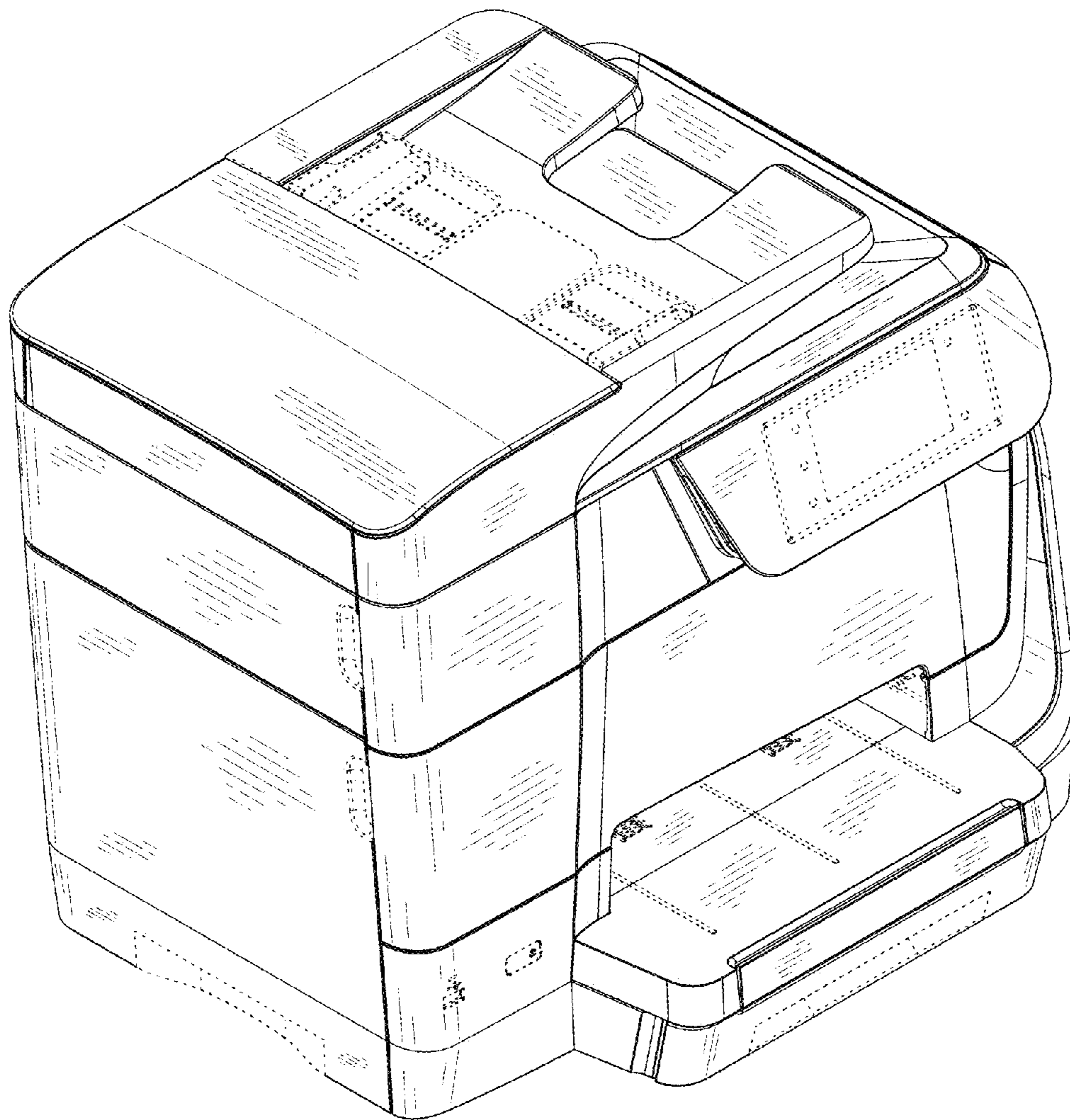


FIG. 2

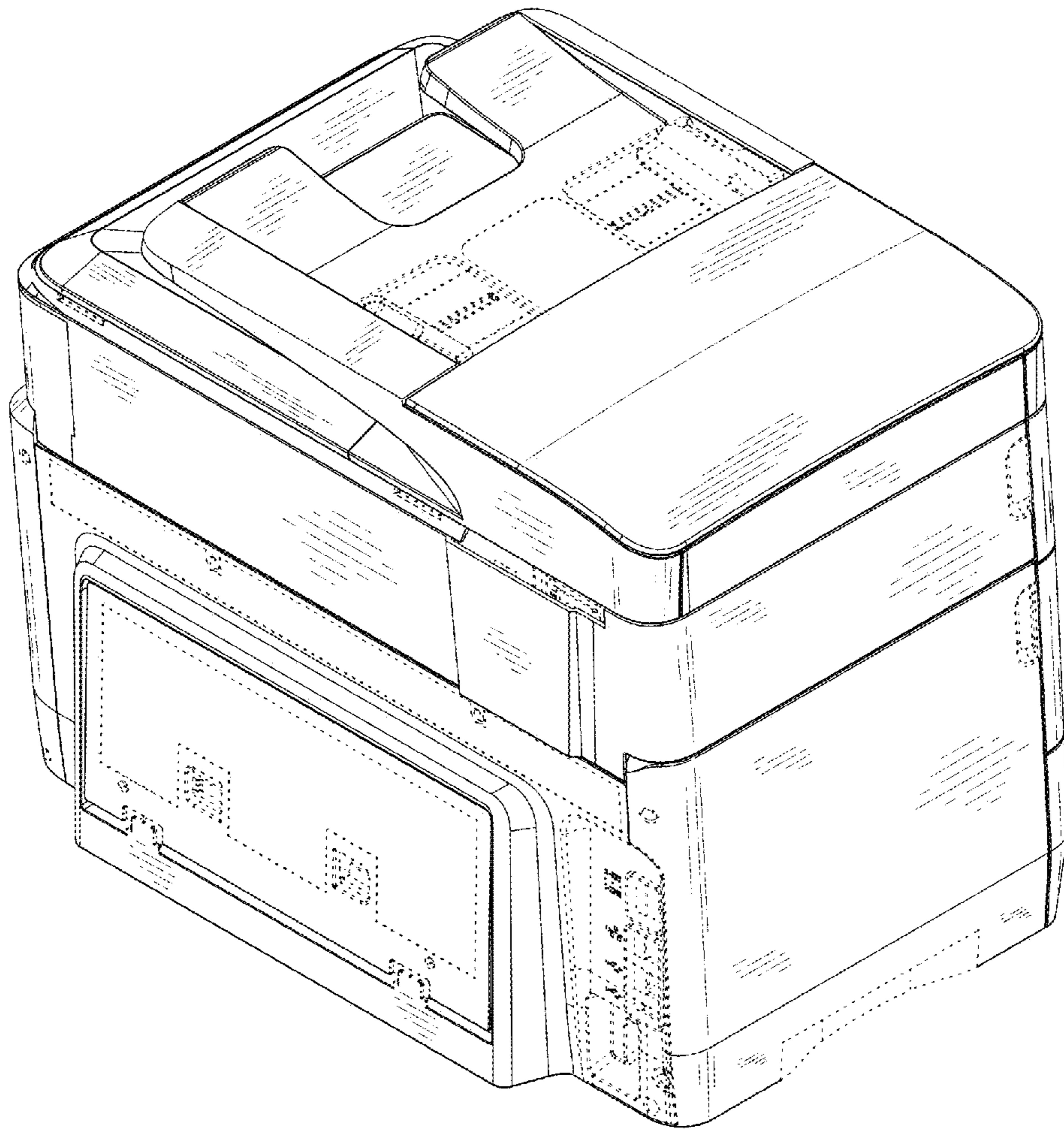


FIG. 3

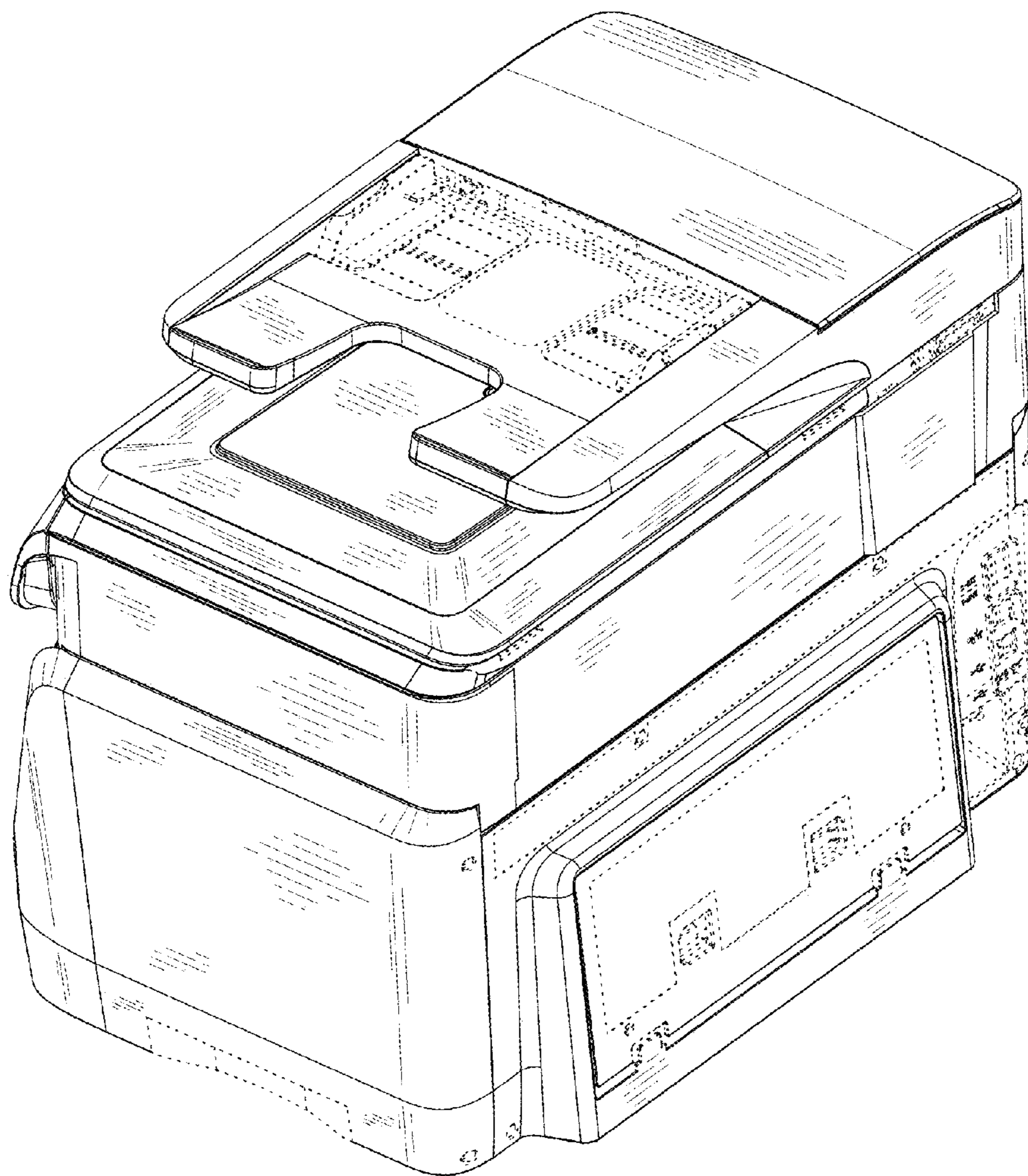


FIG. 4

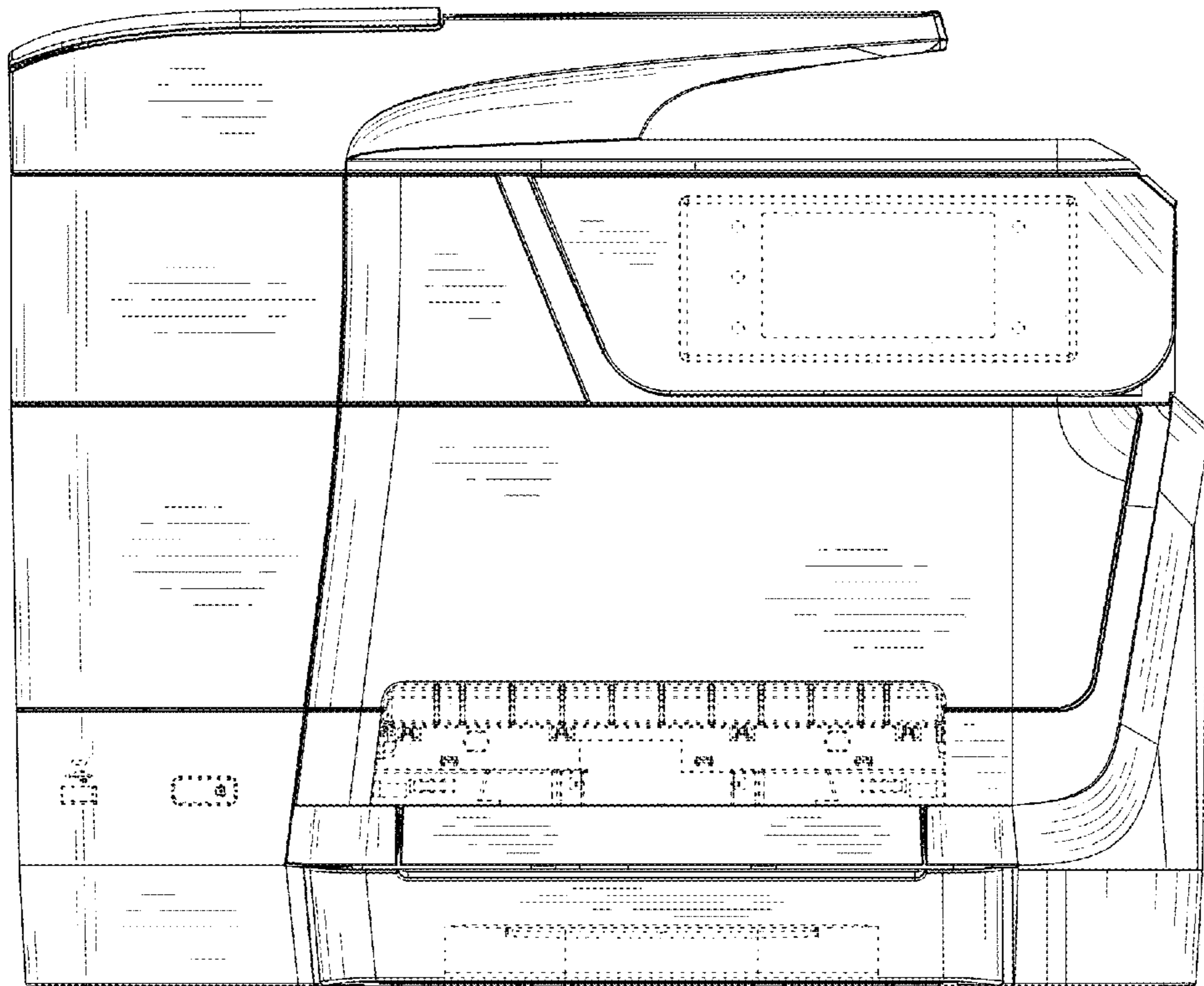


FIG. 5

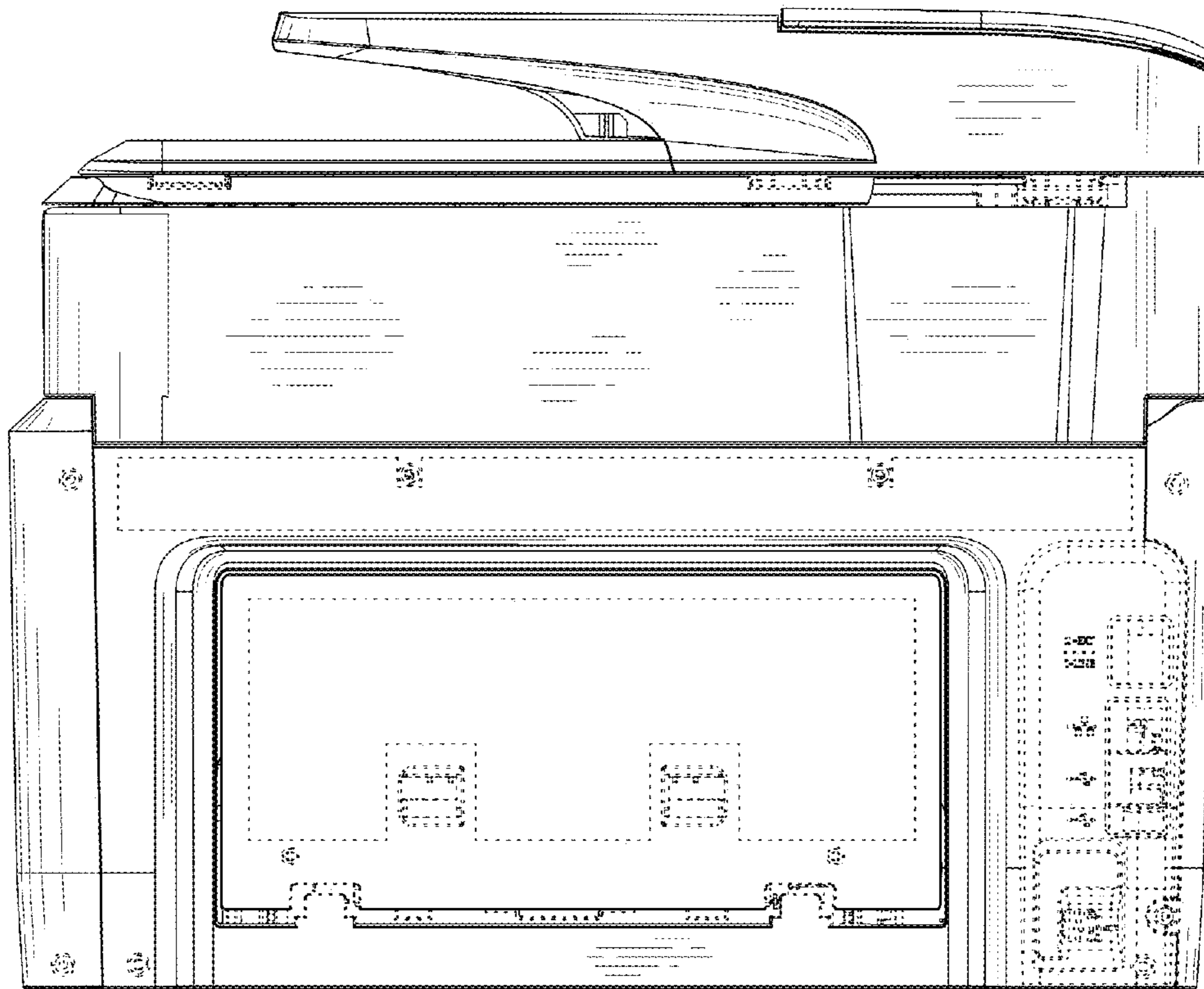


FIG. 6

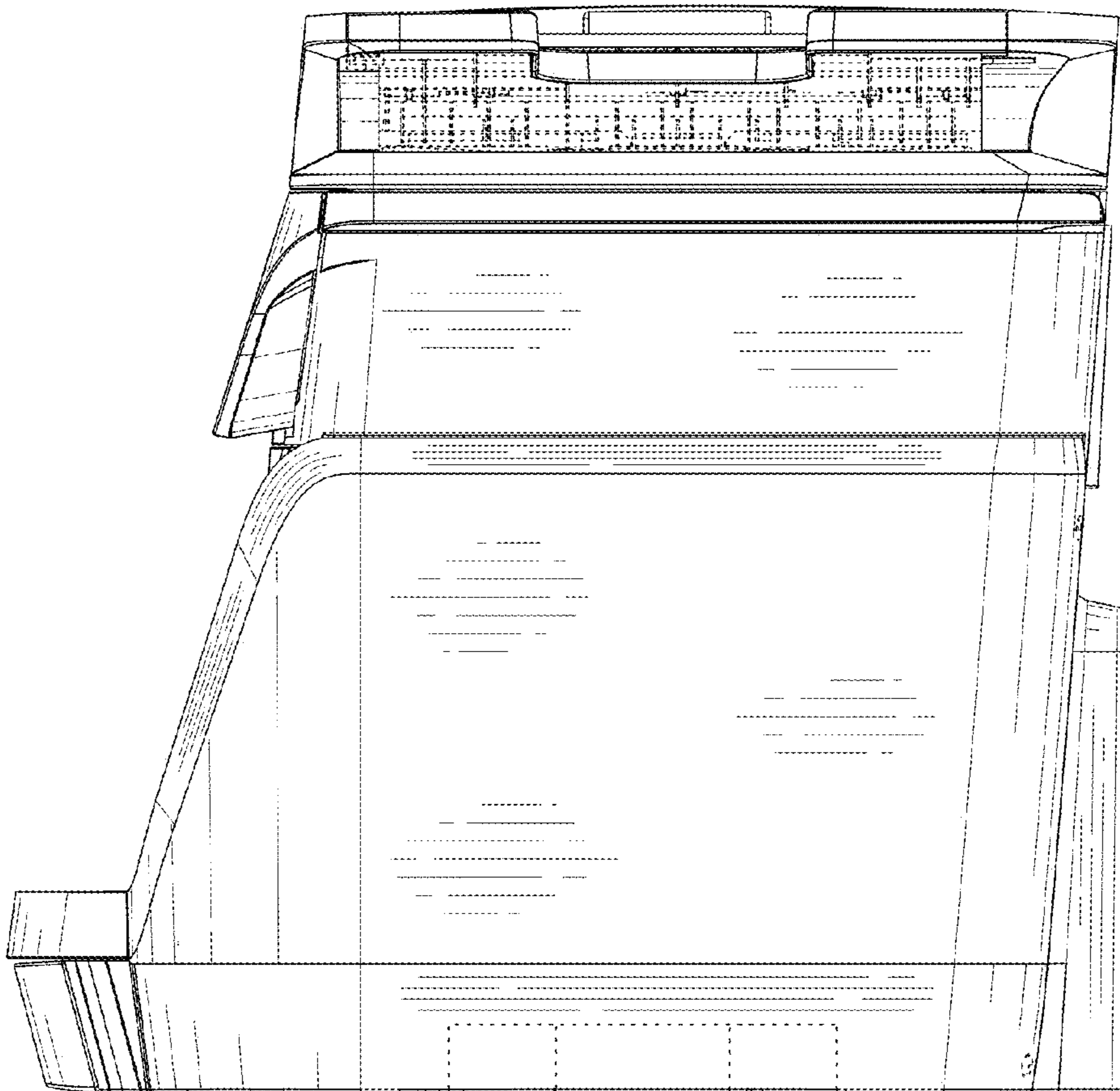


FIG. 7

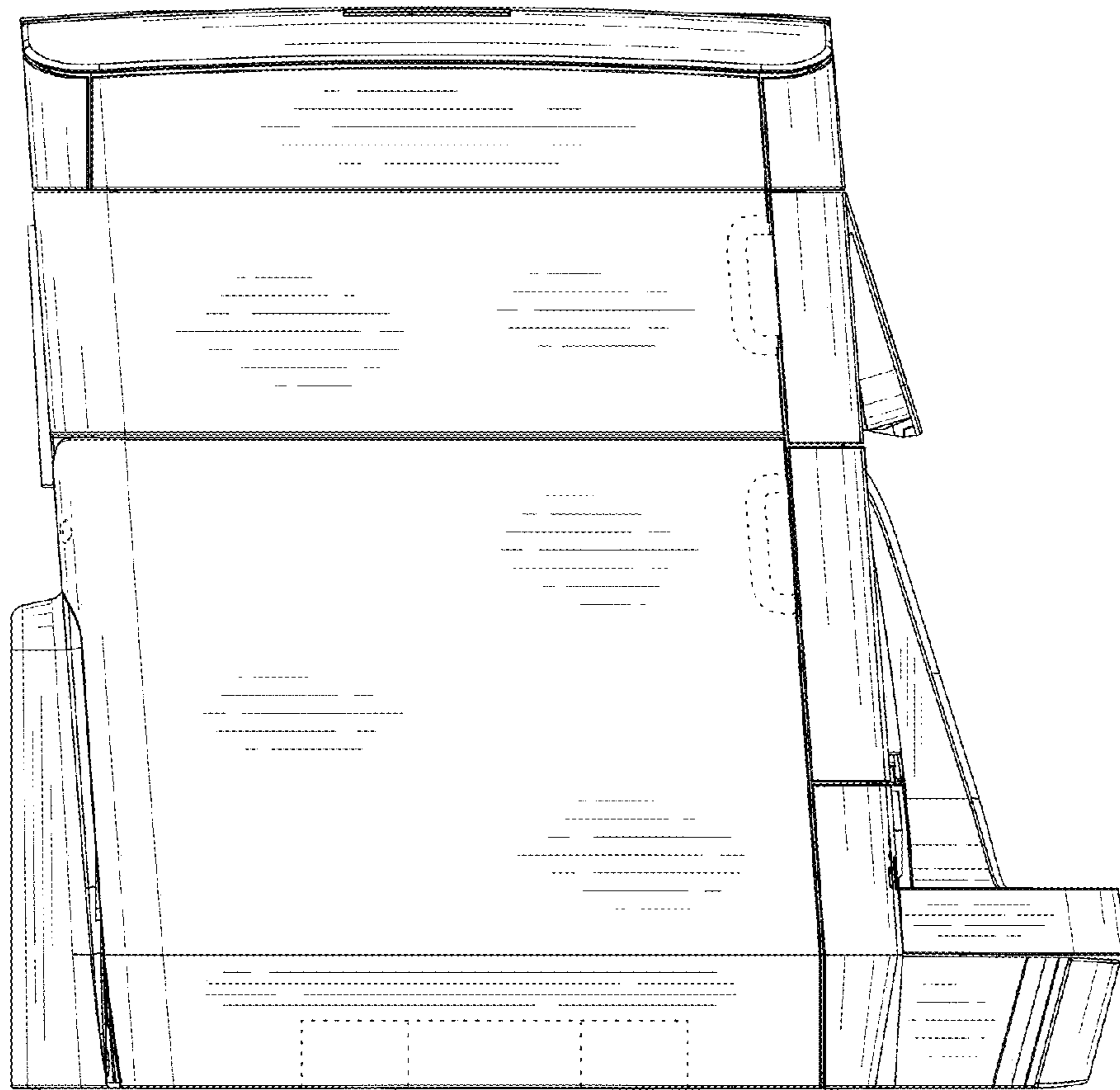


FIG. 8

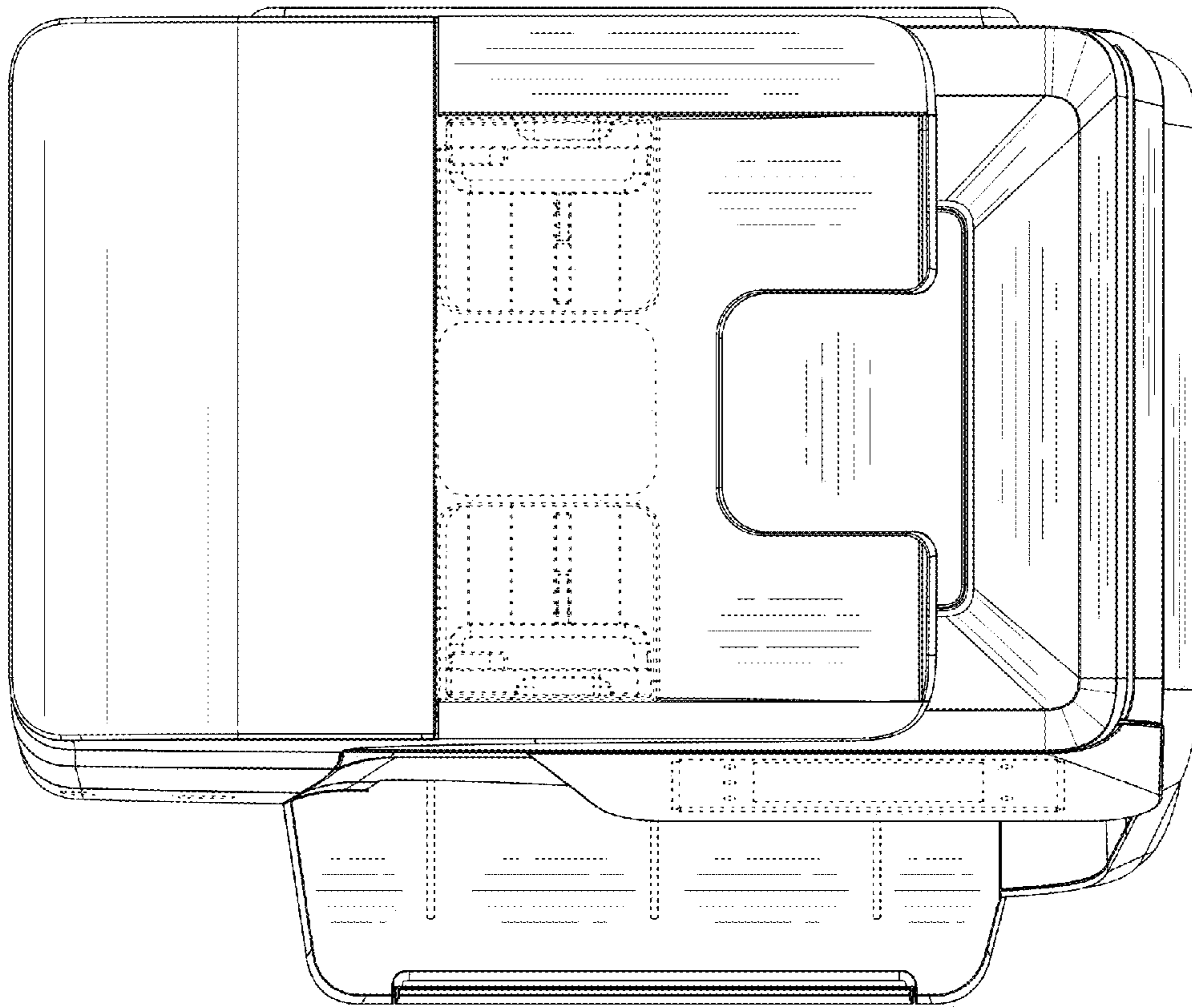


FIG. 9

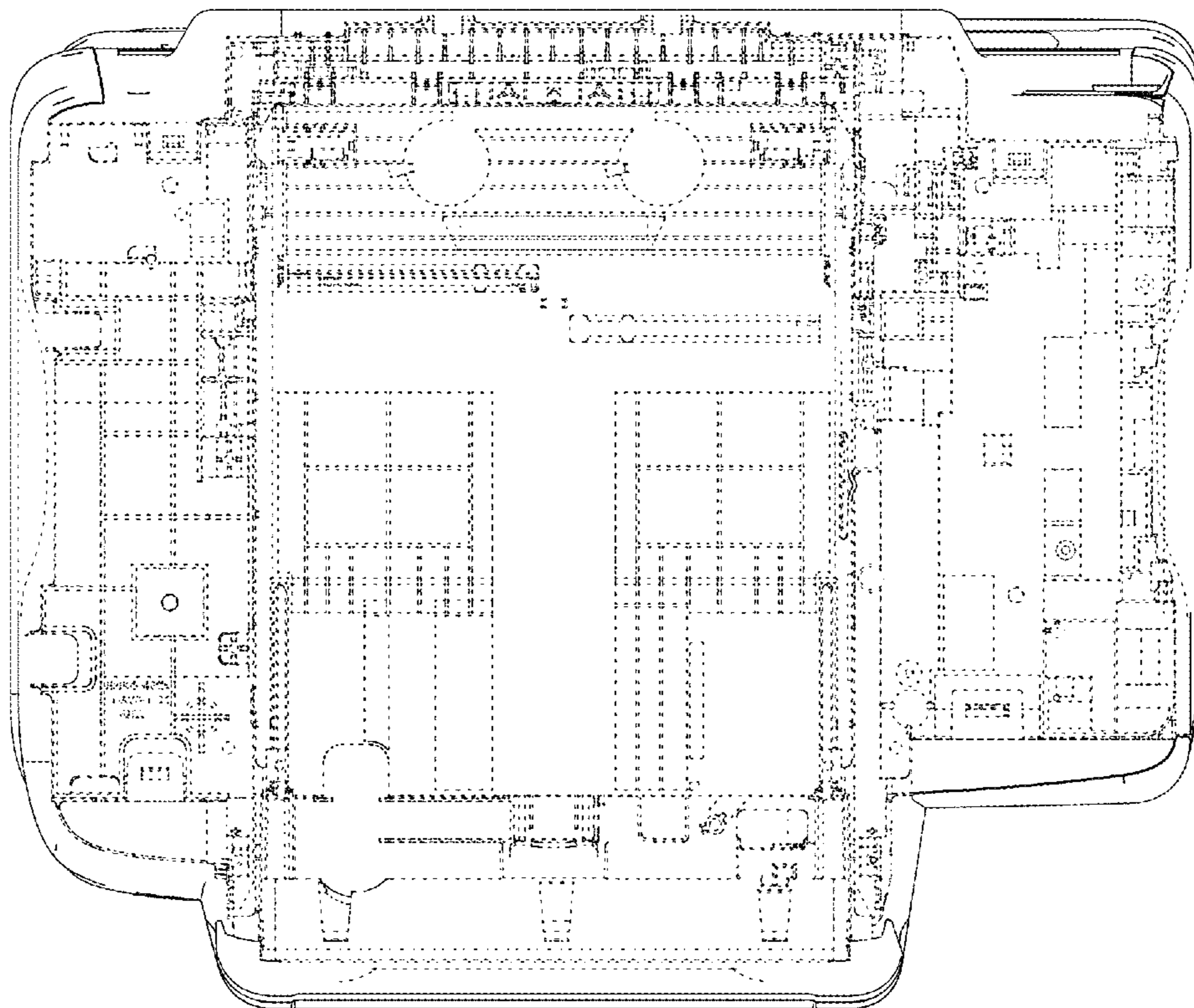


FIG. 10

UNITED STATES PATENT AND TRADEMARK OFFICE
CERTIFICATE OF CORRECTION

PATENT NO. : D765,080 S
APPLICATION NO. : 29/528558
DATED : August 30, 2016
INVENTOR(S) : Nick Su et al.

Page 1 of 1

It is certified that error appears in the above-identified patent and that said Letters Patent is hereby corrected as shown below:

On the Title Page

In item (72), Inventors, in Column 1, Line 2, delete "Singpaore" and insert -- Singapore --, therefor.

Signed and Sealed this
First Day of August, 2017



Joseph Matal
*Performing the Functions and Duties of the
Under Secretary of Commerce for Intellectual Property and
Director of the United States Patent and Trademark Office*