



US00D765079S

(12) **United States Design Patent** (10) **Patent No.:** **US D765,079 S**
Hook (45) **Date of Patent:** **** Aug. 30, 2016**

(54) **JOYSTICK**

(56) **References Cited**

(71) Applicant: **NACCO Materials Handling Group, Inc.**, Fairview, OR (US)

U.S. PATENT DOCUMENTS

(72) Inventor: **Michael Hook**, Lonato (IT)

D366,910 S *	2/1996	Hsieh	D14/412
5,749,577 A *	5/1998	Couch	A63F 13/06 273/148 B
5,818,037 A *	10/1998	Redford	G01D 5/30 250/221
D413,880 S *	9/1999	Barnes	D14/416
D486,151 S *	2/2004	Mukaida	D14/412
7,059,207 B2 *	6/2006	Harris	G01N 1/08 73/864.45
D577,359 S *	9/2008	Cigarini	D12/179
D584,312 S *	1/2009	Bishop	D14/412
D628,216 S *	11/2010	Ulbrich	D15/28
D720,350 S *	12/2014	Haubrich	D14/415
D723,033 S *	2/2015	Hook	D14/412
2005/0034549 A1 *	2/2005	Braud	B66F 9/20 74/473.1

(73) Assignee: **Hyster-Yale Group, Inc.**, Fairview, OR (US)

(**) Term: **15 Years**

(21) Appl. No.: **29/540,267**

(22) Filed: **Sep. 22, 2015**

Related U.S. Application Data

(62) Division of application No. 29/513,252, filed on Dec. 29, 2014, now Pat. No. Des. 741,863, which is a division of application No. 29/487,005, filed on Apr. 4, 2014, now Pat. No. Des. 723,033.

* cited by examiner

Primary Examiner — Prabhakar Deshmukh

(51) **LOC (10) Cl.** **14-03**

(57) **CLAIM**

The ornamental design for a joystick, as shown and described.

(52) **U.S. Cl.**
USPC **D14/412**

DESCRIPTION

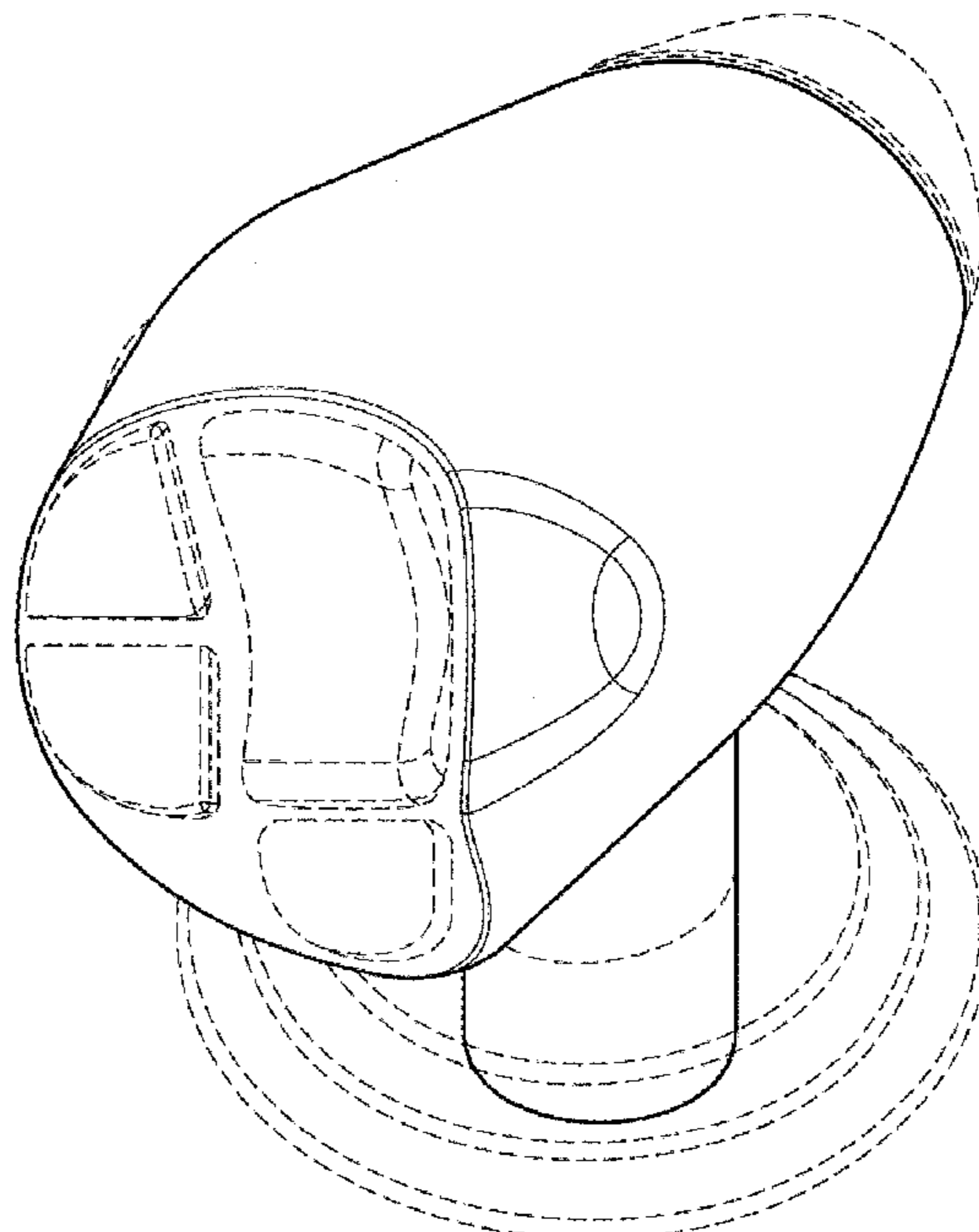
(58) **Field of Classification Search**

USPC D14/399–401, 412–416, 217, 218, 356, D14/432–434, 454, 496; D21/324, 332, D21/333; 273/148 B; 463/1, 29–25, 46, 47; 345/156–161, 905; D12/174, 178–180; 74/489, 551.8, 551.9; D13/168
CPC A63F 9/00; A63F 9/24; A63F 13/00; A63F 13/02; A63F 9/25

FIG. 1 is a left side elevational view of a joystick showing my new design;
FIG. 2 is a top plan view thereof;
FIG. 3 is a rear elevational view thereof;
FIG. 4 is a rear left perspective view thereof; and,
FIG. 5 is a rear right perspective view thereof.
The broken lines at the base of a joystick illustrate environment. All other broken lines indicate unclaimed portions of the claimed design. None of these broken lines form part of the claimed design.

See application file for complete search history.

1 Claim, 5 Drawing Sheets



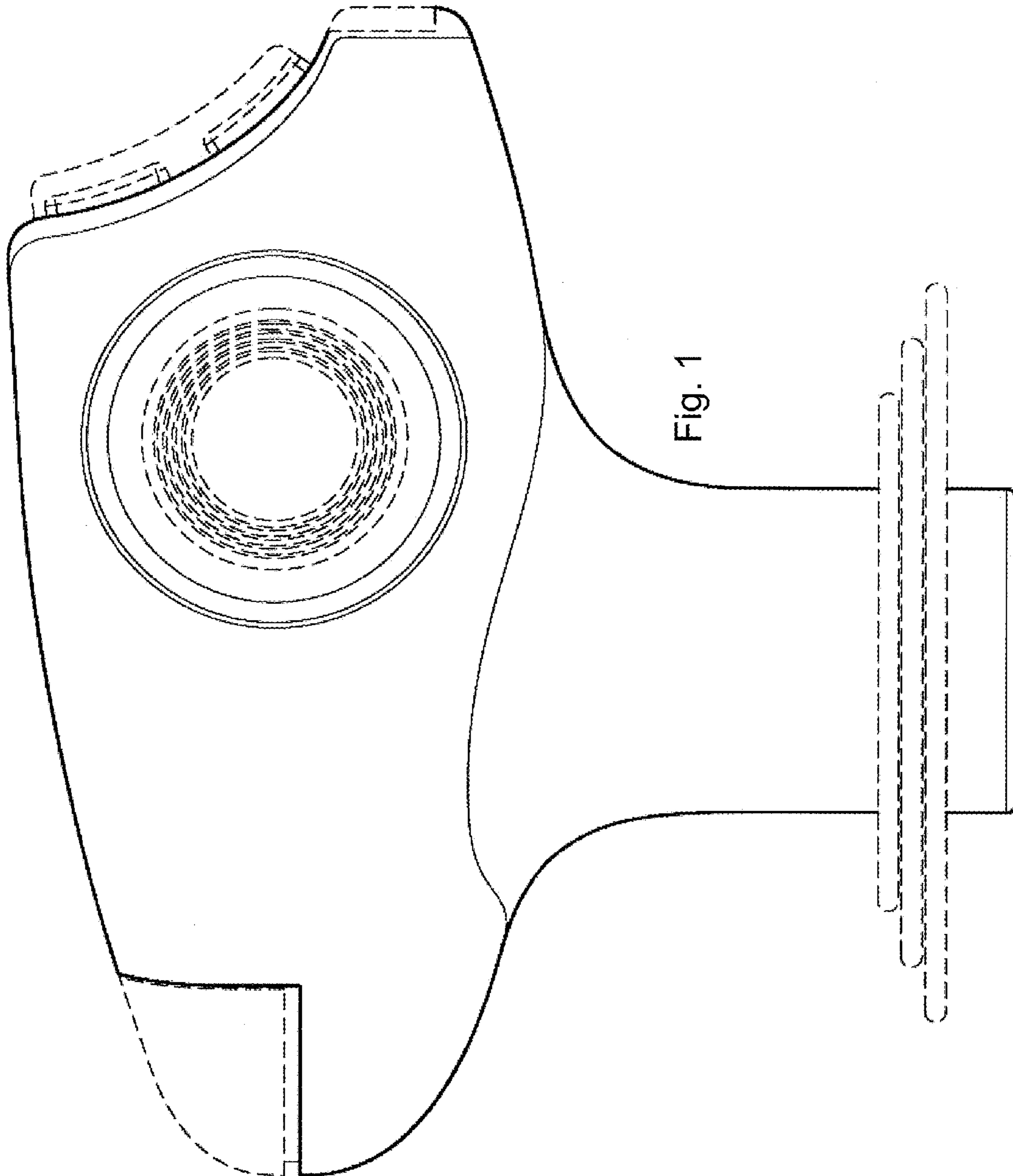


Fig. 1

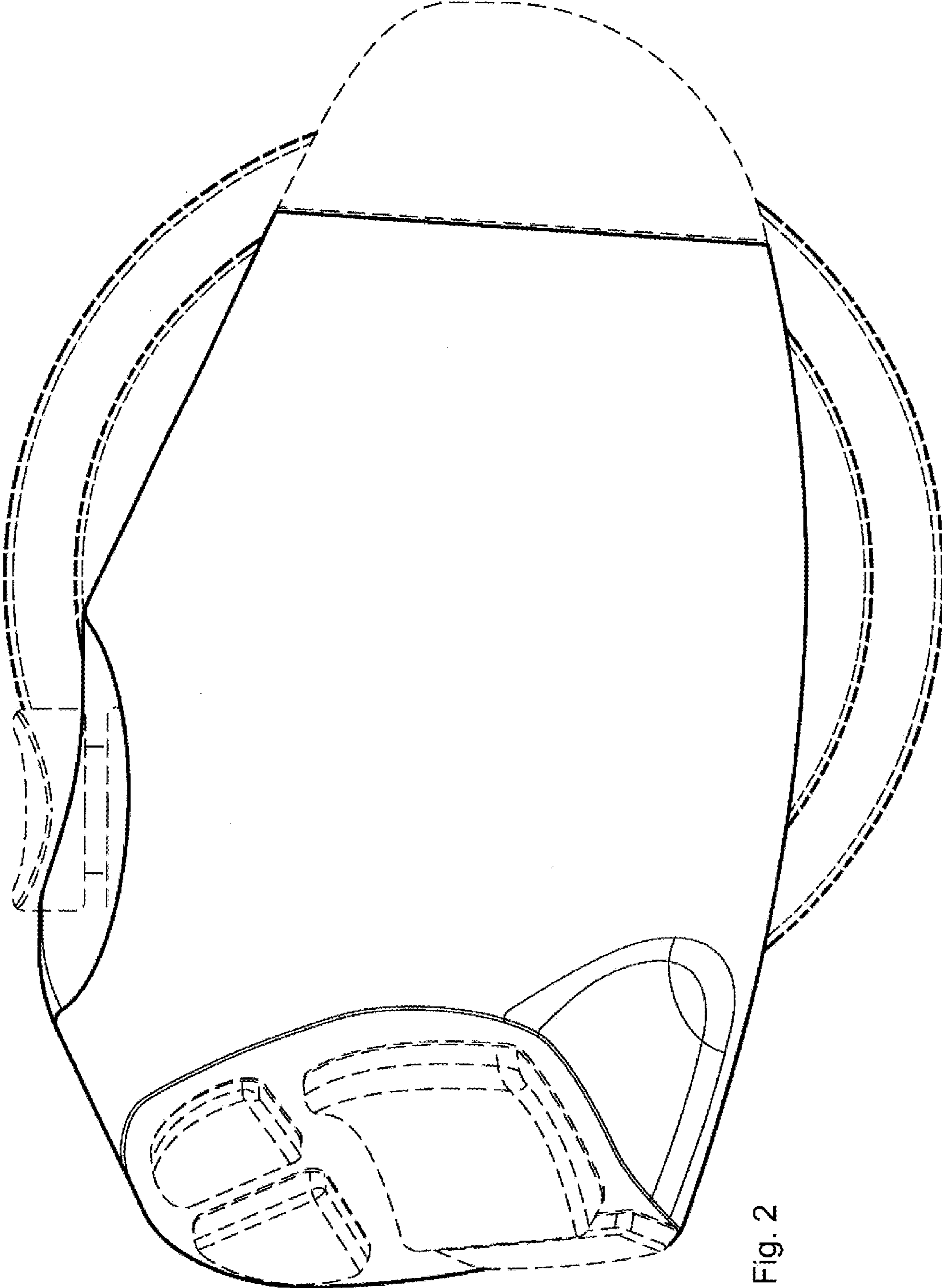


Fig. 2

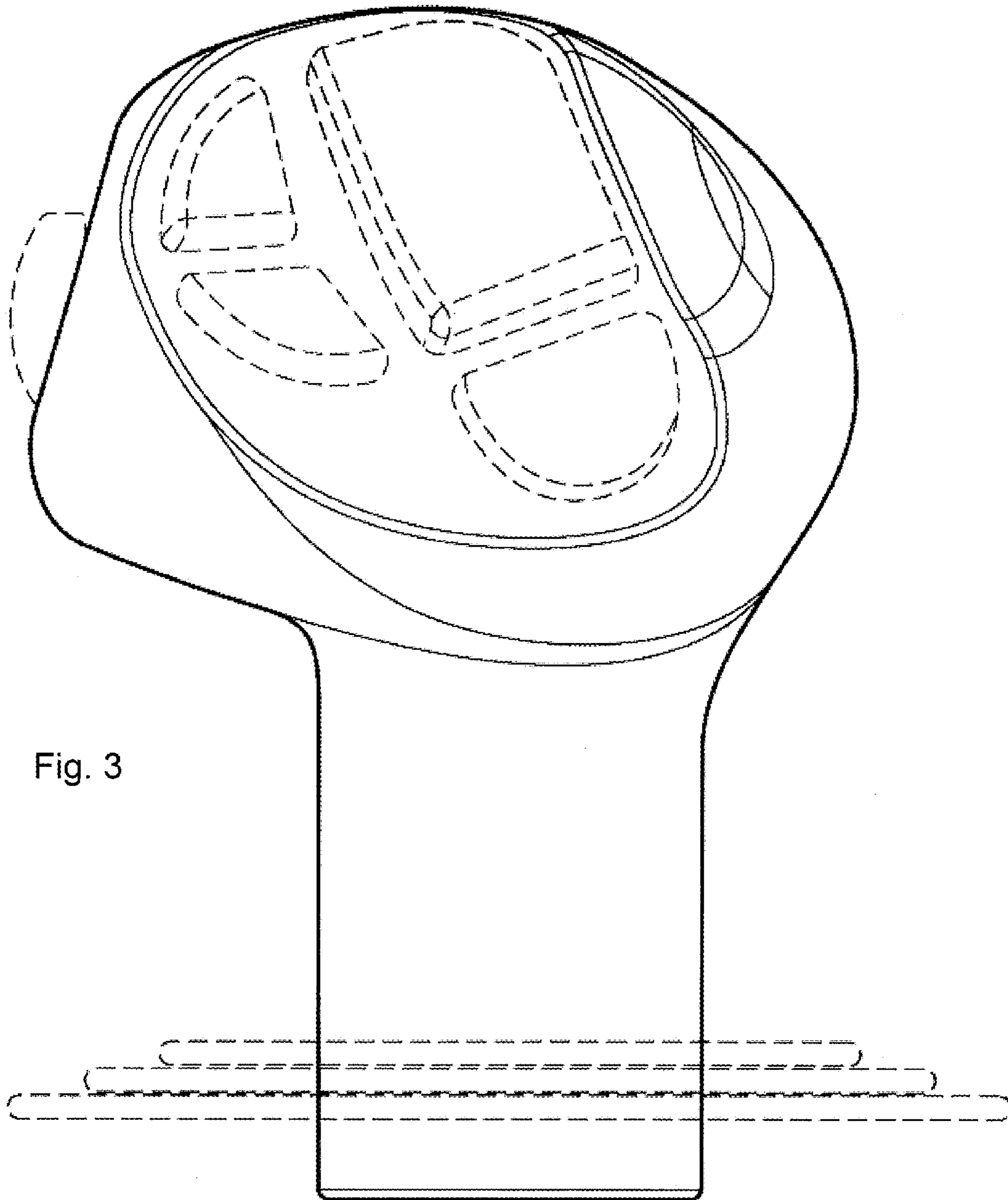


Fig. 3

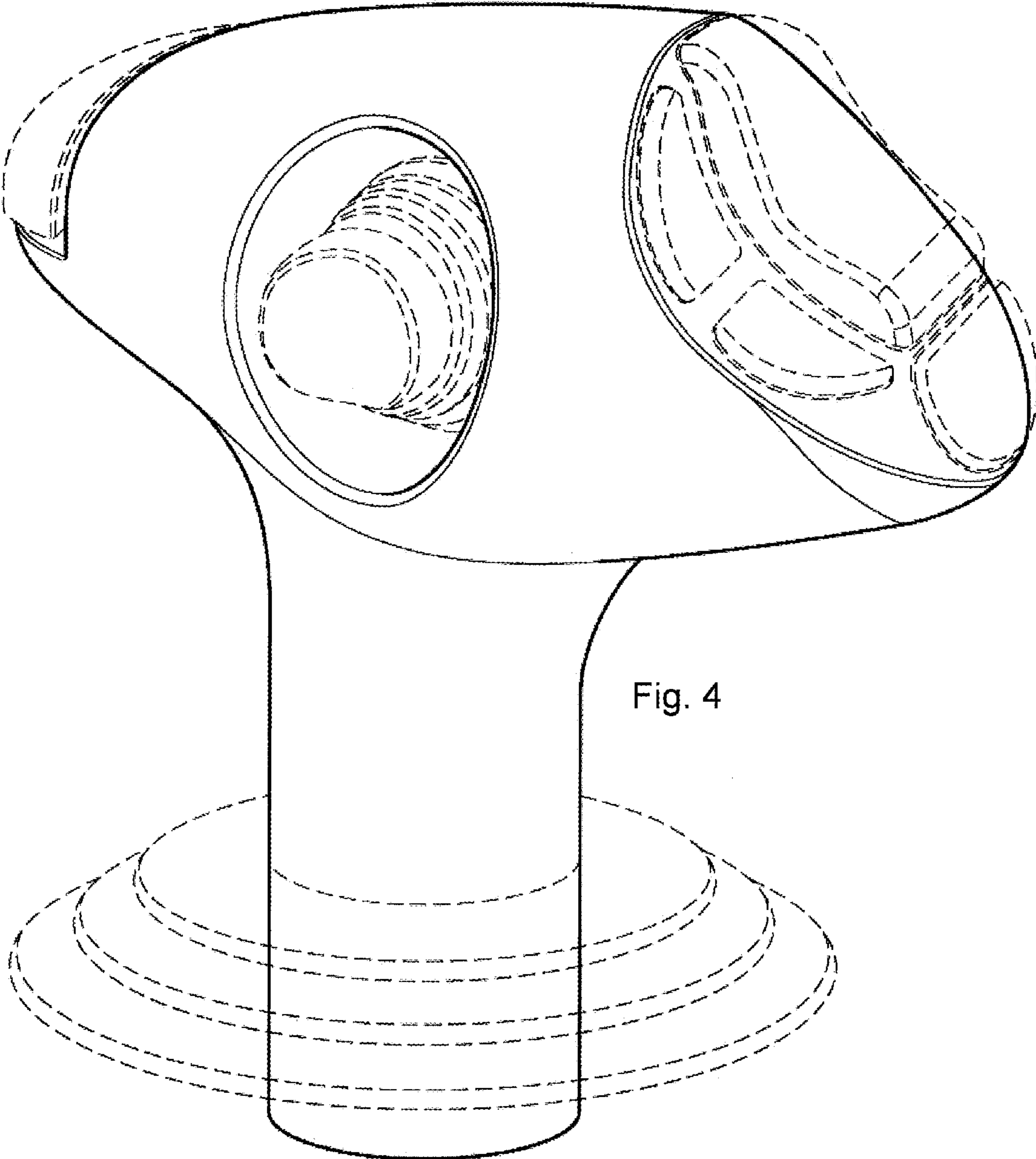


Fig. 4

Fig. 5

