



US00D765078S

(12) **United States Design Patent**
Klein

(10) **Patent No.:** **US D765,078 S**

(45) **Date of Patent:** **** Aug. 30, 2016**

(54) **OPTICAL MOUSE**

(71) Applicant: **David Harry Klein**, Sterling, VA (US)

(72) Inventor: **David Harry Klein**, Sterling, VA (US)

(73) Assignee: **DHK Storage, LLC**, Herndon, VA (US)

(**) Term: **15 Years**

(21) Appl. No.: **29/556,116**

(22) Filed: **Feb. 26, 2016**

(51) **LOC (10) Cl.** **14-02**

(52) **U.S. Cl.**
USPC **D14/407**

(58) **Field of Classification Search**

USPC D21/333, 394, 513; D14/402, 403, 404,
D14/405, 406, 407, 408, 409, 410, 426, 427,
D14/300, 432, 439; 361/679.02, 679.31,
361/679.4

CPC G06F 3/03543; G06F 2203/0333;
G06F 3/039; G06F 3/038; G06F 2203/0384
See application file for complete search history.

D464,652 S	10/2002	Roh	
D483,764 S	12/2003	Masamitsu	
D484,882 S	1/2004	Wu	
D487,464 S	3/2004	Yoon	
D532,422 S *	11/2006	Gorbunov	D14/409
D534,168 S	12/2006	Wada	
D534,535 S	1/2007	Tzeng	
D545,822 S	7/2007	Murakami	
D610,585 S	2/2010	Yang	
D615,981 S	5/2010	Lin	
D616,887 S	6/2010	Le Guen	
D616,888 S	6/2010	Chen	
D643,429 S	8/2011	Ferwerda	
D654,919 S *	2/2012	Cheng	D14/409
D659,695 S *	5/2012	Chen	D14/409
D684,973 S *	6/2013	Myung	D14/407
D728,572 S *	5/2015	Yockey	D14/409
2012/0188162 A1 *	7/2012	Zhou	G06F 3/03543 345/163

* cited by examiner

Primary Examiner — Austin Murphy

(57) **CLAIM**

The ornamental design for an optical mouse, as shown and described.

DESCRIPTION

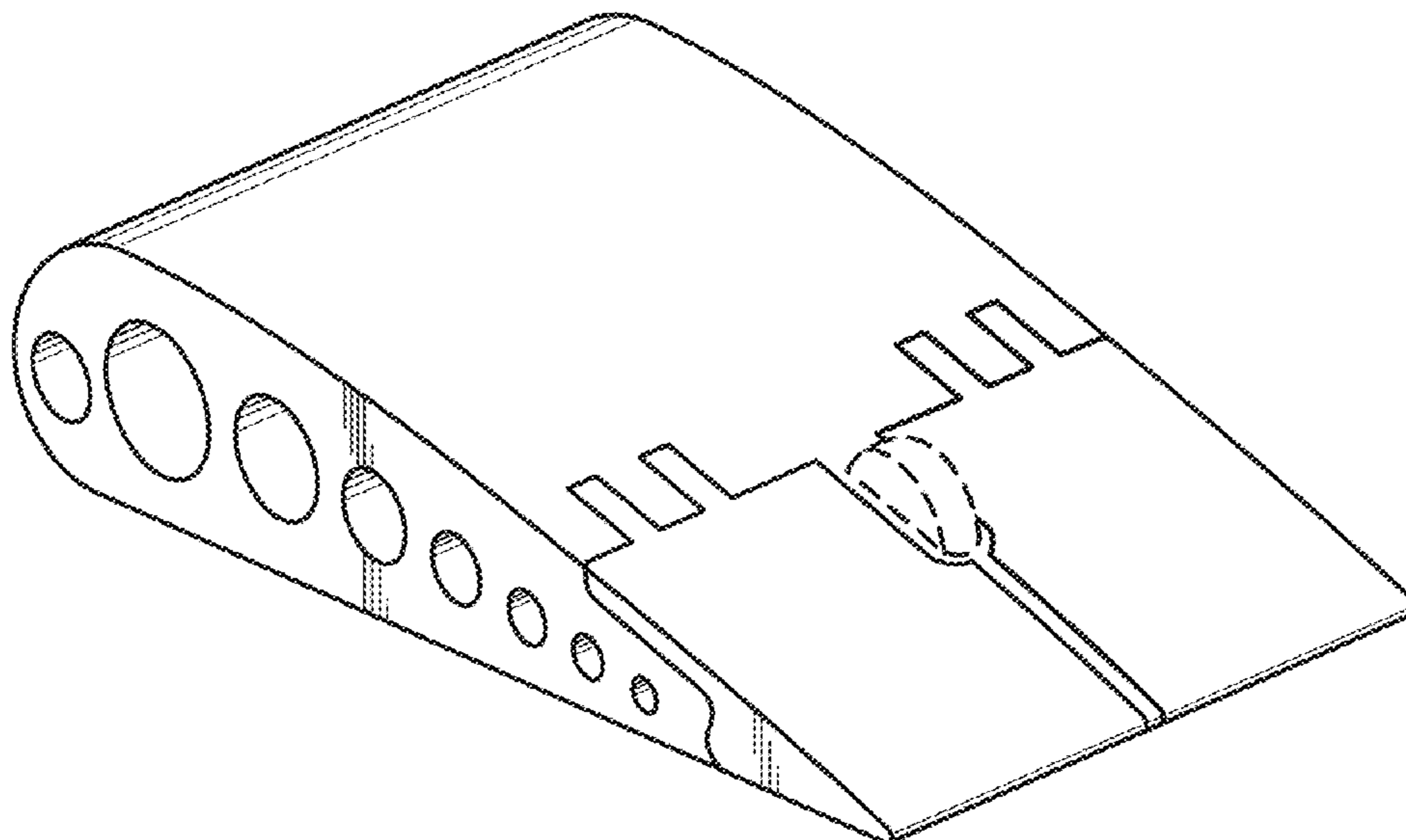
FIG. 1 is a perspective view of the optical mouse; FIG. 2 is a right side view of the optical mouse thereof; FIG. 3 is a left side view of the optical mouse thereof; FIG. 4 is a top view of the optical mouse thereof; FIG. 5 is a rear view of the optical mouse thereof; and, FIG. 6 is a front view of the optical mouse thereof. The bottom of the optical mouse is understood to be plain and unornamented. Broken, dotted lines depict environmental effects only and form no part of the claimed design.

1 Claim, 4 Drawing Sheets

(56) **References Cited**

U.S. PATENT DOCUMENTS

D340,923 S *	11/1993	Tso	D14/407
D340,924 S *	11/1993	Tso	D14/407
D387,749 S *	12/1997	Diaz	D14/409
D434,416 S	11/2000	Goto	
D437,599 S	2/2001	Kaneko	
D439,252 S	3/2001	Ledbetter	
D452,504 S	12/2001	Hu	
D458,932 S	6/2002	Huang	
D459,353 S	6/2002	Lee	
D460,071 S *	7/2002	Sheehan	D14/402
D464,352 S	10/2002	Kerestegian	



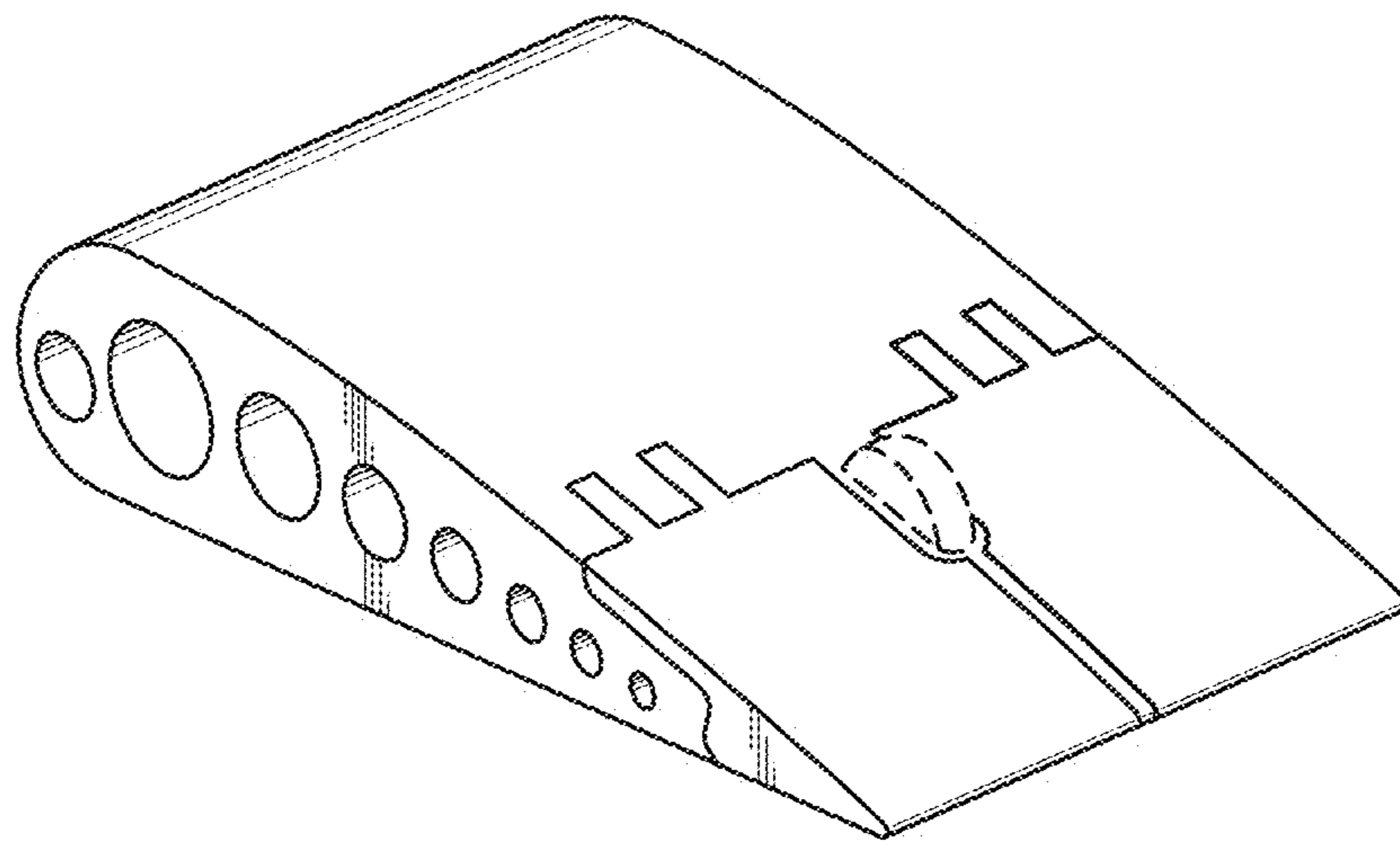


FIG.1

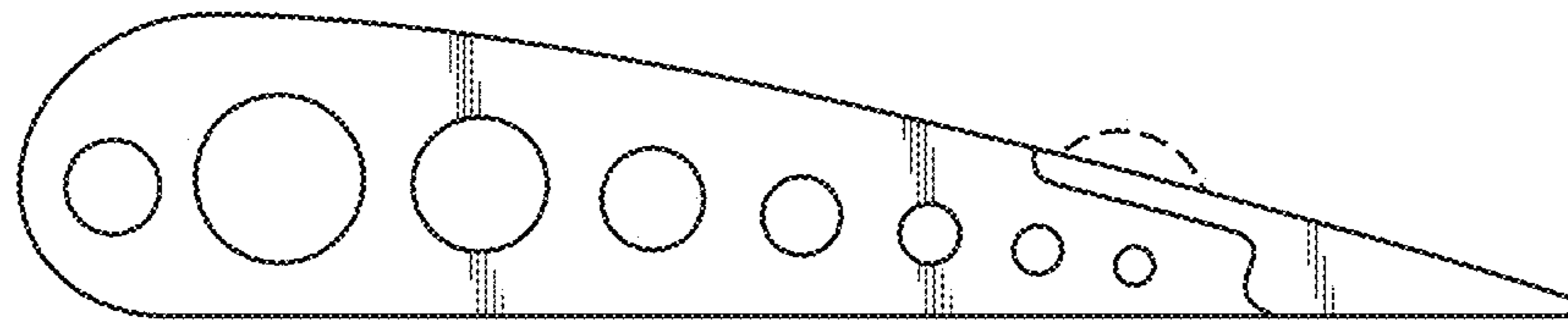


FIG. 2

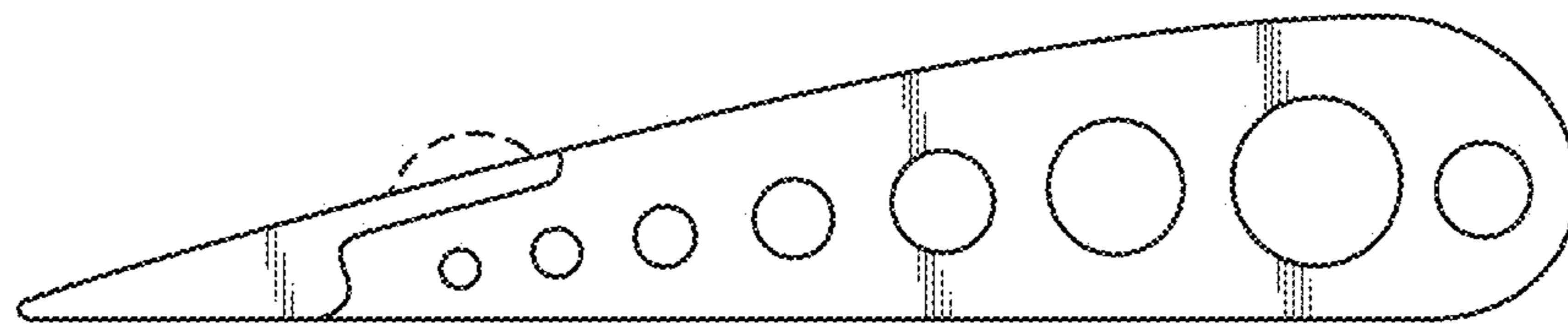


FIG. 3

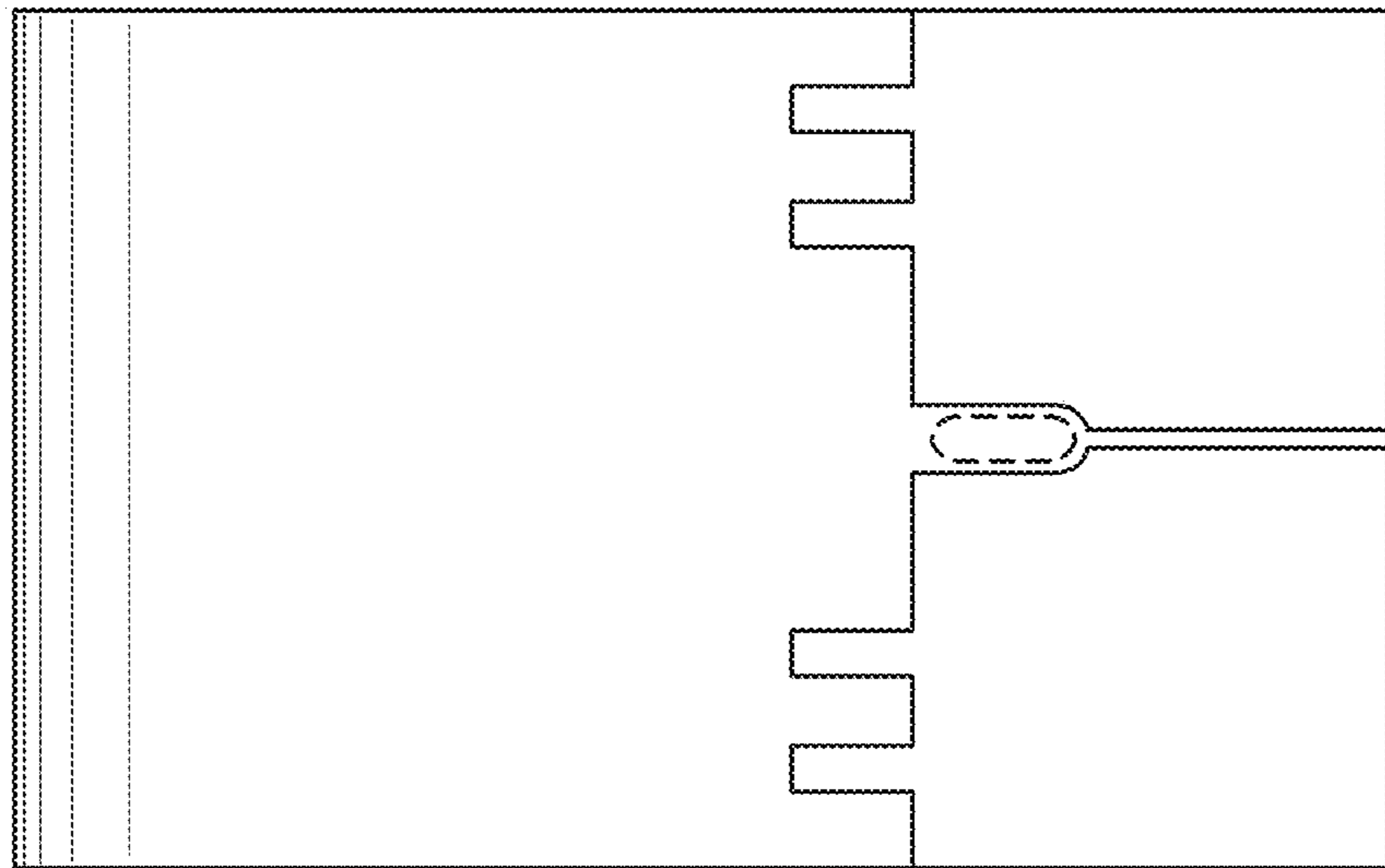


FIG. 4

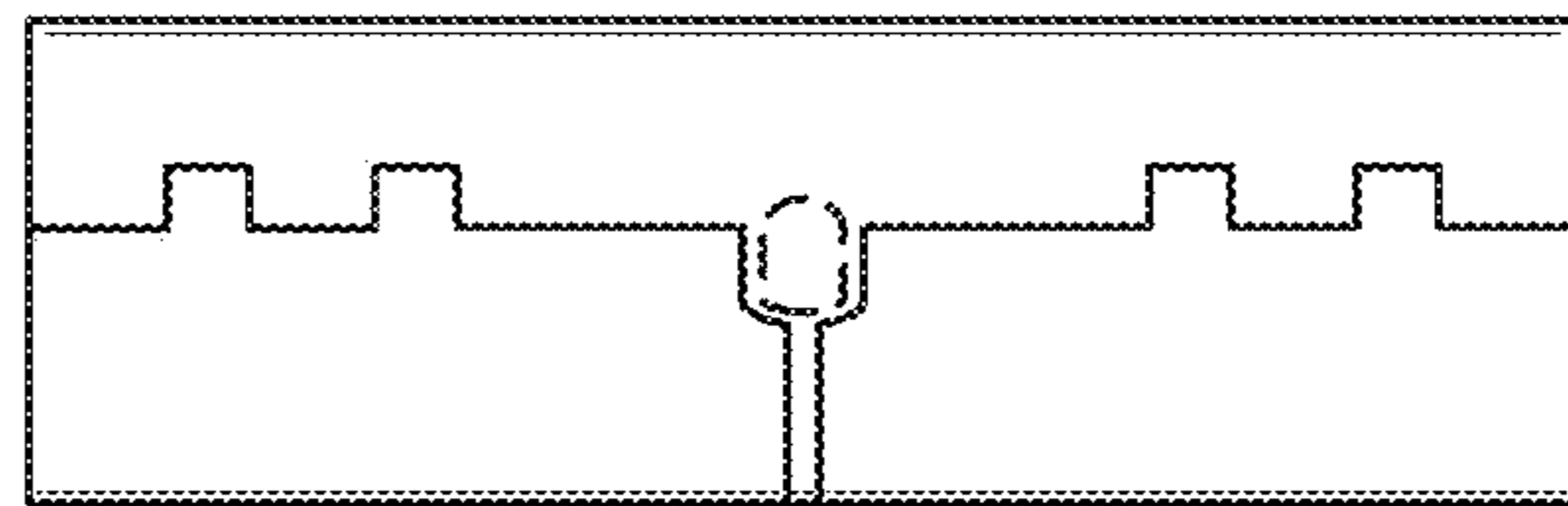


FIG. 5

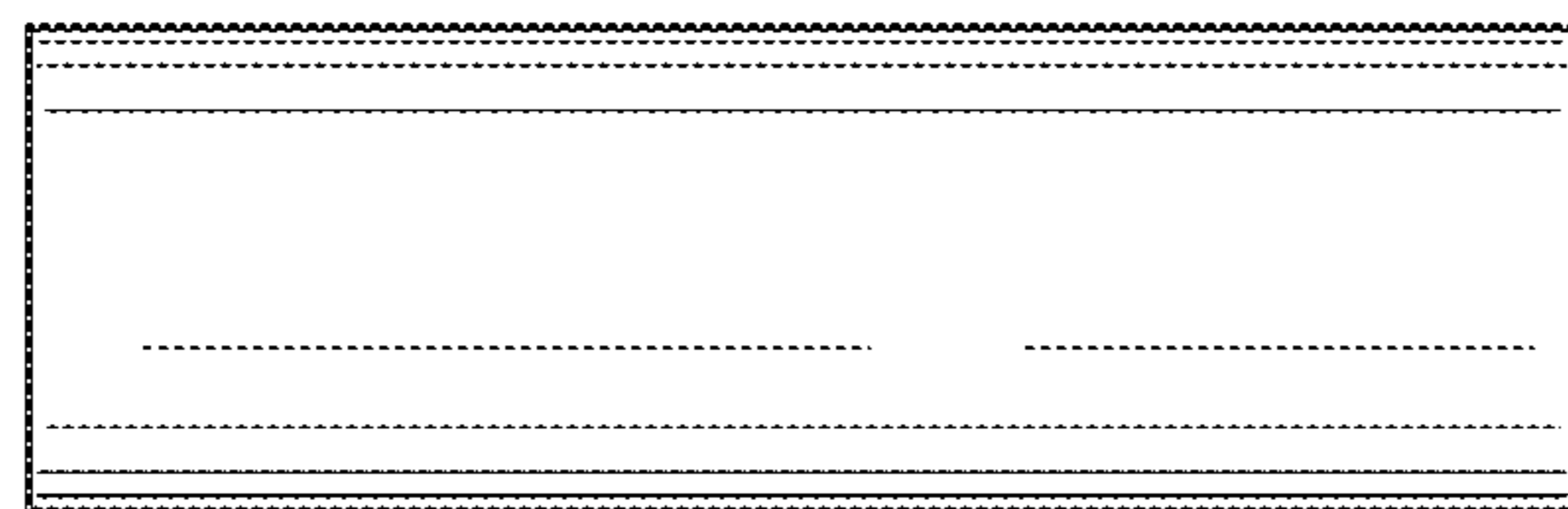


FIG. 6