



US00D765074S

(12) **United States Design Patent** (10) **Patent No.:** **US D765,074 S**
Katopis (45) **Date of Patent:** **** Aug. 30, 2016**

- (54) **GOGGLES ADAPTED TO RECEIVE A DEVICE**
- (71) Applicant: **Chris J. Katopis**, Washington, DC (US)
- (72) Inventor: **Chris J. Katopis**, Washington, DC (US)
- (**) Term: **15 Years**
- (21) Appl. No.: **29/531,947**
- (22) Filed: **Jun. 30, 2015**
- (51) **LOC (10) Cl.** **14-02**
- (52) **U.S. Cl.**
 USPC **D14/372**
- (58) **Field of Classification Search**
 USPC D14/372, 496, 432, 371, 125, 126, 129, D14/299; D16/300-342; 351/158, 153, 144; 345/7-9, 905; 455/344; 348/115, 53, 348/121, 739
 CPC G02B 27/017; G02B 27/0158; G02B 27/0161; G02B 2/0181; G02B 27/0185; G02B 27/0189
- See application file for complete search history.

(56) **References Cited**

U.S. PATENT DOCUMENTS

D273,819 S	5/1984	Yehl
D274,385 S	6/1984	Newcomb
D274,438 S	6/1984	Angerman et al.
D285,020 S	8/1986	Schmidthaler
D294,710 S	3/1988	Witzel
D314,001 S	1/1991	Nussbickl
D322,795 S	12/1991	Dianitsch
D328,084 S	7/1992	Salce et al.
D352,046 S	11/1994	Kataoka
D358,150 S	5/1995	Lewis, Jr. et al.
D359,502 S	6/1995	Hicks
5,506,730 A	4/1996	Morley et al.
6,560,029 B1	5/2003	Dobbie et al.
6,637,038 B1	10/2003	Hussey
D551,280 S	9/2007	Li
D601,641 S	10/2009	Yeung

D636,810 S	4/2011	Hwang et al.
8,011,026 B2	9/2011	Stevens
D652,860 S	1/2012	Carlow et al.
D658,701 S	5/2012	Linuma et al.
8,166,578 B2	5/2012	Tan
D662,965 S	7/2012	Carlow et al.
D663,763 S	7/2012	Inui et al.
D669,523 S	10/2012	Wakata et al.
D672,804 S	12/2012	Carlow et al.
8,458,823 B2	6/2013	Matera

(Continued)

OTHER PUBLICATIONS

“Google Cardboard,” [retrieved Jun. 30, 2015]<URL: www.google.com/get/cardboard>.

(Continued)

Primary Examiner — Austin Murphy
(74) *Attorney, Agent, or Firm* — Chris J. Katopis

(57) **CLAIM**
The ornamental design for goggles adapted to receive a device, as shown and described.

DESCRIPTION

FIG. 1 is an exemplary diagram showing the use of the goggles adapted to receive a device in an environment, the broken lines being shown for illustrative purposes only and form no part of the claimed design;

FIG. 2 is a front perspective view of the goggles adapted to receive a device, showing my new design;

FIG. 3 is a front view thereof;

FIG. 4 is a rear view thereof;

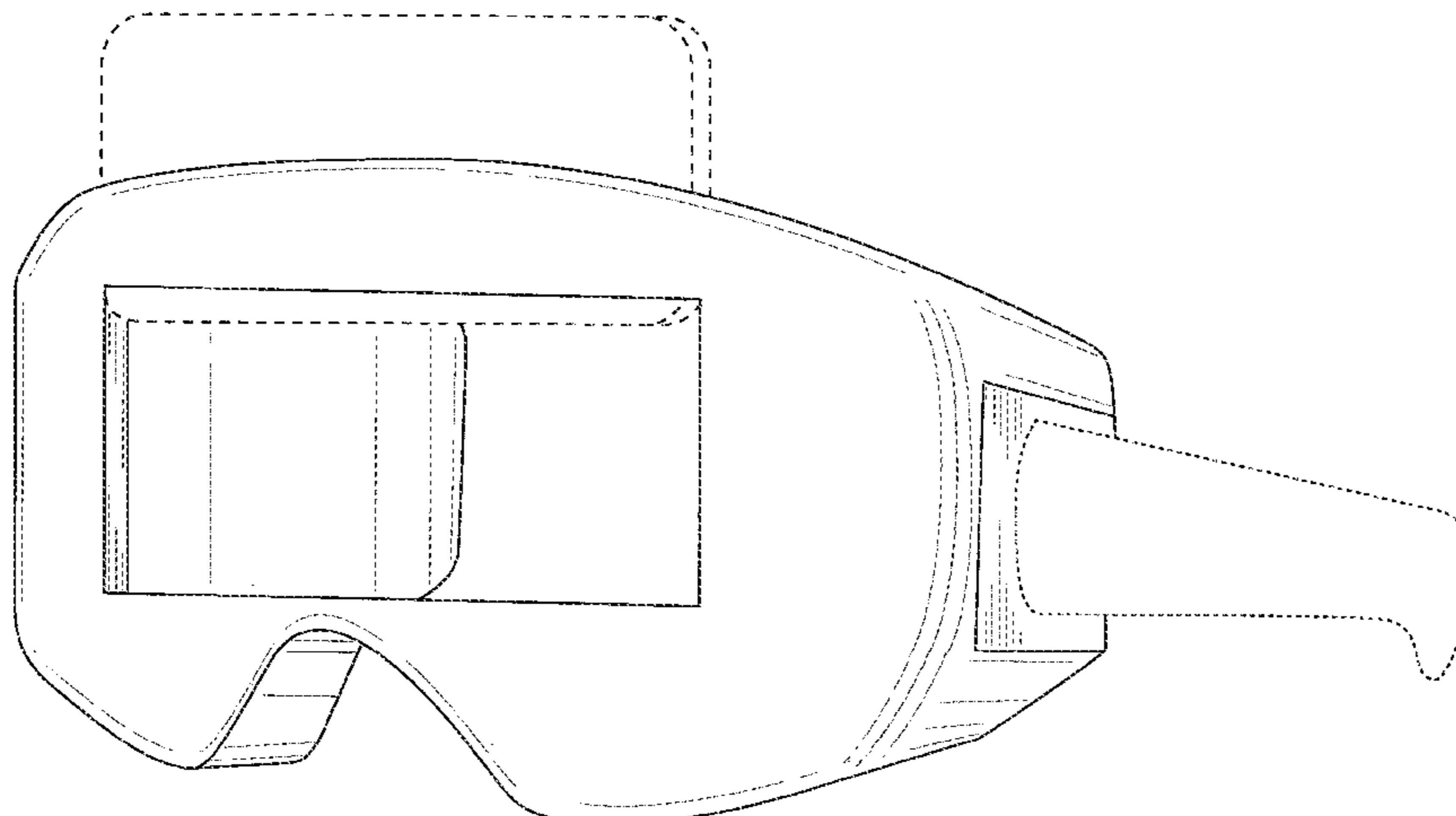
FIG. 5 is a side view thereof, with the opposite side view being a mirror-image thereof;

FIG. 6 is a top plan view thereof; and,

FIG. 7 is bottom plan view thereof.

In all figures, any showing of the environment and/or drawing disclosure and/or device by broken lines is for illustrative purposes only and forms no part of the claimed design.

1 Claim, 7 Drawing Sheets



(56)

References Cited

U.S. PATENT DOCUMENTS

D701,556 S 3/2014 Cho
 D711,961 S 8/2014 Arnette
 D714,378 S 9/2014 Sandor
 D717,851 S 11/2014 Arnette
 D719,953 S * 12/2014 Nokuo D14/372
 D722,054 S * 2/2015 Serota D14/372
 D727,318 S * 4/2015 Garcia Marin D14/372
 D727,398 S 4/2015 Blanchard et al.
 D732,028 S * 6/2015 Kim D14/372
 D738,374 S * 9/2015 Luckey D14/372
 D740,815 S * 10/2015 Bosveld D14/372
 D741,324 S * 10/2015 Bosveld D14/372
 D741,327 S * 10/2015 Reznik D14/372
 D741,858 S * 10/2015 Bosveld D14/372

D748,628 S * 2/2016 Bosveld D14/372
 D749,580 S * 2/2016 Kim D14/372
 D749,583 S * 2/2016 Luckey D14/372
 D750,074 S * 2/2016 Coz D14/372
 D751,072 S * 3/2016 Lyons D14/372
 D752,680 S * 3/2016 Kim D14/372

OTHER PUBLICATIONS

“Conan360 VR Viewer,” [retrieved Jun. 20, 2015] <URL: teamcoco.com/coco/content/conan-360-request-cardboard>.
 “Archos VR Glasses,” [retrieved Jun. 30, 2015] <URL: www.archos.com/us/products/cseif/vr-index.html>.
 “HDM/headset/VR-helmet Comparison Chart,” [retrieved Jun. 30, 2015] <URL: www.stereo3d.com/hdm.htm/#chart>.

* cited by examiner

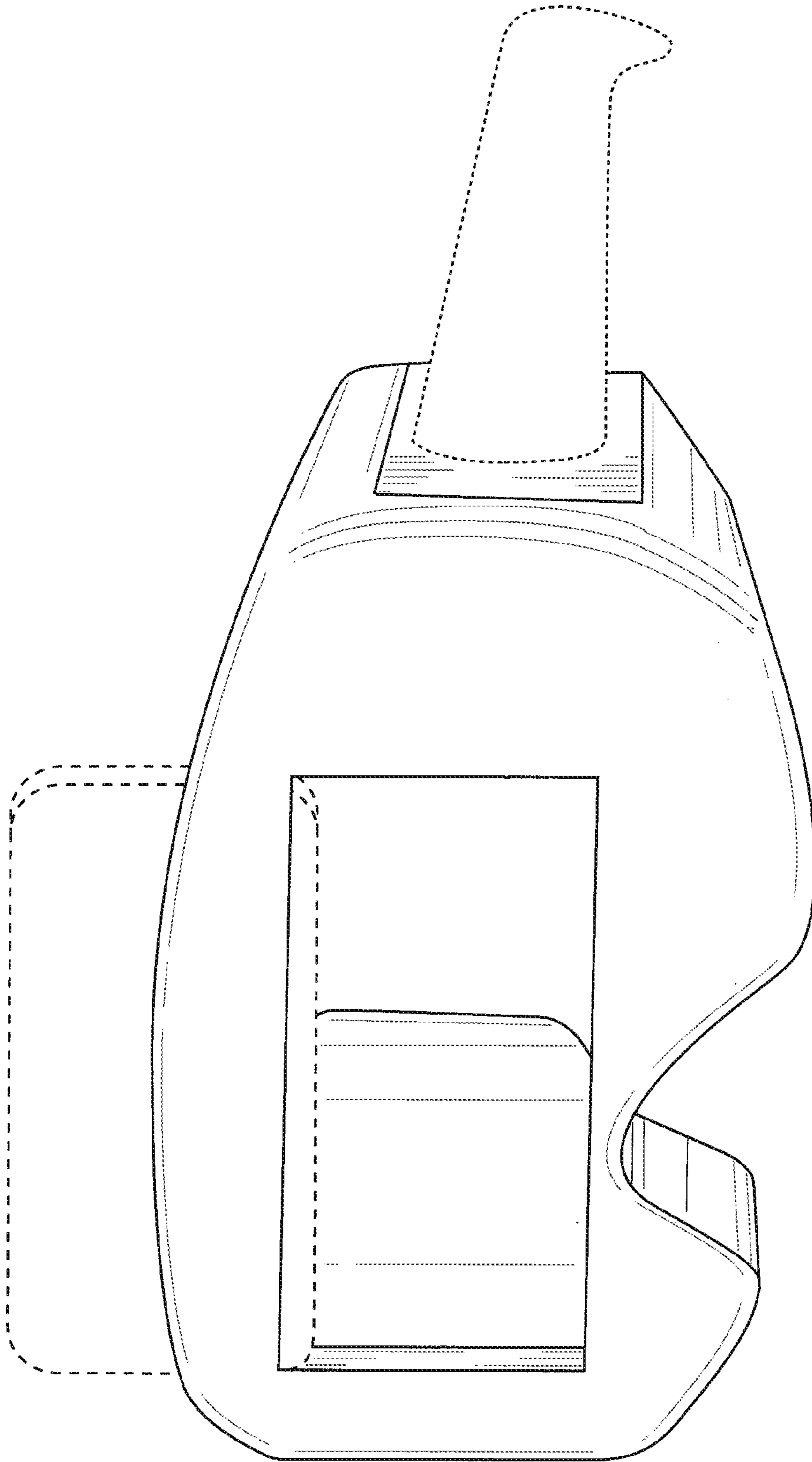


FIG. 1

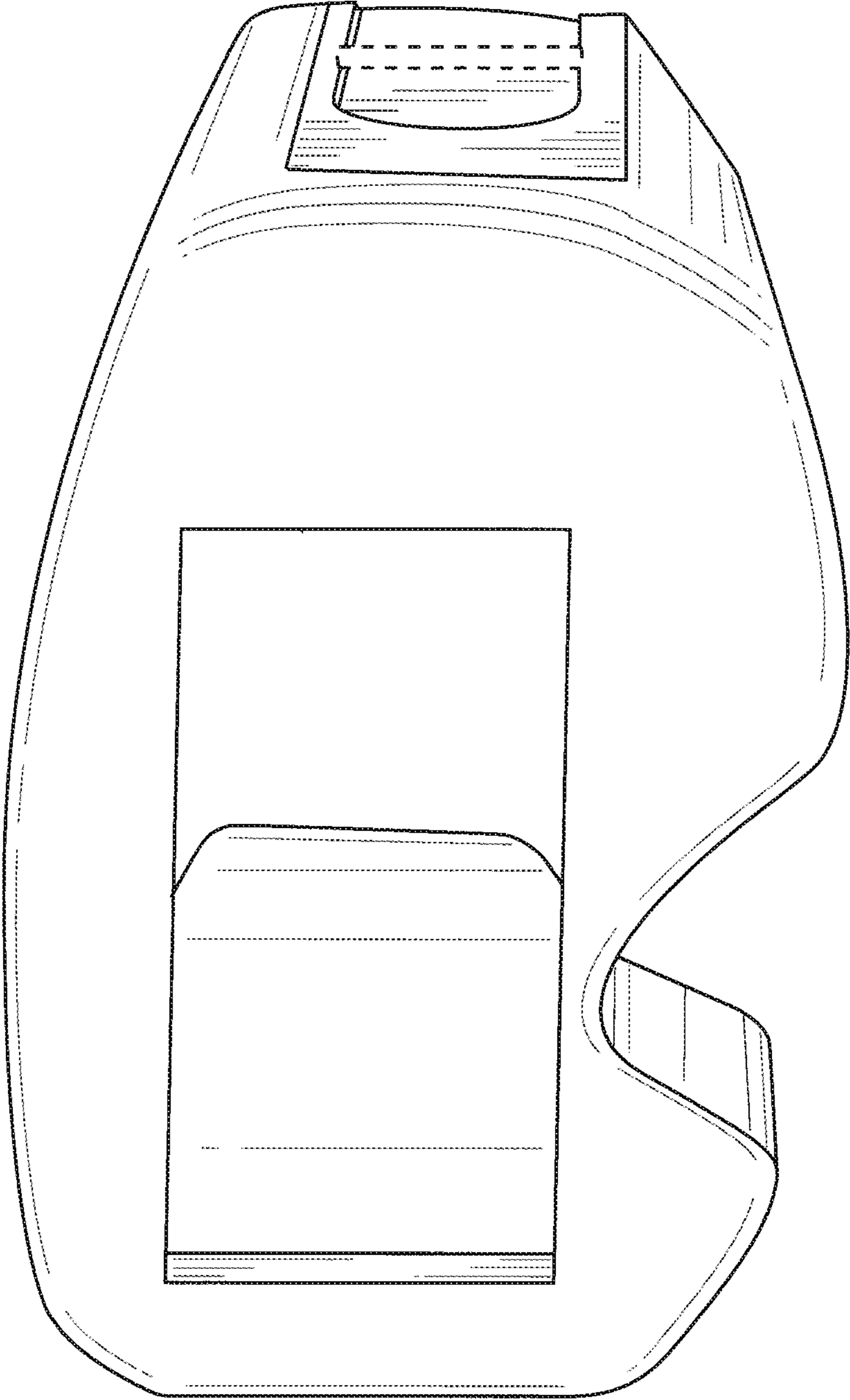


FIG. 2

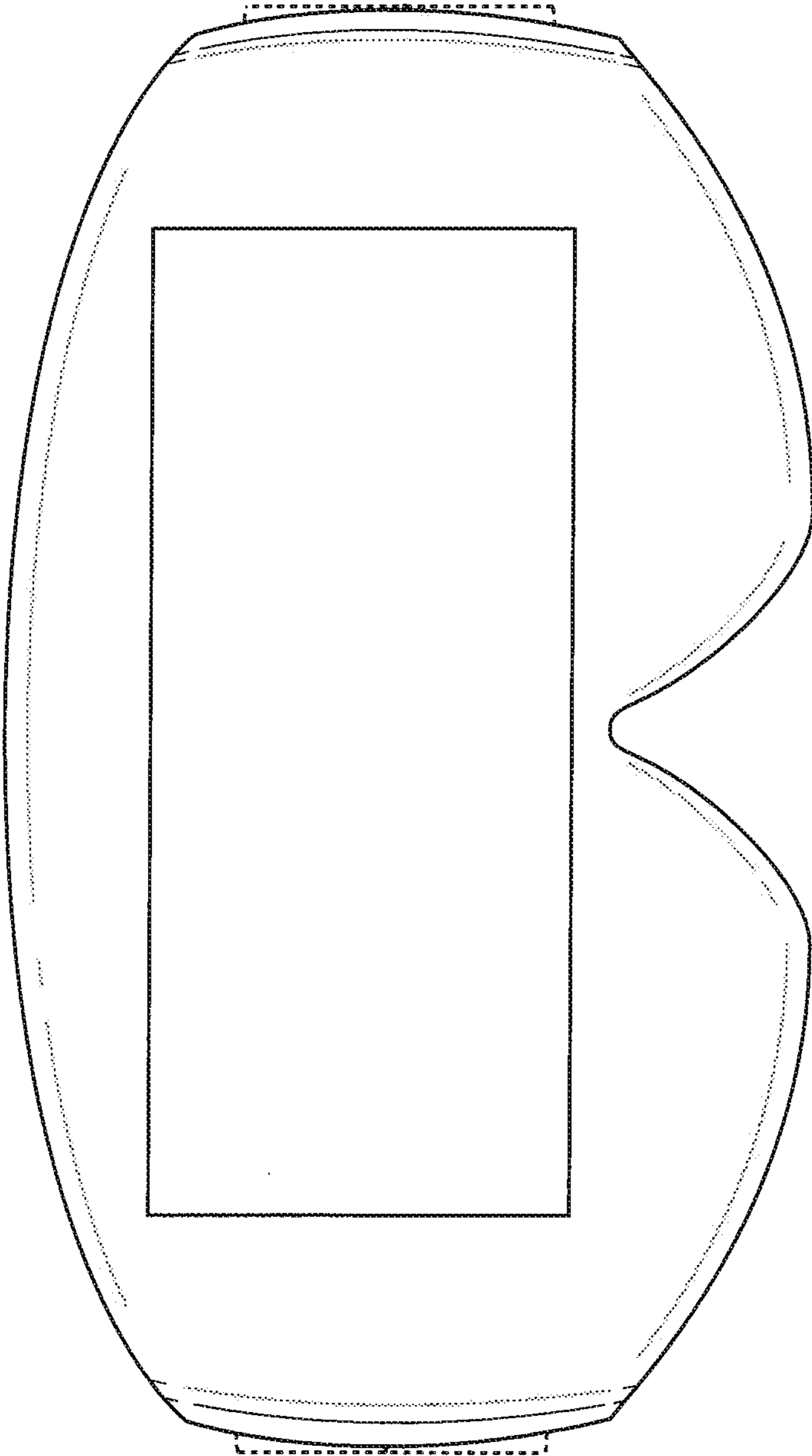


FIG. 3

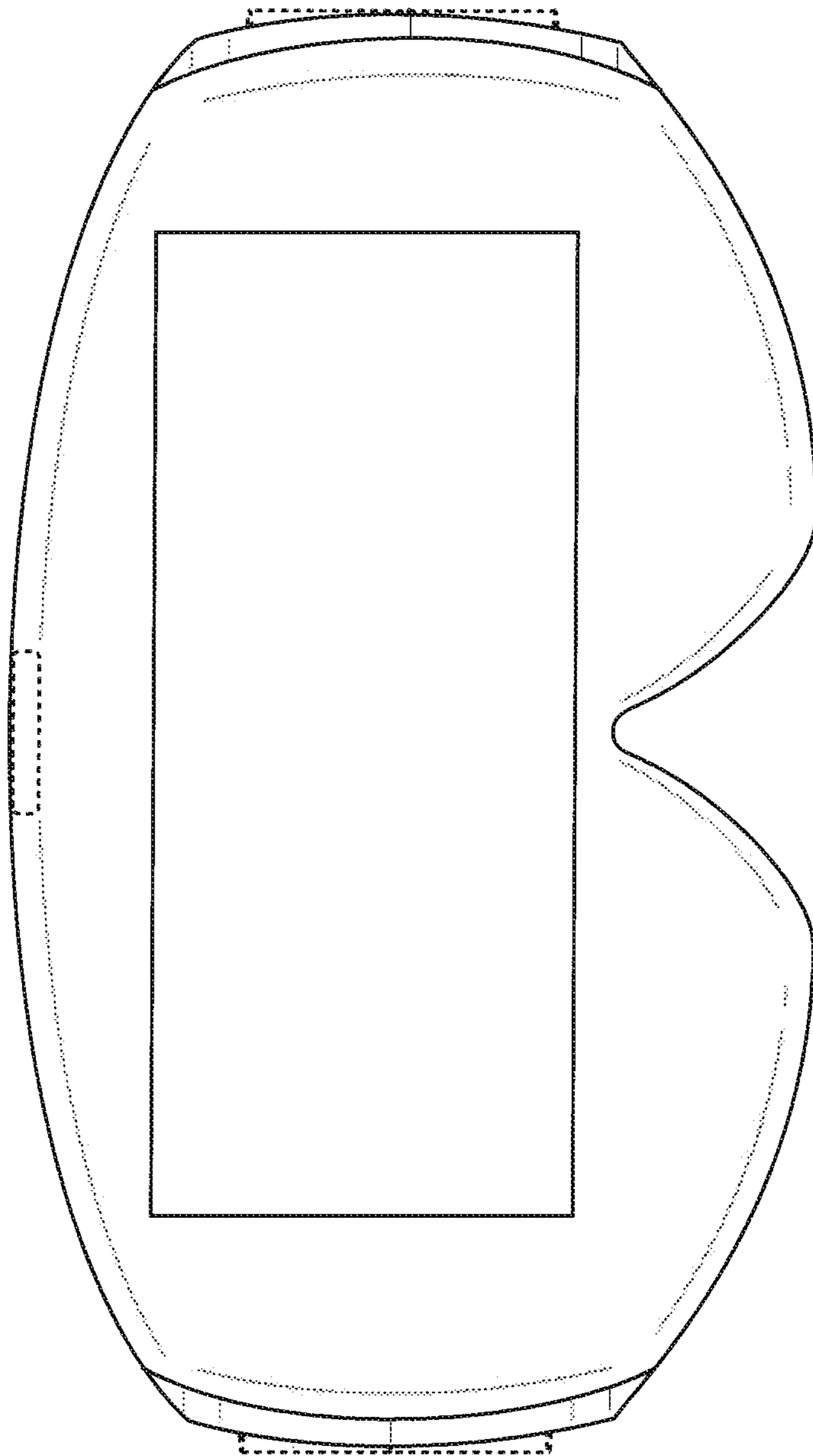


FIG. 4

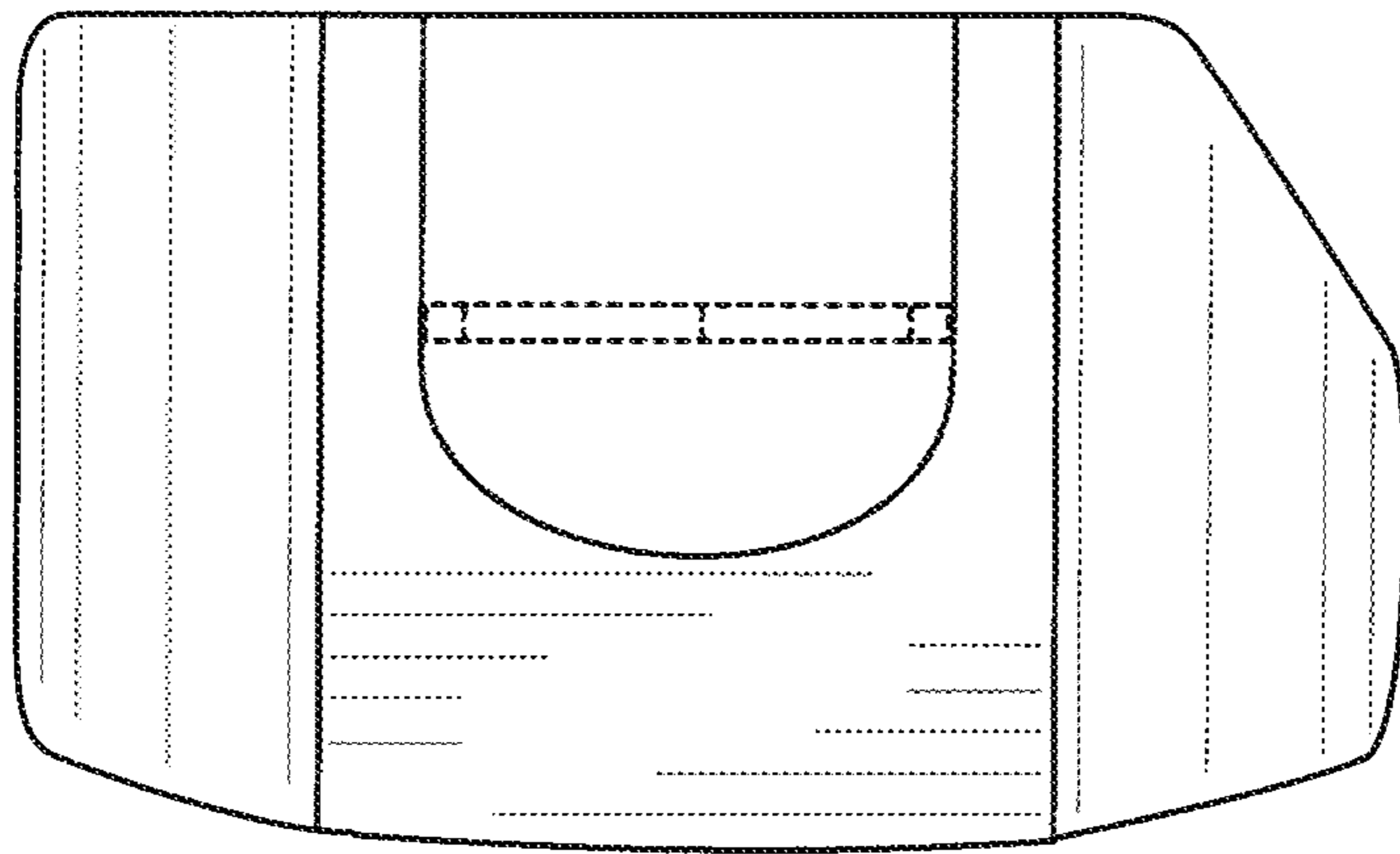


FIG. 5

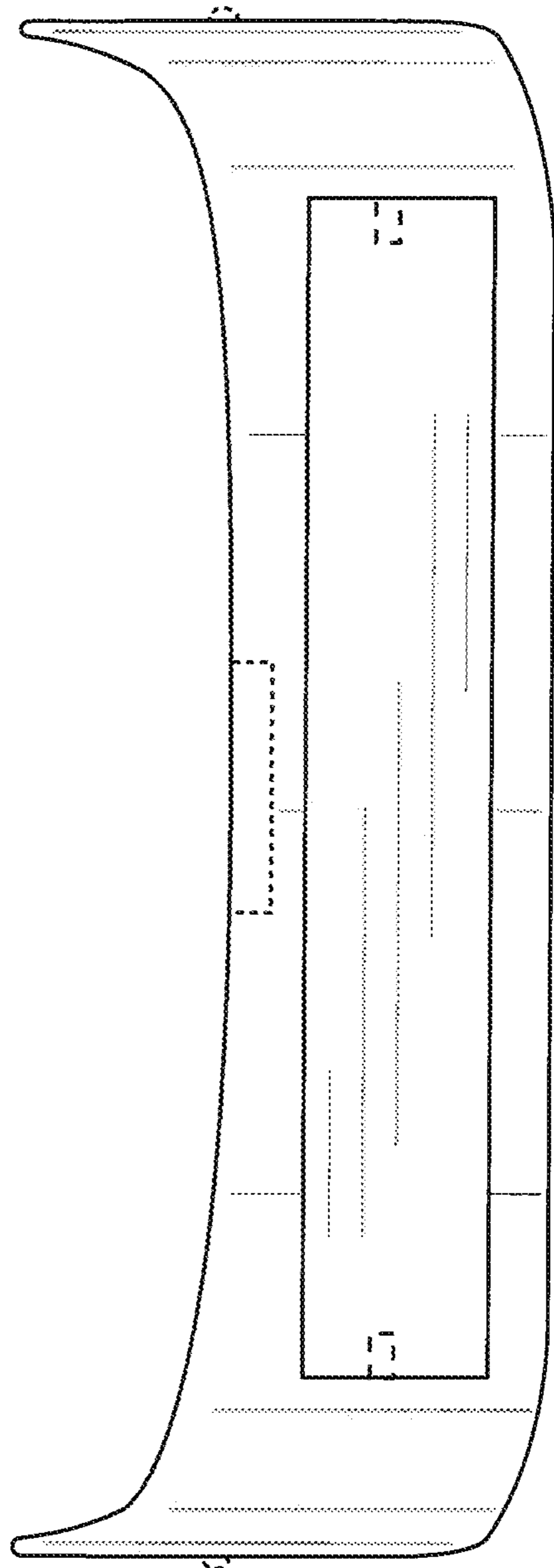


FIG. 6

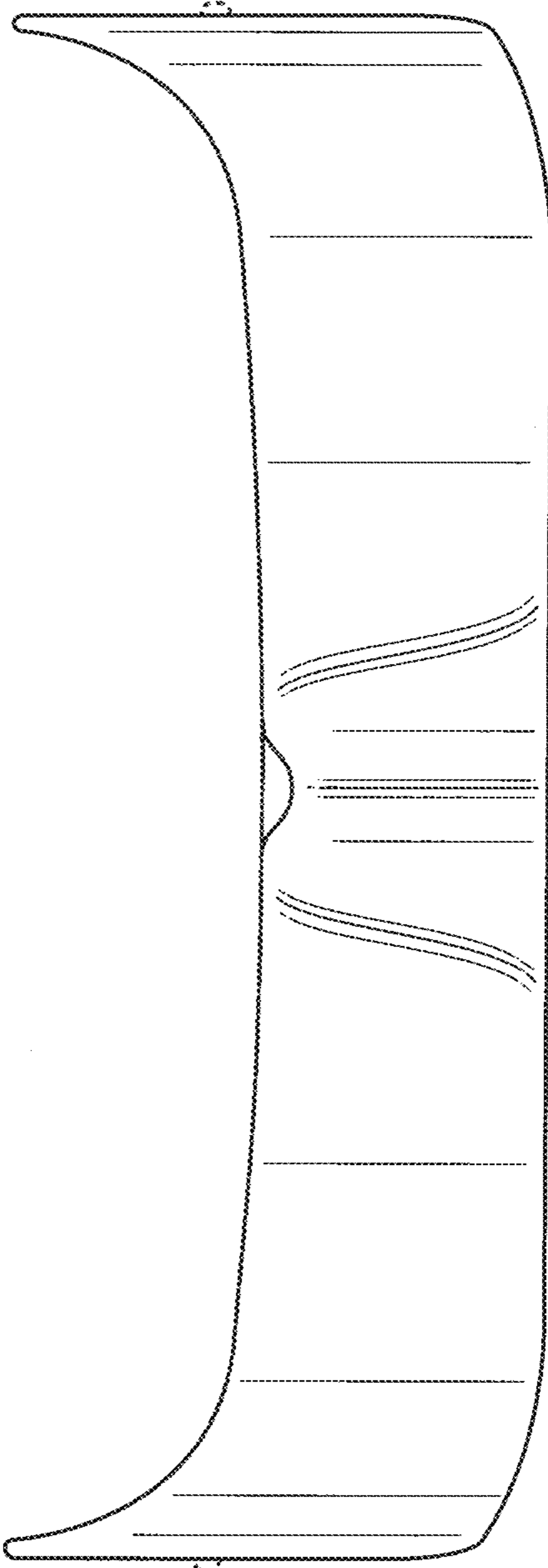


FIG. 7