



US00D765073S

(12) **United States Design Patent**
Niizawa

(10) **Patent No.:** **US D765,073 S**

(45) **Date of Patent:** **** Aug. 30, 2016**

(54) **DATA STORAGE DEVICE**

(75) Inventor: **Derek T. Niizawa**, Sunnyvale, CA (US)

(73) Assignee: **SanDisk Technologies LLC**, Plano, TX (US)

(**) Term: **14 Years**

(21) Appl. No.: **29/429,878**

(22) Filed: **Aug. 17, 2012**

(51) **LOC (10) Cl.** **14-02**

(52) **U.S. Cl.**
USPC **D14/356**

(58) **Field of Classification Search**
USPC D14/300–302, 314, 348–370, 383–385,
D14/435, 496, 125, 135, 155, 240–242,
D14/299; D3/273; D9/432; D10/65, 75, 78;
D13/103, 119, 162, 184, 199;
361/679.31–679.45; 312/223.2
CPC .. G11B 33/027; G11B 33/122; G11B 33/124;
G11B 33/022; G11B 33/025
See application file for complete search history.

(56) **References Cited**

U.S. PATENT DOCUMENTS

D21,168 S *	11/1891	Tenney	D9/432
D77,013 S *	11/1928	Liddell	D9/432
D217,853 S *	6/1970	Wernick et al.	D3/302
D318,656 S *	7/1991	Bowker et al.	D14/356
D321,178 S *	10/1991	Bowker et al.	D14/356
D350,136 S *	8/1994	Kim	D14/211
D368,031 S	3/1996	Chahed		
D375,943 S *	11/1996	Muenkel	D14/350
D389,464 S *	1/1998	Utsuki et al.	D14/308
D420,286 S *	2/2000	Simburger et al.	D9/431
D420,910 S	2/2000	Brown et al.		
D462,953 S *	9/2002	Jang	D14/299
6,583,991 B1	6/2003	Furuta et al.		
D491,563 S *	6/2004	Sato et al.	D14/433
D496,405 S	9/2004	Stewart et al.		

D503,197 S	3/2005	Stewart et al.		
D507,778 S *	7/2005	Fukunaga et al.	D13/121
D522,531 S *	6/2006	Solomon	D14/188
D526,648 S *	8/2006	Andre	D14/314
D537,817 S *	3/2007	Andre	D14/314
D540,318 S *	4/2007	Wang	D14/300
D541,274 S *	4/2007	Wang	D14/356
D548,731 S *	8/2007	Liu et al.	D14/240
D558,790 S *	1/2008	Yu et al.	D14/496
D583,666 S	12/2008	Coin		

(Continued)

OTHER PUBLICATIONS

DataStor Technology Co. Ltd @ Global Sources Online—Supplier Homepage, [online], [retrieved on Nov. 14, 2006]. Retrieved from the Internet <URL: http://datastor.manufacturer.globalsources.com/si/6008800307...Compact-Case-for/product_id-1002430427/action-GetProduct.htm>.*

(Continued)

Primary Examiner — Rosemary K Tarcza
Assistant Examiner — Nathaniel D Buckner
(74) *Attorney, Agent, or Firm* — Brinks Gilson & Lione

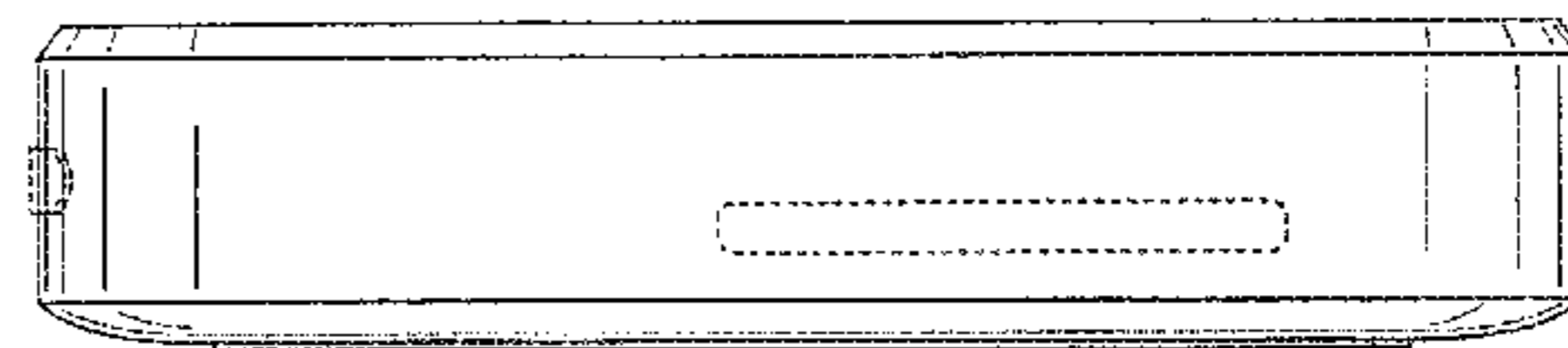
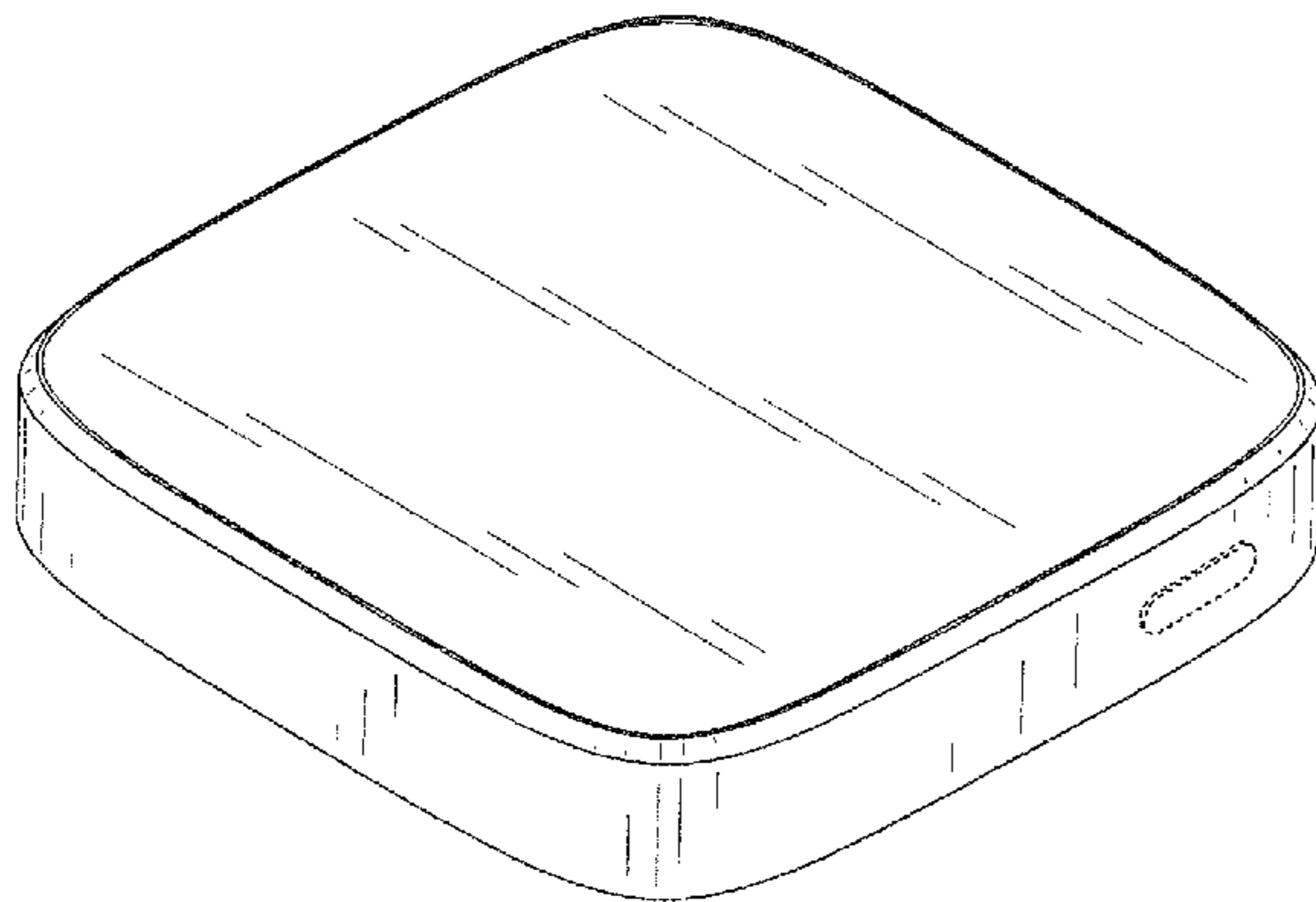
(57) **CLAIM**

The ornamental design for a data storage device, substantially as shown and described.

DESCRIPTION

FIG. 1 is a perspective view of a data storage device showing my design;
FIG. 2 is a front view thereof;
FIG. 3 is a rear view thereof;
FIG. 4 is a bottom view thereof;
FIG. 5 is a top view thereof;
FIG. 6 is a right-side view thereof; and,
FIG. 7 is a left-side view thereof.
The broken lines show environment, are for illustrative purposes only, and form no part of the claimed design.

1 Claim, 3 Drawing Sheets



(56)

References Cited

U.S. PATENT DOCUMENTS

D590,827 S	*	4/2009	Song	D14/356
D594,874 S		6/2009	Sheba et al.		
D594,875 S		6/2009	Sheba et al.		
D597,850 S		8/2009	Quick et al.		
D601,583 S	*	10/2009	Andre	D14/496
D601,980 S	*	10/2009	Ogawa	D14/125
D613,799 S		4/2010	Clemons et al.		
D626,100 S	*	10/2010	Huang	D14/125
D641,327 S	*	7/2011	Falakfarsa et al.	D14/125
D641,362 S	*	7/2011	Dublin	D14/356
D641,363 S	*	7/2011	Dublin	D14/356
D643,427 S	*	8/2011	McGoldrick et al.	D14/356
D648,298 S	*	11/2011	Pierce et al.	D14/138 G
D648,689 S	*	11/2011	Mehlsen	D14/125
D650,383 S	*	12/2011	Utsuki et al.	D14/364
D650,394 S	*	12/2011	Seoc et al.	D14/496
D650,995 S		12/2011	Davis et al.		
D651,810 S		1/2012	Davis et al.		
D653,662 S	*	2/2012	Park	D14/240
D667,005 S	*	9/2012	Lutz	D14/314
D678,335 S		3/2013	Lee et al.		
D684,971 S	*	6/2013	Chang	D14/365
D686,201 S	*	7/2013	Lee	D14/314
D687,068 S	*	7/2013	Paradise et al.	D14/496
D689,485 S	*	9/2013	Chong et al.	D14/366
D689,860 S	*	9/2013	Chong et al.	D14/368
D690,694 S		10/2013	Utsuki et al.		
D693,806 S		11/2013	Shim et al.		
D693,807 S		11/2013	Shim et al.		
D703,669 S		4/2014	Niizawa		
D718,734 S		12/2014	Lockenwitz		

OTHER PUBLICATIONS

External Hard Drives—Toys and Gadgets | News | Reviews | Videos, [online] Sep. 27, 2008 [retrieved on Nov. 25, 2008]. Retrieved from the Internet <URL: <http://www.toysgadget.com/gadgets-and-toys/external-hard-drives>>.*

Samsung HX-M320TAB/G smg m2 portable3 320gb usb3 brown black | External HDD | Peripherals | Computing | Katalogas | electronics—BalticMart, [online], [retrieved on Jul. 1, 2013]. Retrieved from the Internet <URL: http://www.electronics.balticmart.eu/index.php?mact=Products%2Ccntnt01%2Cdetails%2C0&cntnt01productid=186430&hl=en_US>.*

Toshiba Keeps Backup Simple with Canvio Basics Portable Hard Drive—HotHardware, Web Archive [online] Oct. 9, 2010 [retrieved on Feb. 20, 2013]. Retrieved from the Internet <URL: <http://web.archive.org/web/20101009043847/http://hothardware.com/News/Toshiba-Keeps-Backup-Simple-with-Canvio-Basics-Portable-Hard-Drive/>>.*

U.S. Appl. No. 29/429,879 entitled, “Data Storage Device with Ornamentation”, inventor: Derek T. Niizawa, filed Aug. 17, 2012, 8 pages. Restriction Requirement for U.S. Appl. No. 29/429,879, dated Jul. 11, 2013, 7 pages.

Hitachi Aims to Cut Enterprise Storage Costs with Unified Storage—IT News from V3.co.uk, [online] Apr. 25, 2012 [retrieved on Jun. 26, 2013]. Retrieved from the Internet <URL: <http://www.v3.co.uk/v3-uk/news/2170357/hitachi-aims-cut-enterprise-storage-costs-unified-storage>>.

Hitachi HUS VM Brings Virtual Storage Benefits to Smaller Companies—IT News from V3.co.uk, [online] Sep. 25, 2012 [retrieved on Jun. 26, 2013]. Retrieved from the Internet: <URL: <http://www.v3.co.uk/v3-uk/news/2207676/hitachi-hus-vm-brings-virtual-storage-benefits-to-smaller-companies>>.

Office Action for U.S. Appl. No. 29/429,879 dated Oct. 7, 2013, 5 pages.

Notice of Allowance for U.S. Appl. No. 29/429,879 dated Feb. 12, 2014, 5 pages.

Notice of Allowance for U.S. Appl. No. 29/429,879 dated Mar. 5, 2015, 2 pages.

Notice of Allowance for U.S. Appl. No. 29/483,597 dated Mar. 11, 2015, 6 pages.

“SanDisk Connect Wireless Media Drive Review”, StorageReview.com-Storage Reviews, [online] Jul. 30, 2013 [retrieved on Feb. 24, 2015]. Retrieved from the Internet <URL: http://www.storagereview.com/sandisk_connect_wireless_media_drive_review>.

* cited by examiner

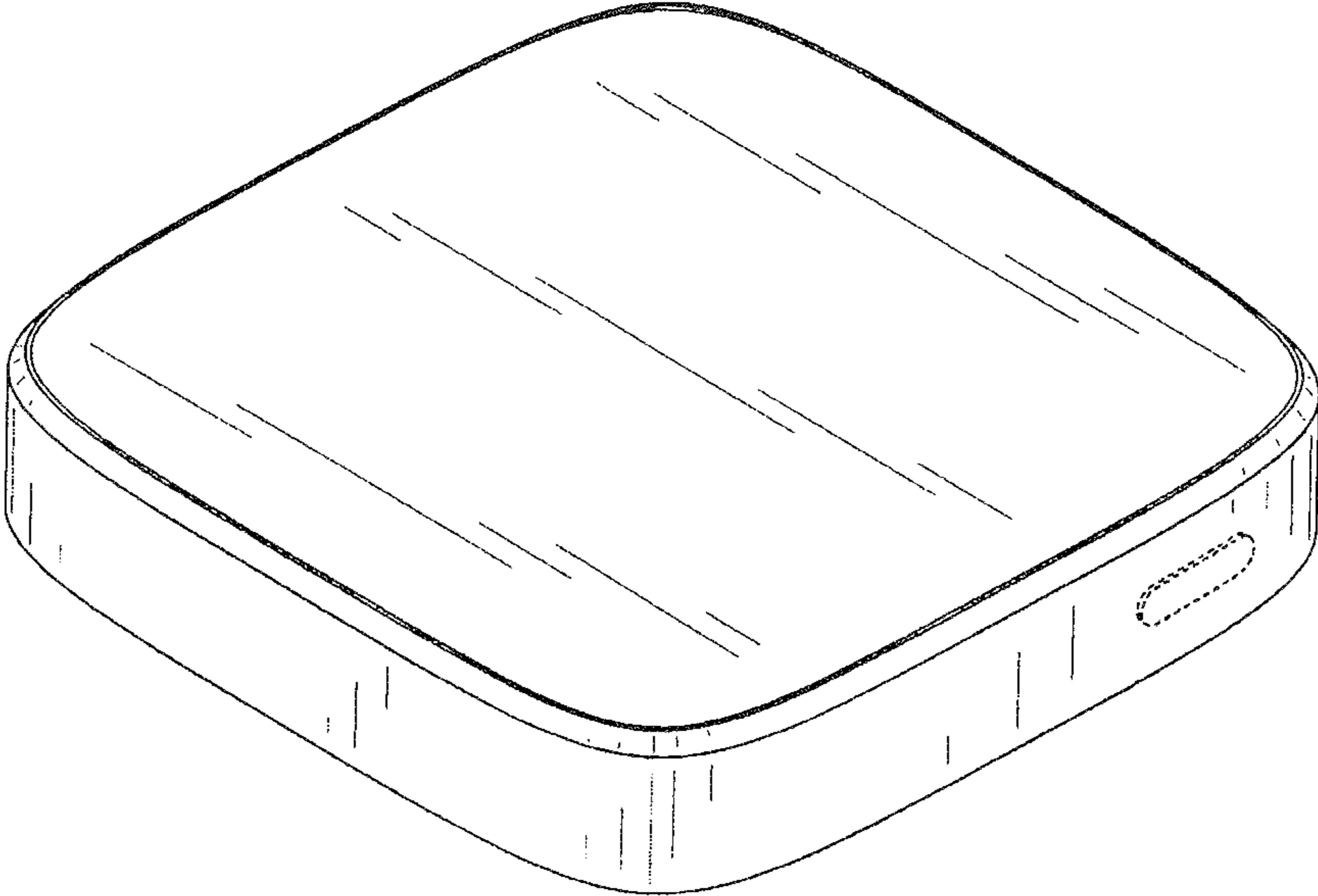


FIG. 1

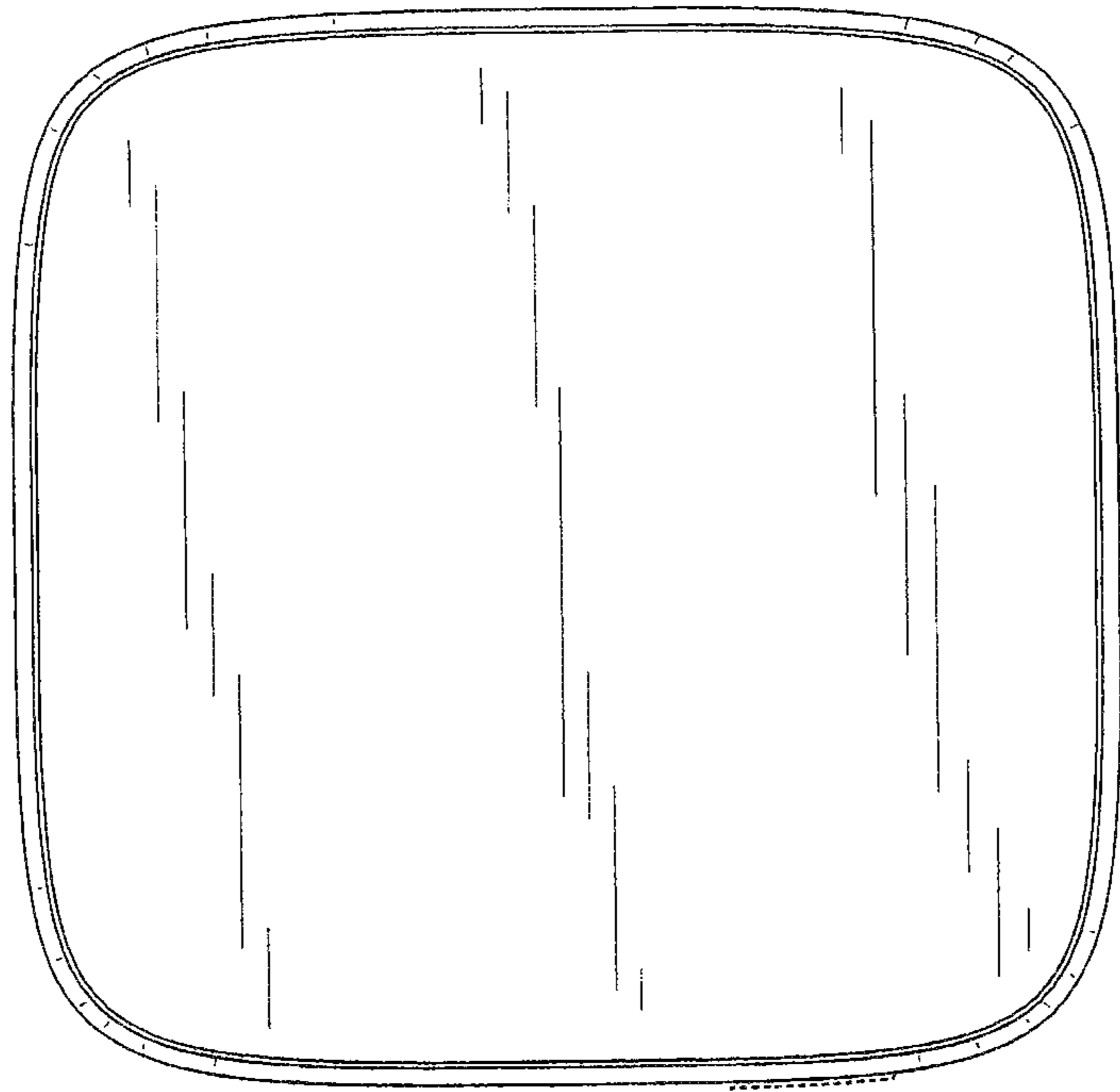


FIG. 2

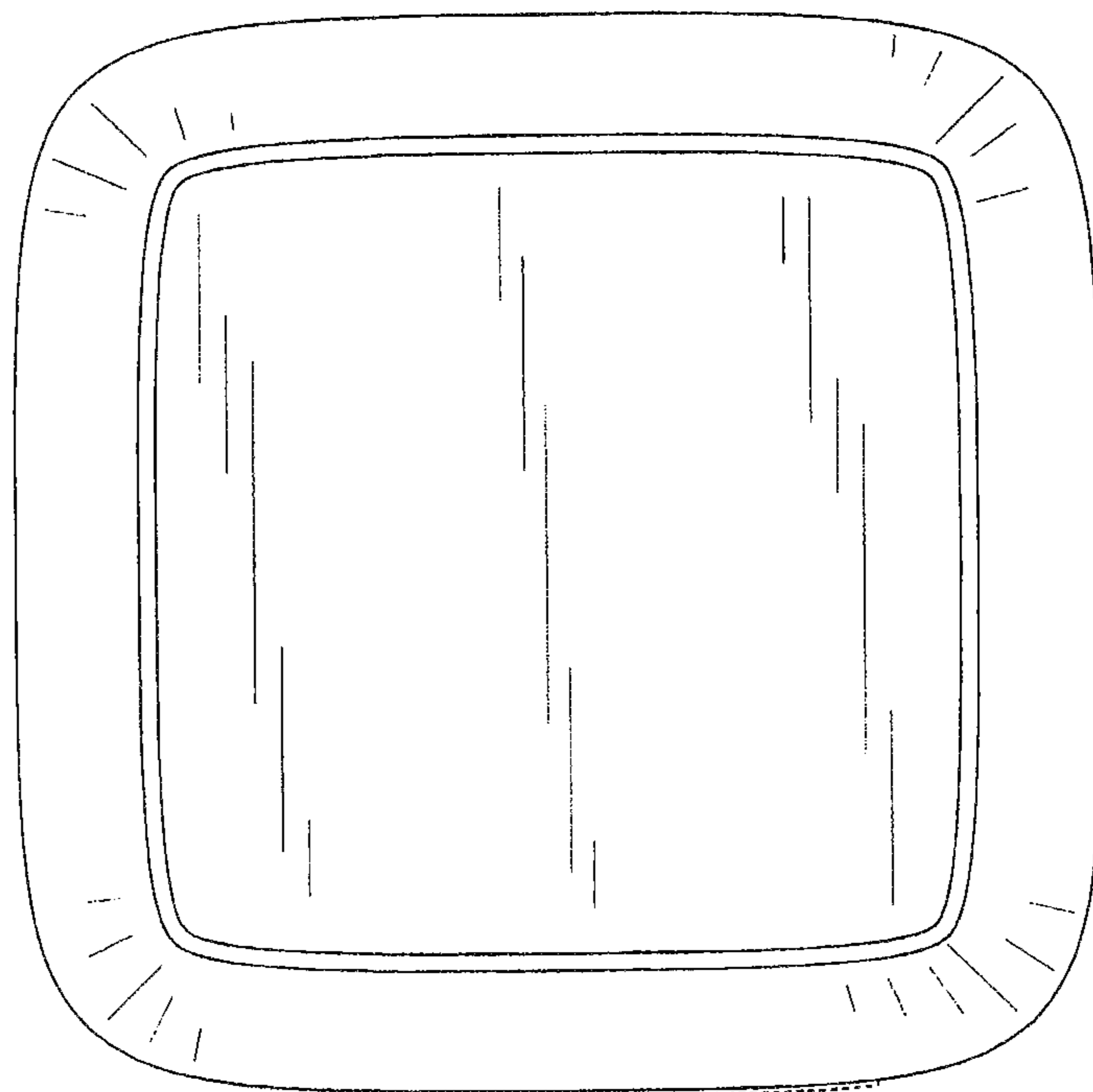


FIG. 3

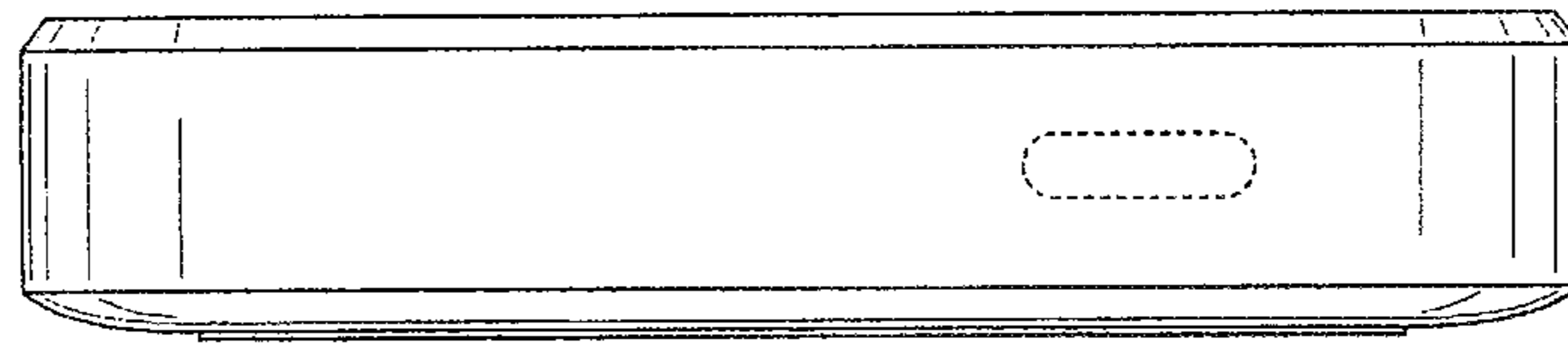


FIG. 4

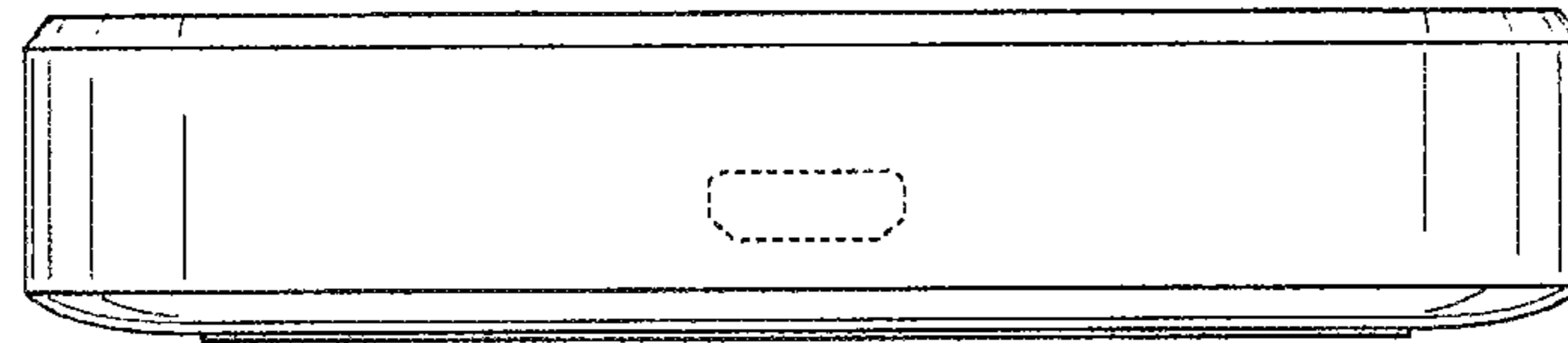


FIG. 5

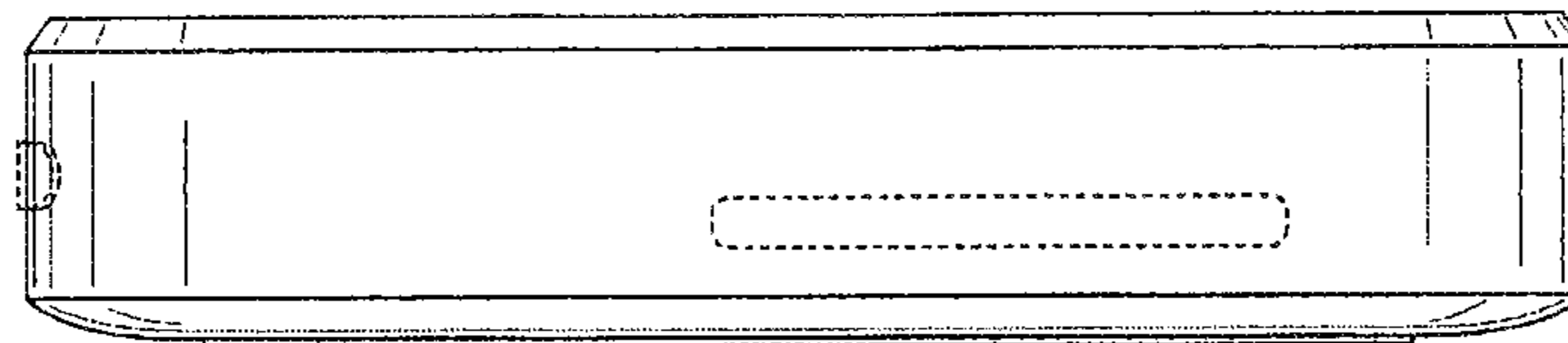


FIG. 6

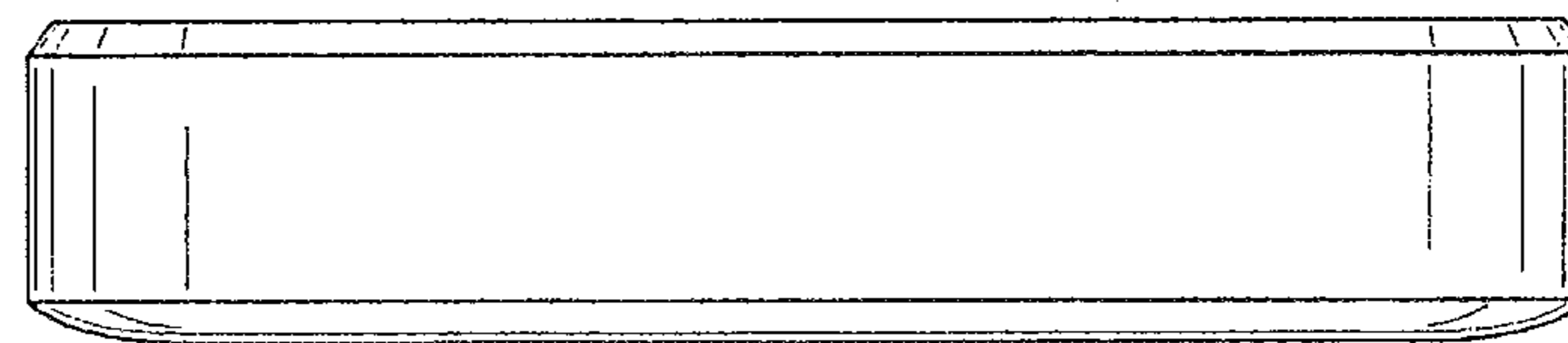


FIG. 7