



US00D765070S

(12) **United States Design Patent**
Franklin

(10) **Patent No.:** **US D765,070 S**

(45) **Date of Patent:** **** Aug. 30, 2016**

(54) **MOUNTING APPARATUS**

(71) Applicant: **L. Christopher Franklin,**
Lawrenceville, GA (US)

(72) Inventor: **L. Christopher Franklin,**
Lawrenceville, GA (US)

(**) Term: **14 Years**

(21) Appl. No.: **29/502,263**

(22) Filed: **Sep. 12, 2014**

Related U.S. Application Data

(63) Continuation of application No. 14/209,534, filed on
Mar. 13, 2014.

(51) **LOC (10) Cl.** **14-03**

(52) **U.S. Cl.**
USPC **D14/253; D14/447**

(58) **Field of Classification Search**

USPC D14/253, 432, 434, 440, 447, 439, 451,
D14/452, 457, 250, 251; D12/415, 114,
D12/420, 417, 223; D6/406.3, 406.4, 406.5,
D6/406.6; D3/218

CPC H04M 1/04; H04M 1/06; H04M 1/11;
H04M 1/12; F16M 13/00; B60R 11/00;
B60R 11/02

See application file for complete search history.

(56) **References Cited**

U.S. PATENT DOCUMENTS

D136,413	S	*	9/1943	White	D11/218
D136,589	S	*	11/1943	White	D11/218
2,470,927	A	*	5/1949	Hale, Jr.	F16B 5/0208 411/353
D230,254	S	*	2/1974	Smith	D8/399
D249,262	S	*	9/1978	Neece	D12/415
D287,187	S	*	12/1986	Olson	D11/218
D566,118	S	*	4/2008	Brassard	D14/434
D661,482	S	*	6/2012	Chang	D3/218
D677,261	S	*	3/2013	Hsu	D14/447
D683,348	S	*	5/2013	Xiang	D14/447
D690,707	S	*	10/2013	Minn	D14/447

(Continued)

OTHER PUBLICATIONS

<http://store.apple.com/us/product/HFQS2ZM/A/kenu-airframe-portable-car-vent-mount-for-iphone?fnode=79>.

(Continued)

Primary Examiner — Susan Bennett Hattan

Assistant Examiner — Janice Hallmark

(57) **CLAIM**

The ornamental design for a mounting apparatus, as shown and described.

DESCRIPTION

FIG. 1 is a perspective front view of a first embodiment of a mounting apparatus;

FIG. 2 is a front elevation view of the first embodiment thereof;

FIG. 3 is a rear elevation view of the first embodiment thereof;

FIG. 4 is a left side elevation view of the first embodiment thereof; the right side elevation view being a mirror image thereof;

FIG. 5 is a top elevation view of the first embodiment thereof; the bottom elevation view being a mirror image thereof;

FIG. 6 is a perspective front view of a second embodiment of a mounting apparatus;

FIG. 7 is a front elevation view of the second embodiment thereof;

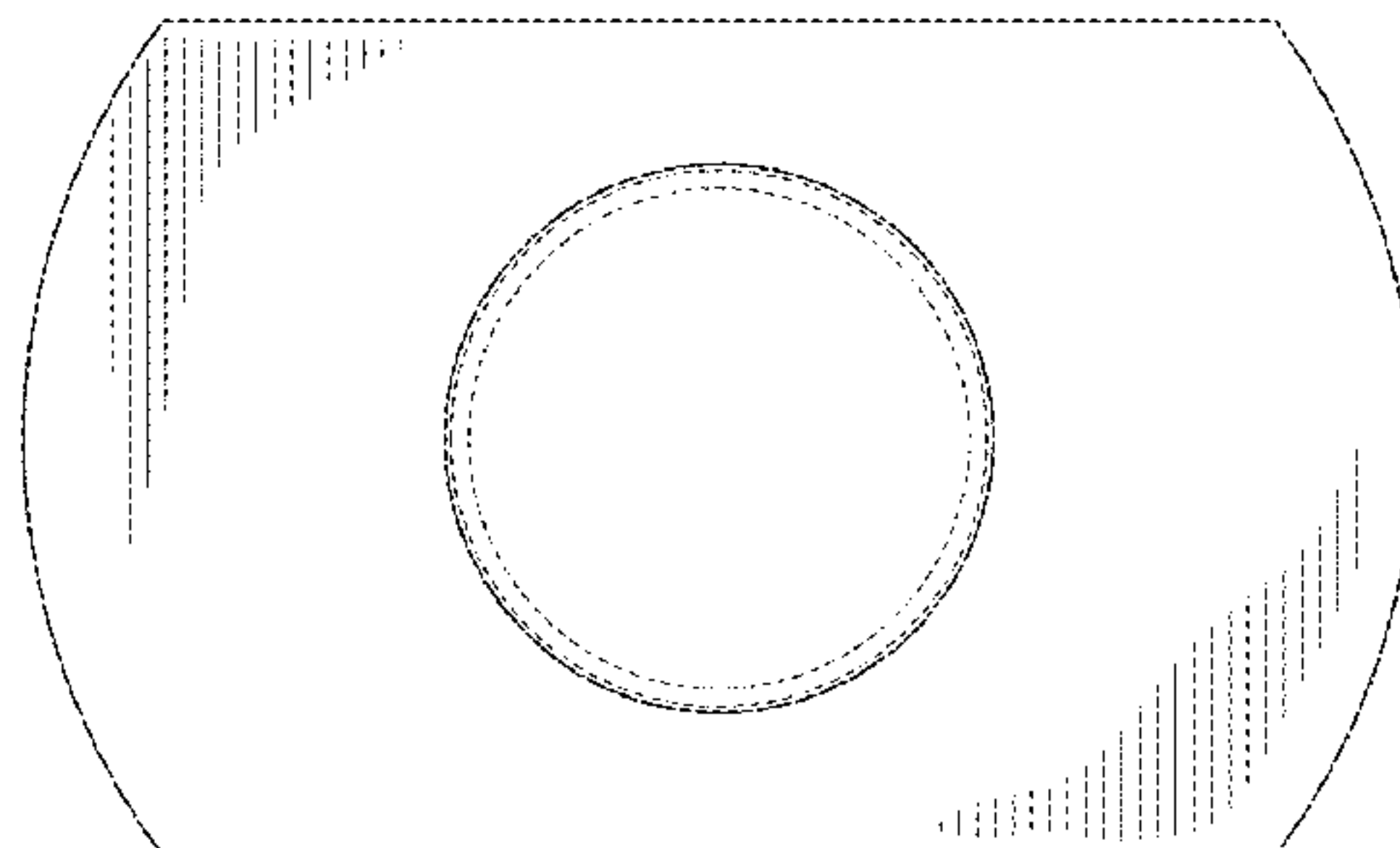
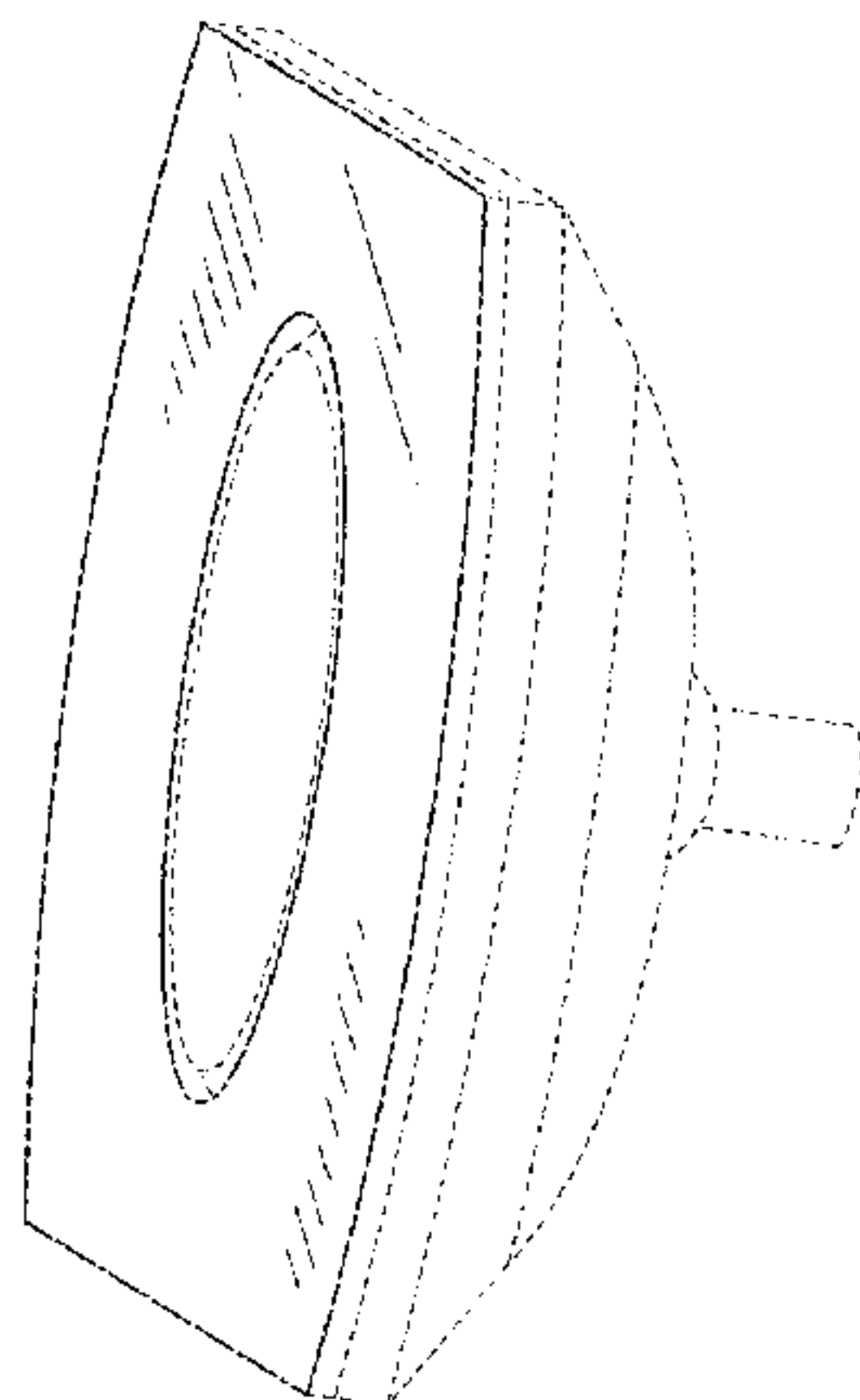
FIG. 8 is a rear elevation view of the second embodiment thereof;

FIG. 9 is a left side elevation view of the second embodiment thereof; the right side elevation view being a mirror image thereof; and,

FIG. 10 is a top elevation view of the second embodiment thereof; the bottom elevation view being a mirror image thereof.

The broken lines shown in the drawings that illustrate portions of the mounting apparatus form no part of the claimed design.

1 Claim, 4 Drawing Sheets



(56)

References Cited

U.S. PATENT DOCUMENTS

D692,010 S * 10/2013 Verghese D14/447
D694,241 S * 11/2013 Cho D14/432
D697,920 S * 1/2014 Fujioka D14/447
D712,394 S * 9/2014 Booth D14/253
D717,306 S * 11/2014 Clouser D14/447
D741,311 S * 10/2015 Kim D14/250
D741,312 S * 10/2015 Kim D14/250

D749,596 S * 2/2016 Khodapanah D14/447
2014/0138419 A1* 5/2014 Minn B60R 11/0241
224/567
2014/0263908 A1* 9/2014 Franklin F16M 13/02
248/309.4

OTHER PUBLICATIONS

<http://www.otterbox.com/agility-series/agility-series,default.pg.html>.

* cited by examiner

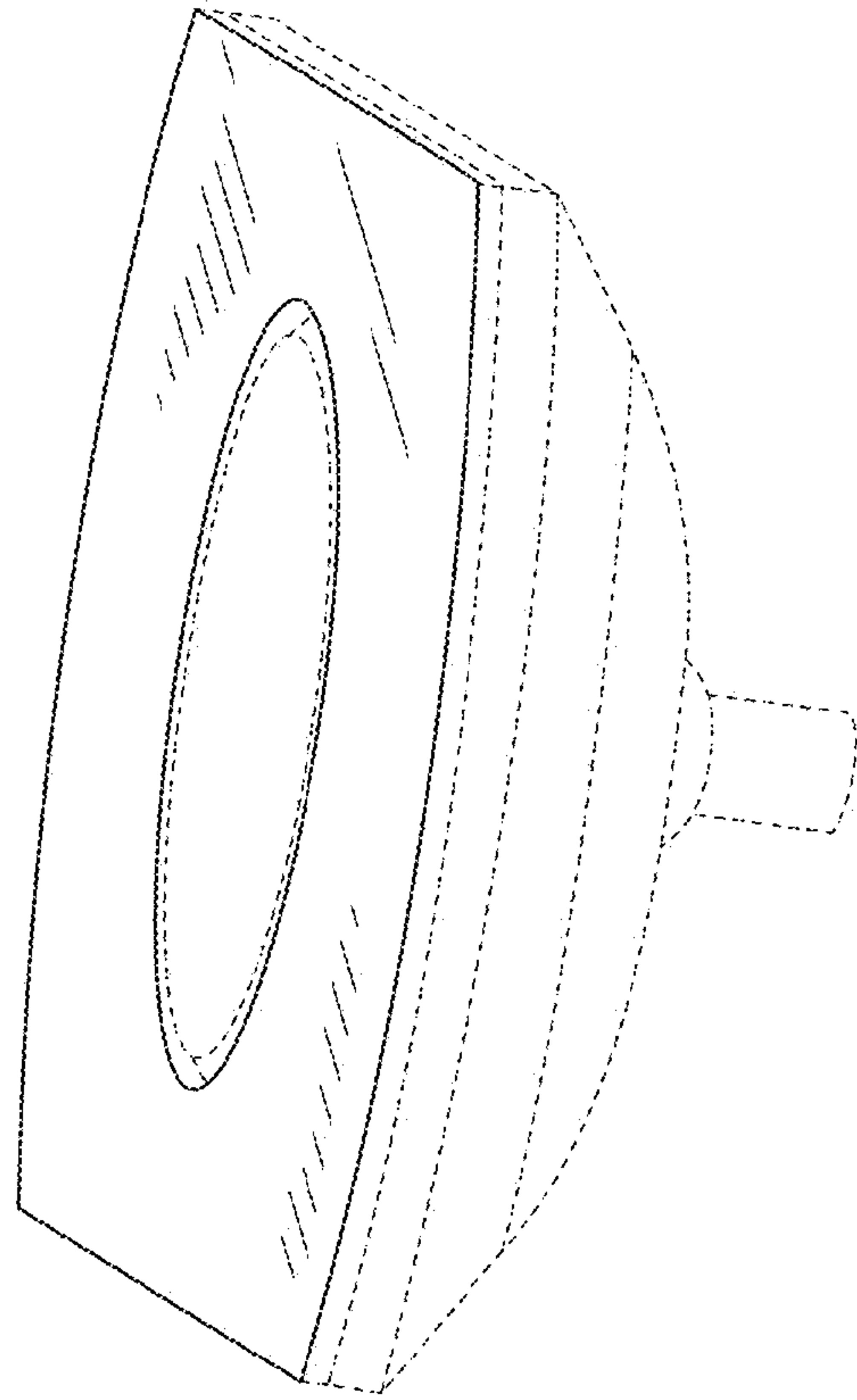


FIG. 1

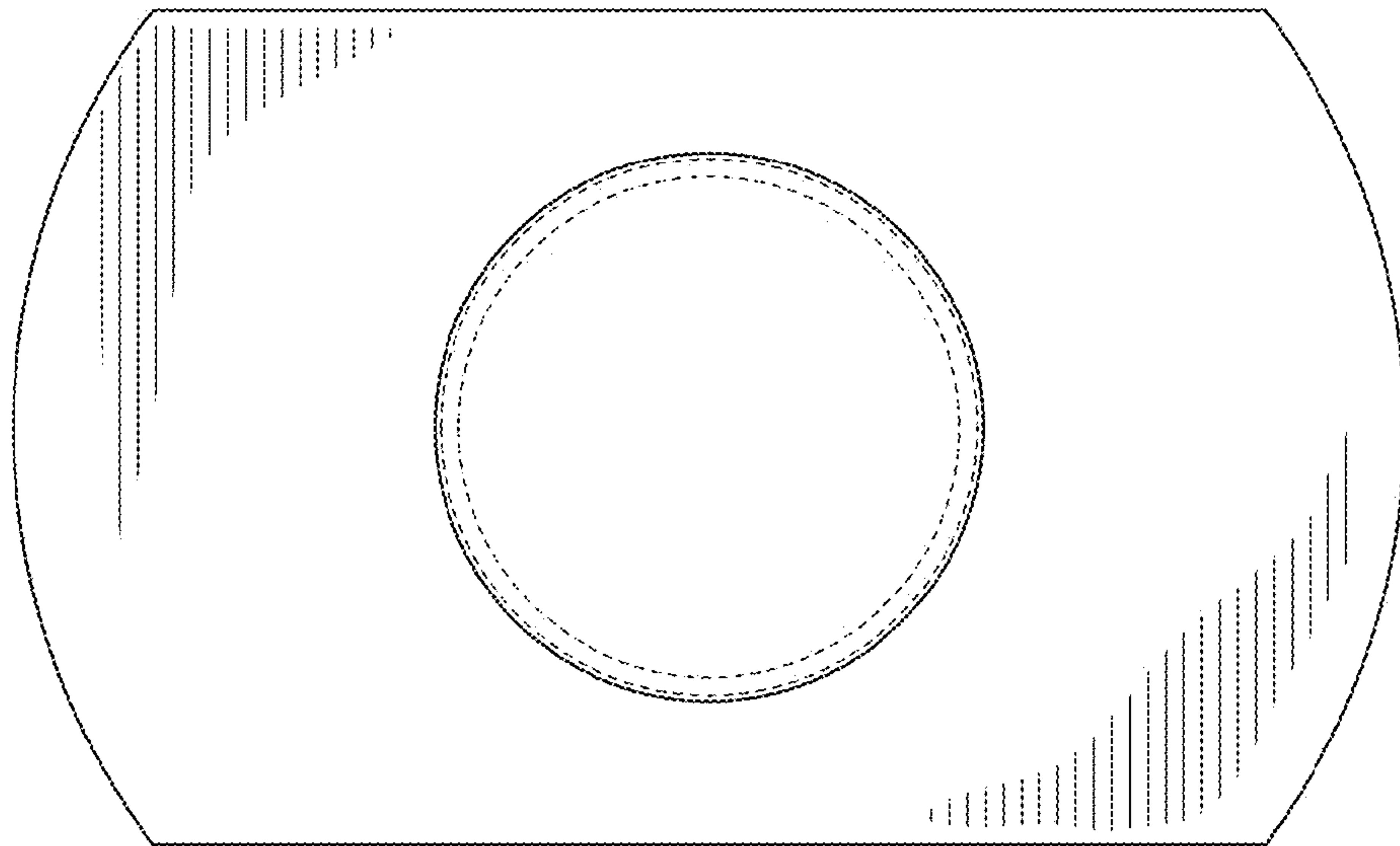


FIG. 2

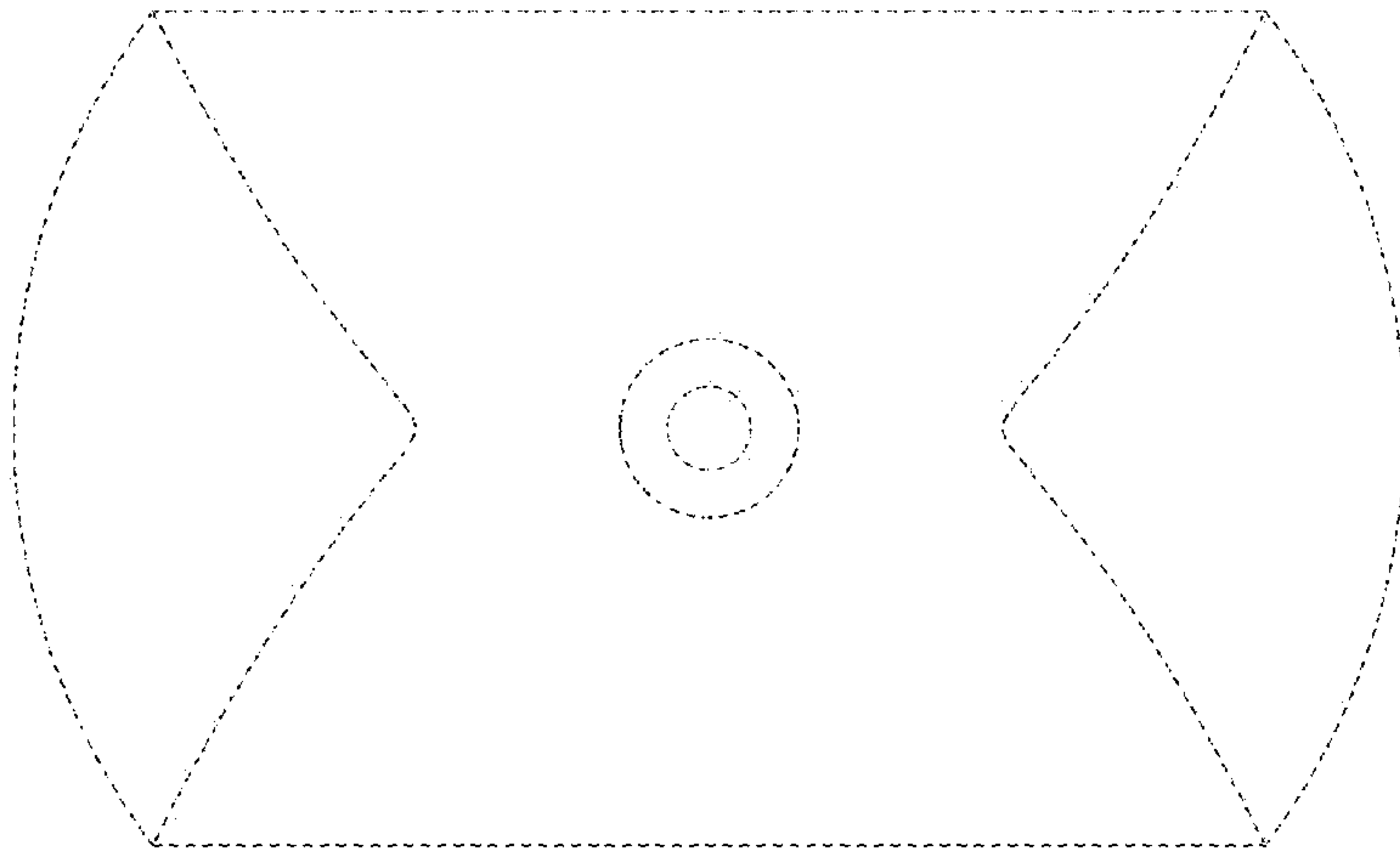


FIG. 3

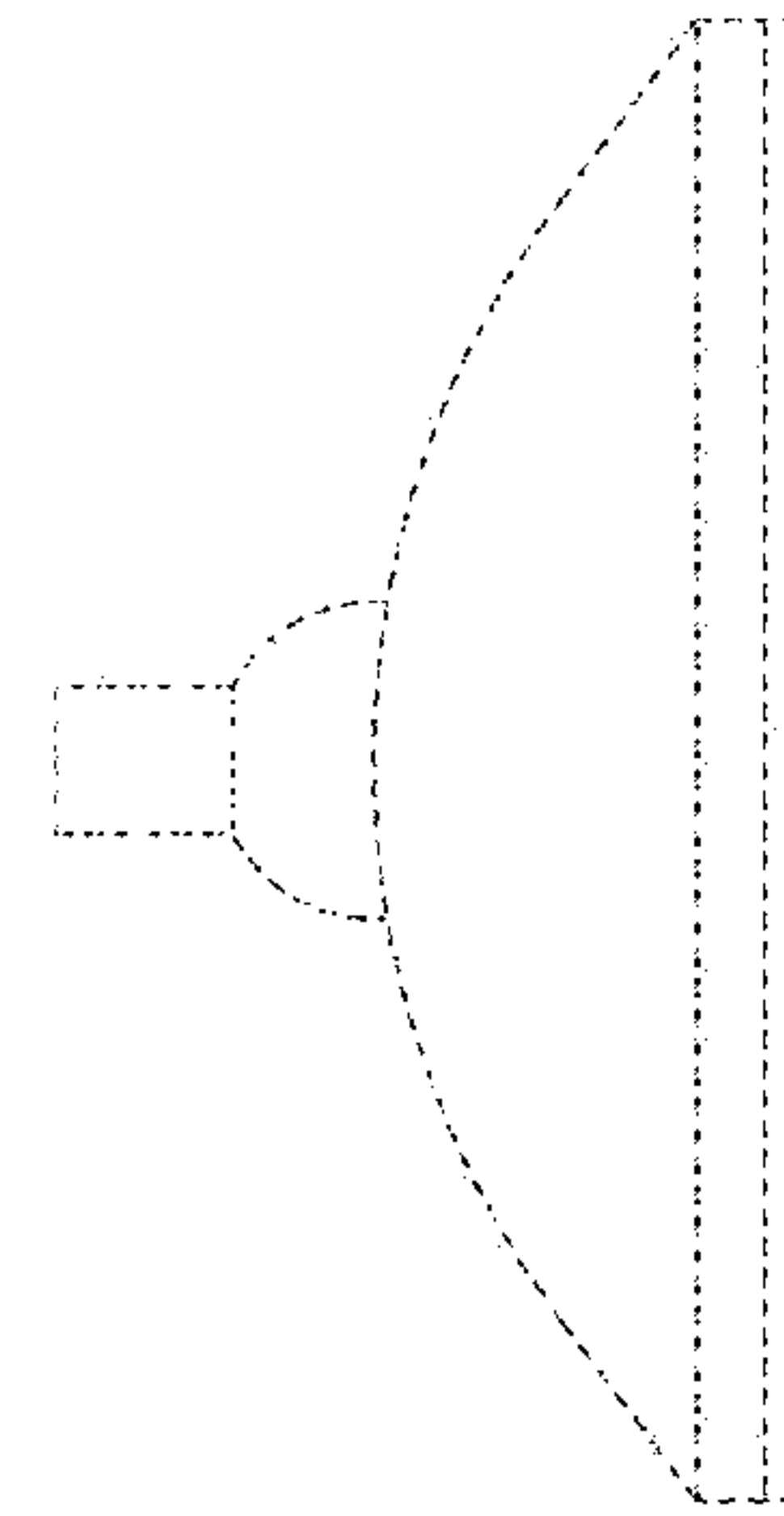


FIG. 4

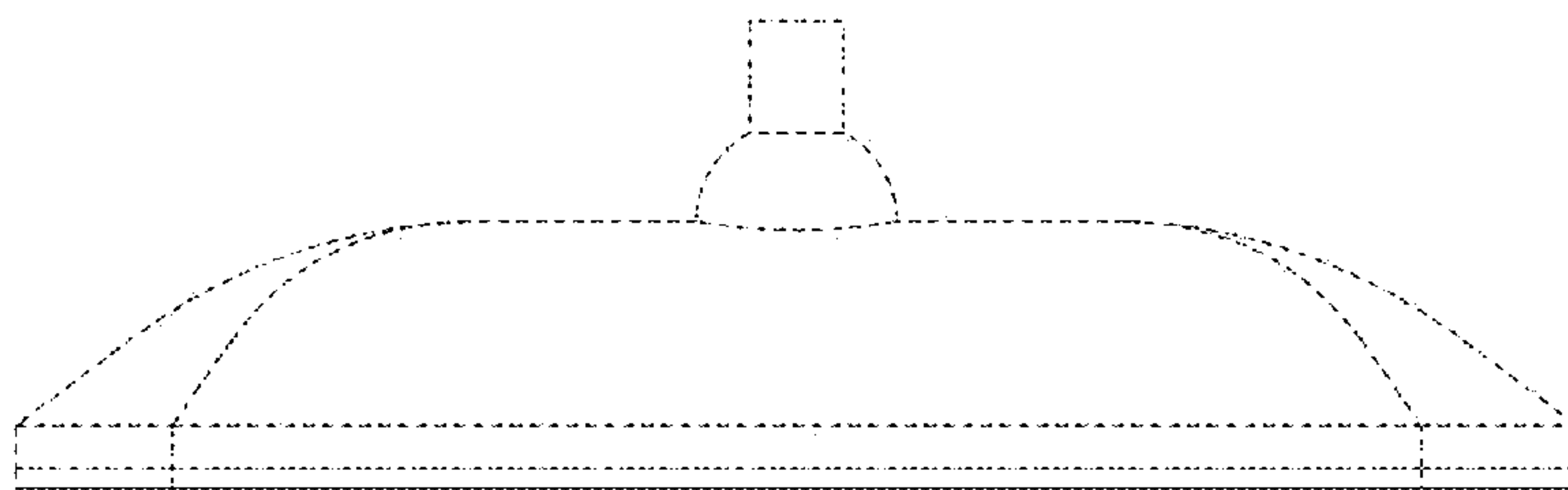


FIG. 5

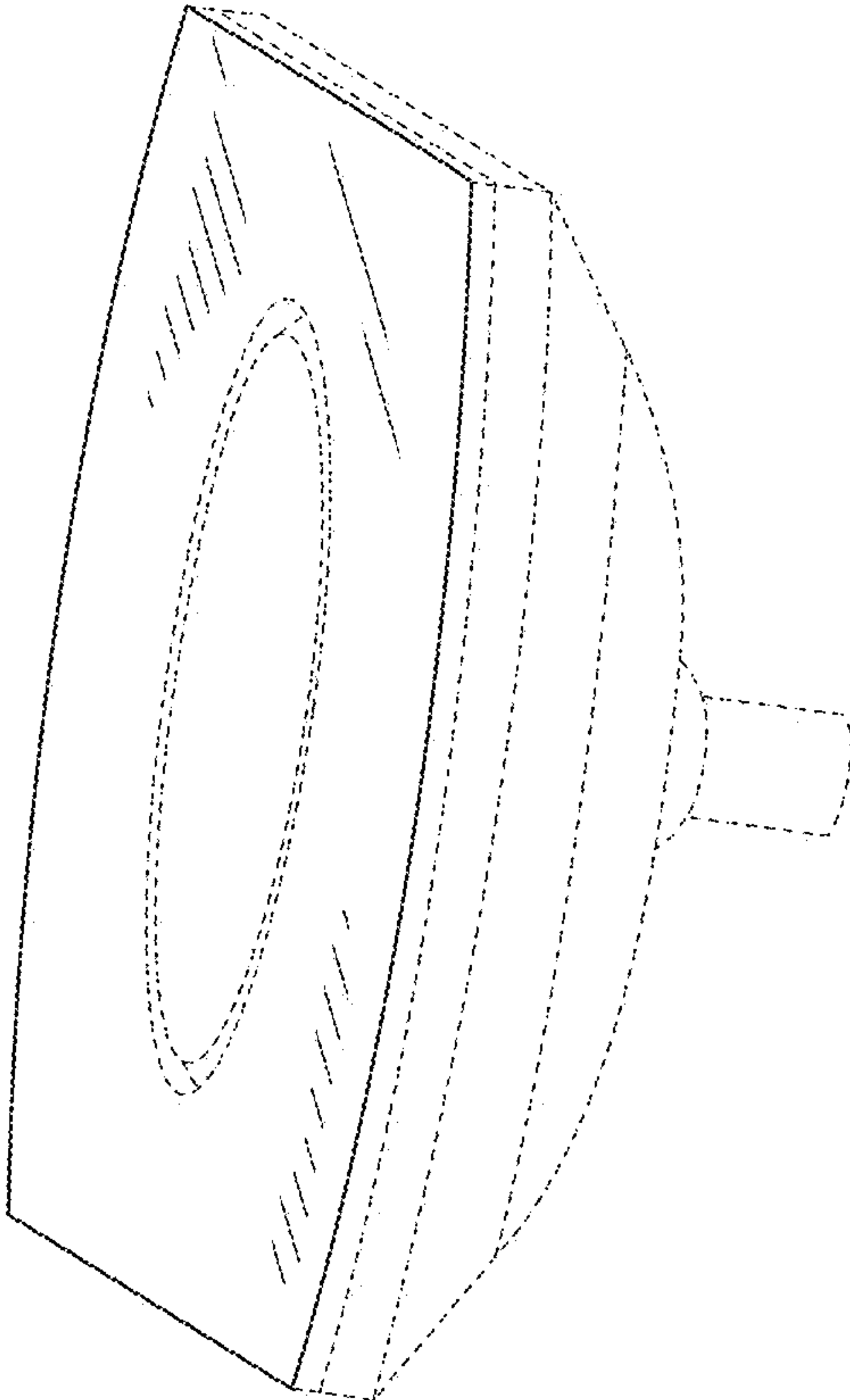


FIG. 6

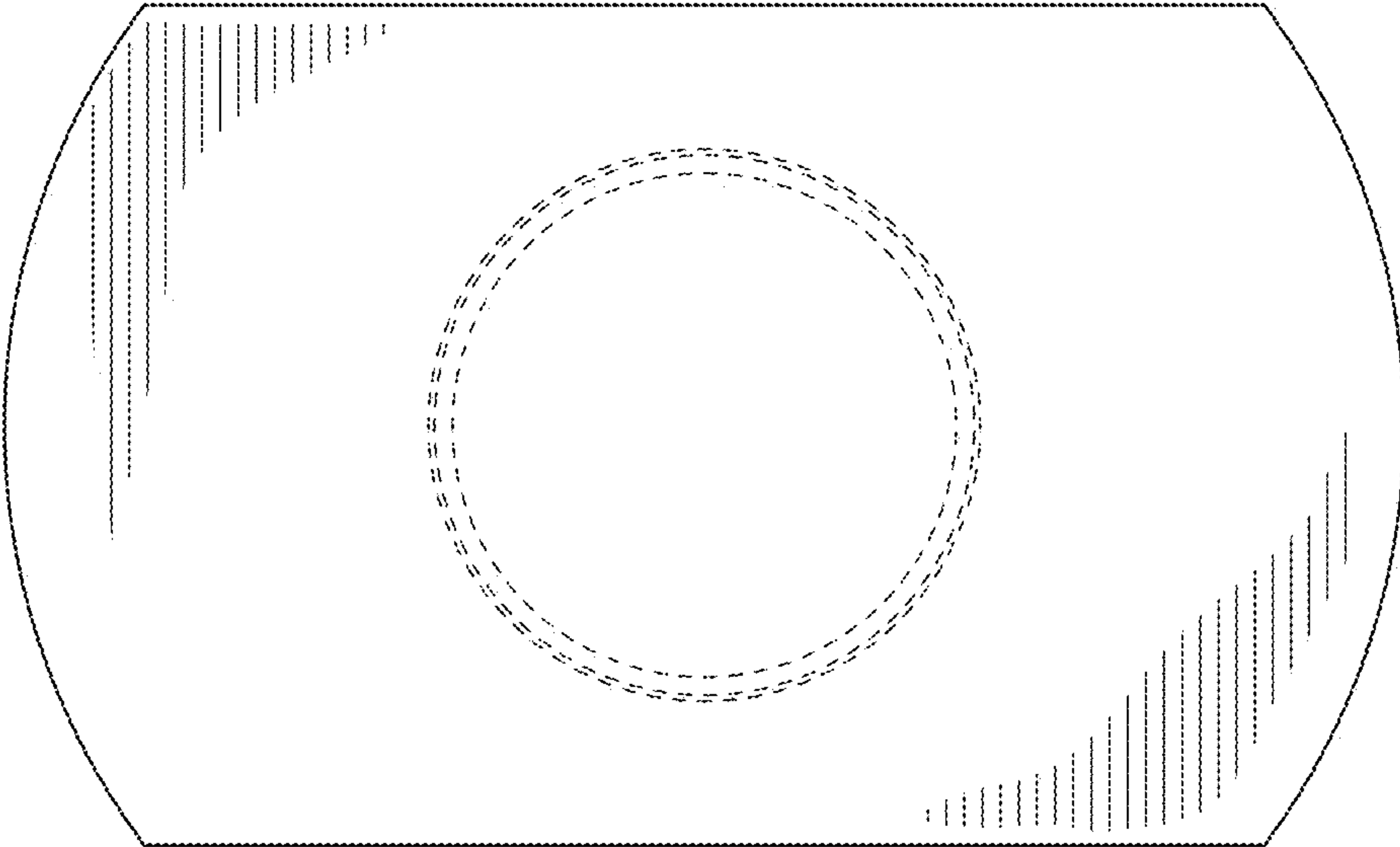


FIG. 7

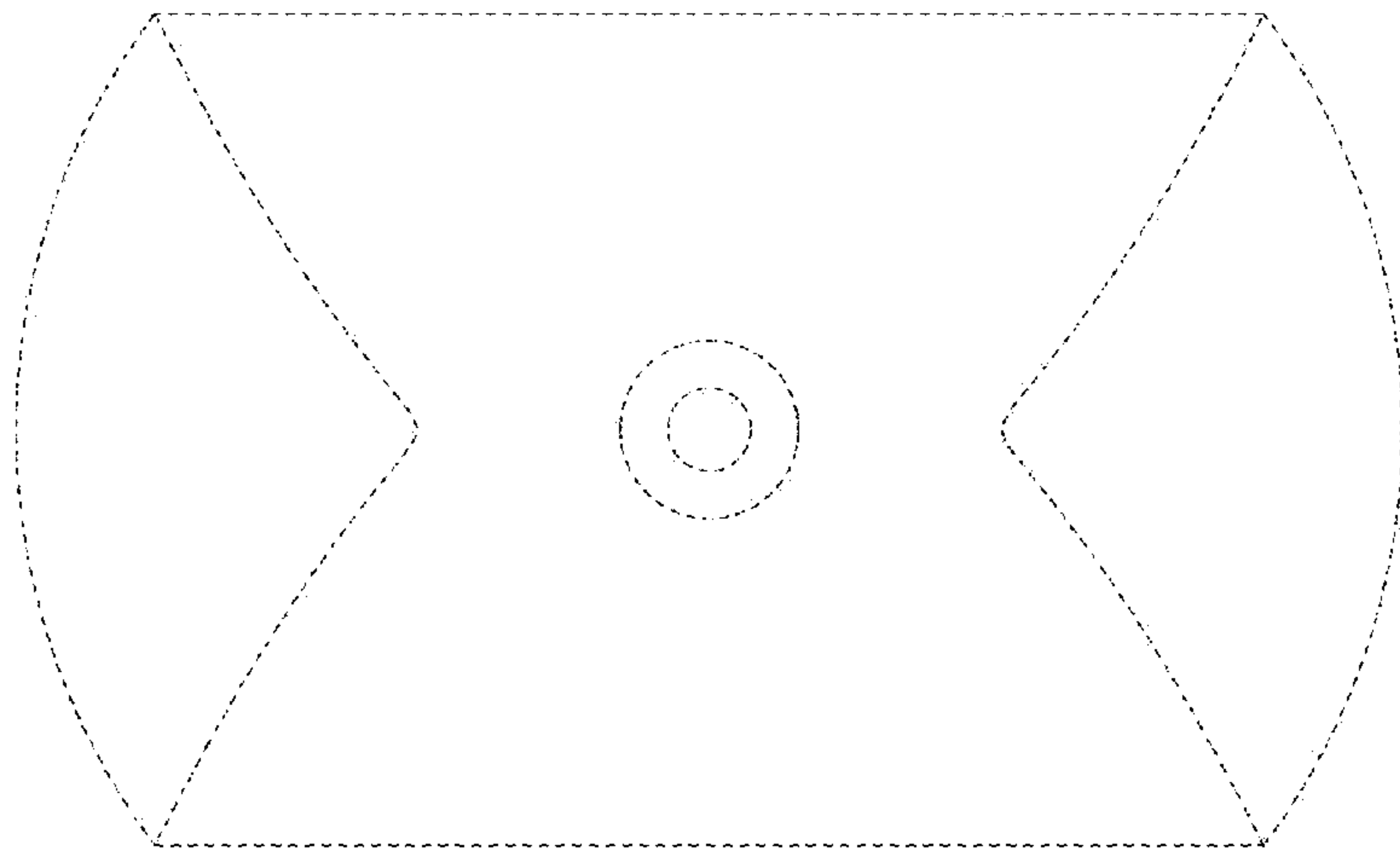


FIG. 8

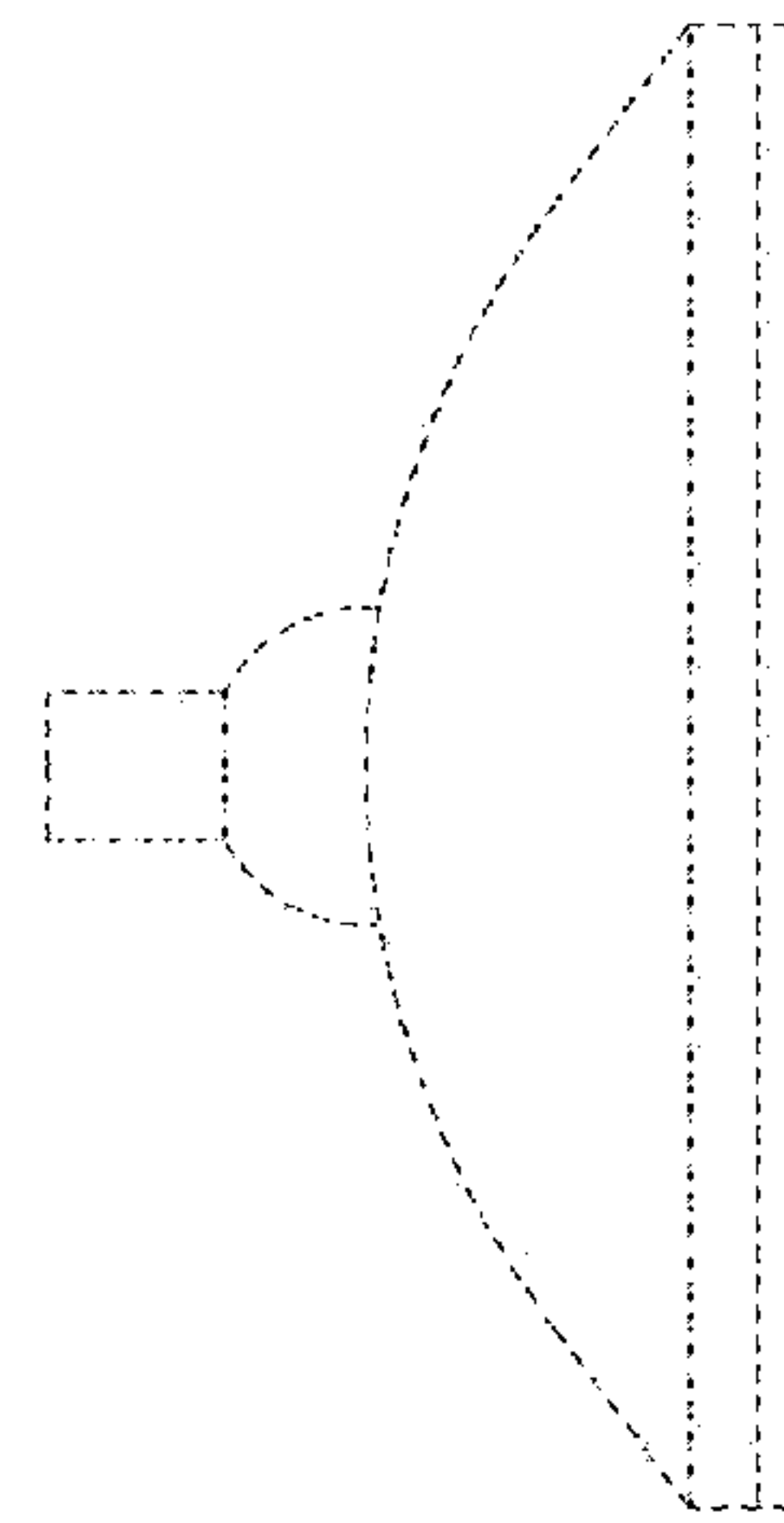


FIG. 9

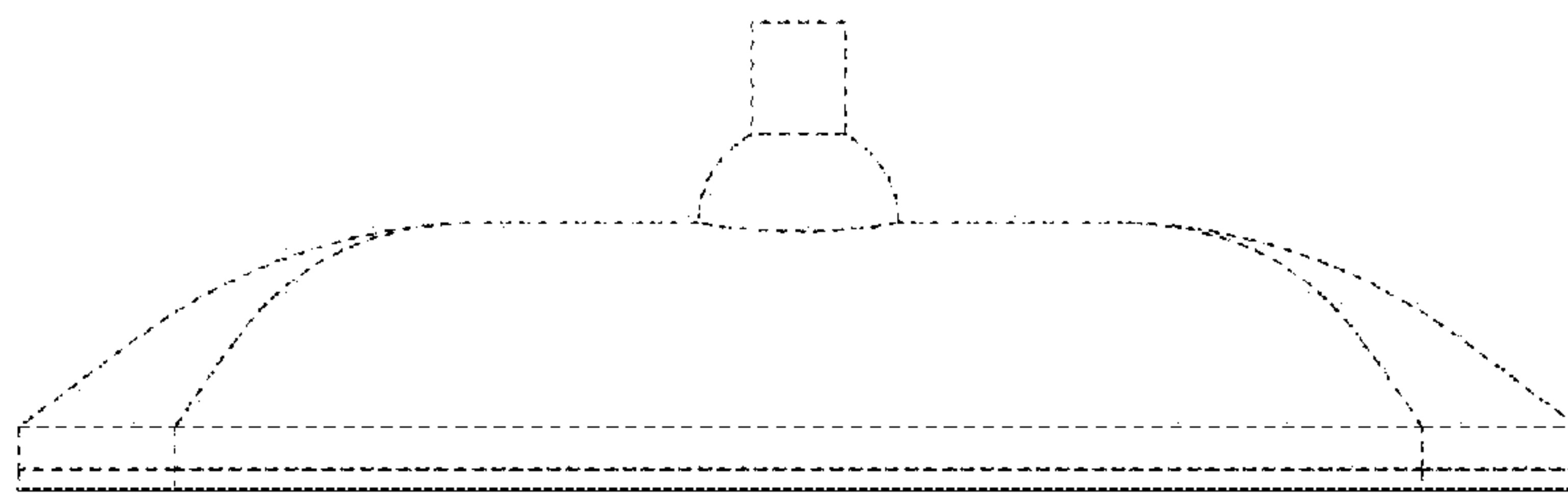


FIG. 10