

US00D765069S

(12) **United States Design Patent**  
**Jeffrey**

(10) **Patent No.:** **US D765,069 S**

(45) **Date of Patent:** **\*\* Aug. 30, 2016**

- (54) **MOBILE DEVICE CASE**
- (71) Applicant: **Edge EDM Technologies Inc.,**  
Wallaceburg (CA)
- (72) Inventor: **Scott Jeffrey, Sombra (CA)**
- (73) Assignee: **Edge EDM Technologies Inc.,**  
Wallaceburg (CA)
- (\*\*) Term: **14 Years**
- (21) Appl. No.: **29/519,646**
- (22) Filed: **Mar. 6, 2015**
- (51) **LOC (10) Cl.** ..... **14-03**
- (52) **U.S. Cl.**  
USPC ..... **D14/250**
- (58) **Field of Classification Search**  
USPC ..... D14/138 AA, 138 C, 138 G, 138 R, 142,  
D14/143, 188, 189, 203.2–203.7, 203.8,  
D14/217, 238.1, 240, 248, 250–253, 341,  
D14/345, 347, 353, 440, 441, 447, 496,  
D14/507; D13/103, 108, 119; D3/201, 218,  
D3/247, 269, 273, 303  
CPC ..... A45C 1/06; A45C 11/00; A45C 11/002;  
A45C 2011/002; A45F 2005/026; A45F  
2200/0525; A45F 2200/516; H04B 1/3888;  
H04M 1/0283; H04M 1/0202; H04M 1/003  
See application file for complete search history.

- D703,651 S 4/2014 Ehrlich
- D705,199 S \* 5/2014 Huang ..... D14/238.1
- D705,534 S 5/2014 Manjerico
- D705,764 S 5/2014 Thoni
- 8,757,376 B2 6/2014 Azzoni
- 8,759,675 B2 6/2014 Kajeswaran et al.

(Continued)

*Primary Examiner* — Eric Goodman

*Assistant Examiner* — Amy Wierenga

(74) *Attorney, Agent, or Firm* — Brunet & Co.; Robert A. H. Brunet

(57) **CLAIM**

I claim the ornamental design for a mobile device case, as shown and described.

**DESCRIPTION**

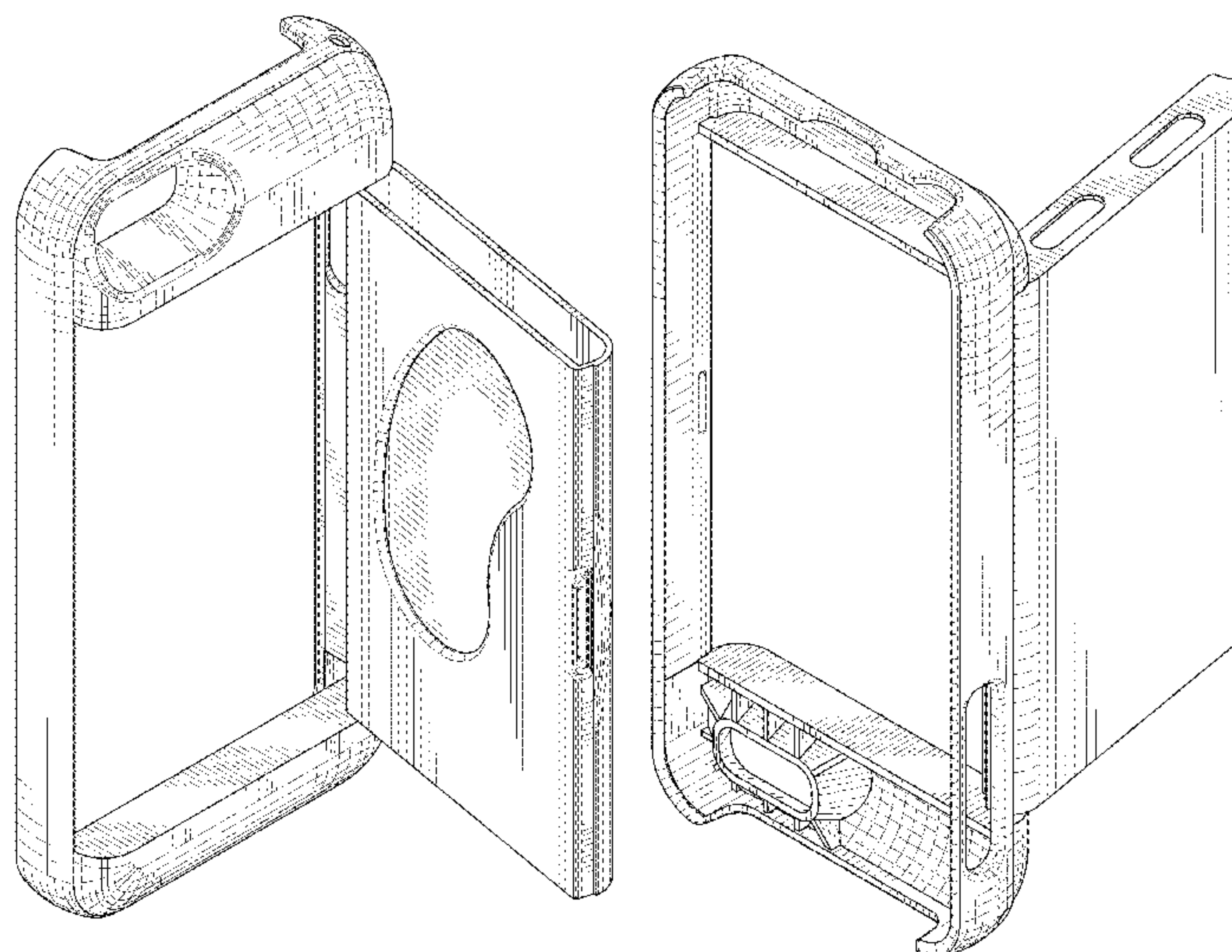
FIG. 1 is a front perspective view of the mobile device case in an opened position.  
 FIG. 2 is a top end down back perspective view of the mobile device case in an opened position.  
 FIG. 3 is back view of the mobile device case in an opened position.  
 FIG. 4 is a front view of the mobile device case in an opened position.  
 FIG. 5 is a right side view of the mobile device case in an opened position.  
 FIG. 6 is a left side view of the mobile device case in an opened position.  
 FIG. 7 is a top end view of the mobile device case in an opened position.  
 FIG. 8 is a bottom end view of the mobile device case in an opened position; and,  
 FIG. 9 is a back perspective view of the mobile device case in an opened position, shown in a state of use containing a mobile device. The mobile device depicted in broken line is for the purpose of illustrating environment that forms no part of the claim.  
 The shading lines in the Figures show contour and not surface ornamentation.

(56) **References Cited**

U.S. PATENT DOCUMENTS

- D624,064 S 9/2010 Espito
- D624,304 S 9/2010 Danze et al.
- 8,047,364 B2 11/2011 Longinotti-Buitoni
- D654,931 S \* 2/2012 Lemelman ..... D14/496
- 8,381,904 B1 2/2013 Longinotti-Buitoni
- 8,418,852 B2 4/2013 Ziemba
- D688,654 S \* 8/2013 Stevinson ..... D14/250
- 8,499,933 B2 8/2013 Ziemba
- D703,650 S 4/2014 Ehrlich

**1 Claim, 9 Drawing Sheets**



(56)

**References Cited**

U.S. PATENT DOCUMENTS

D716,784 S \* 11/2014 Wen ..... D14/250  
D720,740 S \* 1/2015 Wicks ..... D14/250  
D723,533 S \* 3/2015 Stevinson ..... D14/250  
D735,706 S \* 8/2015 Stevinson ..... D14/250  
2007/0223183 A1 9/2007 Oja  
2010/0230301 A1 9/2010 Fellig

2011/0089077 A1 4/2011 Ziemba  
2011/0089078 A1 4/2011 Ziemba  
2011/0284407 A1 11/2011 Connolly  
2013/0043144 A1 2/2013 McDonald  
2014/0001060 A1 1/2014 Nikosey  
2014/0034546 A1 2/2014 Ziemba  
2014/0144796 A1 5/2014 Ziemba  
2015/0141082 A1\* 5/2015 Ehrlich ..... H04B 1/3888  
455/575.1

\* cited by examiner

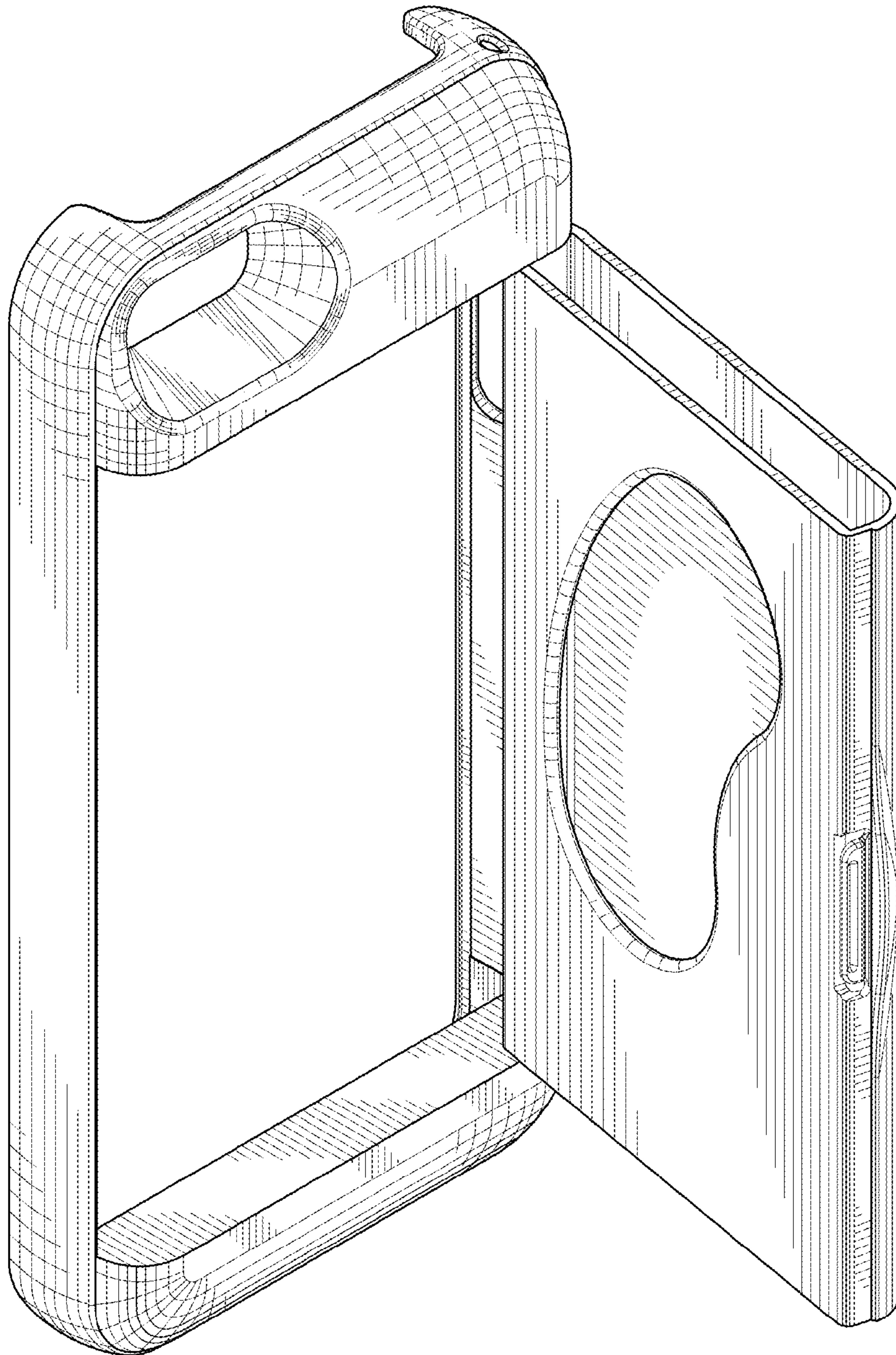


FIG. 1



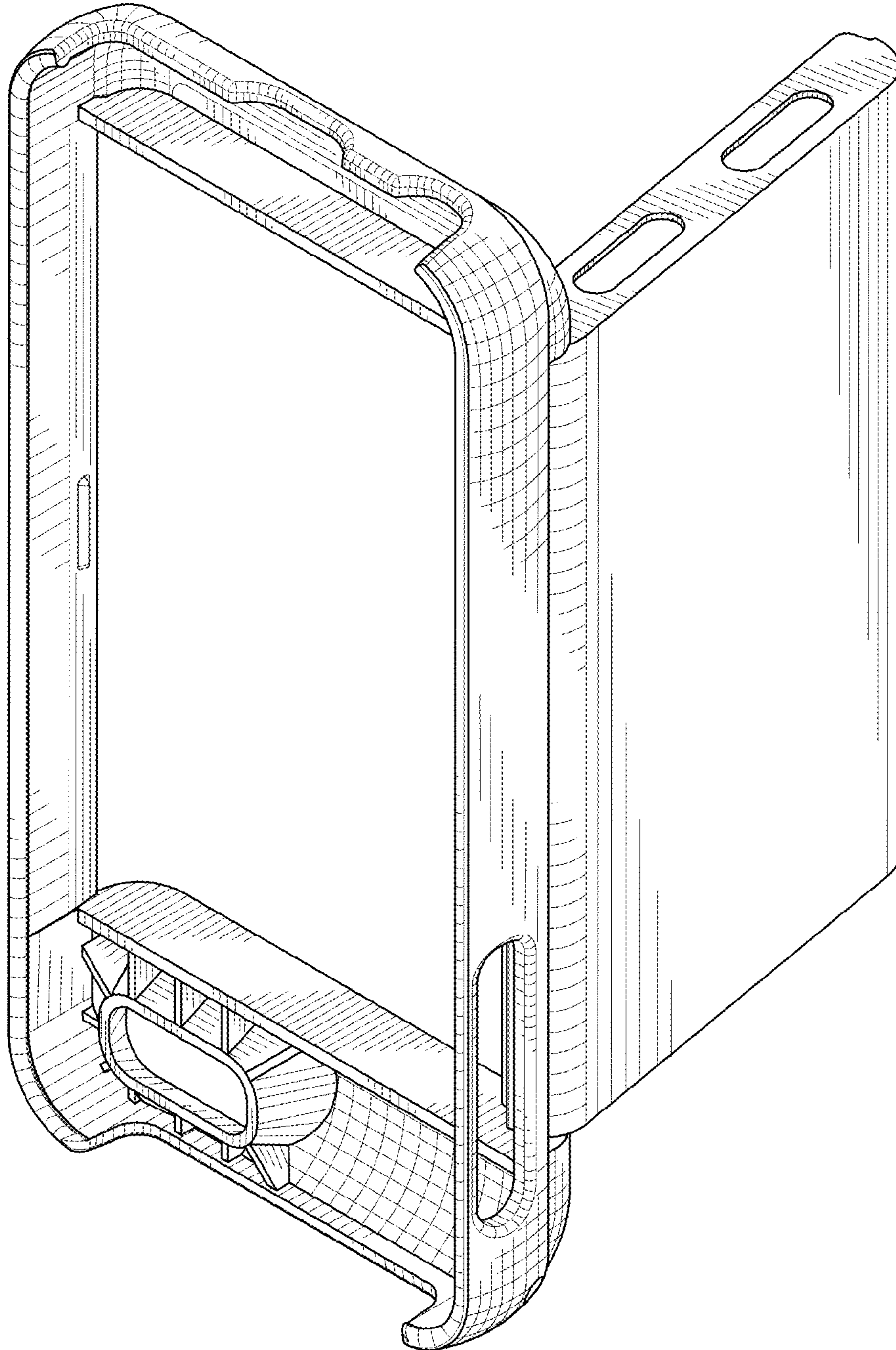


FIG.2

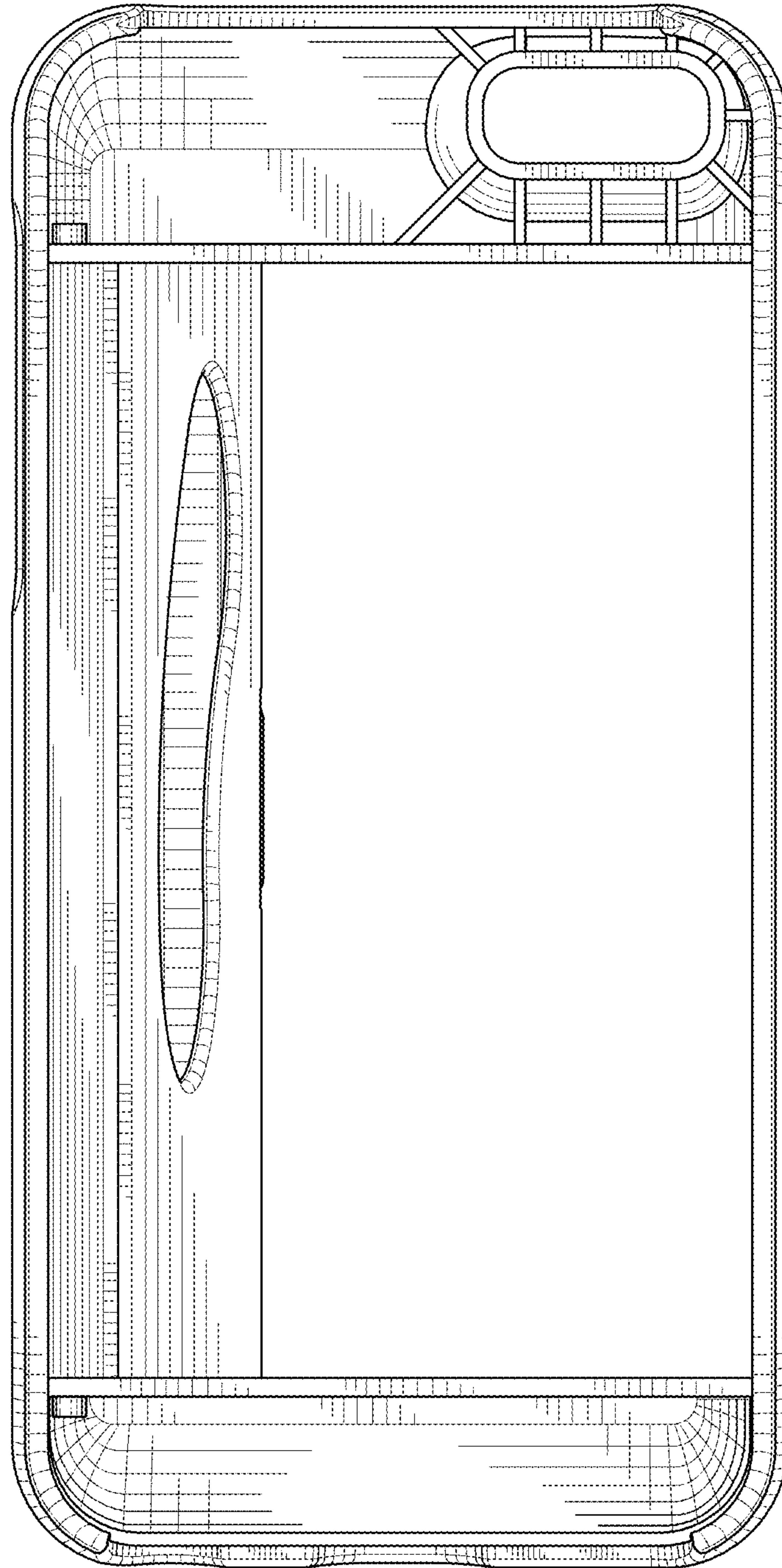


FIG.3

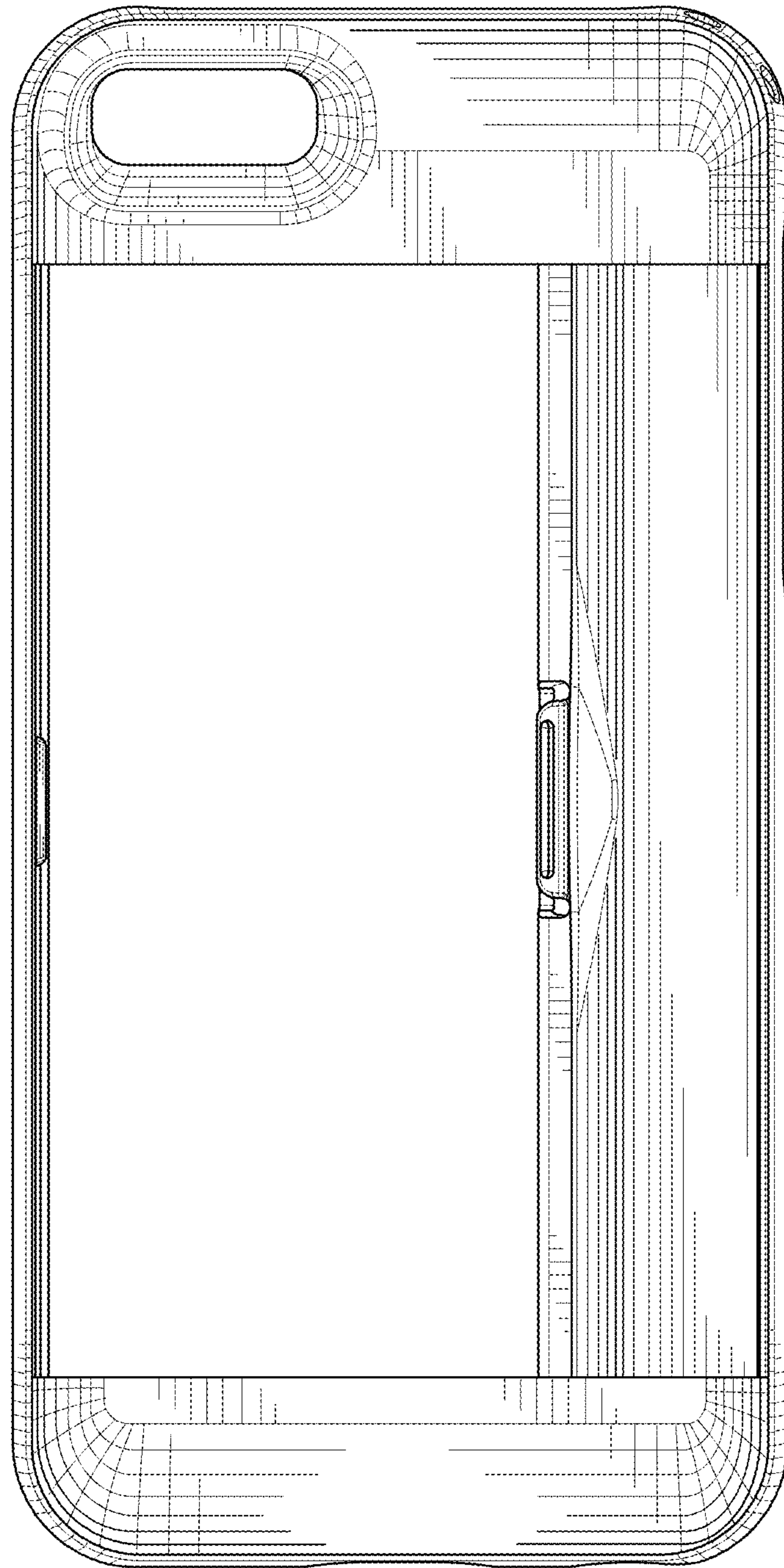


FIG.4

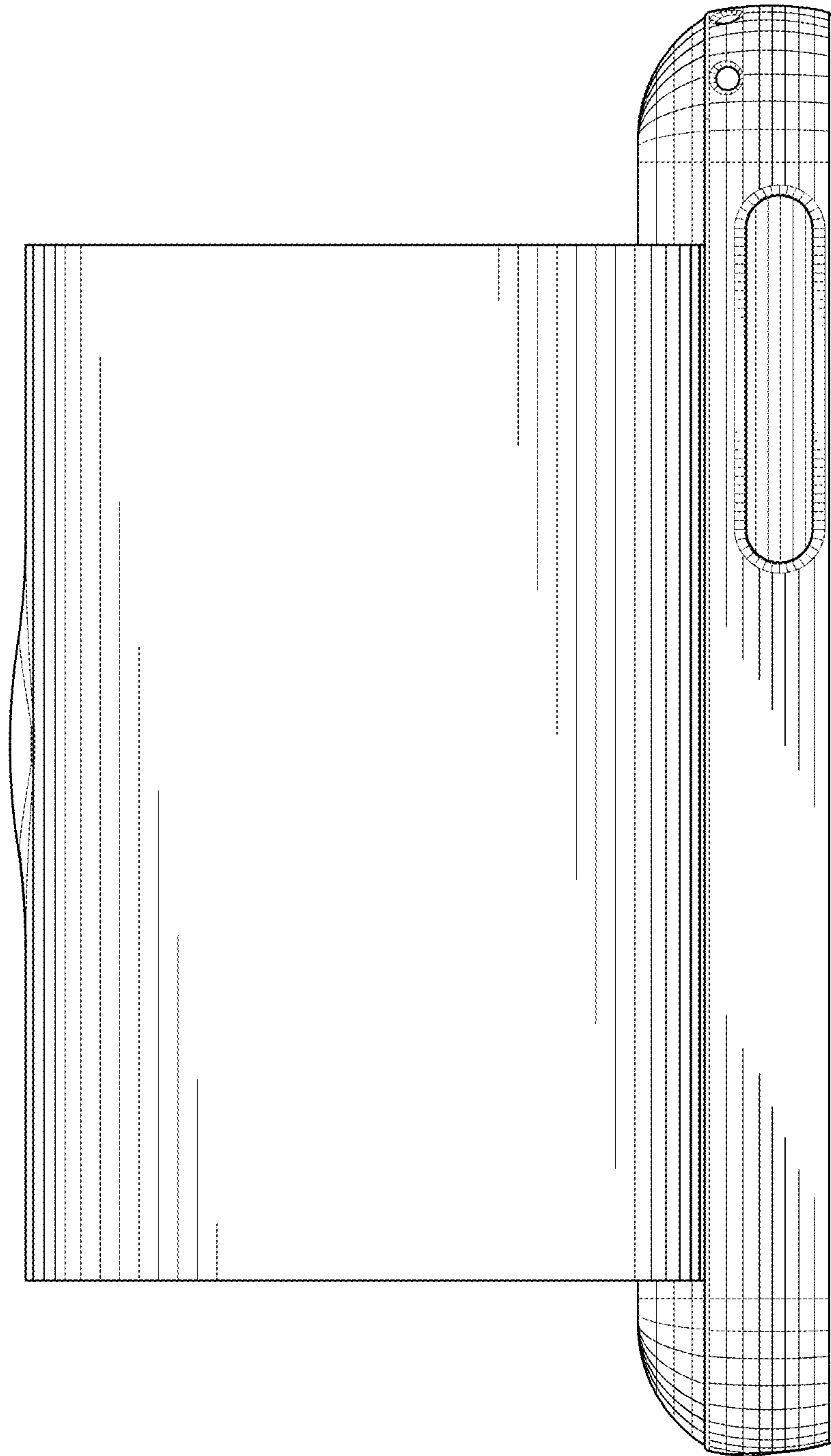


FIG.5



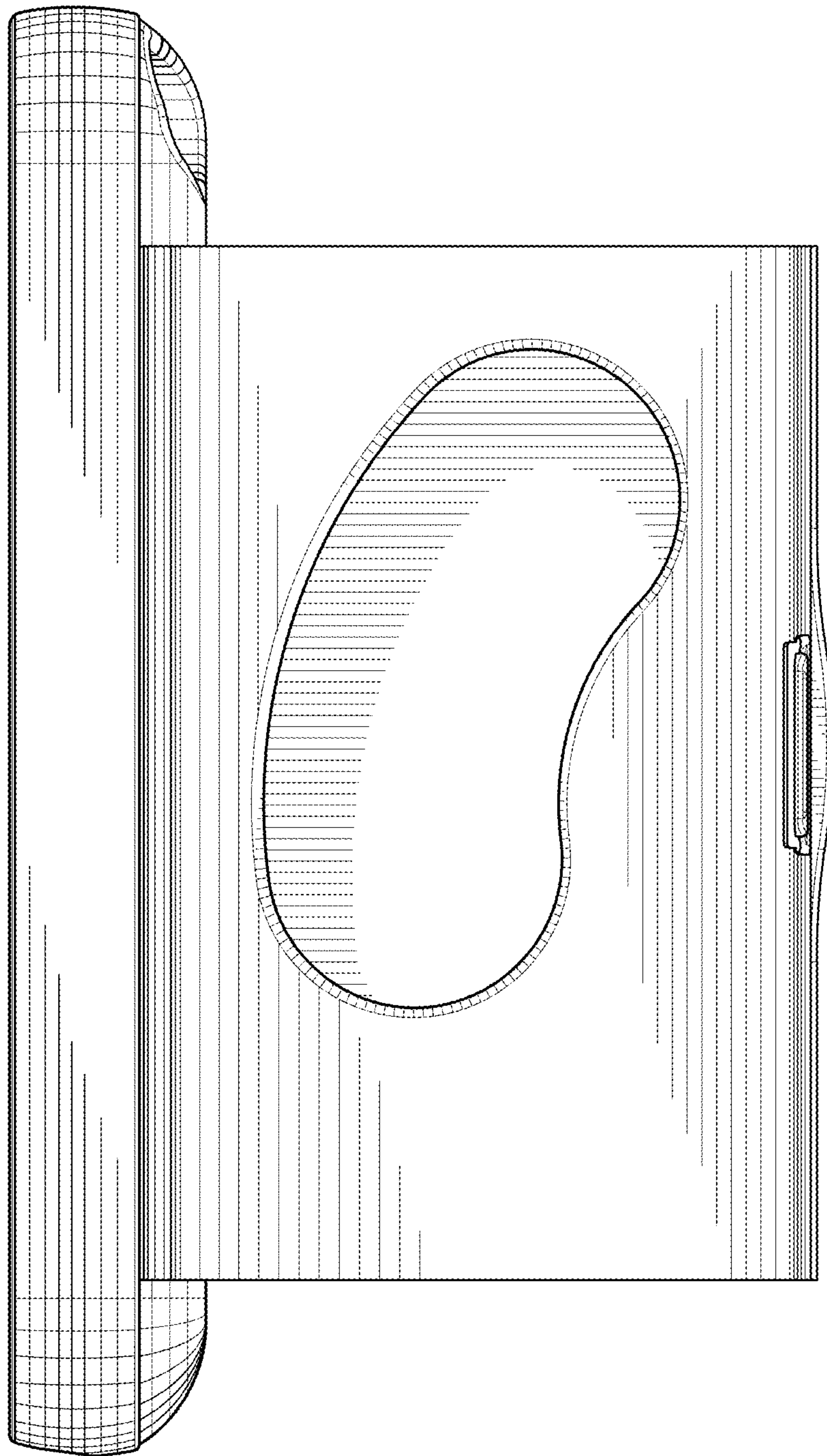


FIG.6



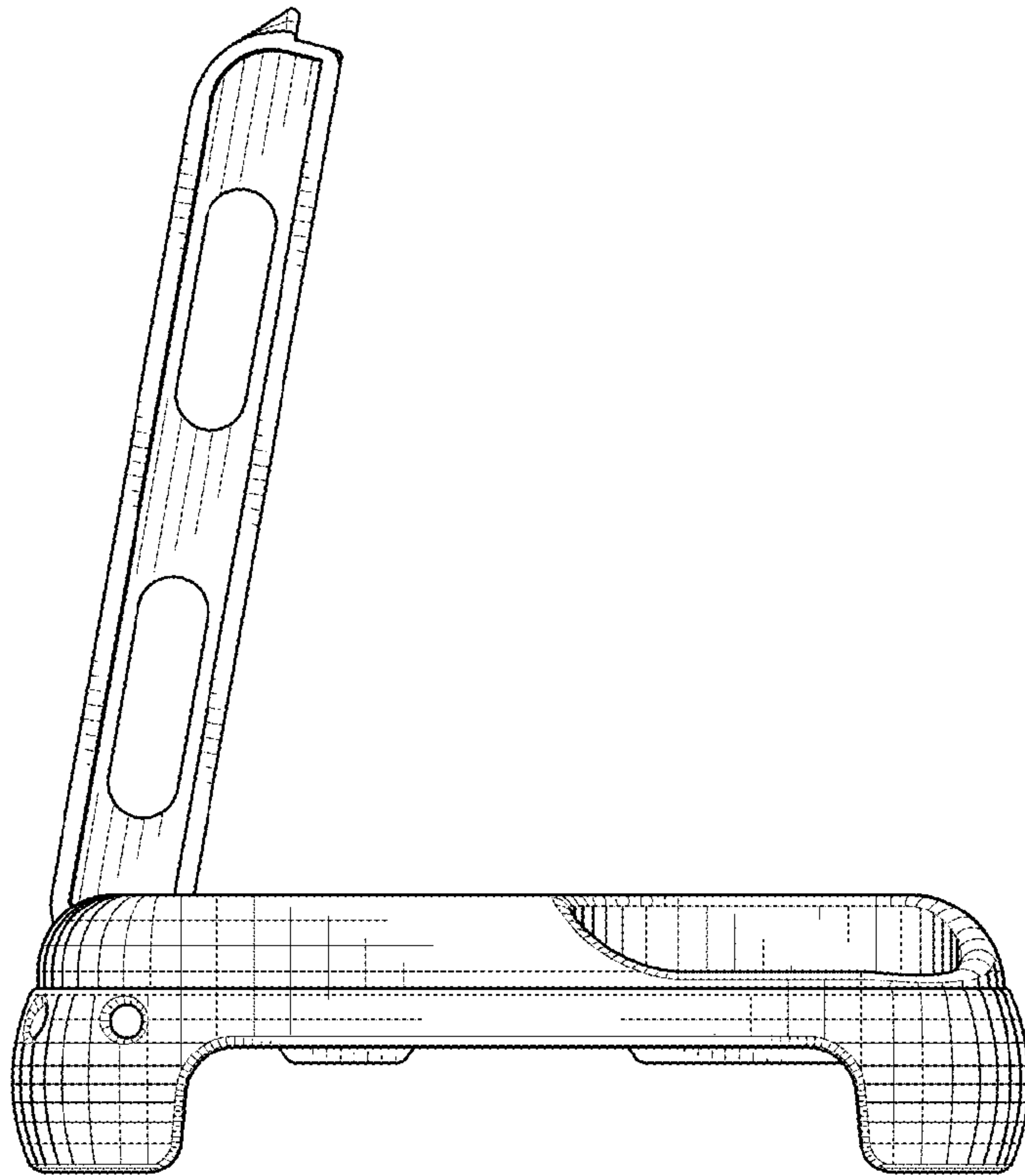


FIG.7

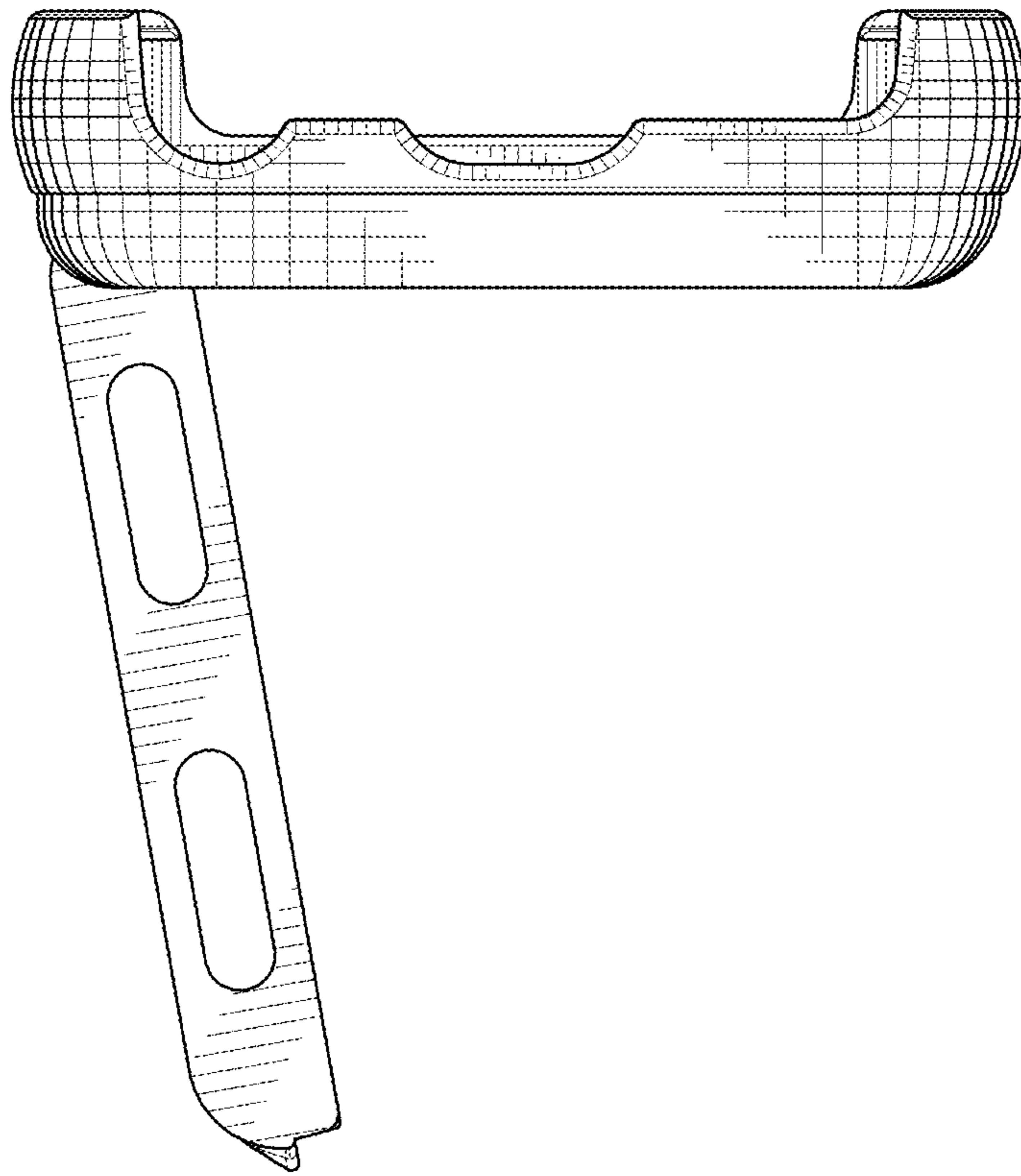


FIG.8

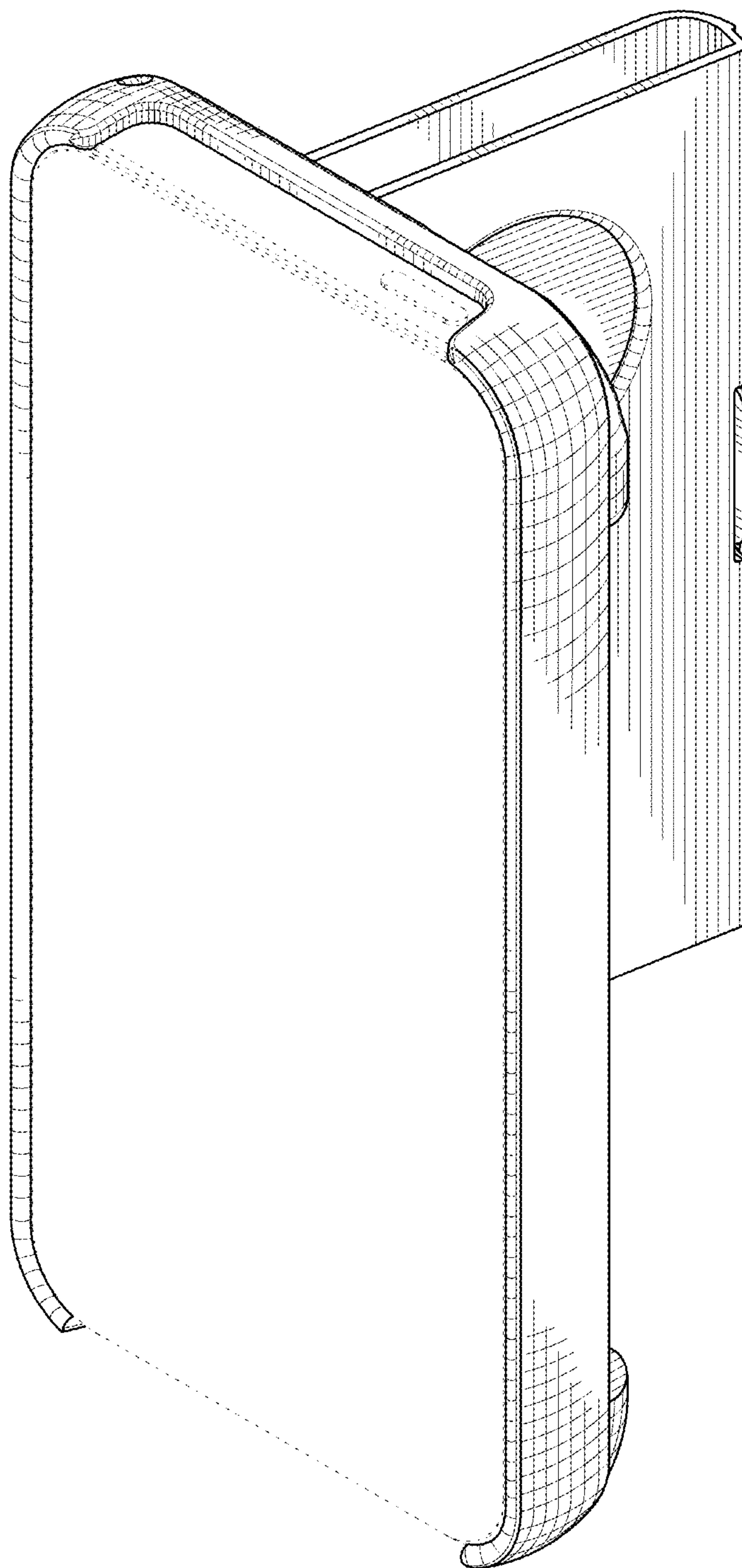


FIG.9