



US00D765066S

(12) **United States Design Patent**
Cowles et al.

(10) **Patent No.:** **US D765,066 S**

(45) **Date of Patent:** **** *Aug. 30, 2016**

(54) **ELECTRONIC HOUSING**

(71) Applicant: **Crestron Electronics, Inc.**, Rockleigh, NJ (US)

(72) Inventors: **William Cowles**, New York, NY (US); **Wendy Feldstein**, Old Tappan, NJ (US); **Howard Balch**, Bloomingdale, NJ (US); **Donald Florczak**, Tenafly, NJ (US)

(73) Assignee: **Crestron Electronics Inc.**, Rockleigh, NJ (US)

(*) Notice: This patent is subject to a terminal disclaimer.

(**) Term: **14 Years**

(21) Appl. No.: **29/480,293**

(22) Filed: **Jan. 24, 2014**

(51) **LOC (10) Cl.** **14-03**

(52) **U.S. Cl.**
USPC **D14/240**

(58) **Field of Classification Search**
USPC D14/135, 137, 139, 140-140.9, 155, D14/167, 240, 242, 243, 348, 349, 351, 354, D14/355, 356, 357, 358, 385, 433, 435, D14/435.1, 436, 474, 480, 496; D13/103, D13/108, 110, 147; D10/75
CPC H04L 12/00; H03K 17/00; H04W 88/00; H04W 88/005; H04W 88/02; H04W 88/08; H04W 88/085; H04W 88/10; H04W 88/12; H04W 88/14; H04B 1/38
See application file for complete search history.

(56) **References Cited**

U.S. PATENT DOCUMENTS

D220,764 S 5/1971 Ortega
D269,345 S 6/1983 Payne

(Continued)

OTHER PUBLICATIONS

Cedia 2013: Crestron's CEN-NSP1, uploaded Sep. 27, 2013, by Crestron Electronics,[online],[site visited Apr. 17, 2015]. Available from the Internet, <URL: <https://www.youtube.com/watch?v=nYKpaE3UBpU>>.*

(Continued)

Primary Examiner — Rosemary K Tarcza

Assistant Examiner — Sanjeev Paul

(74) *Attorney, Agent, or Firm* — Crestron Electronics Inc.

(57) **CLAIM**

The ornamental design for an electronic housing, as shown and described.

DESCRIPTION

FIG. 1 shows a front perspective view of an electronic housing.

FIG. 2 shows a back perspective view of an electronic housing.

FIG. 3 shows a front elevational view of an electronic housing.

FIG. 4 shows a back elevation view of an electronic housing.

FIG. 5 shows a right side elevational view of an electronic housing.

FIG. 6 shows a top plan view of an electronic housing.

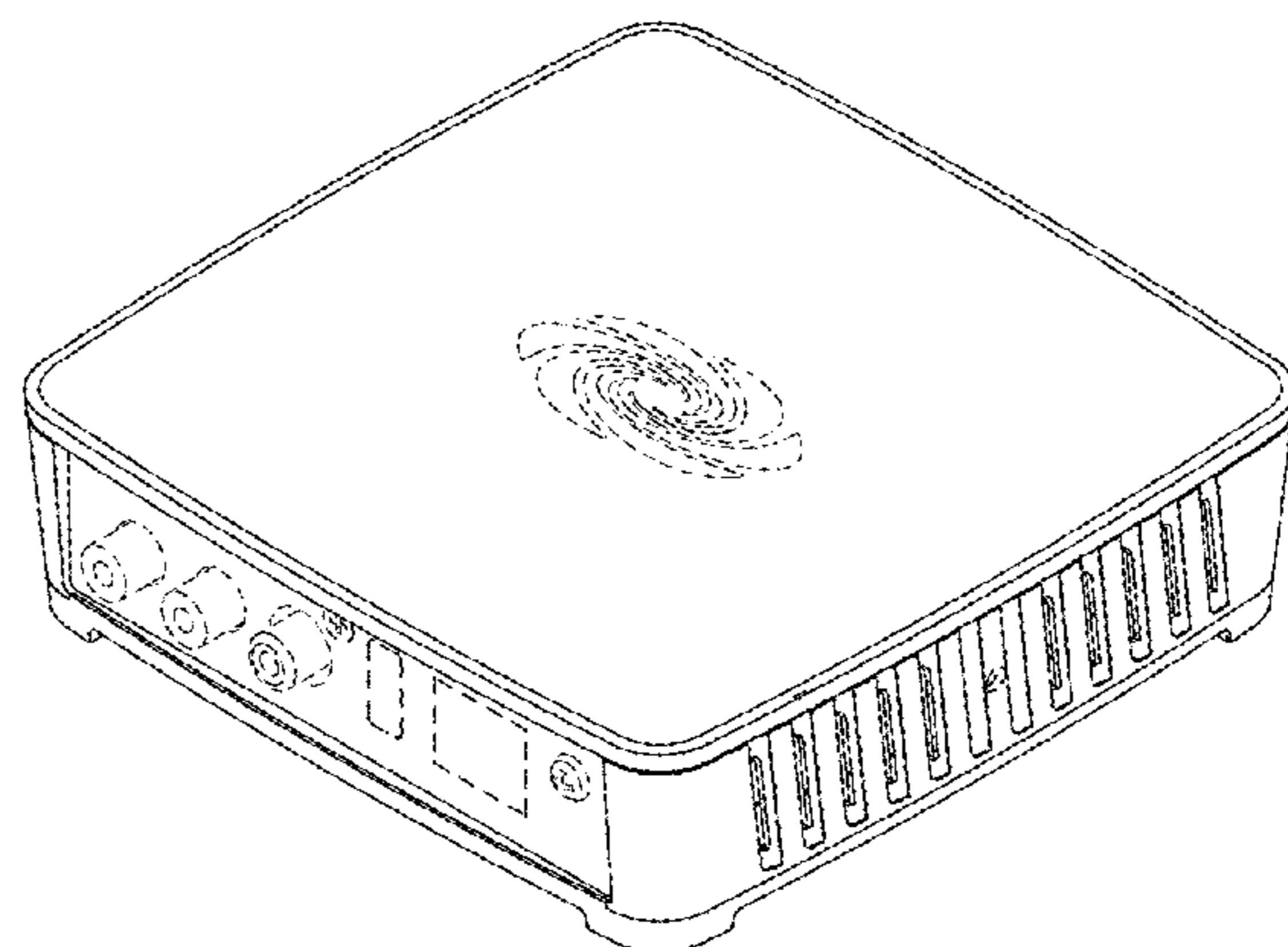
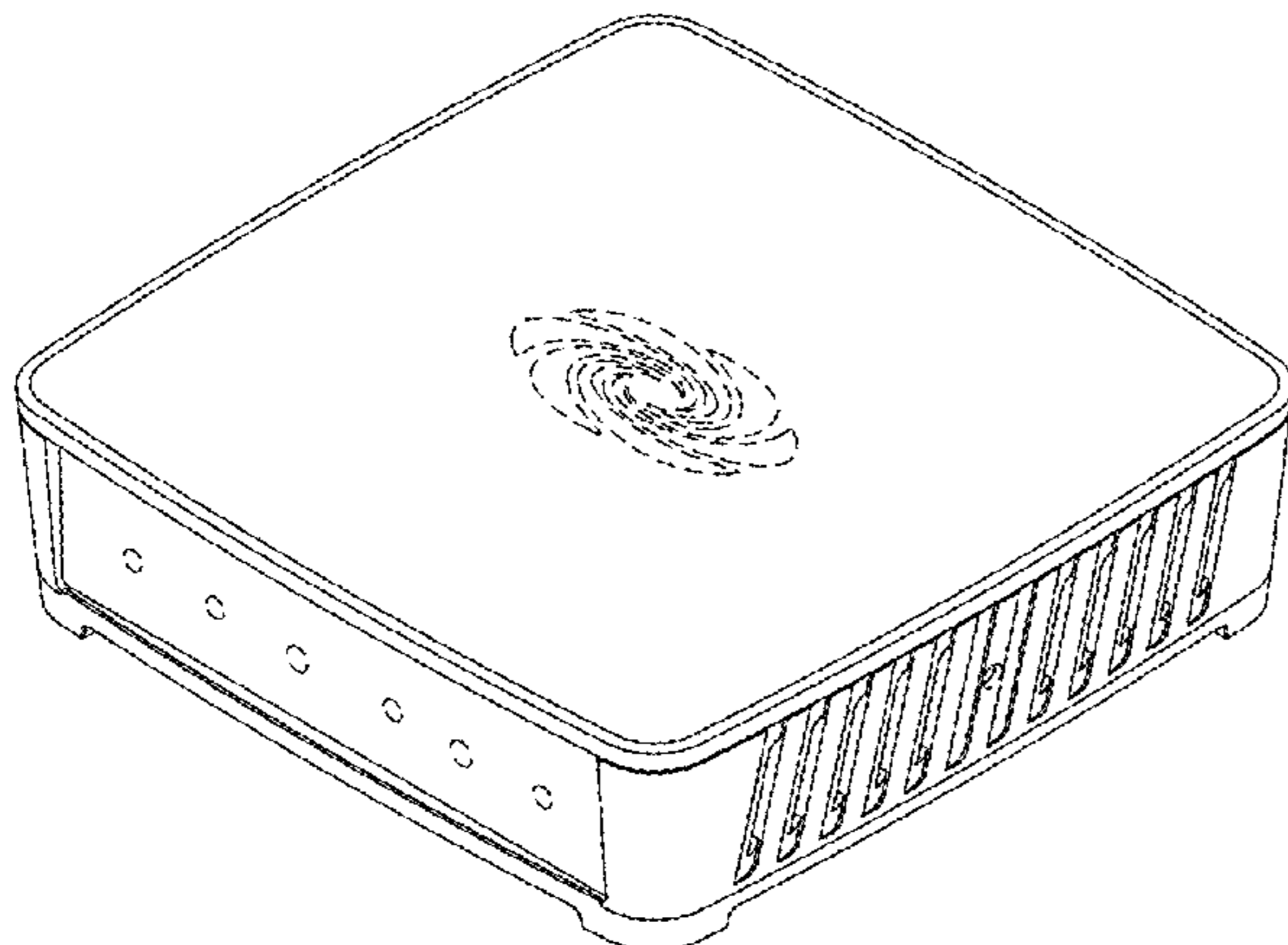
FIG. 7 shows a bottom plan view of an electronic housing; and,

FIG. 8 shows a bottom perspective view of an electronic housing.

The broken lines shown in the figures that are immediately adjacent to the claimed surfaces and define unshaded regions represent the bounds of the claim, while all other broken lines, including the logo at the top which is shown superimposed on a continuously claimed surface, show environmental subject matter; the broken lines form no part of the claimed design.

The “logo” shown in the drawings (e.g., FIGS. 1, 2 and 6) is a registered trademark of Crestron Electronics, Inc., Rockleigh, NJ, USA.

1 Claim, 8 Drawing Sheets



(56)

References Cited

U.S. PATENT DOCUMENTS

D291,443 S 8/1987 Pedinielli
 D346,606 S 5/1994 Harris
 D417,223 S 11/1999 Groves
 D420,362 S 2/2000 Pedraza
 D463,415 S 9/2002 Tomino
 D464,958 S 10/2002 Coker
 D471,183 S 3/2003 Wang
 D471,541 S 3/2003 Tomino
 D473,222 S 4/2003 Chiou
 D473,549 S 4/2003 Nishi
 D480,716 S 10/2003 Saikawa
 D514,096 S 1/2006 Storti
 D521,994 S 5/2006 Sanefuji
 D580,933 S 11/2008 Ju
 D582,429 S 12/2008 Kusano
 D583,795 S * 12/2008 Keenum et al. D14/140.5
 D599,754 S 9/2009 Xie
 D641,740 S * 7/2011 Jeon et al. D14/240

D642,167 S 7/2011 Brandt
 D647,896 S * 11/2011 Chen et al. D14/314
 D648,293 S 11/2011 Kim
 D651,993 S * 1/2012 Cheng D14/125
 D651,994 S 1/2012 Lundblom
 D682,266 S * 5/2013 Wu et al. D14/358
 D686,198 S * 7/2013 Lewis et al. D14/240
 D686,206 S * 7/2013 Wu et al. D14/358
 D687,424 S * 8/2013 Petersen et al. D14/240
 D695,281 S * 12/2013 Petersen et al. D14/240
 D705,201 S * 5/2014 Isaacs et al. D14/240
 D707,667 S * 6/2014 Kono et al. D14/240
 D707,668 S * 6/2014 Lim et al. D14/242
 D711,359 S * 8/2014 Marzynski et al. D14/240
 D717,284 S * 11/2014 Kurosawa et al. D14/240

OTHER PUBLICATIONS

Rocketfish, RF-WSW312 Universal Wireless Subwoofer Kit User Guide, 2012, Best Buy Purchasing LLC, Richfield MN US.

* cited by examiner

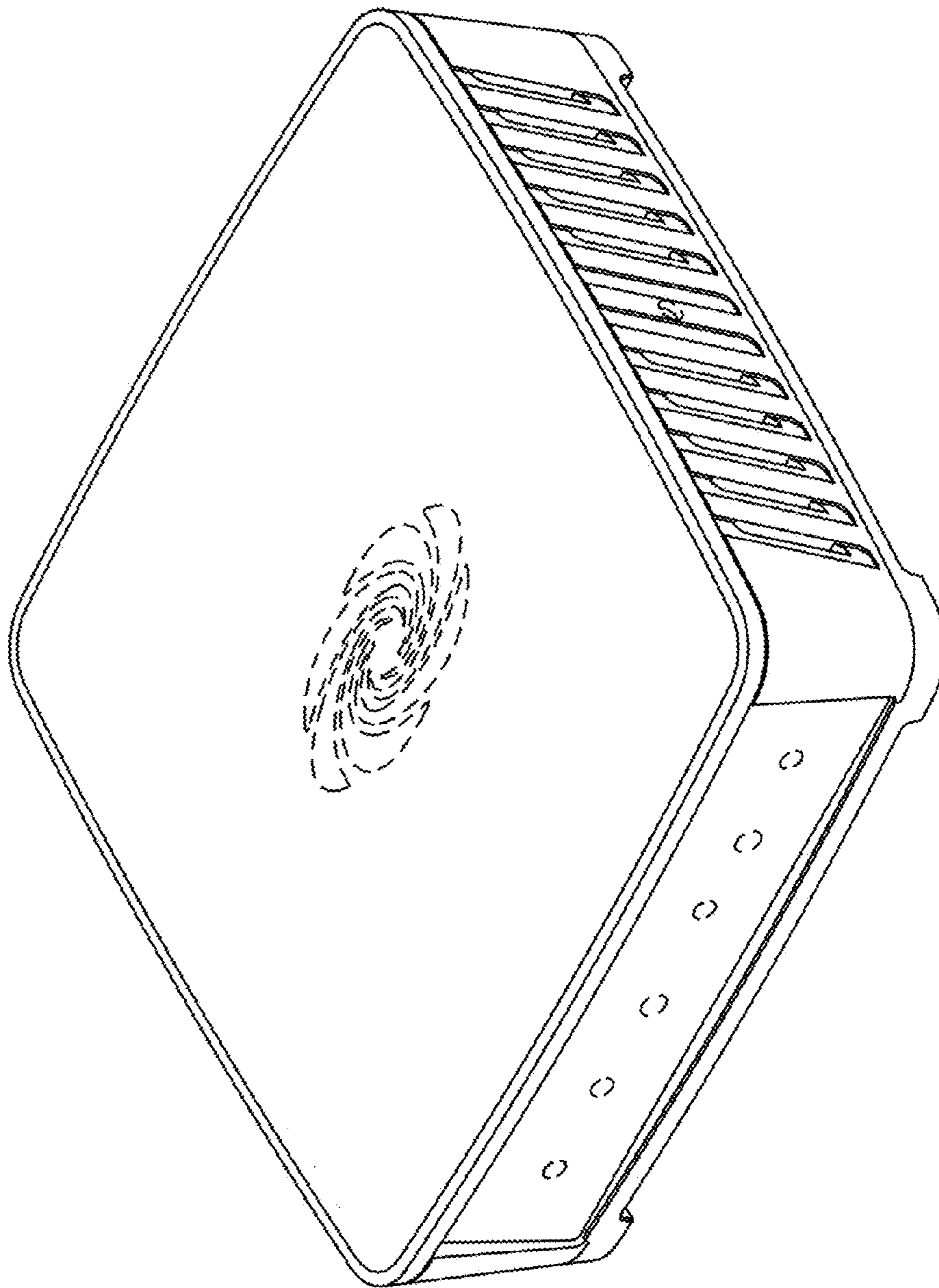


FIG. 1

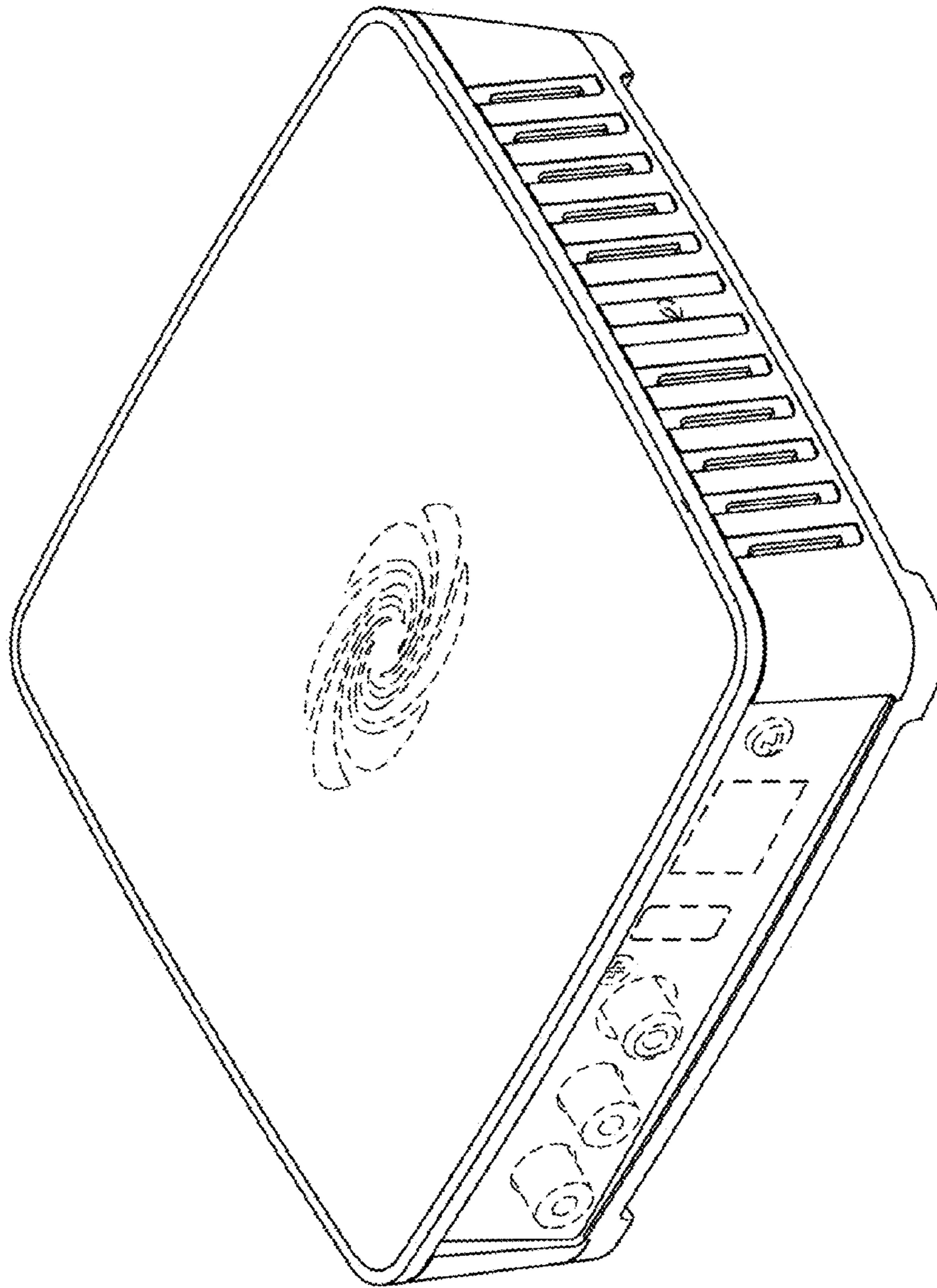


FIG. 2

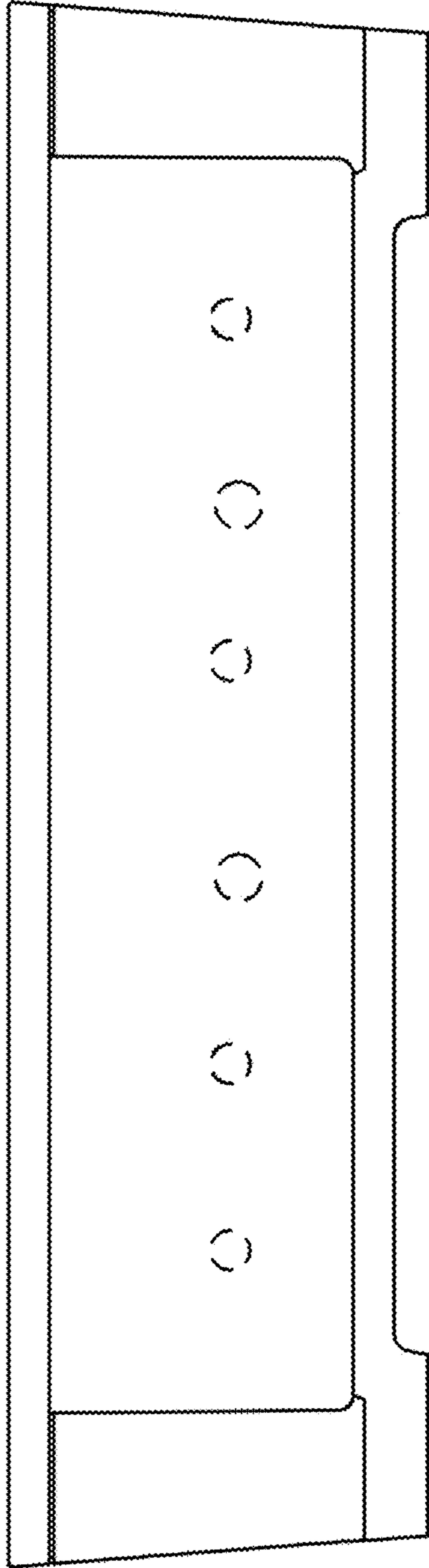


FIG. 3

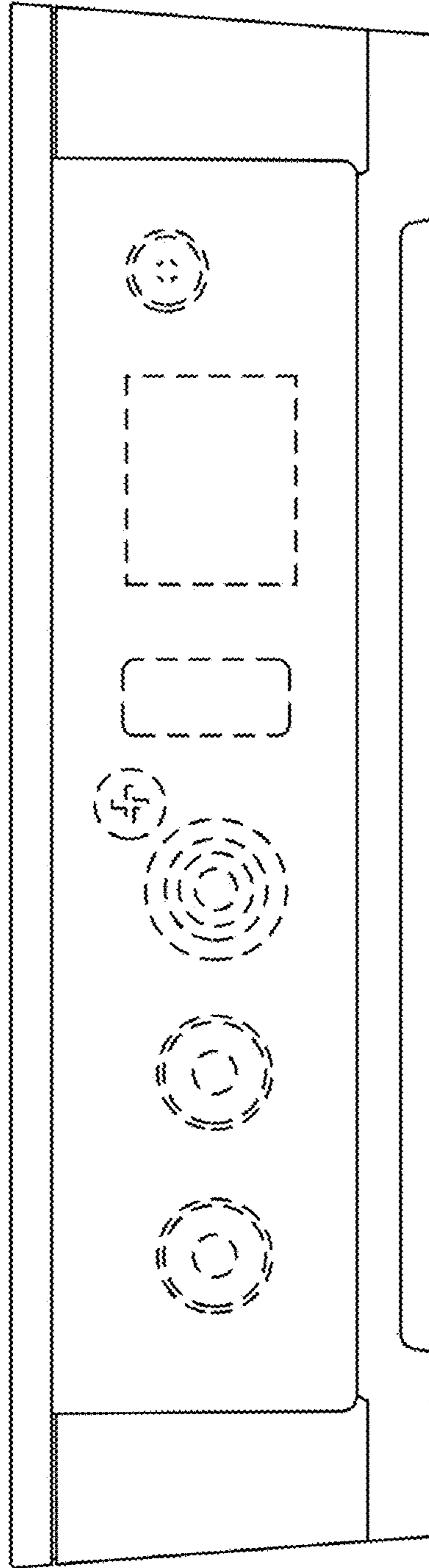


FIG. 4

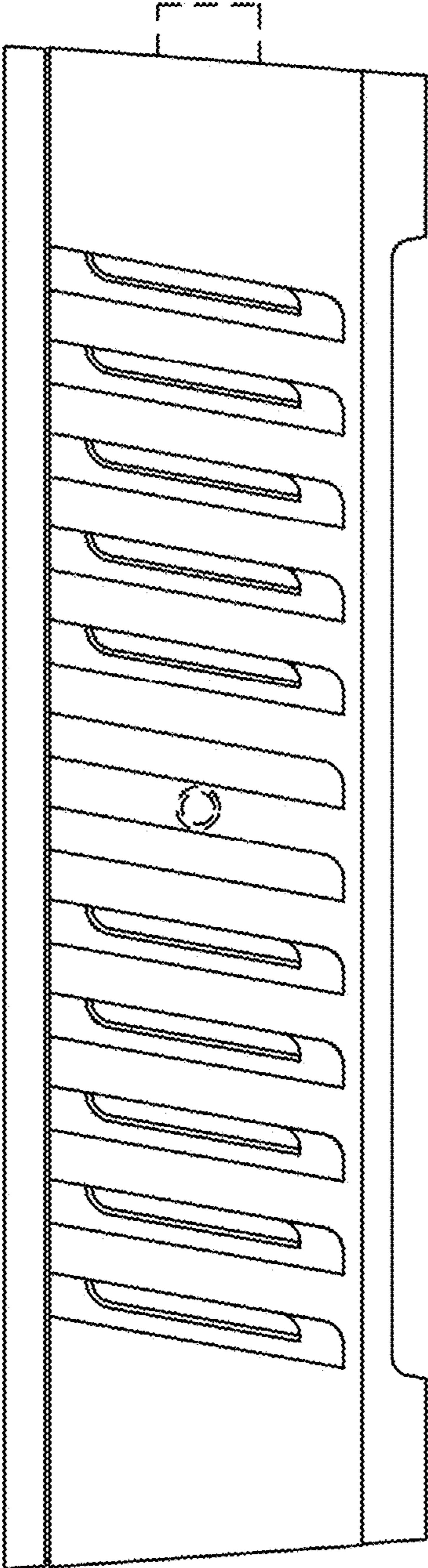


FIG. 5

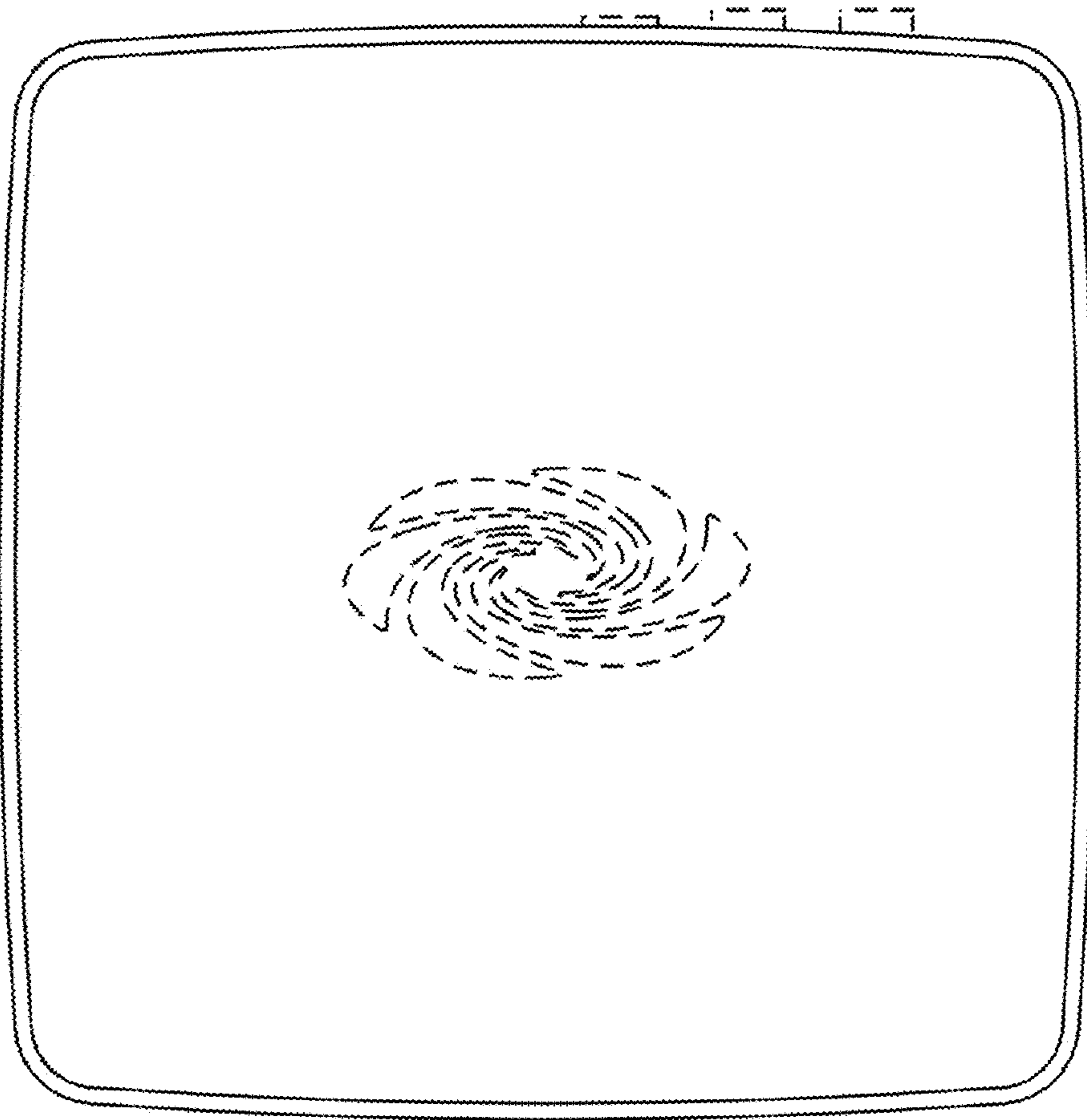


FIG. 6

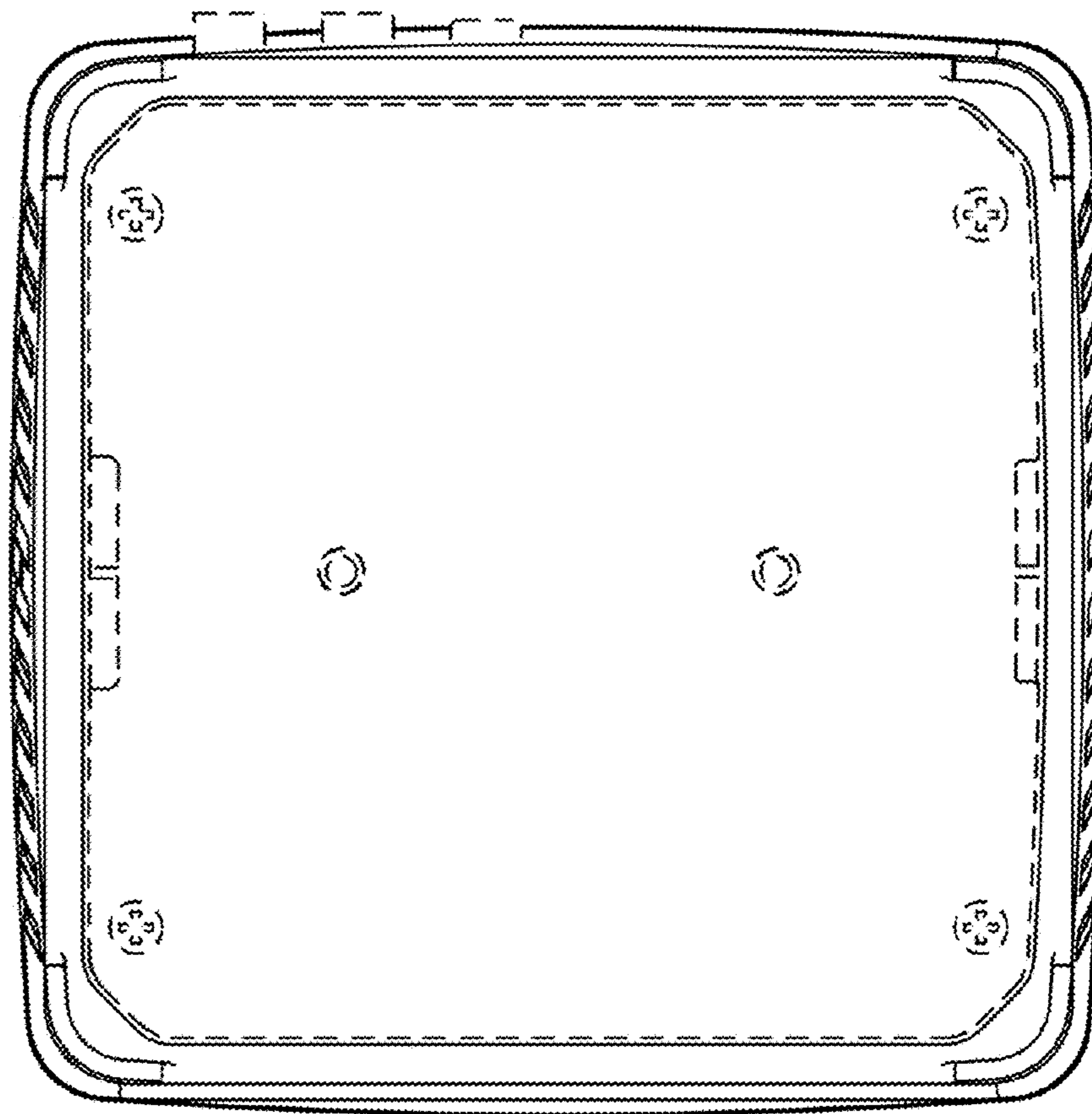


FIG. 7

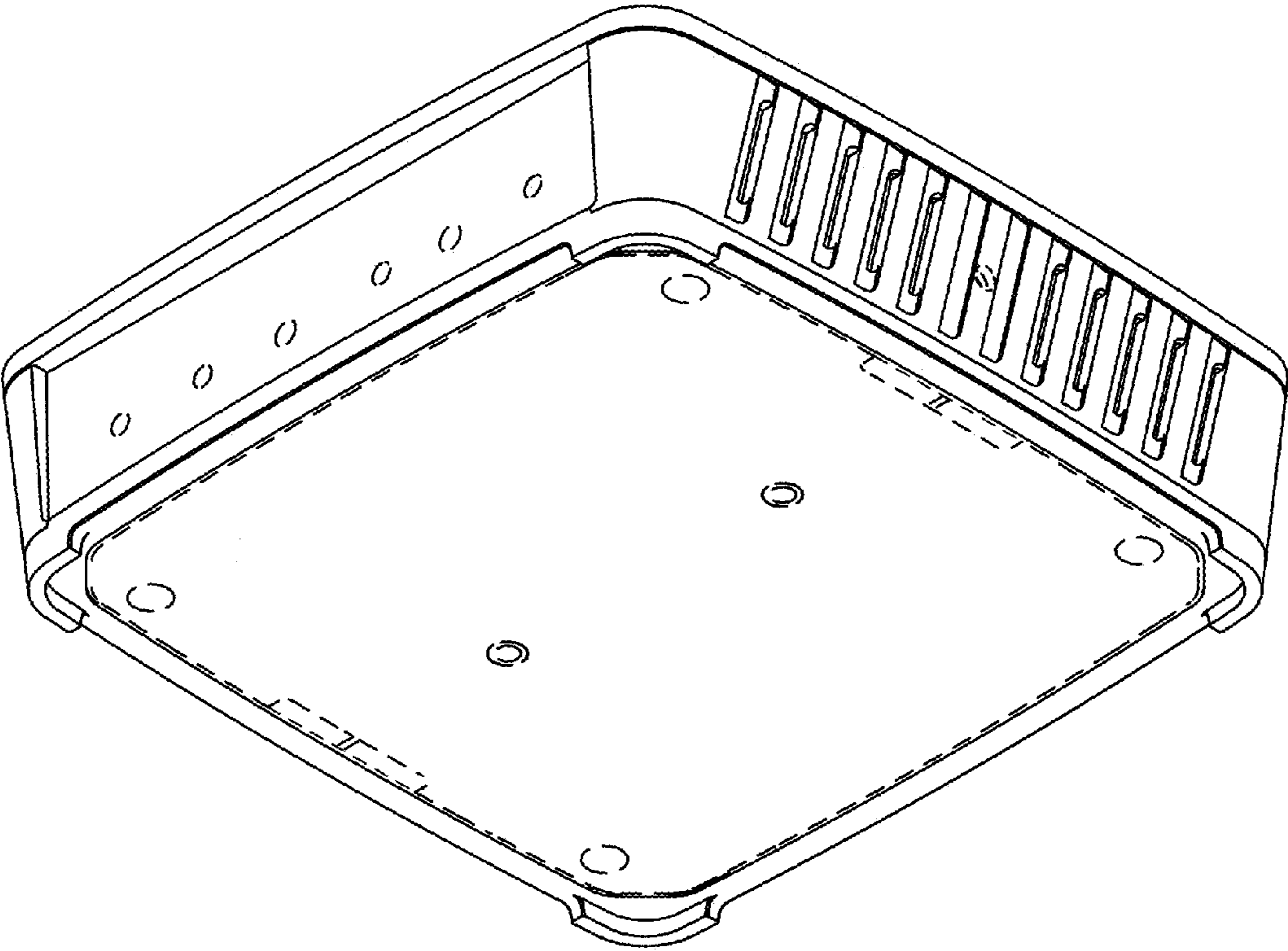


FIG. 8