



US00D765065S

(12) **United States Design Patent** (10) **Patent No.:** **US D765,065 S**  
**Kim et al.** (45) **Date of Patent:** **\*\* \*Aug. 30, 2016**

(54) **TELEVISION RECEIVER FRAME**

(71) Applicant: **Samsung Electronics Co., Ltd.**,  
Suwon-si (KR)

(72) Inventors: **Eui-Seok Kim**, Sungnam-Si (KR);  
**Su-An Choi**, Seoul (KR)

(73) Assignee: **Samsung Electronics Co., Ltd.**,  
Suwon-si (KR)

(\*) Notice: This patent is subject to a terminal disclaimer.

(\*\*) Term: **15 Years**

(21) Appl. No.: **29/532,055**

(22) Filed: **Jul. 1, 2015**

**Related U.S. Application Data**

(63) Continuation of application No. 29/456,755, filed on Jun. 4, 2013.

(30) **Foreign Application Priority Data**

Dec. 7, 2012 (KR) ..... 30-2012-0059144

(51) **LOC (10) Cl.** ..... **14-03**

(52) **U.S. Cl.**  
USPC ..... **D14/239**

(58) **Field of Classification Search**

USPC ..... D14/125-134, 239, 371, 136, 374-377,  
D14/440, 450, 448, 336, 342, 159; 312/7.2;  
348/836, 838, 180, 184, 325, 739;  
248/917-924, 465; 345/104, 133, 156,  
345/168, 87, 173; D21/329, 515, 577, 622,  
D21/333, 433, 448, 452, 450, 331, 505;  
D10/15, 26; 446/484, 175, 356;  
D6/477, 479, 300; D24/185; D34/14  
CPC . G06F 1/1601; G06F 1/1643; H05K 5/0004;  
H05K 5/0017; H05K 5/02; H05K 5/0217;  
A47G 1/06; A47G 1/0605; A47G 1/0627

See application file for complete search history.

(56) **References Cited**

U.S. PATENT DOCUMENTS

3,425,147 A 2/1969 Marx  
D269,838 S 7/1983 Altonaga

(Continued)

*Primary Examiner* — Randall Gholson

(74) *Attorney, Agent, or Firm* — NSIP Law

(57) **CLAIM**

We claim the ornamental design for a television receiver frame, as shown and described.

**DESCRIPTION**

FIG. 1 is a front perspective view of a television receiver frame showing our new design;

FIG. 2 is a front view thereof;

FIG. 3 is a rear view thereof;

FIG. 4 is a left-side view thereof;

FIG. 5 is a right-side view thereof;

FIG. 6 is a top view thereof;

FIG. 7 is a bottom view thereof;

FIG. 8 is a cross-sectional view taken through line 8-8' of FIG. 2;

FIG. 9 is a rear perspective view of the television receiver frame;

FIG. 10 is an enlarged view of the encircled portion shown in FIG. 1;

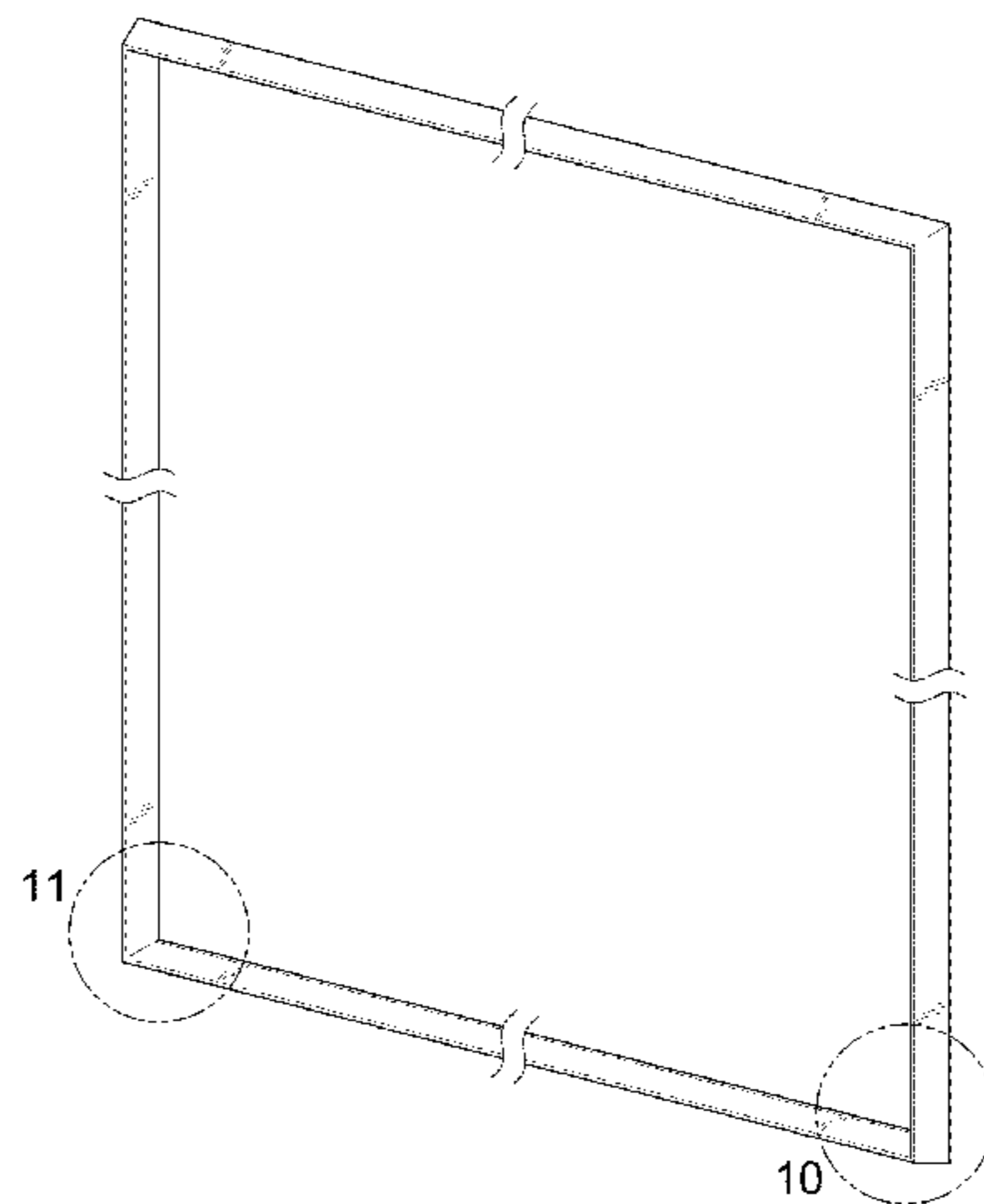
FIG. 11 is an enlarged view of the encircled portion shown in FIG. 1; and,

FIG. 12 is an enlarged view of the encircled portion shown in FIG. 2.

The pairs of closely spaced dot-dash curved lines indicate that the appearance of any portion of the article between the break lines forms no part of the claimed design.

The dot-dot-dash broken lines encircling portions of the claimed design that are illustrated in enlargements form no part of the claimed design.

**1 Claim, 10 Drawing Sheets**



(56)

**References Cited**

U.S. PATENT DOCUMENTS

5,205,059	A	4/1993	Doll			
D345,379	S	3/1994	Chan			
D424,812	S	5/2000	Kacius			
D433,573	S	* 11/2000	Rochon .....	D6/308		
D469,414	S	1/2003	Lewis			
D532,823	S	11/2006	Pena Angarita			
D545,359	S	6/2007	Bramhall			
D556,955	S	12/2007	Hanks			
D559,553	S	1/2008	Mischel, Jr.			
7,471,804	B2	12/2008	Lee			
D610,354	S	2/2010	Kuo			
D611,439	S	3/2010	Suzuki et al.			
D611,440	S	3/2010	Suzuki et al.			
D613,074	S	4/2010	Dathe			
D617,290	S	6/2010	Lewis			
D630,618	S	1/2011	Kim et al.			
D652,397	S	1/2012	Lewis			
D655,110	S	3/2012	Siekmann			
8,134,651	B1	3/2012	Reid			
D663,554	S	7/2012	Siekmann			
8,237,875	B2	8/2012	Nguyen			
D719,120	S	* 12/2014	Park .....	D14/126		

\* cited by examiner

FIG. 1

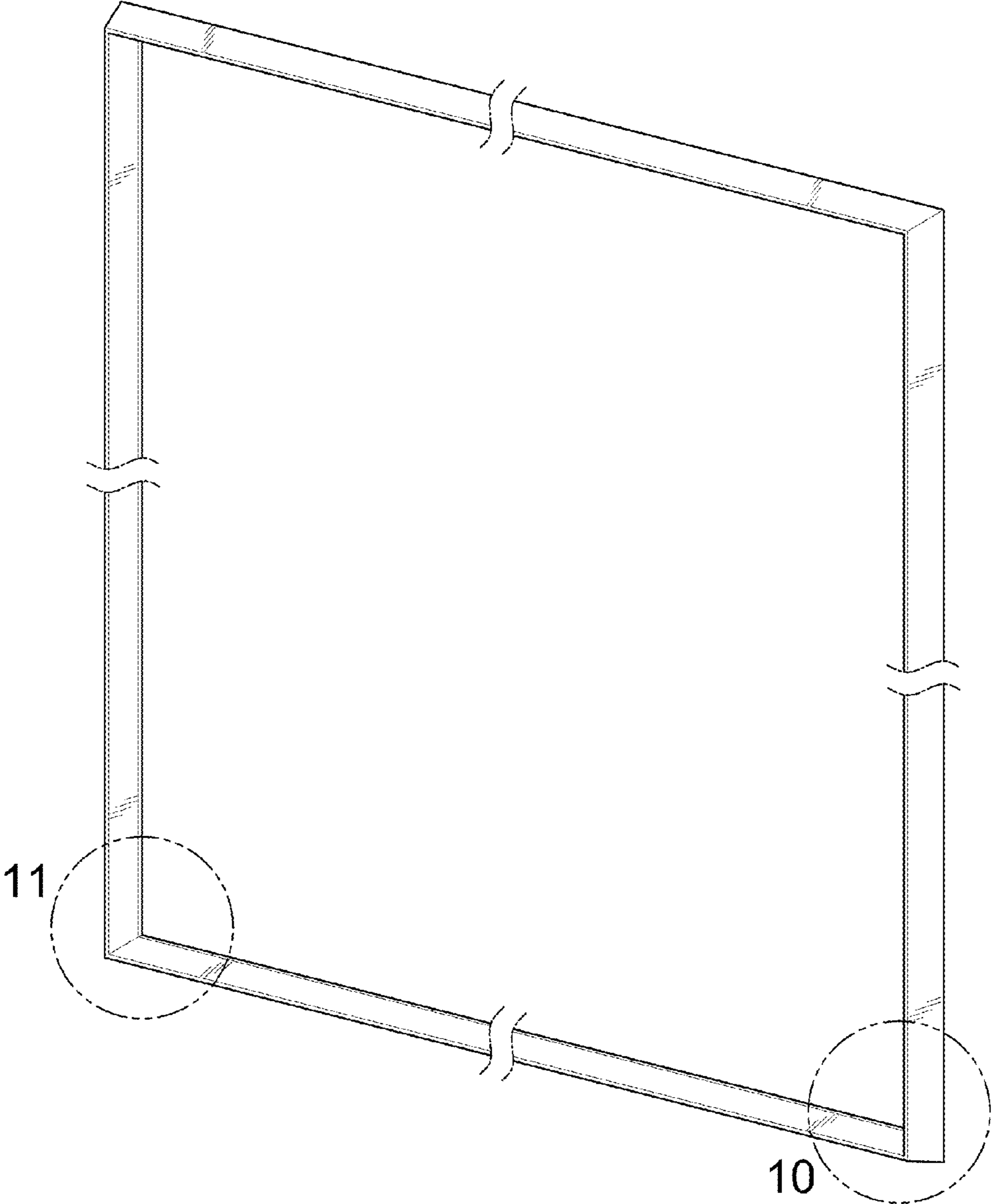


FIG. 2

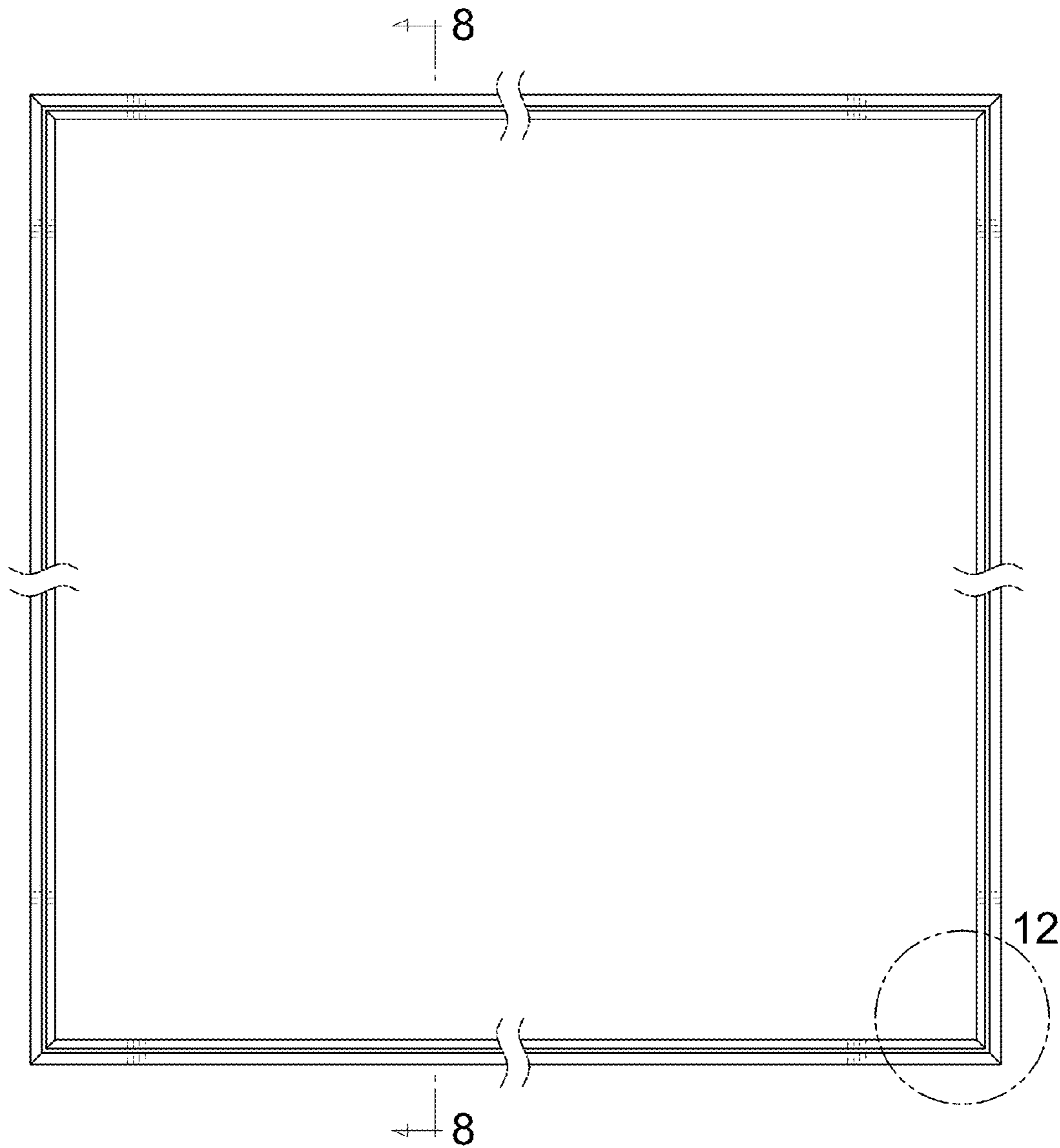


FIG. 3

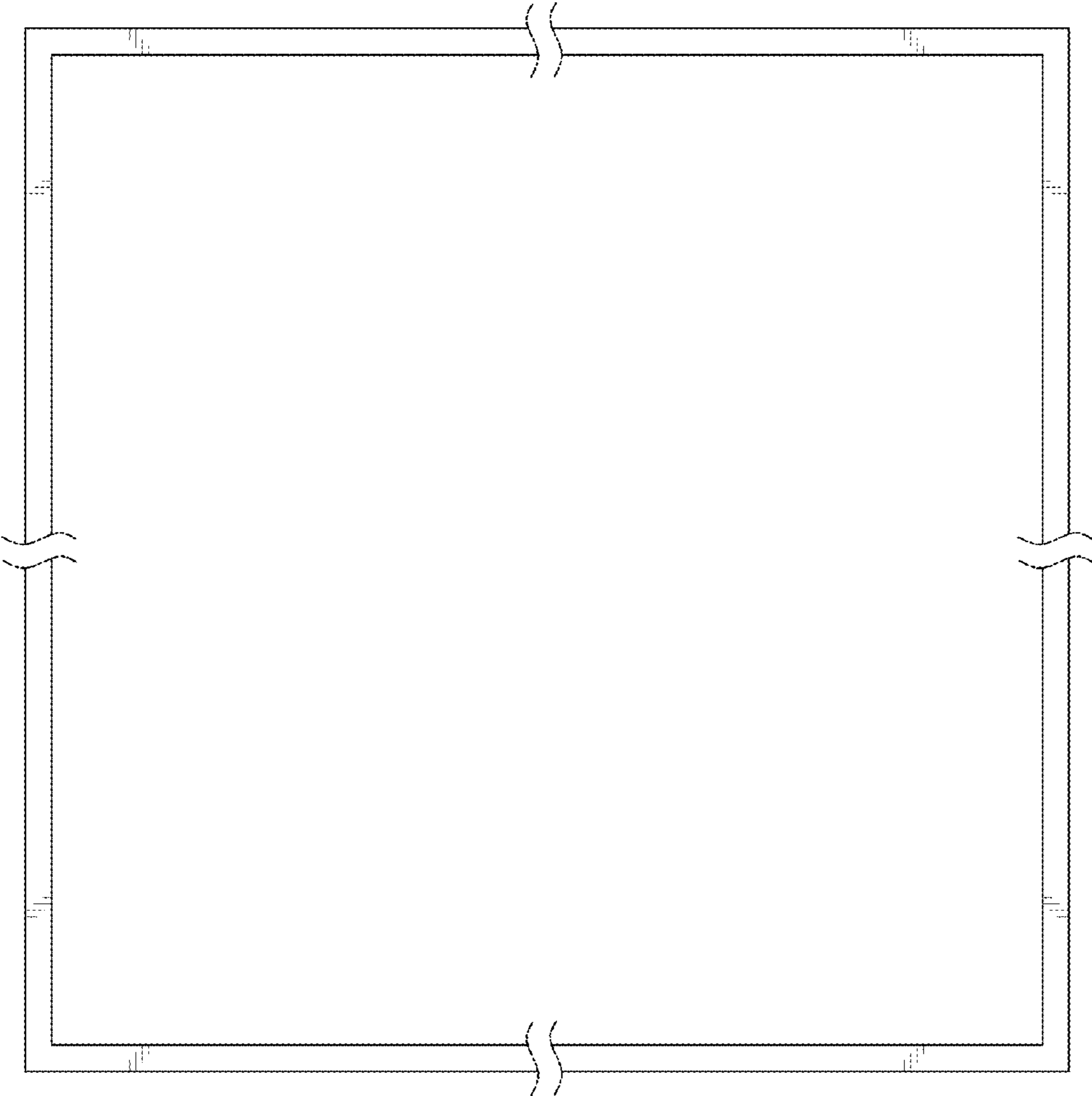


FIG. 4

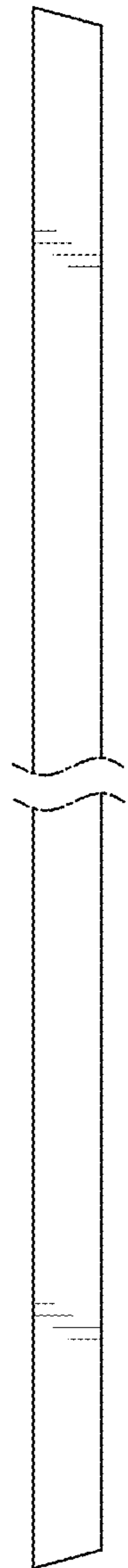


FIG. 5

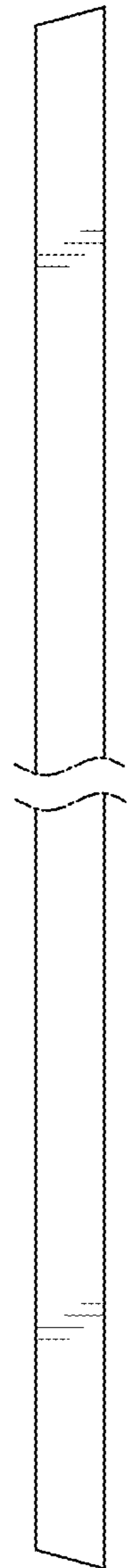


FIG. 6

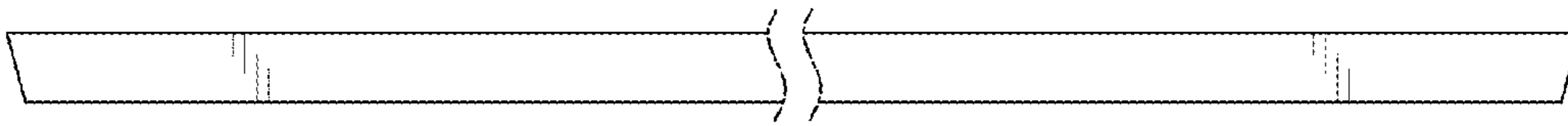


FIG. 7

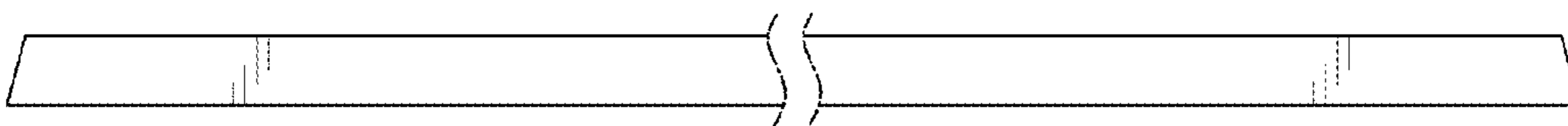


FIG. 8

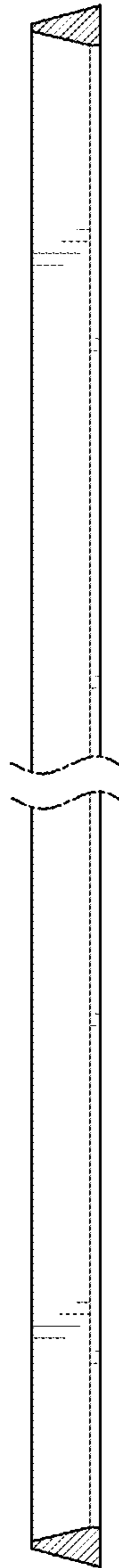




FIG. 9

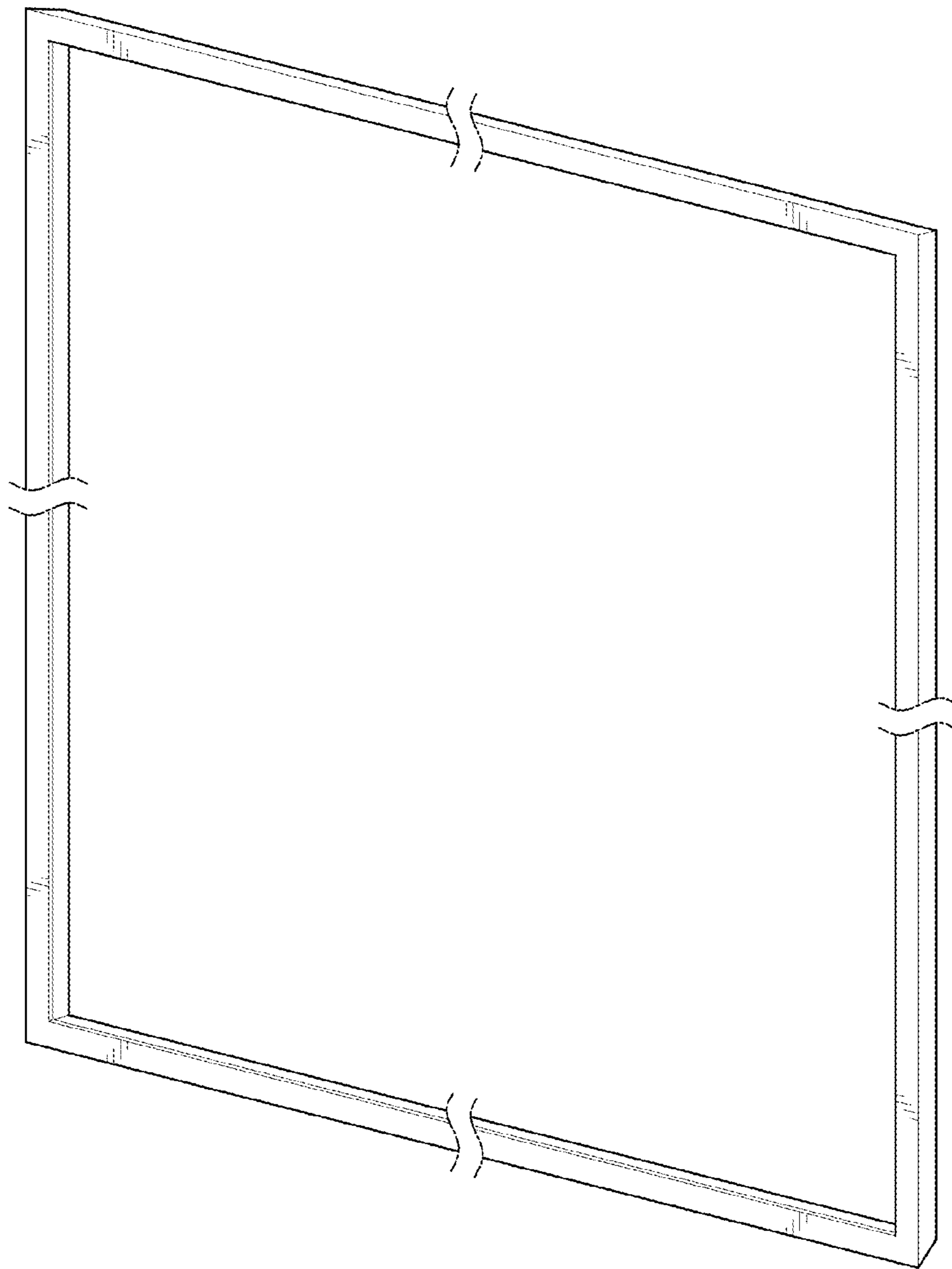


FIG. 10

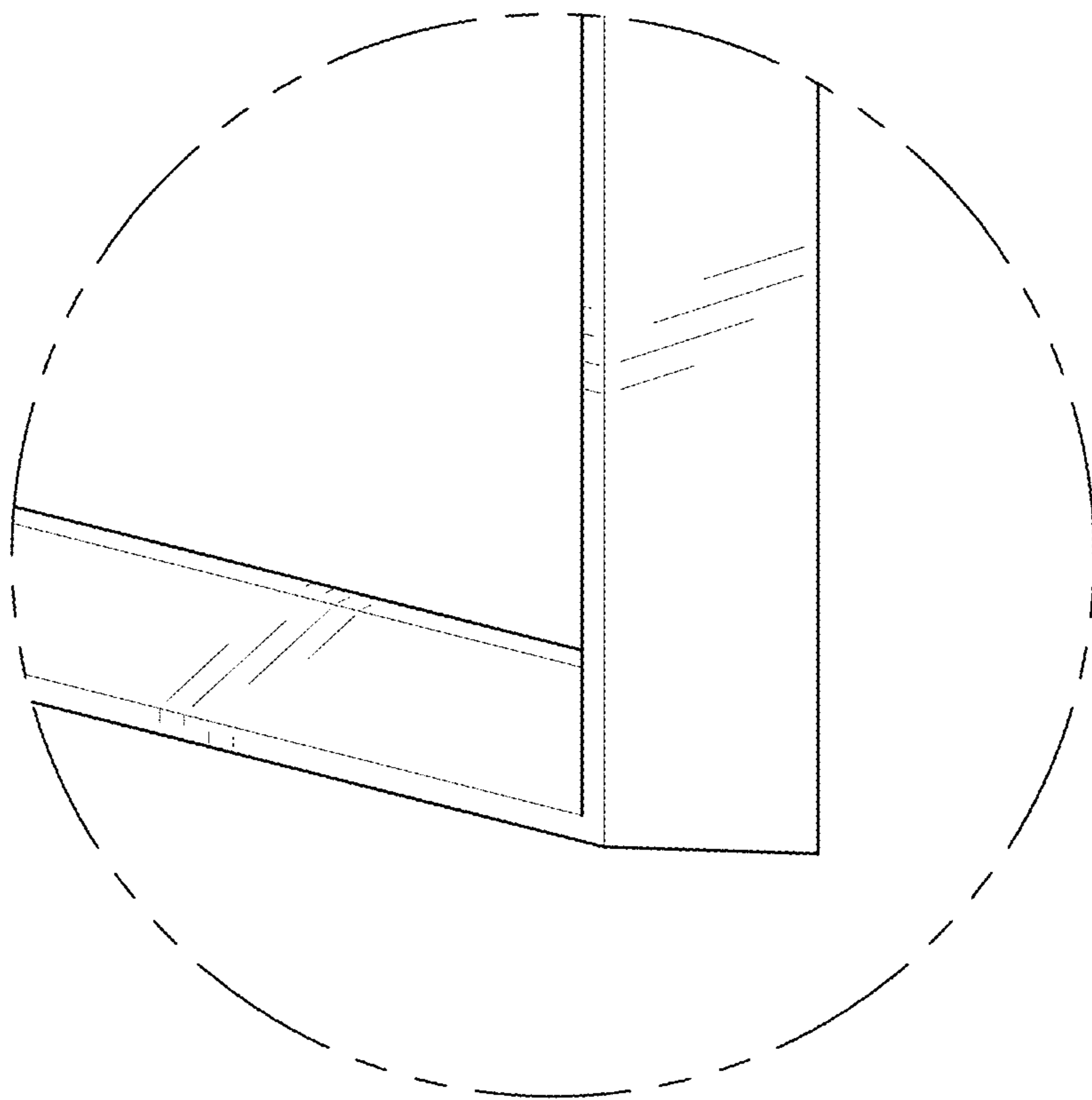


FIG. 11

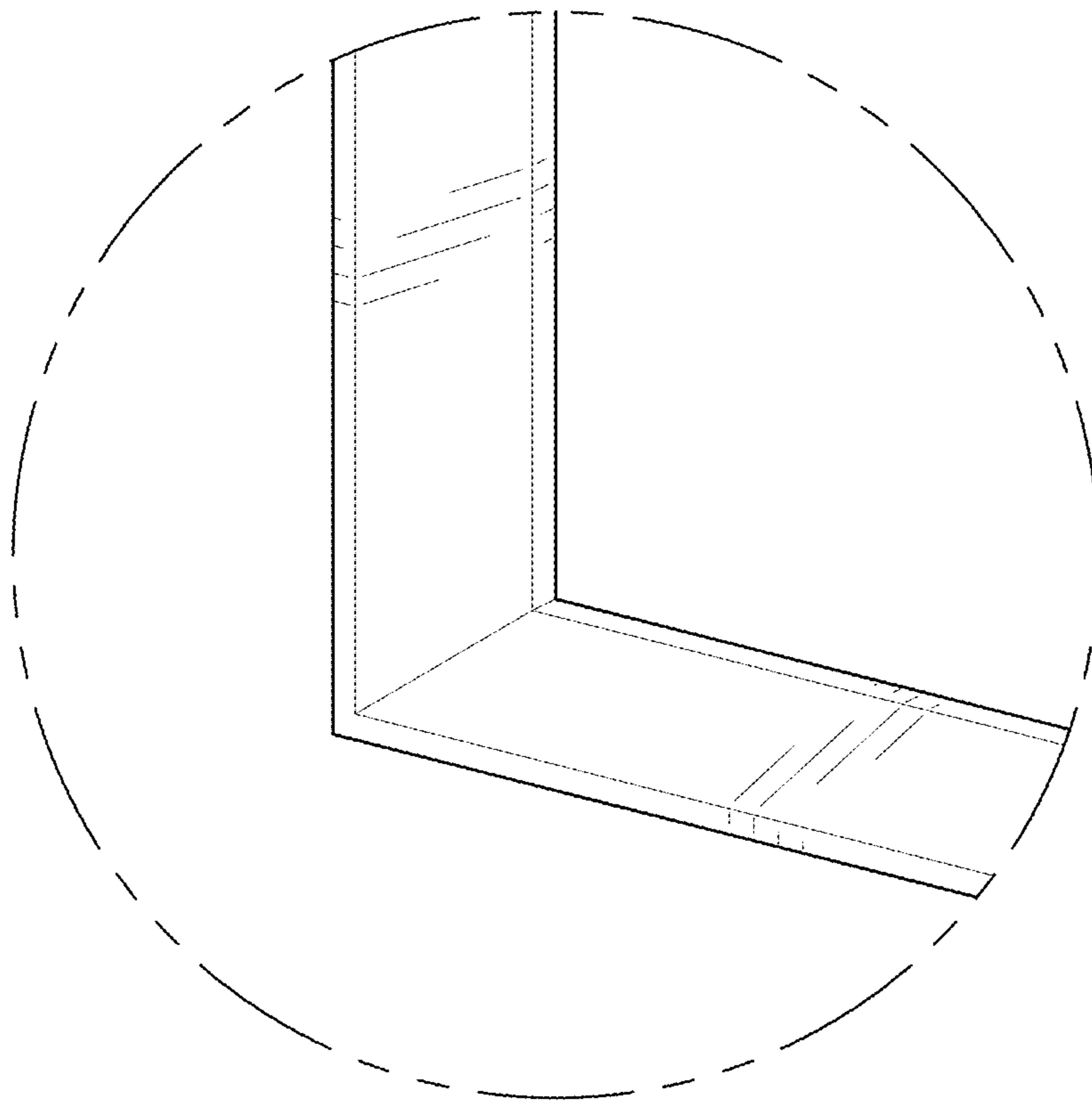


FIG. 12

