



US00D765064S

(12) **United States Design Patent**  
**Wengreen**

(10) **Patent No.:** **US D765,064 S**

(45) **Date of Patent:** **\*\* Aug. 30, 2016**

(54) **MOUNT FOR ELECTRONIC DEVICES**

(71) Applicant: **Innovelis, Inc.**, Sammamish, WA (US)

(72) Inventor: **Eric John Wengreen**, Sammamish, WA (US)

(73) Assignee: **Innovelis, Inc.**, Sammamish, WA (US)

(\*\*) Term: **15 Years**

(21) Appl. No.: **29/540,690**

(22) Filed: **Sep. 25, 2015**

(51) **LOC (10) Cl.** ..... **14-01**

(52) **U.S. Cl.**

USPC ..... **D14/238.1**; D6/567; D14/447

(58) **Field of Classification Search**

USPC ..... D14/253, 251, 252, 447, 451, 452, 440, D14/434, 458, 432, 439, 457, 460, 238.1, D14/140, 142, 149, 217, 148, 140.8, 140.11, D14/209.1, 151, 140.9, 250, 238; D13/107, D13/108; D12/415, 223, 114, 420, 417, D12/407, 177; D3/218; D16/242-245, 250, D16/237, 203, 214, 219; D6/675, 672, 673, D6/675.4, 553, 676, 310, 406.3, 406.4, D6/406.5, 406.6, 407, 567

CPC ..... B60R 2011/0008; B60R 11/02; B60R 11/0241; B60R 11/0258; B60R 11/0252; B60R 2011/0294; F16M 11/00; F16M 11/04; F16M 11/041; F16M 11/02; F16M 11/06; F16M 13/00; H04M 1/02; H04M 1/04; H04M 1/11; H04M 1/12; A47F 7/022; B62J 11/00; H05K 7/00; G03B 17/56

See application file for complete search history.

(56) **References Cited**

**U.S. PATENT DOCUMENTS**

1,618,573 A 2/1927 Cole  
2,584,646 A 2/1952 Wagstaff

3,091,378 A 5/1963 O'Dwyer  
D196,542 S \* 10/1963 Zelnick ..... 224/163  
3,176,950 A 4/1965 Hittesdorf  
3,279,009 A 10/1966 Teasdale  
3,294,298 A 12/1966 Danielson  
3,477,679 A 11/1969 Lovitz  
3,990,617 A 11/1976 Carter  
D242,766 S 12/1976 Neece

(Continued)

**OTHER PUBLICATIONS**

Out of Sight Bracket—Website Part 1 (downloaded on Nov. 13, 2013 from [http://www.outofsightbracket.com/OutOfSightBracket/Out\\_of\\_Sight\\_Bracket\\_for\\_Apple\\_TV.html](http://www.outofsightbracket.com/OutOfSightBracket/Out_of_Sight_Bracket_for_Apple_TV.html)). The website says the Out of Sight Bracket is “Patent Pending.” The Out of Sight Bracket might have been made by Gordon H. Beckhart.

(Continued)

*Primary Examiner* — Susan Bennett Hattan

*Assistant Examiner* — Janice Hallmark

(57) **CLAIM**

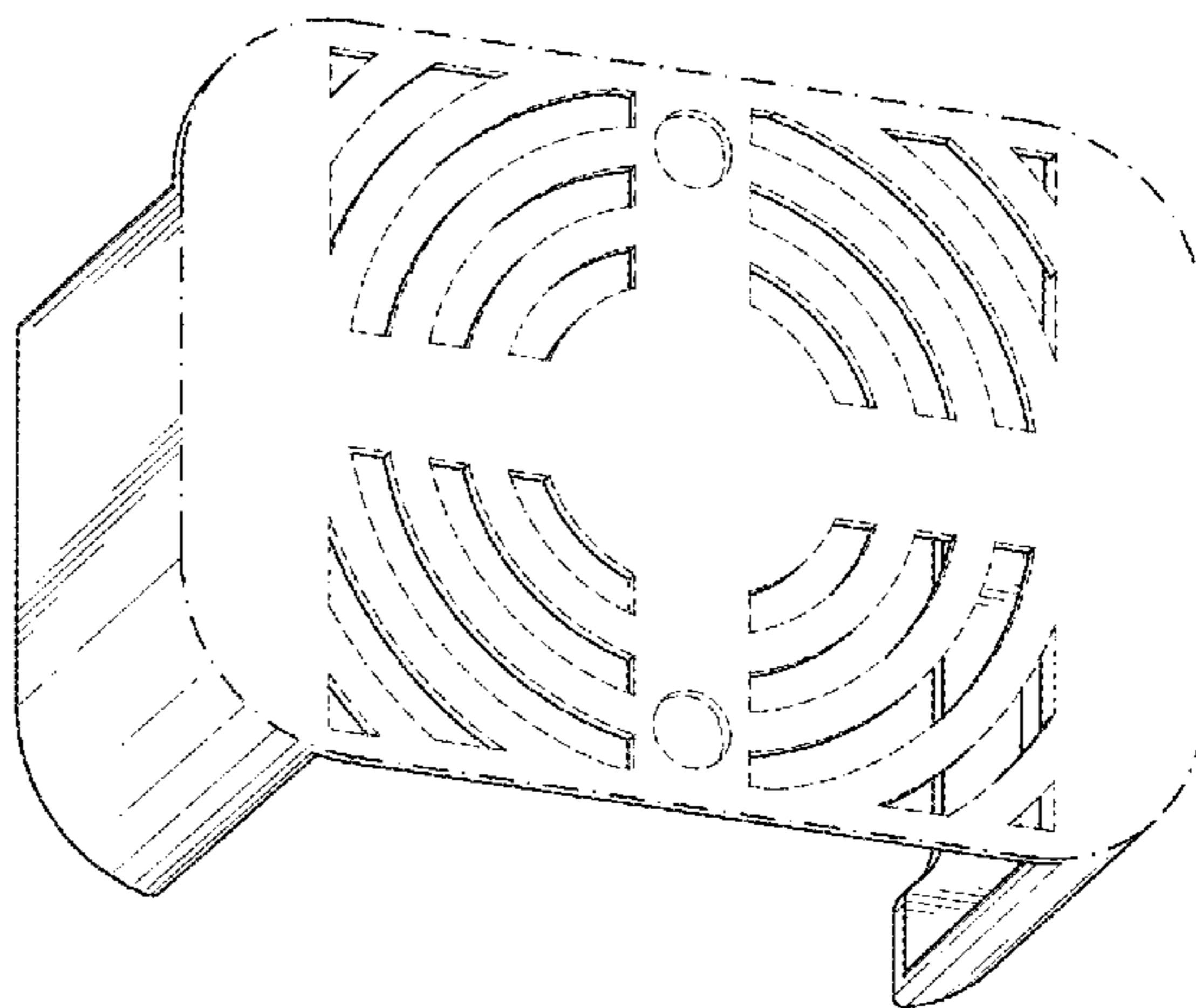
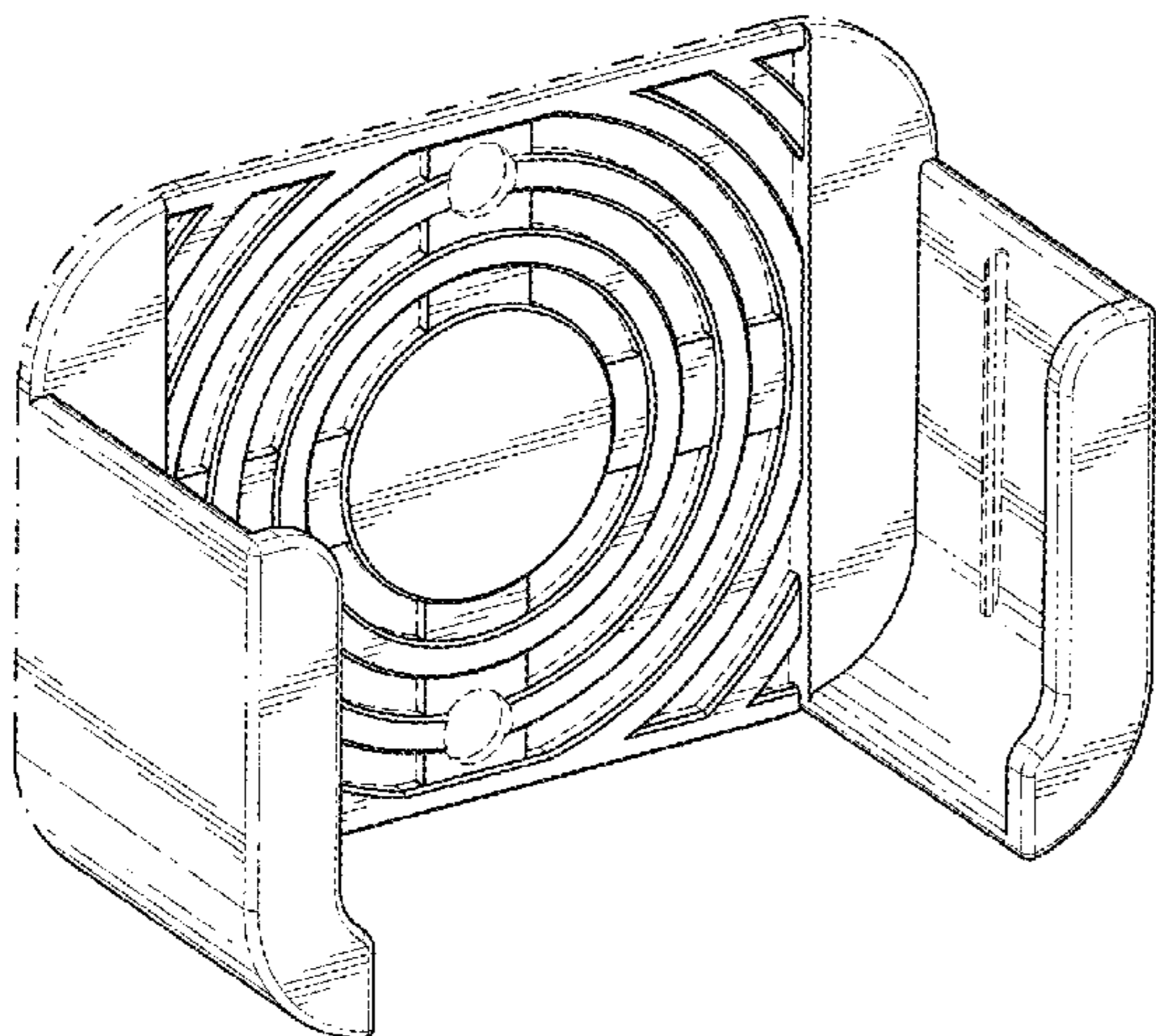
The ornamental design for a mount for electronic devices, as shown and described.

**DESCRIPTION**

FIG. 1 is a front, side, and top perspective view of a mount for electronic devices embodying the new design; FIG. 2 is a back, side, and bottom perspective view thereof; FIG. 3 is a front view thereof; FIG. 4 is a back view thereof; FIG. 5 is a top view thereof; FIG. 6 is a bottom view thereof; and, FIG. 7 is a first side view thereof, the second side view being a mirror image.

The dash-dot-dash broken lines in the drawings depict the boundaries of the claim and the dash-dash broken lines depict parts of the mount for electronic devices; all broken lines form no part of the claimed design.

**1 Claim, 3 Drawing Sheets**



(56)

References Cited

U.S. PATENT DOCUMENTS

4,067,532 A 1/1978 Viteretto  
 4,158,450 A 6/1979 Suzuki  
 4,467,244 A 8/1984 Dickie  
 4,519,656 A 5/1985 Raz  
 D280,466 S \* 9/1985 Seltzer ..... D12/422  
 4,602,761 A 7/1986 Carter  
 4,697,780 A 10/1987 Wenkman  
 4,746,042 A 5/1988 King  
 4,771,927 A 9/1988 Ventura  
 4,815,683 A 3/1989 Ferrante  
 4,825,590 A 5/1989 Cullinane  
 4,826,115 A 5/1989 Novitski  
 4,840,773 A 6/1989 Wade  
 4,852,843 A 8/1989 Chandler  
 4,974,764 A 12/1990 Cantwell  
 5,038,985 A 8/1991 Chapin  
 5,092,395 A 3/1992 Amidzich  
 5,227,582 A 7/1993 Velasco  
 5,273,690 A 12/1993 McDowell  
 5,297,318 A 3/1994 Adolphson  
 D351,341 S 10/1994 Hung  
 5,385,282 A 1/1995 Chen  
 5,400,990 A 3/1995 Frankel  
 D359,616 S 6/1995 Ishibashi  
 D361,335 S 8/1995 Rudkiewicz  
 D361,462 S \* 8/1995 Newham ..... D6/567  
 D369,465 S \* 5/1996 Scheid ..... D3/218  
 5,535,093 A 7/1996 Noguchi  
 5,593,124 A 1/1997 Wang  
 5,619,395 A 4/1997 McBride  
 5,619,774 A 4/1997 Perry  
 D388,107 S 12/1997 Huckins  
 D390,849 S 2/1998 Richter  
 5,850,998 A 12/1998 Parsey  
 D409,079 S 5/1999 Sobczynski  
 5,899,371 A 5/1999 Weliver  
 D411,542 S 6/1999 Richter  
 5,914,707 A 6/1999 Kono  
 5,961,083 A 10/1999 Hartman  
 5,979,724 A 11/1999 Loewenthal  
 6,039,173 A 3/2000 Crow  
 D425,353 S \* 5/2000 Foy ..... D24/134  
 6,102,660 A 8/2000 Lee  
 6,105,923 A 8/2000 Robertson  
 D431,250 S 9/2000 Richter  
 6,163,997 A 12/2000 Deralas  
 6,193,546 B1 2/2001 Sadler  
 D443,493 S 6/2001 Skeem  
 6,275,885 B1 8/2001 Chin  
 6,336,615 B1 1/2002 Jeon  
 D456,024 S 4/2002 Richter  
 D456,413 S 4/2002 Malson  
 6,485,144 B1 11/2002 Liao  
 D471,547 S 3/2003 Ruohonen  
 6,554,527 B1 4/2003 O'Donnell  
 6,560,983 B1 5/2003 Schimmeyer  
 6,691,374 B2 2/2004 Coyne  
 6,888,940 B1 5/2005 Deppen  
 D508,605 S 8/2005 Hwang et al.  
 6,939,641 B2 9/2005 Kincaid  
 7,047,601 B1 5/2006 Vernon-Woods  
 7,079,384 B2 7/2006 Wang  
 7,080,764 B2 7/2006 McNicholas  
 7,113,218 B2 9/2006 Battles  
 D529,713 S 10/2006 Guyot  
 D529,905 S 10/2006 Richter  
 D530,713 S 10/2006 Richter  
 D533,175 S 12/2006 Richter  
 7,145,603 B2 12/2006 Whitby  
 D535,826 S 1/2007 Toghianian  
 D536,239 S 2/2007 Tallman  
 7,222,762 B2 5/2007 Rees  
 D545,343 S 6/2007 Braun  
 D547,863 S \* 7/2007 Heinsch ..... D24/128  
 D551,008 S \* 9/2007 Hidalgo ..... D6/567

D560,411 S 1/2008 Chung  
 D565,399 S 4/2008 Grey  
 7,367,089 B2 5/2008 Cooke  
 D570,801 S 6/2008 Allen  
 D586,795 S 2/2009 Richter  
 D596,172 S \* 7/2009 Ahlqvist ..... D14/251  
 D598,945 S 8/2009 Gillespie  
 7,580,255 B2 8/2009 Crooijmans  
 D609,030 S 2/2010 Barabas  
 D610,579 S \* 2/2010 Behar ..... D14/250  
 D624,949 S 10/2010 Nakayama  
 D625,729 S 10/2010 McNames  
 D628,611 S 12/2010 Lewis  
 7,854,420 B2 12/2010 Depay  
 D633,503 S 3/2011 Bo  
 7,959,121 B1 6/2011 Barnes  
 7,980,435 B2 7/2011 Tages  
 D648,727 S 11/2011 Van Den Nieuwenhuizen  
 D657,362 S 4/2012 Lister  
 D662,491 S 6/2012 Andre  
 D667,411 S 9/2012 Kim  
 D672,308 S 12/2012 Cobbett  
 8,322,584 B2 12/2012 Dethmers  
 8,544,805 B2 10/2013 Virgin  
 D695,748 S 12/2013 Morris  
 8,848,113 B2 9/2014 Wengreen  
 D714,793 S 10/2014 Kim  
 8,896,768 B1 11/2014 Wengreen  
 8,934,060 B1 1/2015 Wengreen  
 8,934,061 B1 1/2015 Wengreen  
 8,939,417 B1 1/2015 Wengreen  
 D723,042 S 2/2015 Lee  
 8,988,616 B2 3/2015 Wengreen  
 9,131,195 B2 9/2015 Wengreen  
 D749,549 S \* 2/2016 Wengreen ..... D14/238  
 D749,597 S \* 2/2016 Wengreen ..... D14/447  
 2005/0023419 A1 2/2005 Frankel  
 2005/0211861 A1 9/2005 Lee  
 2005/0236541 A1 10/2005 Chang  
 2006/0224575 A1 10/2006 Ostojic  
 2007/0097617 A1 5/2007 Searby  
 2007/0235609 A1 10/2007 Chun  
 2007/0264169 A1 11/2007 Chen  
 2008/0078793 A1 4/2008 Brown  
 2009/0218454 A1 9/2009 Stanley  
 2009/0296997 A1 12/2009 Rocheford  
 2010/0281671 A1 11/2010 De Vaan  
 2010/0288895 A1 11/2010 Shamie  
 2010/0314277 A1 12/2010 Murray  
 2012/0126081 A1 5/2012 Wengreen  
 2012/0127379 A1 5/2012 Wengreen  
 2012/0312950 A1 12/2012 Sears  
 2014/0061406 A1 3/2014 Chevalier

OTHER PUBLICATIONS

Out of Sight Bracket—Website Part 2 (downloaded on Nov. 13, 2013 from [http://www.outofsightbracket.com/OutOfSightBracket/How\\_to\\_mount\\_your\\_Apple\\_TV\\_or\\_AirPort\\_Express.html](http://www.outofsightbracket.com/OutOfSightBracket/How_to_mount_your_Apple_TV_or_AirPort_Express.html)). The website says the Out of Sight Bracket is “Patent Pending.” The Out of Sight Bracket might have been made by Gordon H. Beckhart.  
 Out of Sight Bracket—Website Part 3 (downloaded on Nov. 13, 2013 from <http://www.soundandvision.com/content/bracket-keeps-apple-airport-express-and-apple-tv-out-sight>).  
 TV Tray—Website (downloaded on Nov. 13, 2013 from <http://h-sq.com/products/tvtray/>).  
 TV Tray—Installation Guide (downloaded on Nov. 13, 2013 from [http://www.h-sq.com/downloads/tvtx\\_ug.pdf](http://www.h-sq.com/downloads/tvtx_ug.pdf)).  
 Cosmos Tray—Website (downloaded on Nov. 13, 2013 from [http://www.amazon.com/Cosmos-MD199LL-AirPort-Express-Station/dp/B00C2JNGB2/ref=sr\\_1\\_4?ie=UTF8&qid=1384406376&sr=8-4&keywords=apple+tv+mount](http://www.amazon.com/Cosmos-MD199LL-AirPort-Express-Station/dp/B00C2JNGB2/ref=sr_1_4?ie=UTF8&qid=1384406376&sr=8-4&keywords=apple+tv+mount)).  
 CTA Digital—Website (downloaded on Nov. 13, 2013 from <http://www.ctadigital.com/downloads/KIN-WMC-final.pdf>).  
 PDP Mounting Clip—Part 1 (downloaded on Nov. 13, 2013 from <http://www.amazon.com/Kinect-Sensor-TV-Mounting-Clip-Xbox/dp/B004XV6ST4>).

(56)

**References Cited**

## OTHER PUBLICATIONS

PDP Mounting Clip—Part 2 (downloaded on Nov. 13, 2013 from [http://www.microsoftstore.com/store/msusa/en\\_US/pdp/Kinect-Sensor-TV-Mounting-Clip/productID.253726200](http://www.microsoftstore.com/store/msusa/en_US/pdp/Kinect-Sensor-TV-Mounting-Clip/productID.253726200)).

PDP Mounting Clip—Part 3 (downloaded on Nov. 13, 2013 from <http://www.bestbuy.com/site/pdp-sensor-mounting-clip-for-kinect/3521258.p?id=1218408957863&skuId=3521258>).

ScreenDeck (downloaded on Nov. 13, 2013 from [http://news.cnet.com/8301-17938\\_105-20071226-1/screendeck-adds-top-shelf-to-your-flat-panel-tv/](http://news.cnet.com/8301-17938_105-20071226-1/screendeck-adds-top-shelf-to-your-flat-panel-tv/)).

Center Stage Bracket—Part 1 (downloaded on Nov. 13, 2013 from <http://www.bestbuy.com/site/center-stage-bracket-satellite-center-channel-speaker-shelf-bracket-black/5857191.p?id=1218697292805&skuId=5857191>).

Center Stage Bracket—Part 2 (downloaded on Nov. 13, 2013 from <http://www.bestbuy.com/site/center-stage-bracket-satellite-center-channel-speaker-shelf-bracket-black/5857191.p?id=1218697292805&skuId=5857191>).

DreamGear TriMount (downloaded on Nov. 14, 2013 from <http://www.dreamgear.net/shop-by-platform/universal/trimount.html>).

Cisco router wall mounting instructions (downloaded on Jan. 2, 2014 from <http://www.cisco.com/en/US/docs/routers/access/1800/1841/hardware/installation/guide/18inst.pdf>).

Cisco wall mounting bracket (downloaded on Jan. 2, 2014 from <http://www.cisco.com/en/US/docs/routers/access/800/806/hardware/installation/guide/install.pdf>).

Netgear ProSafe (downloaded on Jan. 2, 2014 from [http://www.storagereview.com/netgear\\_prosafe\\_wndap660\\_dualband\\_wireless\\_access\\_point\\_review](http://www.storagereview.com/netgear_prosafe_wndap660_dualband_wireless_access_point_review)) article includes a date of Dec. 21, 2012.

Wireless router picture (downloaded on Jan. 2, 2014 from <http://www.techwarelabs.com/wp-content/gallery/engenius-esr9850-wireless-router/router-bottom.jpg>).

Apple TV, downloaded on Feb. 3, 2014 from <http://www.apple.com/appletv/what-is/>.

Roku media players—Part 1, downloaded on Feb. 3, 2014 from <http://www.roku.com/products/roku-2>.

Roku media players—Part 2, downloaded on Feb. 3, 2014 from <http://www.roku.com/products/compare>.

Innovelis, Inc. Product—TotalMount—Apple TV Mounting Kit, downloaded from Amazon.com on Feb. 3, 2014, first available on Amazon.com on Jun. 22, 2011: [http://www.amazon.com/TotalMount-Apple-Universal-Mounting-Kit/dp/B0057CVH6W/ref=sr\\_1\\_1?ie=UTF8&qid=1391473446&sr=8-1&keywords=TOTALMOUNT](http://www.amazon.com/TotalMount-Apple-Universal-Mounting-Kit/dp/B0057CVH6W/ref=sr_1_1?ie=UTF8&qid=1391473446&sr=8-1&keywords=TOTALMOUNT).

Innovelis, Inc. Product—TotalMount—Roku Mounting Kit, downloaded from Amazon.com on Feb. 3, 2014, first available on Amazon.com on Jun. 14, 2012: <http://www.amazon.com/>

TotalMount-ROKU-UNIVERSAL-MOUNTING-Compatible/dp/B008B1125W/ref=sr\_1\_2?ie=UTF8&qid=1391473922&sr=8-2&keywords=totalmount.

Innovelis, Inc. Product—TotalMount—Remote Holder, downloaded from Amazon.com on Feb. 3, 2014, first available on Amazon.com on Jul. 2, 2013: [http://www.amazon.com/Apple-TV-Remote-Holder-TotalMount/dp/B00DR76YJO/ref=sr\\_1\\_3?ie=UTF8&qid=1391474218&sr=8-3&keywords=totalmount](http://www.amazon.com/Apple-TV-Remote-Holder-TotalMount/dp/B00DR76YJO/ref=sr_1_3?ie=UTF8&qid=1391474218&sr=8-3&keywords=totalmount).

Innovelis, Inc. Product—TotalMount—AirPort Express Mounting Kit, downloaded from Amazon.com on Feb. 3, 2014 first available on Amazon.com in approximately Sep. 2012: [http://www.amazon.com/TotalMount-AirPort-Express-Mounting-Kit/dp/B009HC7BL8/ref=sr\\_1\\_4?ie=UTF8&qid=1391474218&sr=8-4&keywords=totalmount](http://www.amazon.com/TotalMount-AirPort-Express-Mounting-Kit/dp/B009HC7BL8/ref=sr_1_4?ie=UTF8&qid=1391474218&sr=8-4&keywords=totalmount).

Innovelis, Inc. Product—TotalMount—Roku Mounting Kit (Version 1), downloaded from Amazon.com on Feb. 3, 2014, first available on Amazon.com on Jan. 19, 2012: [http://www.amazon.com/TotalMount-ROKU-MOUNTING-Compatible-Roku/dp/B006ZS4R46/ref=sr\\_1\\_5?ie=UTF8&qid=1391474218&sr=8-5&keywords=totalmount](http://www.amazon.com/TotalMount-ROKU-MOUNTING-Compatible-Roku/dp/B006ZS4R46/ref=sr_1_5?ie=UTF8&qid=1391474218&sr=8-5&keywords=totalmount).

Innovelis, Inc. Product—TotalMount—AirPort Extreme Mounting Kit, downloaded from Amazon.com on Feb. 3, 2014, first available on Amazon.com in approximately Apr. 2013: [http://www.amazon.com/TotalMount-Compatible-generations-compatible-generation/dp/B00CK2CDLK/ref=sr\\_1\\_7?ie=UTF8&qid=1391474218&sr=8-7&keywords=totalmount](http://www.amazon.com/TotalMount-Compatible-generations-compatible-generation/dp/B00CK2CDLK/ref=sr_1_7?ie=UTF8&qid=1391474218&sr=8-7&keywords=totalmount).

Innovelis, Inc. Product—TotalMount—Vizio Mounting Kit, downloaded from Amazon.com on Feb. 3, 2014, first available on Amazon.com in approximately May 2013: [http://www.amazon.com/TotalMount-VIZIO-Co-Star-Mounting-Kit/dp/B00GDMXSZ8/ref=sr\\_1\\_10?ie=UTF8&qid=1391474218&sr=8-10&keywords=totalmount](http://www.amazon.com/TotalMount-VIZIO-Co-Star-Mounting-Kit/dp/B00GDMXSZ8/ref=sr_1_10?ie=UTF8&qid=1391474218&sr=8-10&keywords=totalmount).

Amazon Fire TV, downloaded on Jun. 2, 2014 from <http://www.amazon.com/Fire-TV-streaming-media-player/dp/B00CX5P8FC>.

Logitech HD Pro Webcam C910, downloaded on Oct. 9, 2014 from [http://www.amazon.com/Logitech-Webcam-C910-1080p-Video/dp/B003M2YT96/ref=sr\\_1\\_6?ie=UTF8&qid=1287528024&sr=8-6](http://www.amazon.com/Logitech-Webcam-C910-1080p-Video/dp/B003M2YT96/ref=sr_1_6?ie=UTF8&qid=1287528024&sr=8-6).

HP KQ246AA 8.0 MP Deluxe Webcam, downloaded on Oct. 9, 2014 from [http://www.amazon.com/HP-KQ246AA-8-0-Deluxe-Webcam/dp/B001D8AGA2/ref=sr\\_1\\_4?ie=UTF8&qid=1410543707&sr=8-4&keywords=hp+webcam](http://www.amazon.com/HP-KQ246AA-8-0-Deluxe-Webcam/dp/B001D8AGA2/ref=sr_1_4?ie=UTF8&qid=1410543707&sr=8-4&keywords=hp+webcam).

Logitech Webcam C200, downloaded on Oct. 9, 2014 from [http://www.amazon.com/Logitech-960-000415-Webcam-C200/dp/B002GP7ZTQ/ref=pd\\_cp\\_pc\\_0](http://www.amazon.com/Logitech-960-000415-Webcam-C200/dp/B002GP7ZTQ/ref=pd_cp_pc_0).

USB 6 LED PC Webcam, downloaded on Oct. 9, 2014 from [http://www.amazon.com/Webcam-Camera-Night-Vision-Meeting/dp/B00MTGV4F8/ref=sr\\_1\\_88?s=electronics&ie=UTF8&qid=1410543946&sr=1-88&keywords=webcam+clamp](http://www.amazon.com/Webcam-Camera-Night-Vision-Meeting/dp/B00MTGV4F8/ref=sr_1_88?s=electronics&ie=UTF8&qid=1410543946&sr=1-88&keywords=webcam+clamp).

\* cited by examiner

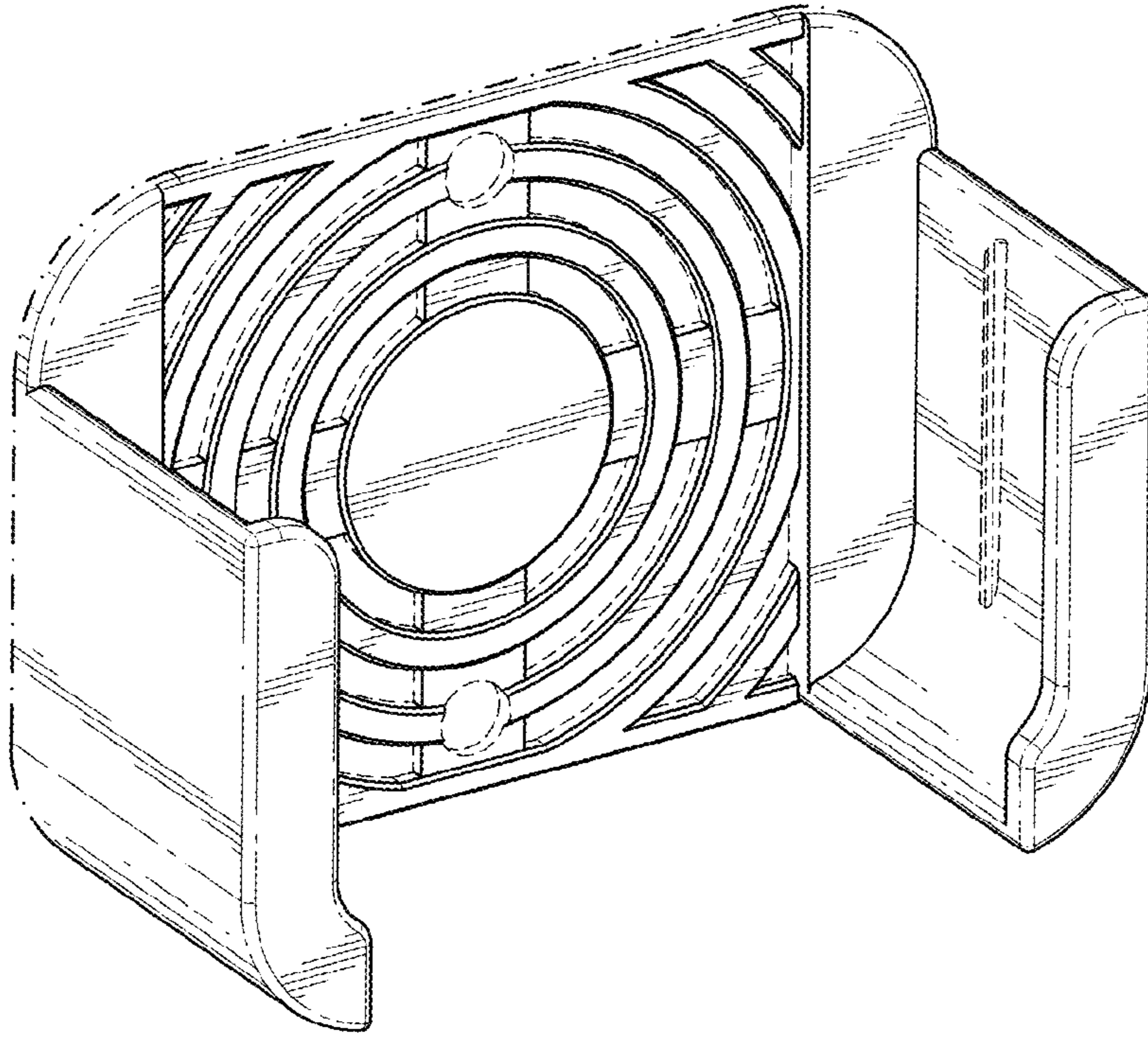


FIG. 1

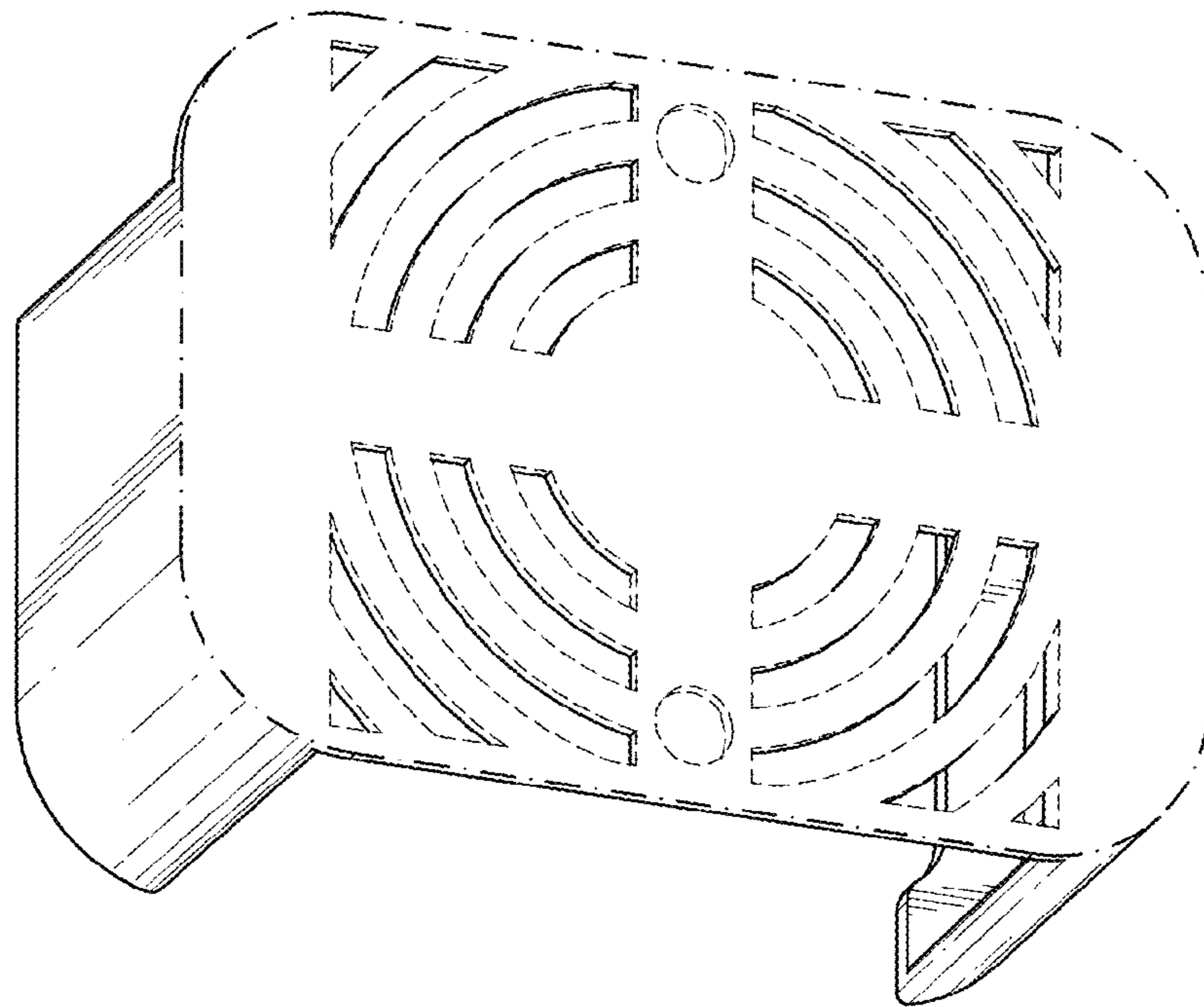


FIG. 2

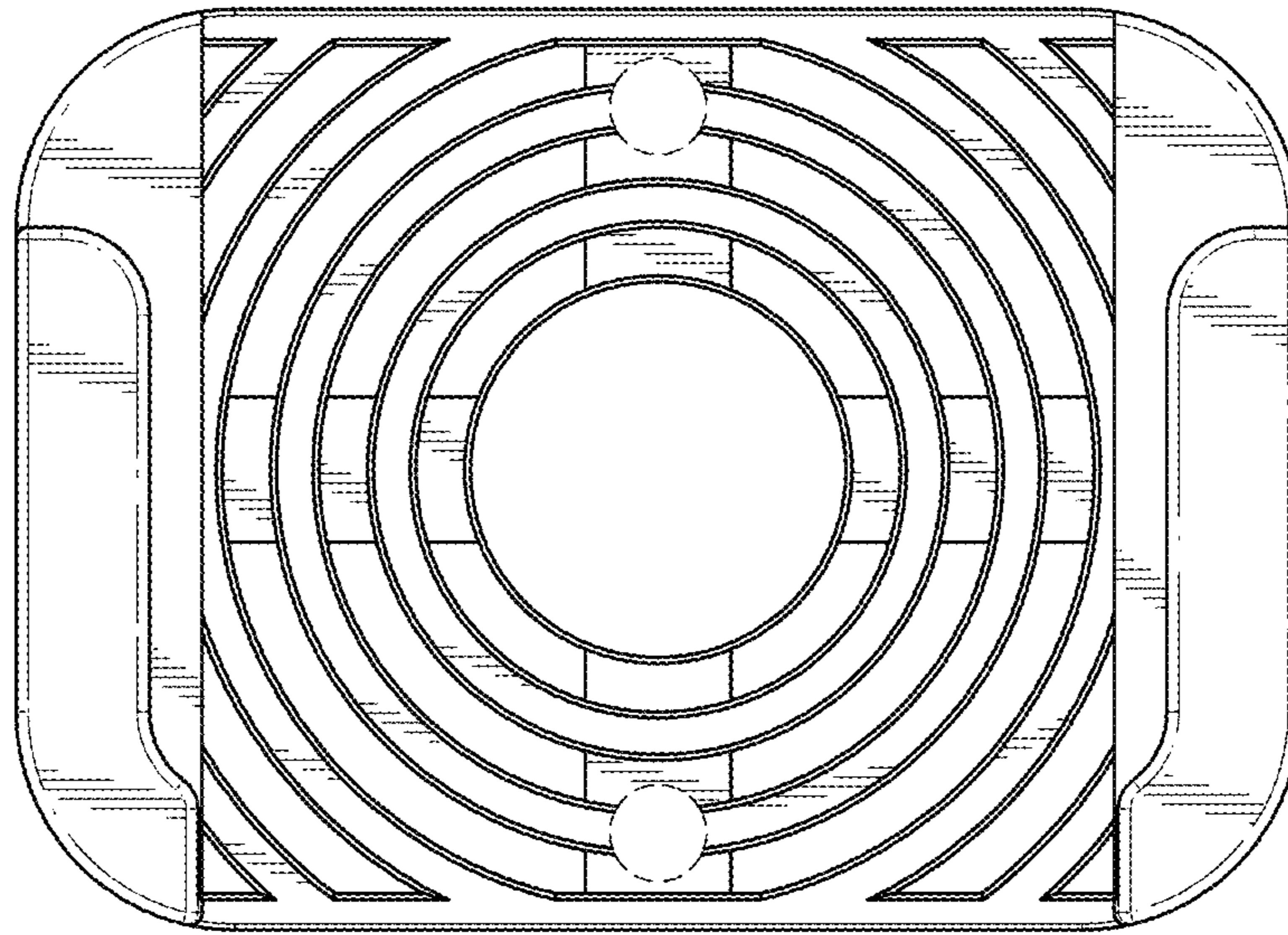


FIG. 3

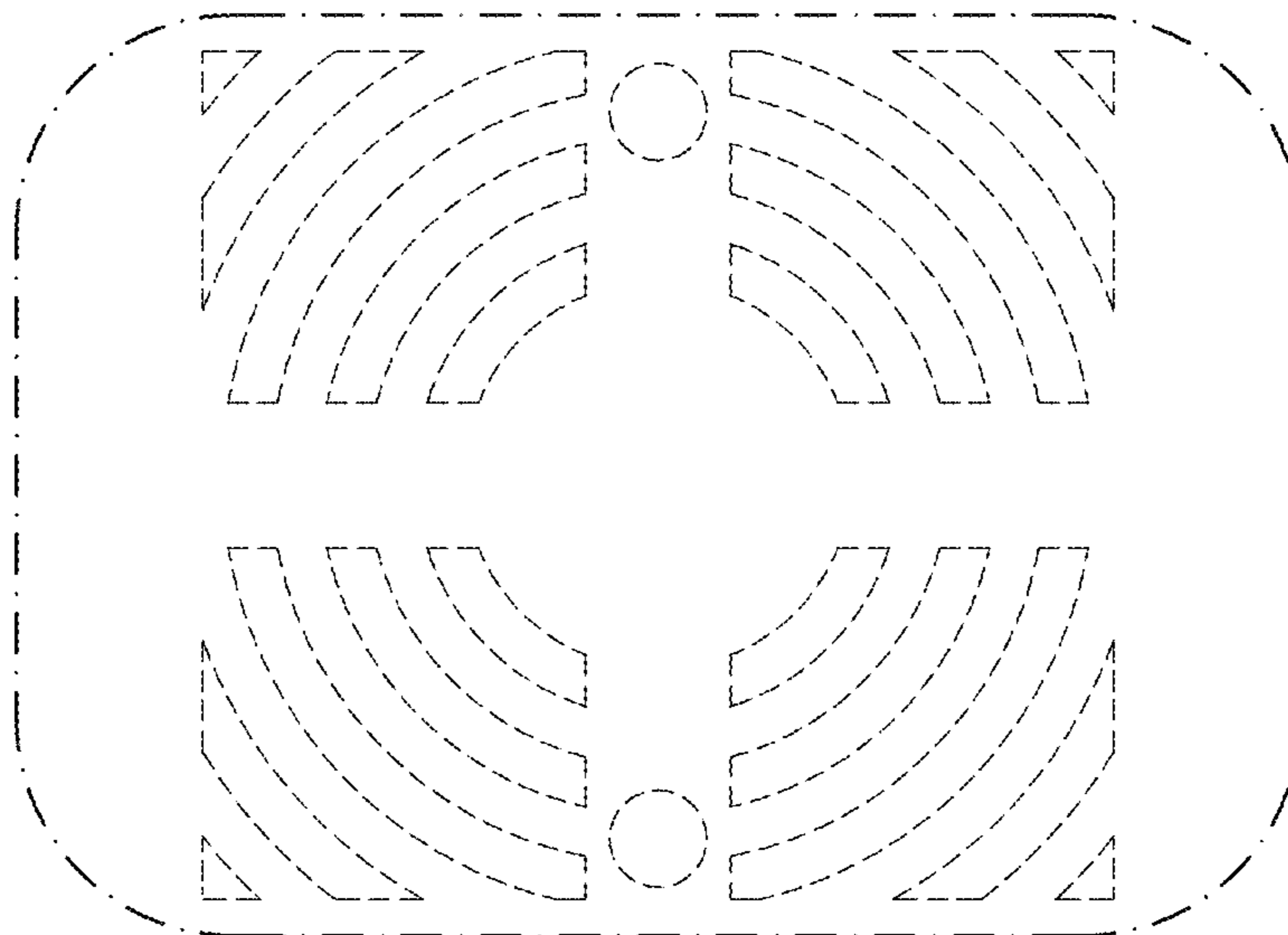


FIG. 4

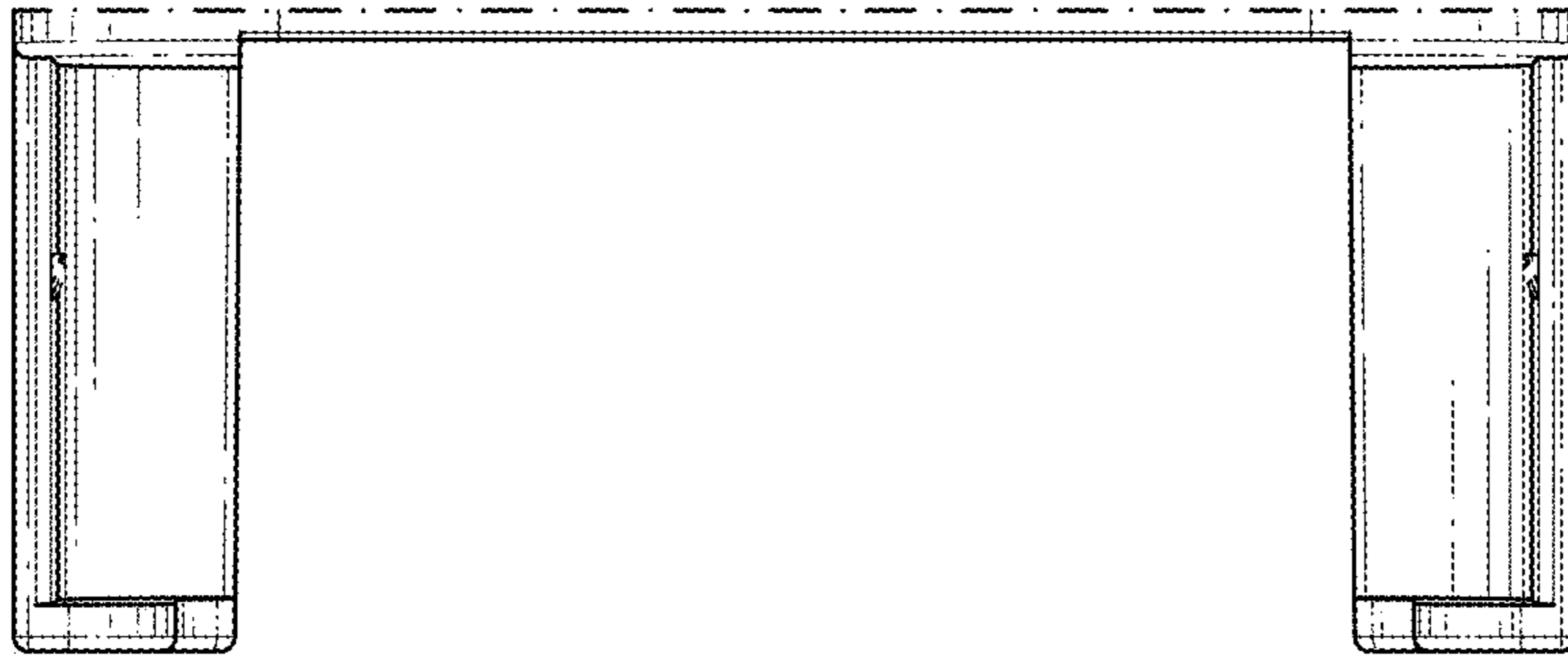


FIG. 5



FIG. 6

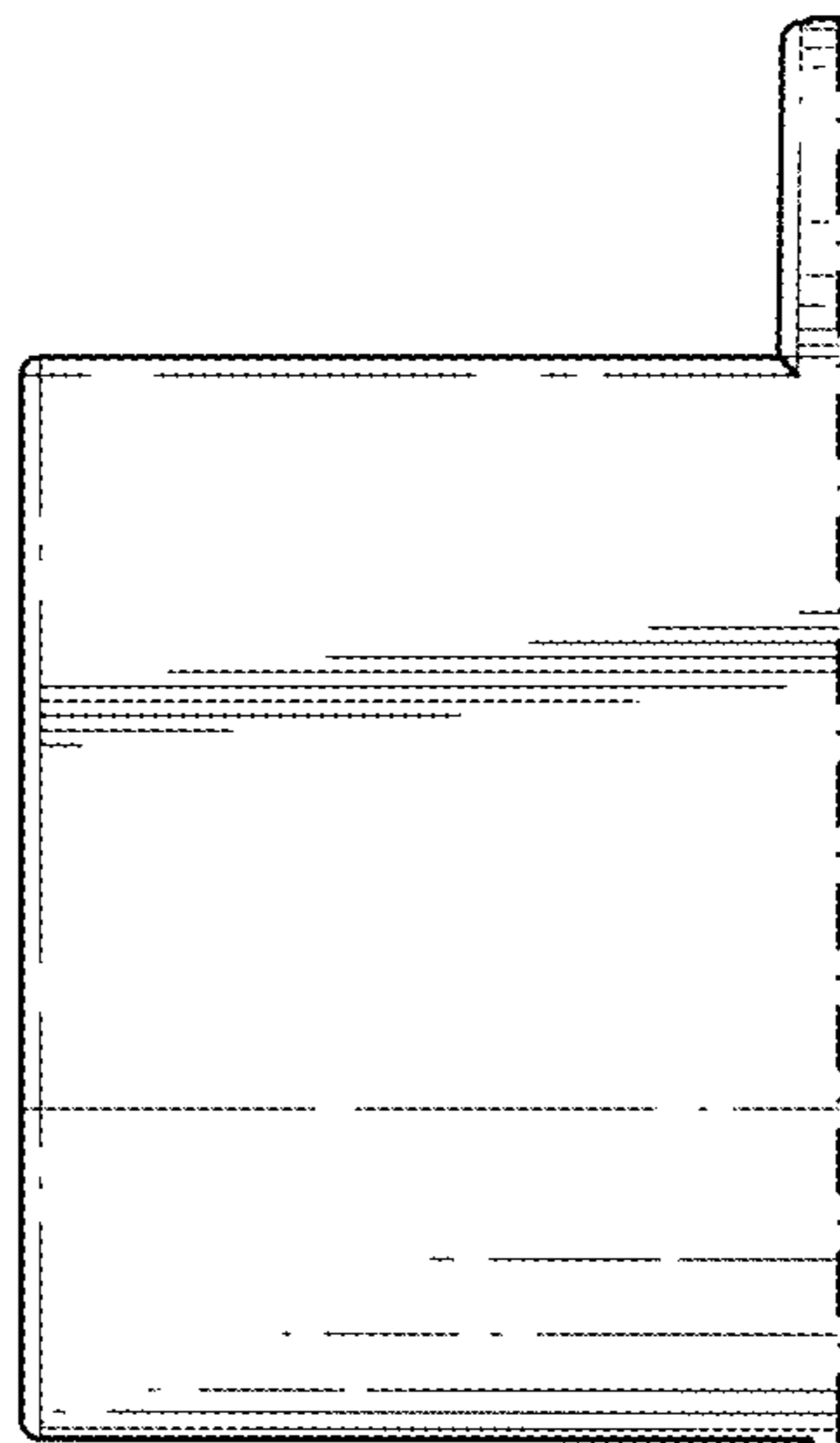


FIG. 7