



US00D765063S

(12) **United States Design Patent**  
**Wengreen**

(10) **Patent No.:** **US D765,063 S**

(45) **Date of Patent:** **\*\* Aug. 30, 2016**

(54) **MOUNT FOR ELECTRONIC DEVICES**

(71) Applicant: **Innovelis, Inc.**, Sammamish, WA (US)

(72) Inventor: **Eric John Wengreen**, Sammamish, WA (US)

(73) Assignee: **Innovelis, Inc.**, Sammamish, WA (US)

(\*\*) Term: **14 Years**

(21) Appl. No.: **29/526,129**

(22) Filed: **May 6, 2015**

(51) **LOC (10) Cl.** ..... **14-01**

(52) **U.S. Cl.**  
USPC ..... **D14/238.1**; D14/447; D6/567

(58) **Field of Classification Search**

USPC ..... D14/253, 251, 252, 447, 451, 452, 440, D14/434, 458, 432, 439, 457, 460, 238.1, D14/140, 142, 149, 217, 148, 140.8, 140.11, D14/209.1, 151, 140.9, 250, 238; D13/107, D13/108; D12/415, 223, 114, 420, 417, D12/407, 177; D3/218; D16/242-245, 250, D16/237, 203, 214, 219; D6/675, 672, 673, D6/675.4, 553, 676, 310, 406.3, 406.4, D6/406.5, 406.6, 407, 567  
CPC ..... B60R 2011/0008; B60R 11/02; B60R 11/0241; B60R 11/0258; B60R 11/0252; B60R 2011/0294; F16M 11/00; F16M 11/04; F16M 11/041; F16M 11/02; F16M 11/06; F16M 13/00; H04M 1/02; H04M 1/04; H04M 1/11; H04M 1/12; A47F 7/022; B62J 11/00; H05K 7/00; G03B 17/56

See application file for complete search history.

(56) **References Cited**

**U.S. PATENT DOCUMENTS**

D196,542 S \* 10/1963 Zelnick ..... 224/163  
D280,466 S \* 9/1985 Seltzer ..... D12/422  
D361,462 S \* 8/1995 Newham ..... D6/567

D369,465 S \* 5/1996 Scheid ..... D3/218  
D388,107 S 12/1997 Huckins  
D425,353 S \* 5/2000 Foy ..... D24/134  
D443,493 S 6/2001 Skeem  
D535,826 S 1/2007 Toghianian  
D545,343 S 6/2007 Braun  
D547,863 S \* 7/2007 Heinsch ..... D24/128

(Continued)

**OTHER PUBLICATIONS**

Innovelis, Inc. Product—TotalMount—Apple TV Mounting Kit, downloaded from Amazon.com on Feb. 3, 2014, first available on Amazon.com on Jun. 22, 2011: [http://www.amazon.com/TotalMount-Apple-Universal-Mounting-Kit/dp/B0057CVH6W/ref=sr\\_1\\_1?ie=UTF8&qid=1391473446&sr=8-1&keywords=TOTOALMOUNT](http://www.amazon.com/TotalMount-Apple-Universal-Mounting-Kit/dp/B0057CVH6W/ref=sr_1_1?ie=UTF8&qid=1391473446&sr=8-1&keywords=TOTOALMOUNT).

(Continued)

*Primary Examiner* — Susan Bennett Hattan

*Assistant Examiner* — Janice Hallmark

(57) **CLAIM**

The ornamental design for a mount for electronic devices, as shown and described.

**DESCRIPTION**

FIG. 1 is a front, side, and top perspective view of a mount for electronic devices embodying the new design.

FIG. 2 is a back, side, and bottom perspective view thereof.

FIG. 3 is a front view thereof.

FIG. 4 is a back view thereof.

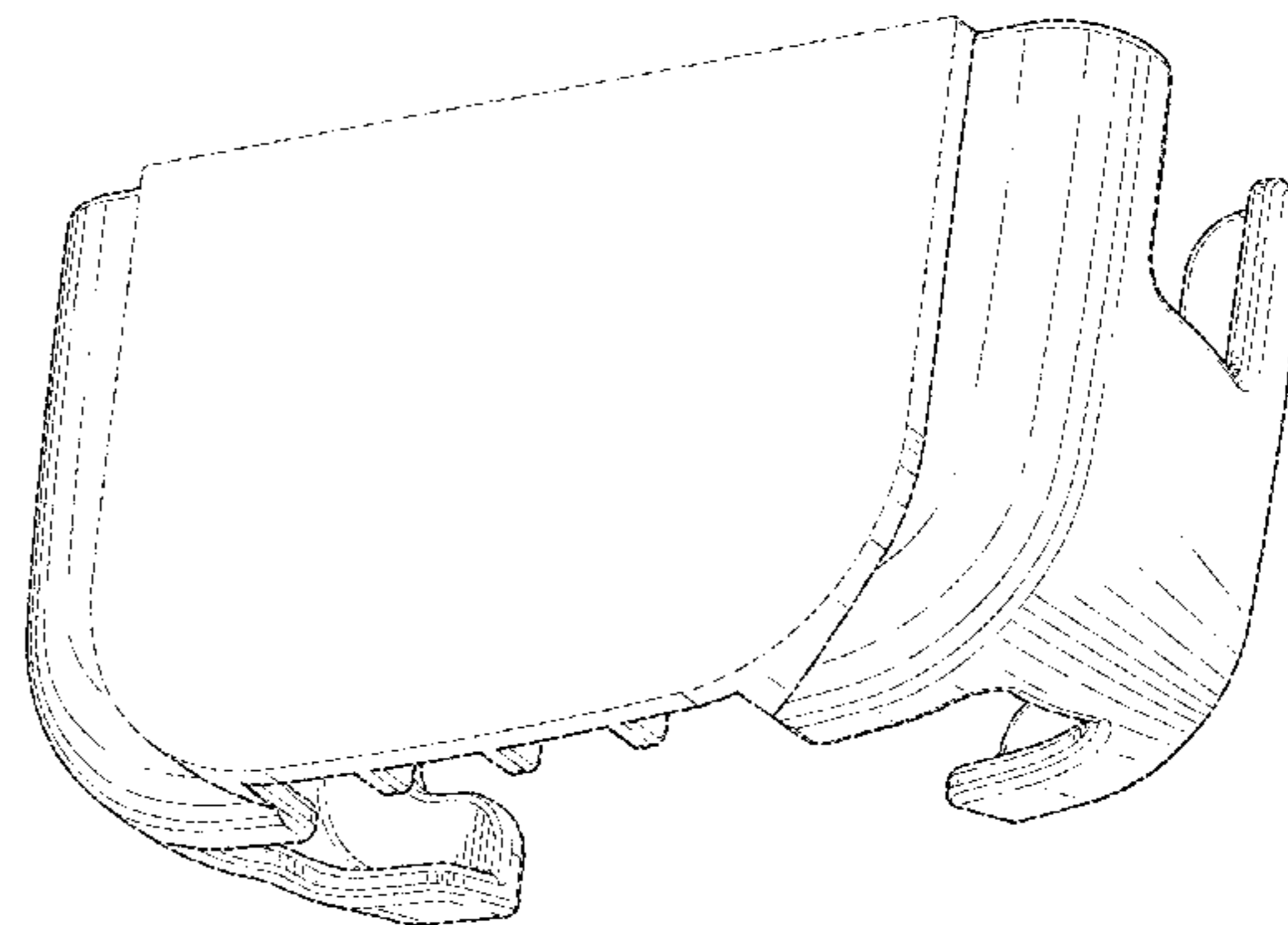
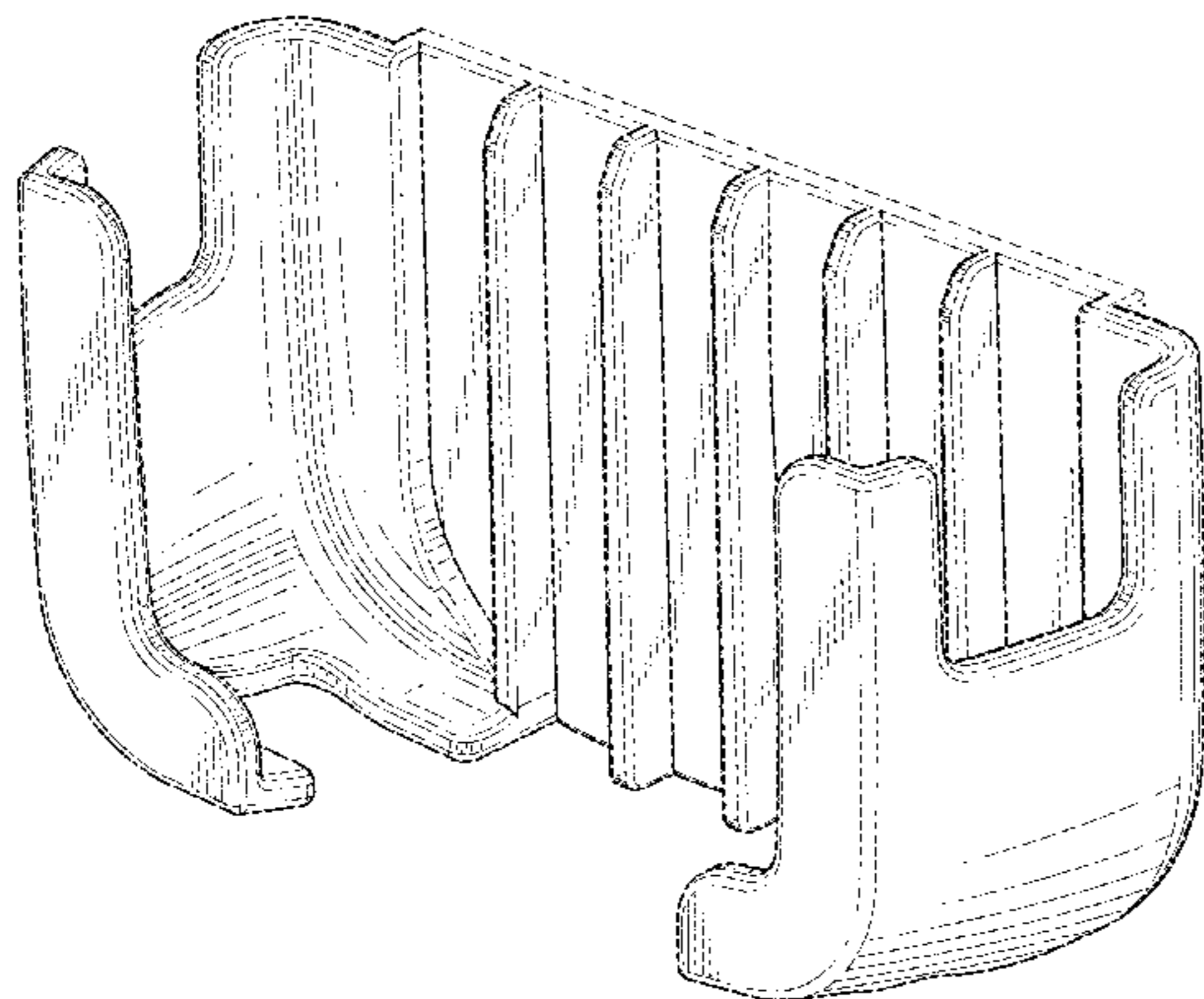
FIG. 5 is a bottom view thereof.

FIG. 6 is a top view thereof; and,

FIG. 7 is a first side view thereof, the second side view being a mirror image.

As shown in FIGS. 1, 2, 4, 6 and 7, the uniform repeating broken lines form an unclaimed boundary of the claim. The uniform repeating broken lines form no part of the claimed design.

**1 Claim, 3 Drawing Sheets**



(56)

References Cited

U.S. PATENT DOCUMENTS

D551,008 S \* 9/2007 Hidalgo ..... D6/567  
 D560,411 S 1/2008 Chung  
 D565,399 S 4/2008 Grey  
 D570,801 S 6/2008 Allen  
 D586,795 S \* 2/2009 Richter ..... D14/253  
 D596,172 S \* 7/2009 Ahlqvist ..... D14/251  
 D598,945 S 8/2009 Gillespie  
 D610,579 S \* 2/2010 Behar ..... D14/250  
 D624,949 S 10/2010 Nakayama  
 D705,229 S 5/2014 Wengreen  
 D710,340 S 8/2014 Wengreen  
 D710,363 S 8/2014 Wengreen  
 D710,836 S 8/2014 Wengreen  
 D712,906 S 9/2014 Wengreen  
 D716,580 S 11/2014 Wengreen  
 8,939,417 B1 1/2015 Wengreen  
 D729,544 S 5/2015 Wengreen  
 D733,105 S 6/2015 Wengreen  
 D733,691 S 7/2015 Wengreen  
 D734,305 S 7/2015 Wengreen  
 D735,174 S 7/2015 Wengreen  
 9,131,195 B2 9/2015 Wengreen  
 D749,549 S \* 2/2016 Wengreen ..... D14/238  
 D749,597 S \* 2/2016 Wengreen ..... D14/447  
 2009/0218454 A1 9/2009 Stanley  
 2010/0314277 A1 12/2010 Murray  
 2012/0126081 A1 5/2012 Wengreen  
 2012/0127379 A1 \* 5/2012 Wengreen ..... H05K 5/0204  
 348/836  
 2014/0241705 A1 8/2014 Wengreen

OTHER PUBLICATIONS

Innovelis, Inc. Product—TotalMount—Roku Mounting Kit, downloaded from Amazon.com on Feb. 3, 2014, first available on Amazon.com on Jun. 14, 2012: <http://www.amazon.com/TotalMount-ROKU-UNIVERSAL-MOUNTING-Compatible/dp/B008B1125W/>

ref=sr\_1\_2?ie=UTF8&qid=1391473922&sr=8-2  
 &keywords=totalmount.  
 Innovelis, Inc. Product—TotalMount—Remote Holder, downloaded from Amazon.com on Feb. 3, 2014, first available on Amazon.com on Jul. 2, 2013: [http://www.amazon.com/Apple-TV-Remote-Holder-TotalMount/dp/B00DR76YJO/ref=sr\\_1\\_3?ie=UTF8&qid=1391474218&sr=8-3&keywords=totalmount](http://www.amazon.com/Apple-TV-Remote-Holder-TotalMount/dp/B00DR76YJO/ref=sr_1_3?ie=UTF8&qid=1391474218&sr=8-3&keywords=totalmount).  
 Innovelis, Inc. Product—TotalMount—AirPort Express Mounting Kit, downloaded from Amazon.com on Feb. 3, 2014, first available on Amazon.com in approximately Sep. 2012: [http://www.amazon.com/TotalMount-AirPort-Express-Mounting-Kit/dp/B009HC7BL8/ref=sr\\_1\\_4?ie=UTF8&qid=1391474218&sr=8-4&keywords=totalmount](http://www.amazon.com/TotalMount-AirPort-Express-Mounting-Kit/dp/B009HC7BL8/ref=sr_1_4?ie=UTF8&qid=1391474218&sr=8-4&keywords=totalmount).  
 Innovelis, Inc. Product—TotalMount—Roku Mounting Kit (Version 1), downloaded from Amazon.com on Feb. 3, 2014, first available on Amazon.com on Jan. 19, 2012: [http://www.amazon.com/TotalMount-ROKU-MOUNTING-Compatible-Roku/dp/B006ZS4R46/ref=sr\\_1\\_5?ie=UTF8&qid=1391474218&sr=8-5&keywords=totalmount](http://www.amazon.com/TotalMount-ROKU-MOUNTING-Compatible-Roku/dp/B006ZS4R46/ref=sr_1_5?ie=UTF8&qid=1391474218&sr=8-5&keywords=totalmount).  
 Innovelis, Inc. Product—TotalMount—AirPort Extreme Mounting Kit, downloaded from Amazon.com on Feb. 3, 2014, first available on Amazon.com in approximately Apr. 2013: [http://www.amazon.com/TotalMount-compatible-generations-compatible-generation/dp/B00CK2CDLK/ref=sr\\_1\\_7?ie=UTF8&qid=1391474218&sr=8-7&keywords=totalmount](http://www.amazon.com/TotalMount-compatible-generations-compatible-generation/dp/B00CK2CDLK/ref=sr_1_7?ie=UTF8&qid=1391474218&sr=8-7&keywords=totalmount).  
 Innovelis, Inc. Product—TotalMount—Vizio Mounting Kit, downloaded from Amazon.com on Feb. 3, 2014, first available on Amazon.com in approximately May 2013: [http://www.amazon.com/TotalMount-VIZIO-Co-Star-Mounting-Kit/dp/B00GDMXSZ8/ref=sr\\_1\\_10?ie=UTF8&qid=1391474218&sr=8-10&keywords=totalmount](http://www.amazon.com/TotalMount-VIZIO-Co-Star-Mounting-Kit/dp/B00GDMXSZ8/ref=sr_1_10?ie=UTF8&qid=1391474218&sr=8-10&keywords=totalmount).  
 Roku media players—Part 1, downloaded on Feb. 3, 2014 from <http://www.roku.com/products/roku-2>.  
 Roku media players—Part 2, downloaded on Feb. 3, 2014 from <http://www.roku.com/products/compare>.  
 Apple TV, downloaded on Feb. 3, 2014 from <http://www.apple.com/appletv/what-is/>.

\* cited by examiner

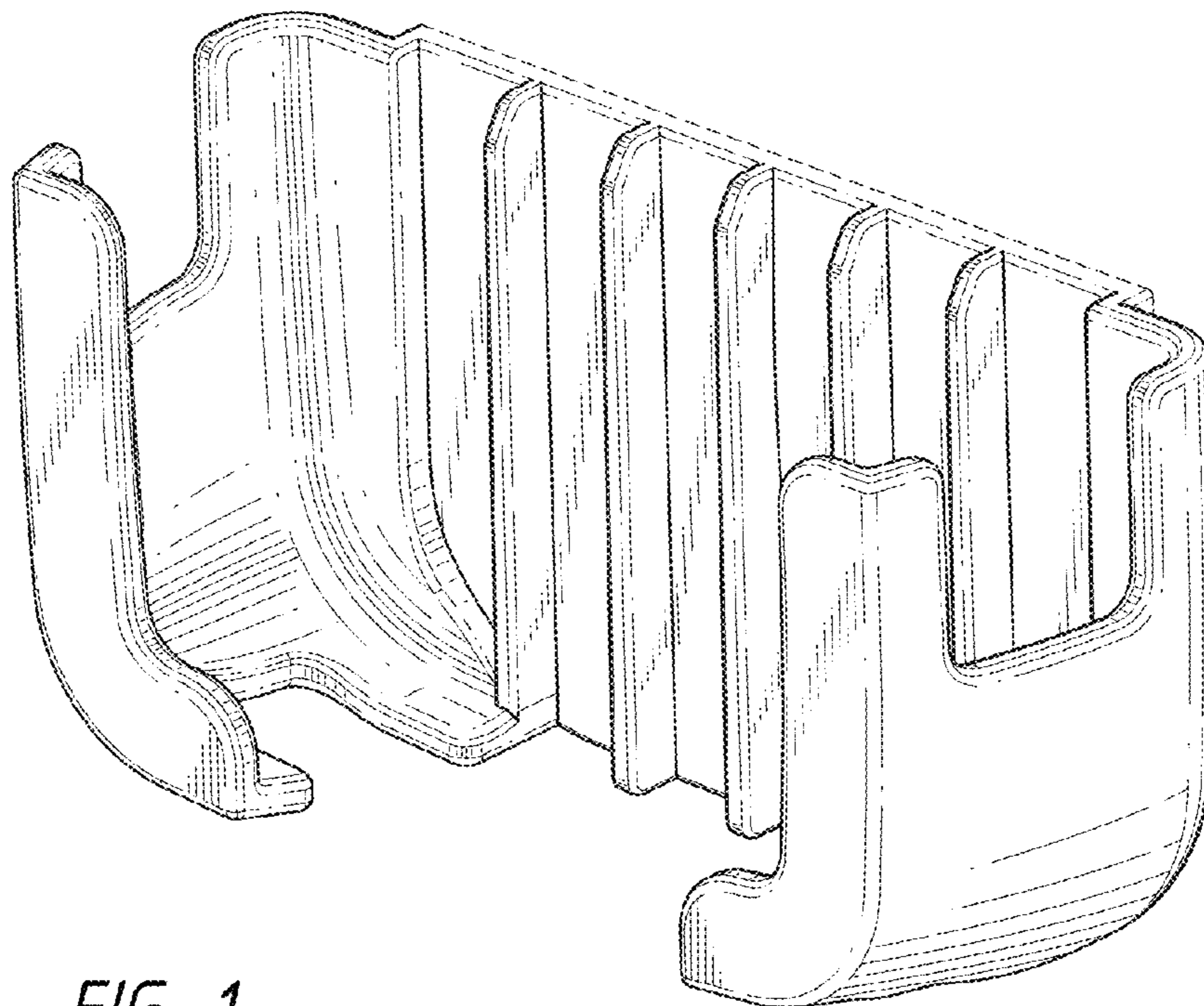


FIG. 1

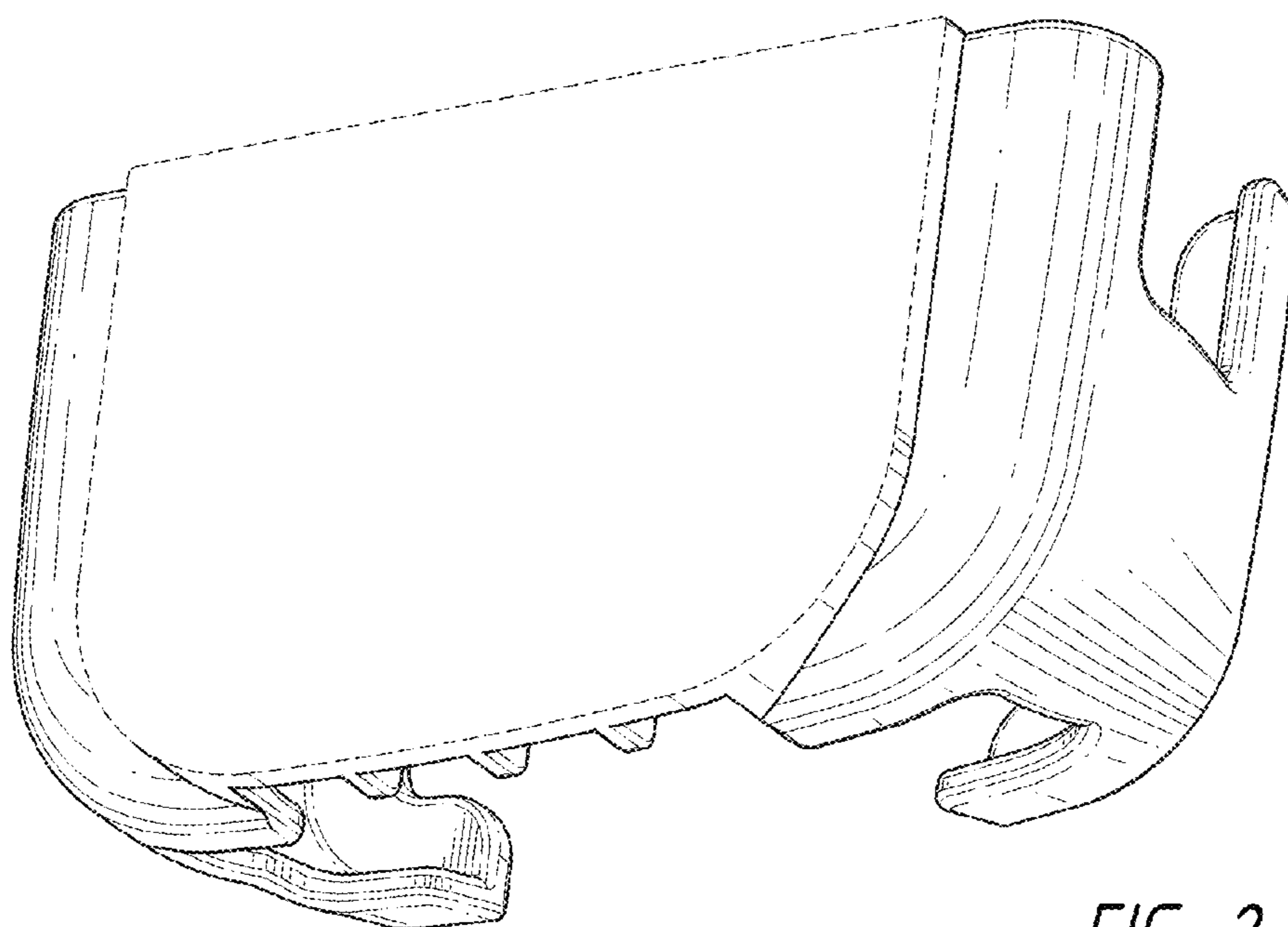


FIG. 2

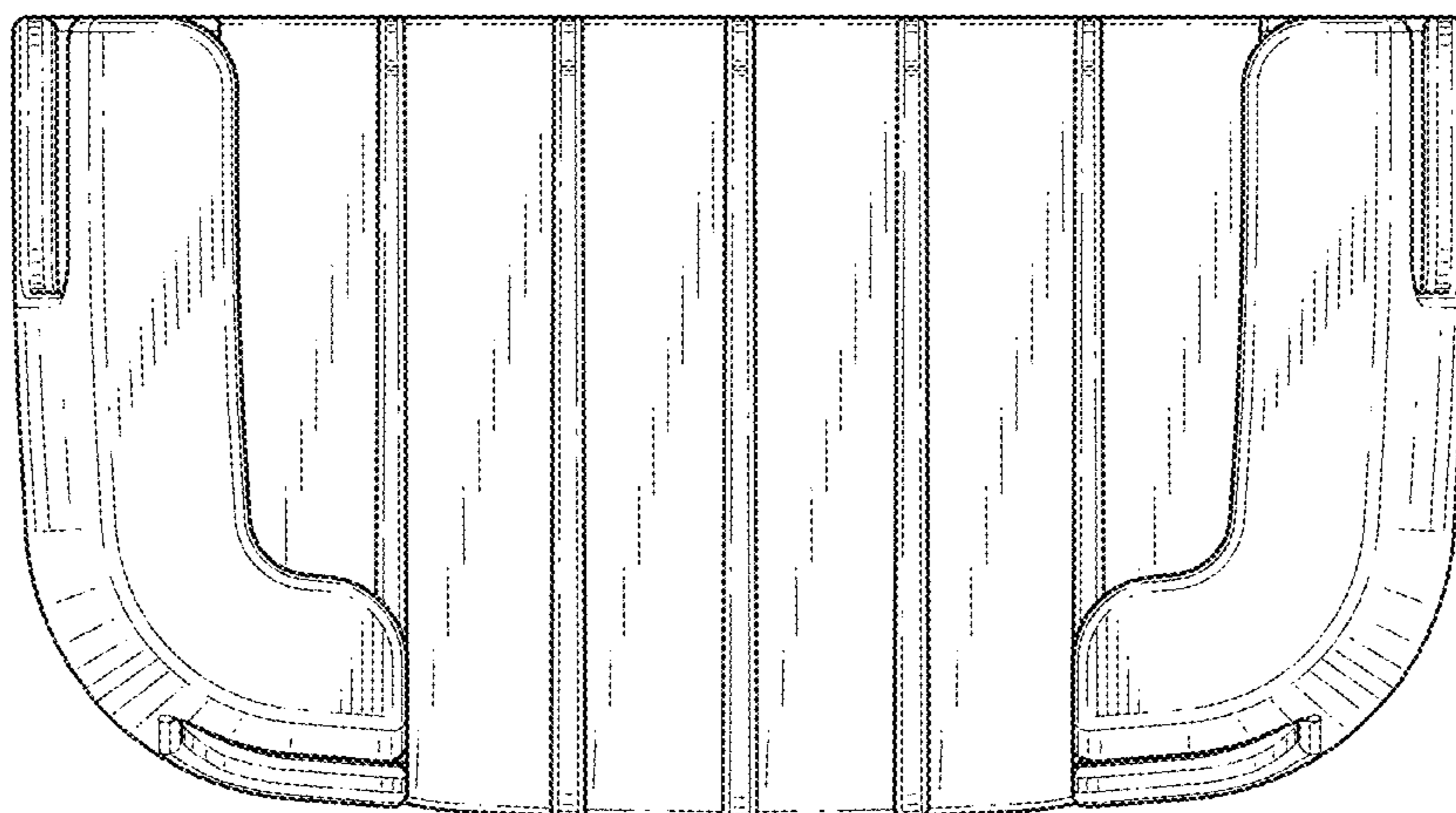


FIG. 3

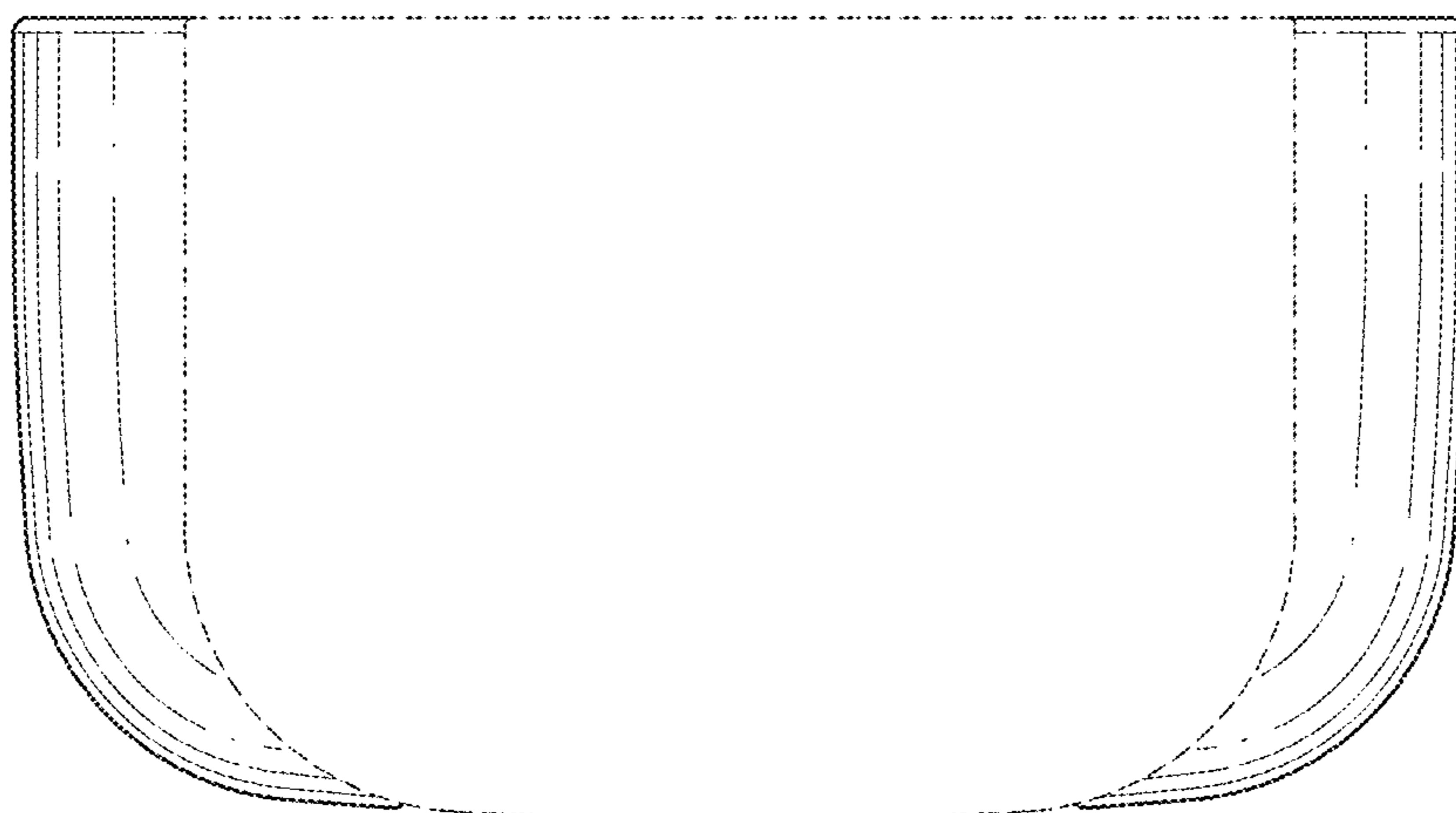


FIG. 4

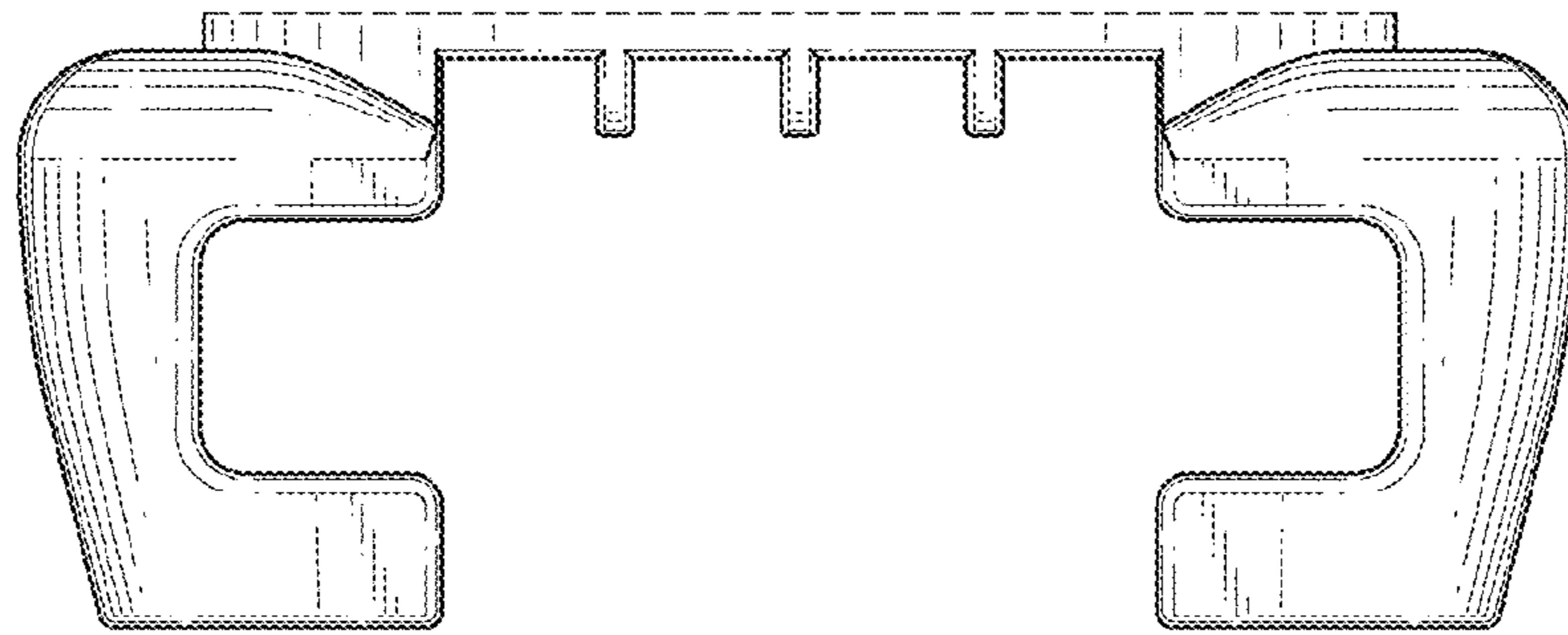


FIG. 5

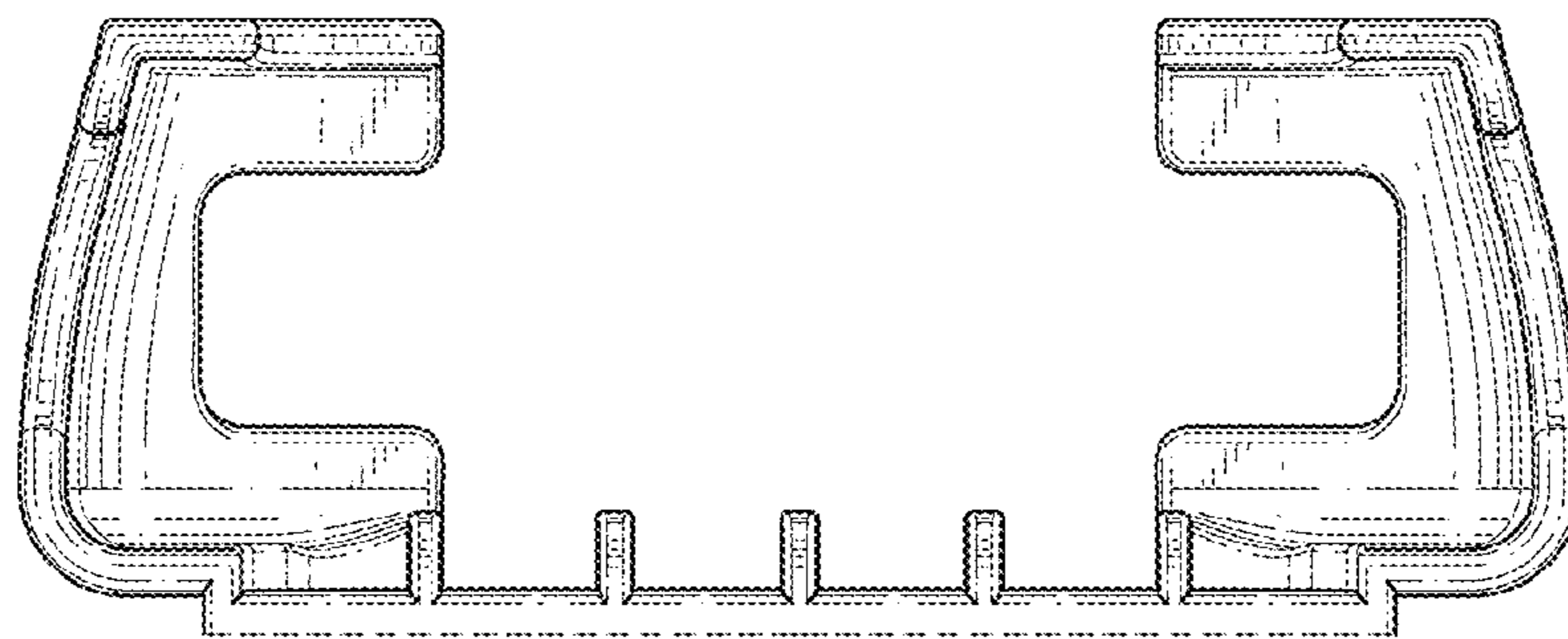


FIG. 6

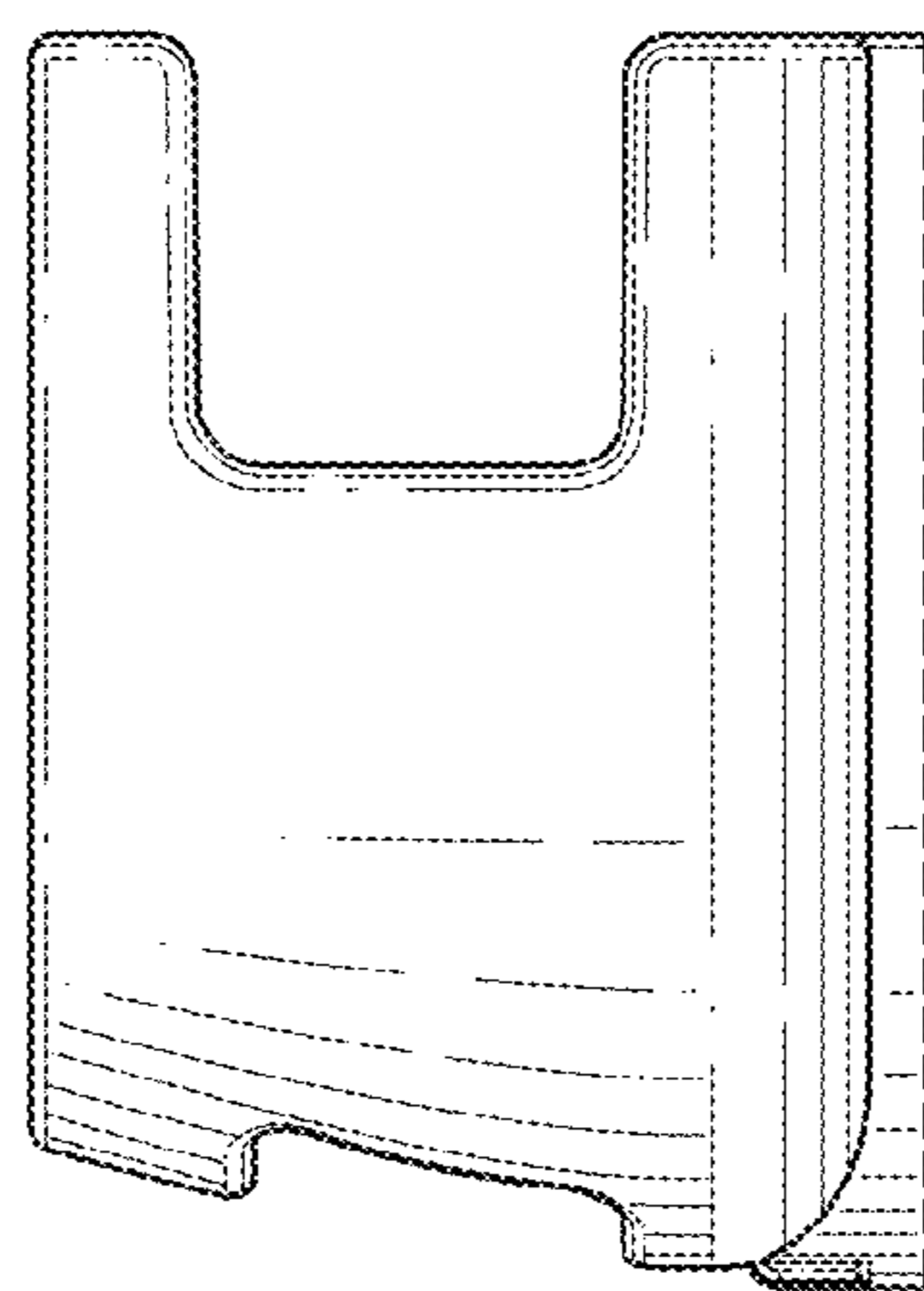


FIG. 7