

US00D765060S

(12) **United States Design Patent**
Seong

(10) **Patent No.:** **US D765,060 S**

(45) **Date of Patent:** **** Aug. 30, 2016**

(54) **SPEAKER FOR HOME THEATER**

(71) Applicant: **Samsung Electronics Co., Ltd.**,
Suwon-si (KR)

(72) Inventor: **Bo-Kyung Seong**, Daejeon (KR)

(73) Assignee: **Samsung Electronics Co., Ltd.**,
Suwon-si (KR)

(**) Term: **14 Years**

(21) Appl. No.: **29/497,415**

(22) Filed: **Jul. 24, 2014**

(30) **Foreign Application Priority Data**

Mar. 10, 2014 (KR) 30-2014-0011988

(51) **LOC (10) Cl.** **14-01**

(52) **U.S. Cl.**
USPC **D14/224; D14/209.1**

(58) **Field of Classification Search**
USPC D14/209.1, 126, 336, 375, 451, 224;
D6/495; 381/340; 348/739
CPC H05K 5/00; A47F 5/02
See application file for complete search history.

(56) **References Cited**

U.S. PATENT DOCUMENTS

2,805,062	A *	9/1957	Holmes	A63K 3/043 182/155
D183,357	S *	8/1958	Lindenberg	D14/211
D188,326	S *	7/1960	Levy	D14/214
3,054,588	A *	9/1962	Ondrasik	D06F 79/02 248/117.2
3,592,288	A *	7/1971	Walter	E04B 1/8227 160/351
4,054,750	A *	10/1977	Montgomery	H04R 1/02 181/147
D256,914	S *	9/1980	Rams	D14/211
4,408,678	A *	10/1983	White, Jr.	H04R 1/026 181/144
D302,979	S *	8/1989	Sanders	D14/204
6,144,746	A *	11/2000	Azima	G06F 1/1616 381/152

6,247,551	B1 *	6/2001	Heron	G10K 1/066 181/170
D444,712	S *	7/2001	Versace	D10/18
D476,640	S *	7/2003	Harris	D14/211
6,918,562	B2 *	7/2005	Lee	F16M 11/00 248/130
D508,055	S *	8/2005	Lo	D14/451
6,968,068	B1 *	11/2005	Amsel	H04R 1/026 381/333
D525,953	S *	8/2006	Anzures	D14/126
D556,756	S *	12/2007	Kataoka	D14/375
D587,226	S *	2/2009	Funayama	D14/126
D597,528	S *	8/2009	Kira	D14/211
D616,424	S *	5/2010	Li	D14/239
D653,650	S *	2/2012	Lee	D14/211
D655,266	S *	3/2012	Kim	D14/126
D666,170	S *	8/2012	Allen	D14/211
D671,923	S *	12/2012	Seong	D14/239
D691,977	S *	10/2013	Lee	D14/126

(Continued)

Primary Examiner — Paula Greene

(74) *Attorney, Agent, or Firm* — NSIP Law

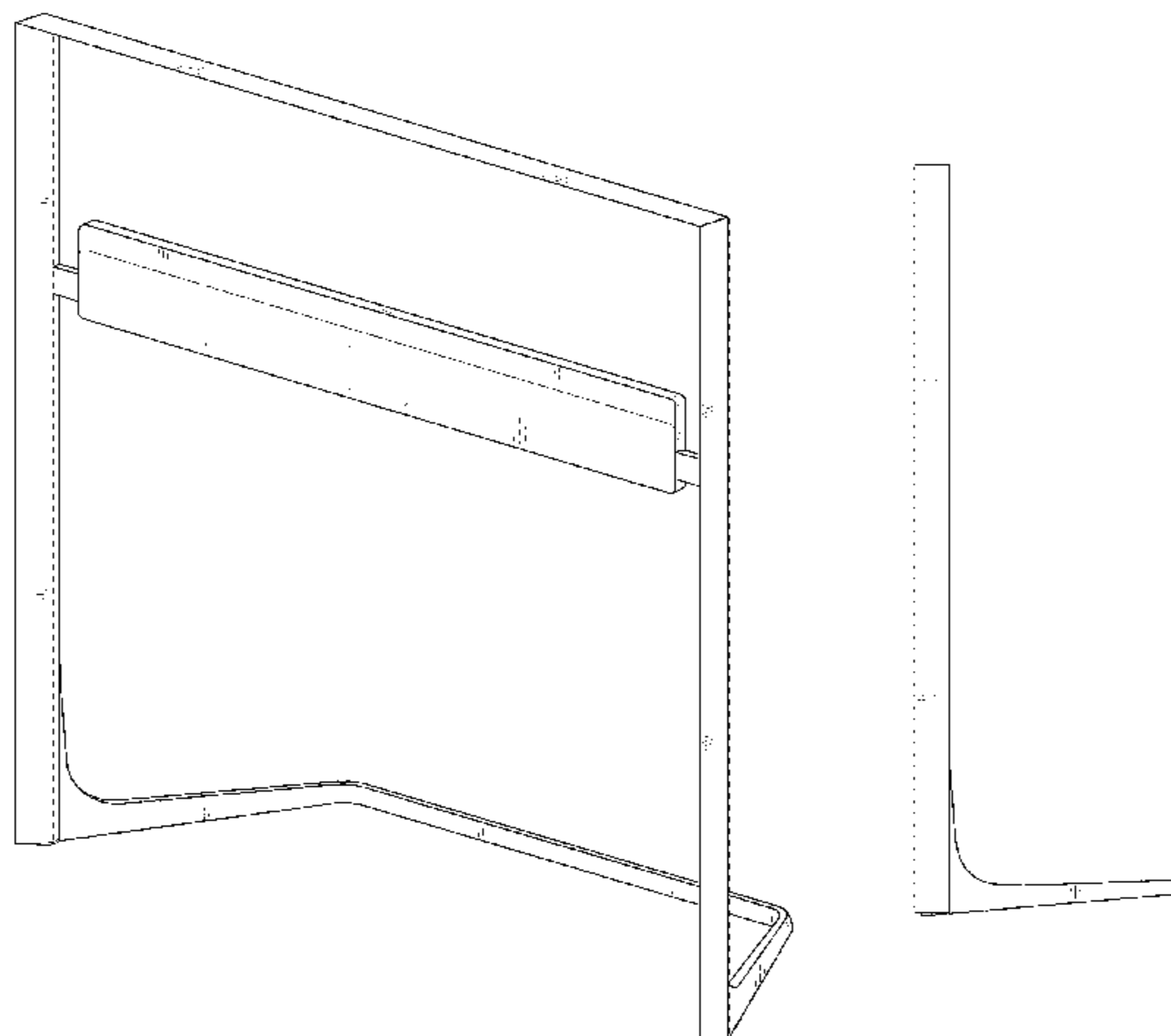
(57) **CLAIM**

I claim the ornamental design for a speaker for home theater, as shown and described.

DESCRIPTION

FIG. 1 is a front perspective view of a speaker for home theater showing my new design;
 FIG. 2 is a front view thereof;
 FIG. 3 is a rear view thereof;
 FIG. 4 is a left-side view thereof;
 FIG. 5 is a right-side view thereof;
 FIG. 6 is a top view thereof;
 FIG. 7 is a bottom view thereof; and,
 FIG. 8 is another front perspective view, in which a television receiver in dot-dash broken lines is provided to illustrate an example environment.
 The broken lines in the figures show portions of the speaker for home theater which form no part of the claimed design.
 The dot-dash broken line showing of the television receiver in FIG. 8 is for the purpose of illustrating environmental structure and forms no part of the claimed design.

1 Claim, 8 Drawing Sheets



(56)

References Cited

U.S. PATENT DOCUMENTS

D695,700 S *	12/2013	Seong	D14/126	D709,470 S *	7/2014	Ryu	D14/126
D699,713 S *	2/2014	Seong	D14/239	D714,758 S *	10/2014	Lee	D14/209.1
D701,844 S *	4/2014	Han	D14/126	D722,067 S *	2/2015	Jung	D14/451
D702,199 S *	4/2014	Park	D14/126	D724,555 S *	3/2015	Cha	D14/126
D709,469 S *	7/2014	Ryu	D14/126	D726,148 S *	4/2015	Ahn	D14/209.1
					D736,190 S *	8/2015	Seong	D14/239
					2014/0085799 A1 *	3/2014	Drew	F16M 11/105 361/679.22

* cited by examiner

FIG. 1

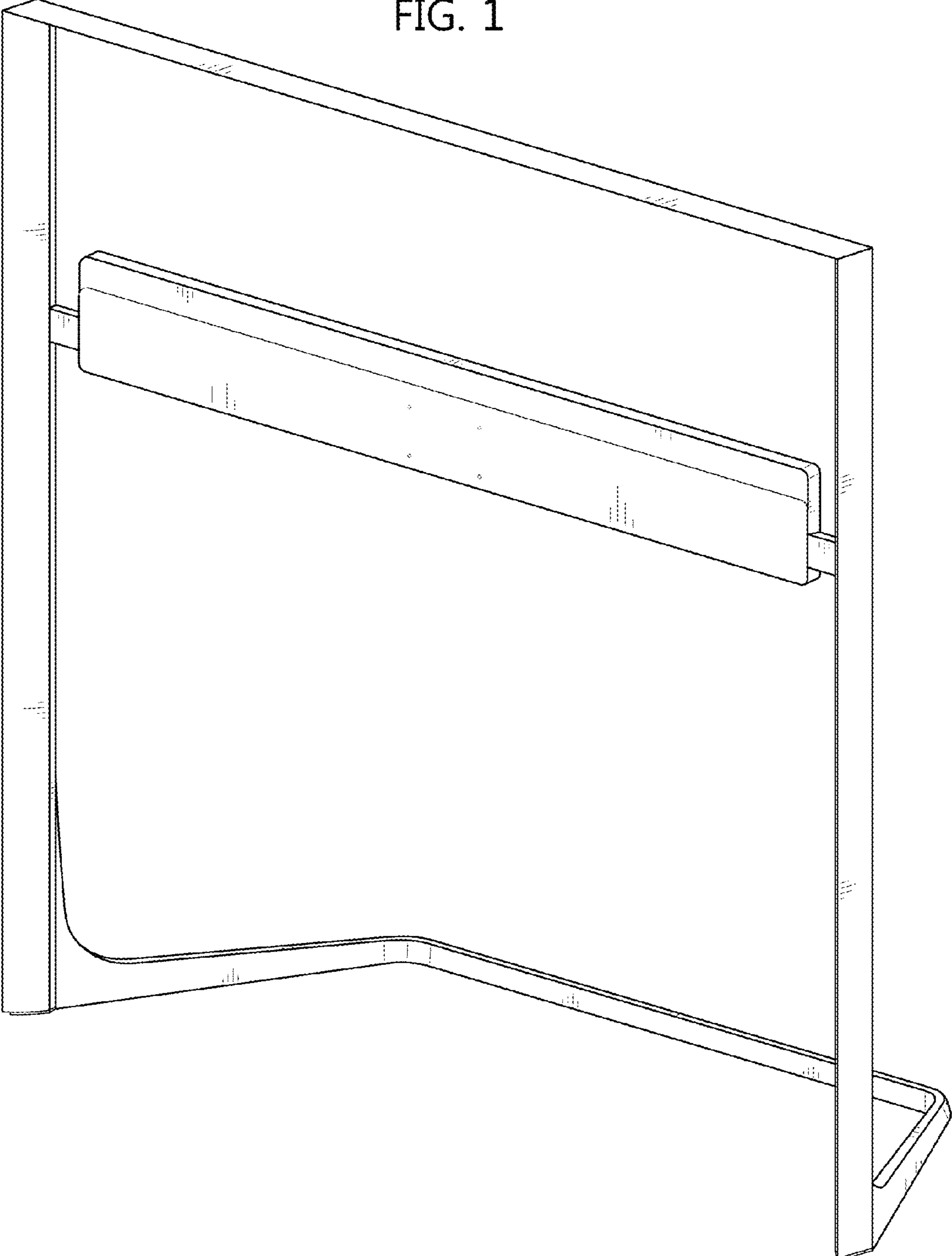


FIG. 2

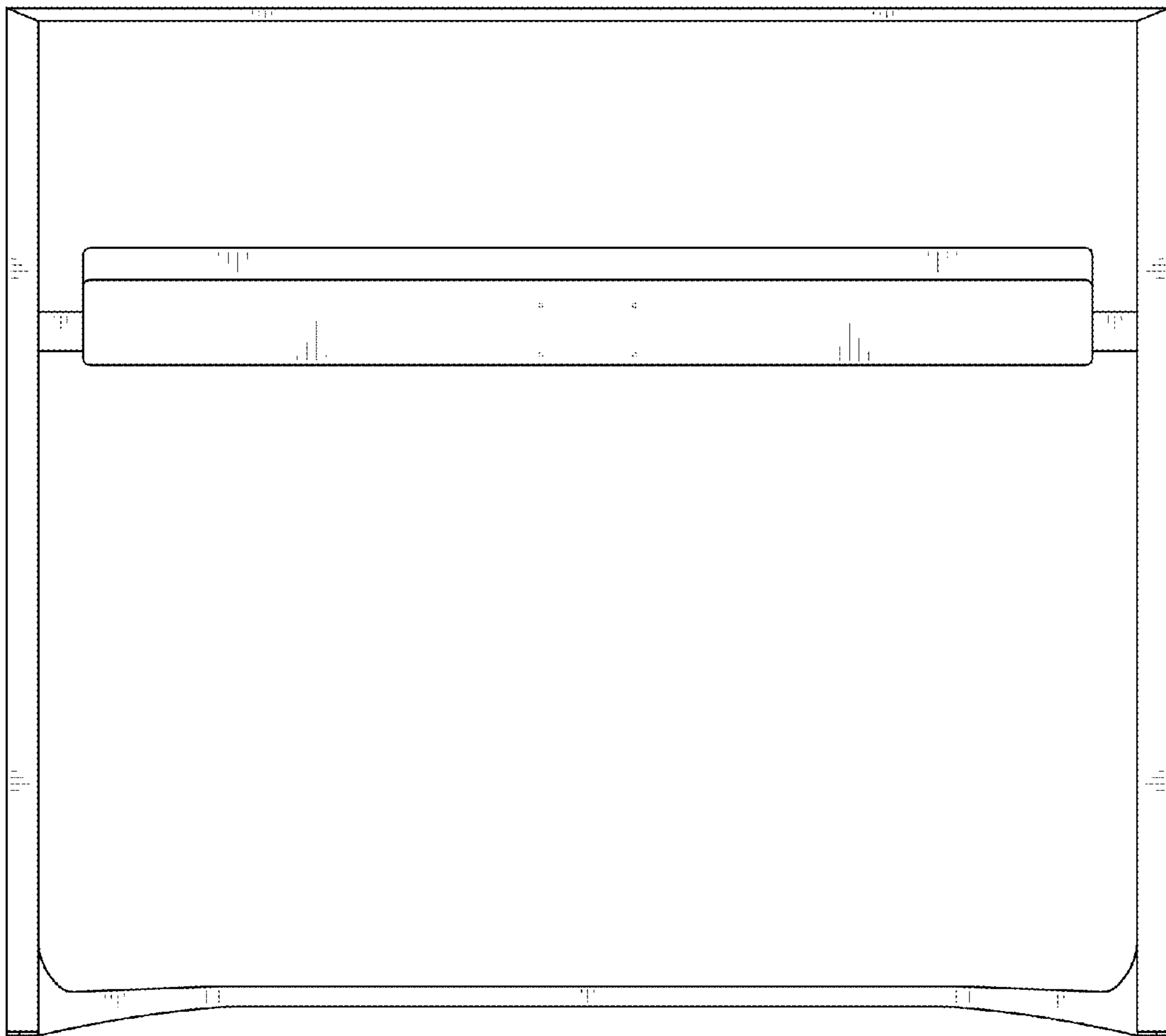


FIG. 3

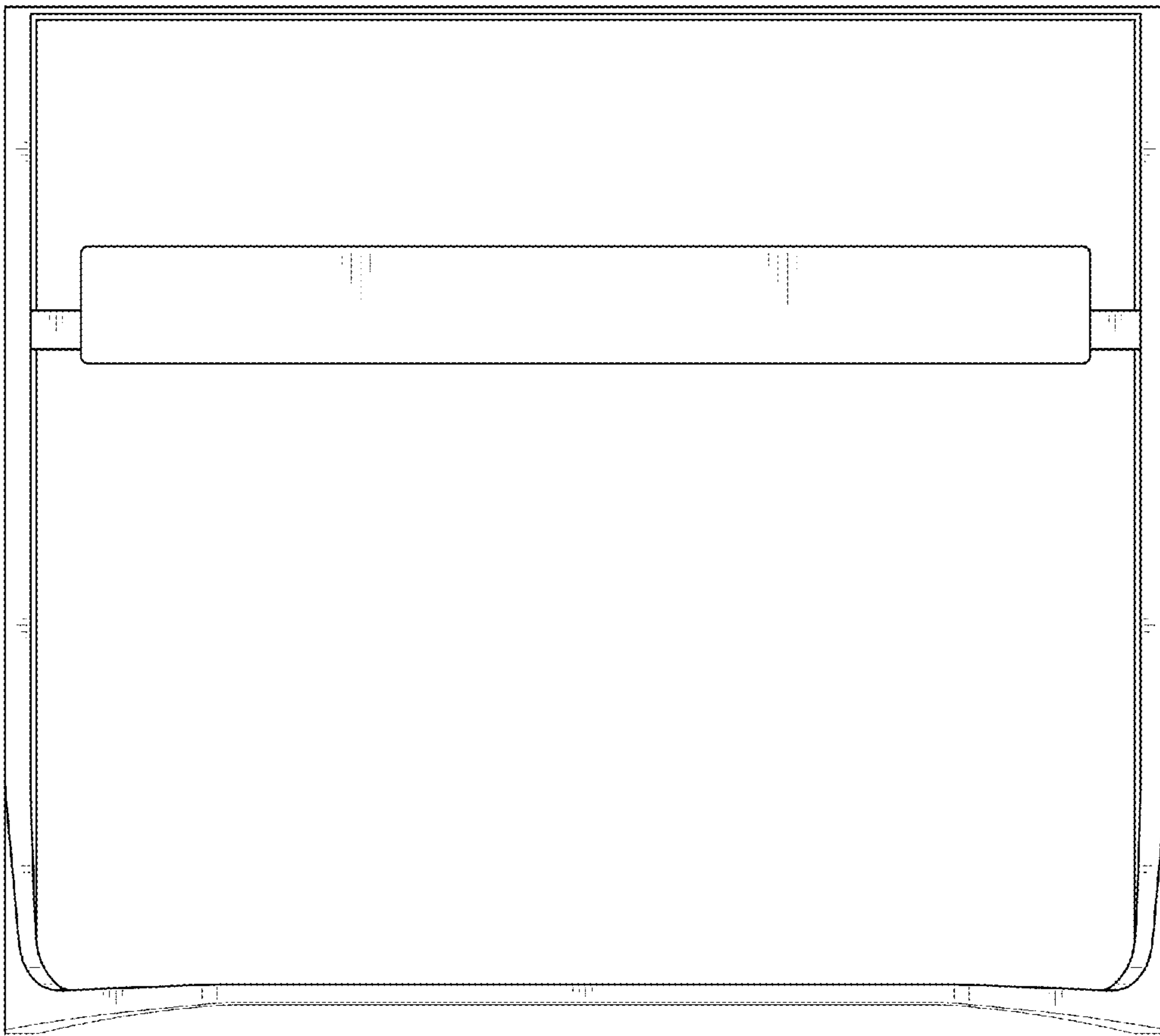


FIG. 4

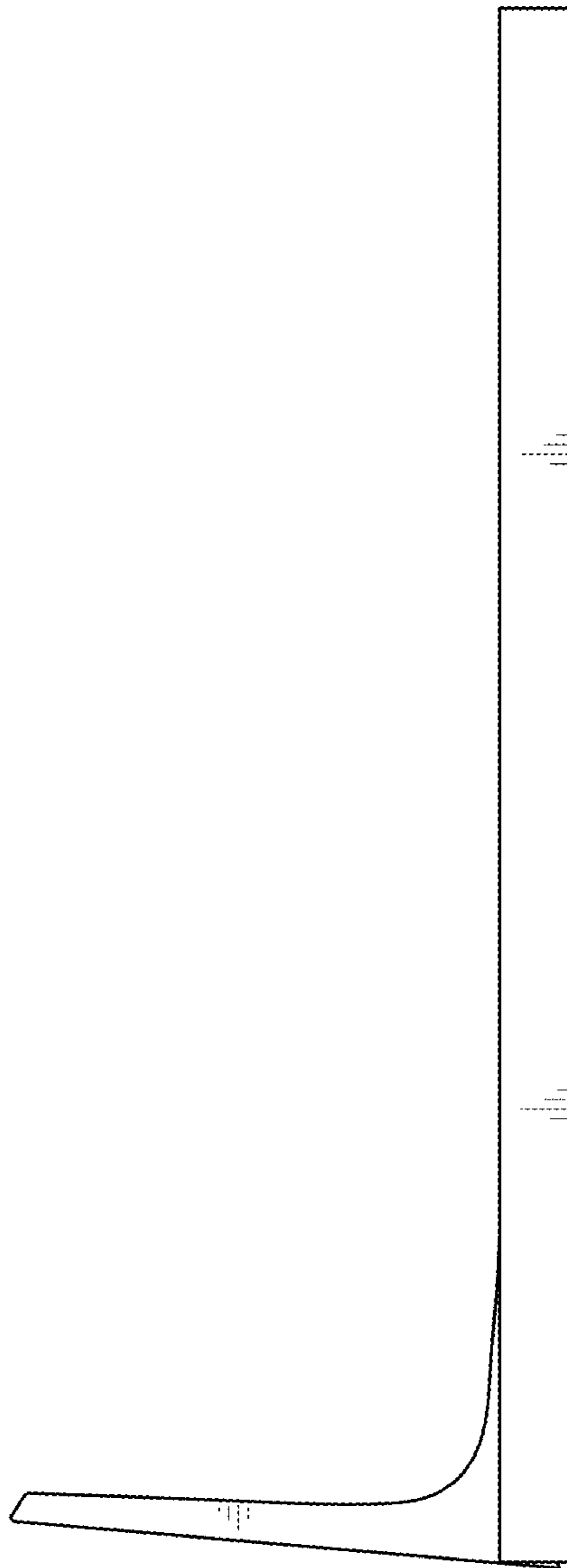


FIG. 5

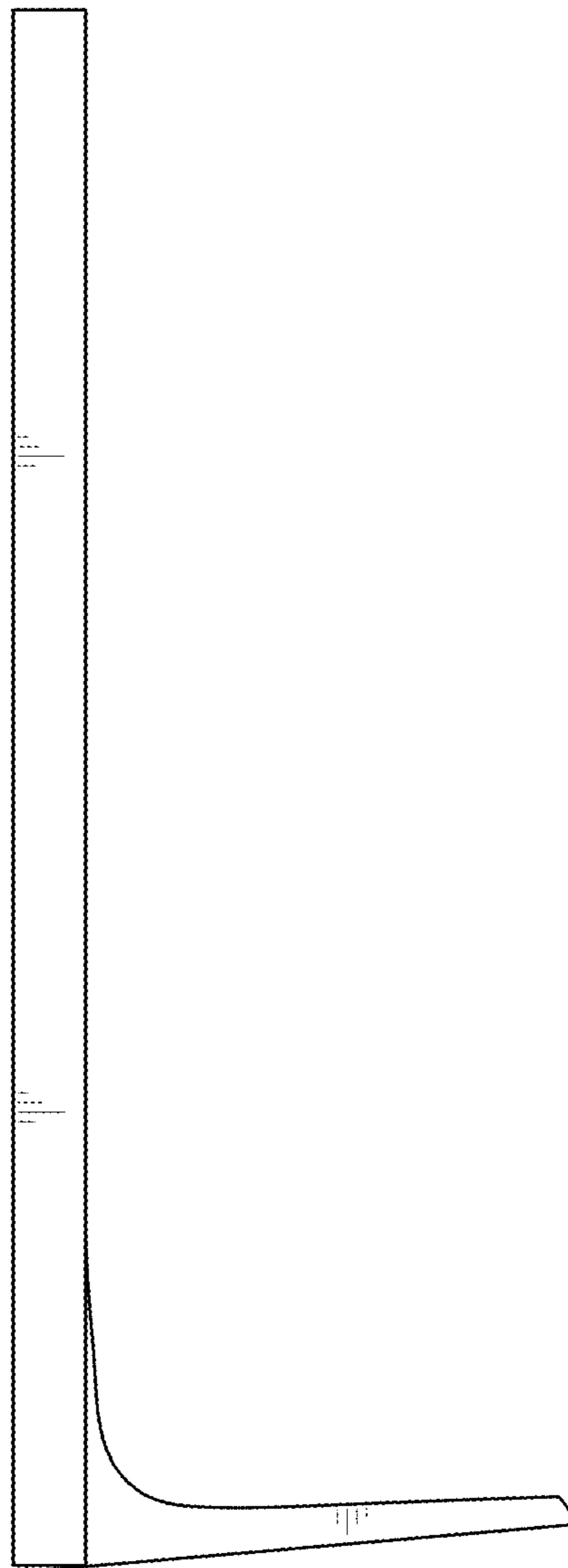


FIG. 6

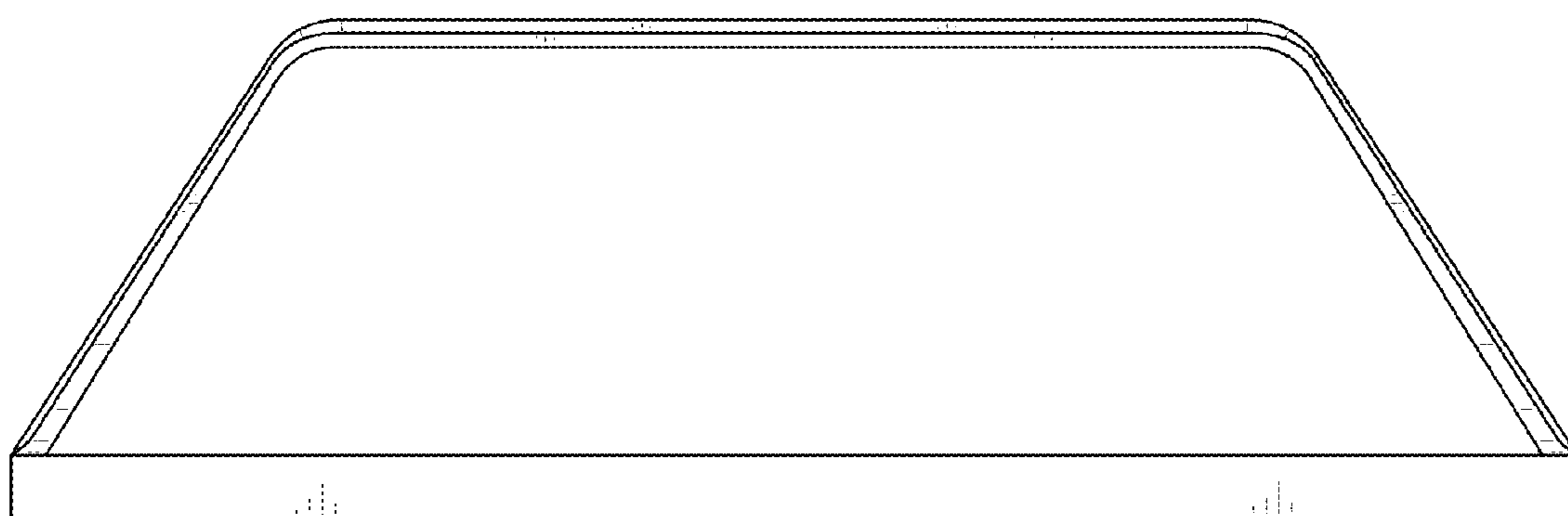


FIG. 7

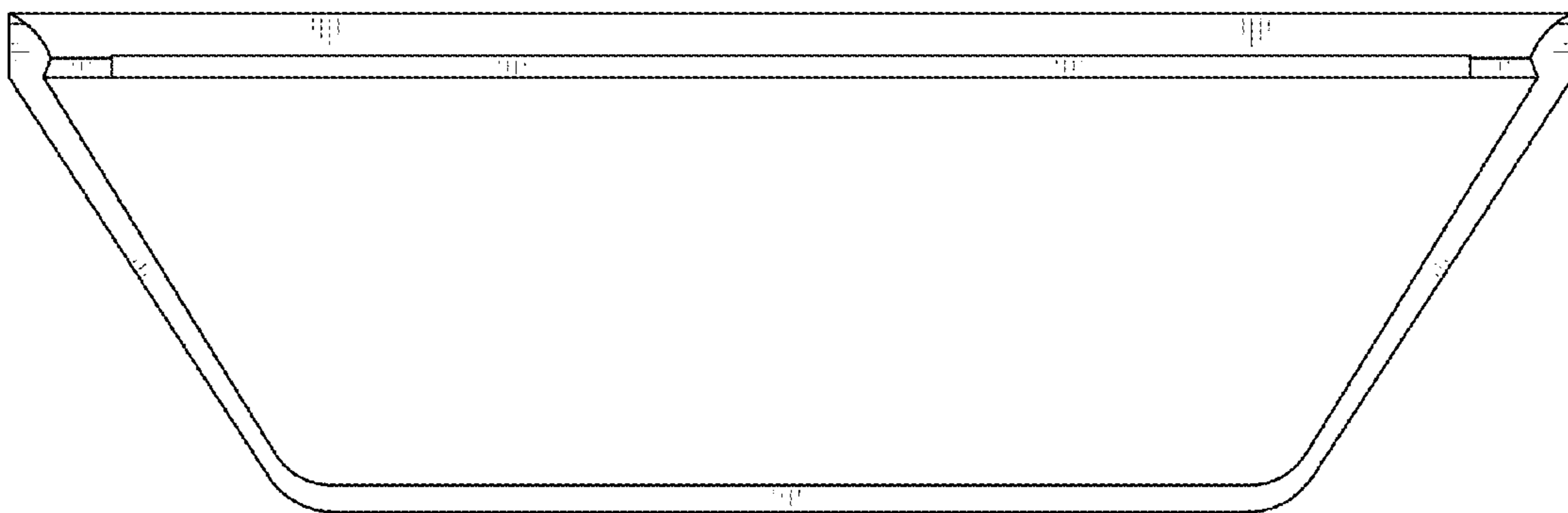


FIG. 8

