



US00D765057S

(12) **United States Design Patent**
Shifron

(10) **Patent No.:** **US D765,057 S**

(45) **Date of Patent:** **** Aug. 30, 2016**

(54) **SPEAKER SYSTEM**

(71) Applicant: **ComHear, Inc.**, San Diego, CA (US)

(72) Inventor: **Sam Aleksandrovich Shifron**, Del Mar, CA (US)

(73) Assignee: **ComHear, Inc.**, San Diego, CA (US)

(**) Term: **15 Years**

(21) Appl. No.: **29/533,311**

(22) Filed: **Jul. 16, 2015**

(51) **LOC (10) Cl.** **14-03**

(52) **U.S. Cl.**
USPC **D14/216; D14/214**

(58) **Field of Classification Search**

USPC D14/167, 168, 170-172, 188, 194-196, D14/204, 207, 209.1, 210-216, 219, 221, D14/222, 224, 239, 496; 181/143, 144, 147, 181/148, 150, 153, 157, 198, 199; 381/300-303, 306, 332, 333, 336, 345, 381/361-364, 386-388; 369/6-12
CPC ... B60R 11/0217; G06F 1/1688; G10K 9/22; G10K 11/004; H03F 1/327; H04M 1/03; H04M 1/035; H04N 5/642; H04N 21/4852; H04R 1/02; H04R 1/06; H04R 1/021; H04R 1/025; H04R 1/026; H04R 1/028; H04R 1/105; H04R 1/323; H04R 1/403; H04R 1/2803; H04R 1/2834; H04R 5/02; H04R 7/20; H04R 9/06; H04R 9/025; H04R 2201/021; H04R 2400/00; H04R 2400/07; H04R 2499/11; H04R 2499/13; H04R 2499/15; H04S 3/00; H04S 7/30

See application file for complete search history.

(56) **References Cited**

U.S. PATENT DOCUMENTS

D606,514 S * 12/2009 Ludlum D14/207
D612,868 S * 3/2010 Morabito D14/496
D655,690 S * 3/2012 Yagi D14/214
D720,723 S * 1/2015 Cho D14/215
D730,865 S * 6/2015 Holzer D14/171

* cited by examiner

Primary Examiner — Keli L Hill

(74) *Attorney, Agent, or Firm* — MacMillan, Sobanski & Todd, LLC

(57) **CLAIM**

The ornamental design for a speaker system, as shown and described.

DESCRIPTION

FIG. 1 is a front perspective view of a speaker system according to the design;

FIG. 2 is a rear perspective view thereof;

FIG. 3 is a top plan view thereof;

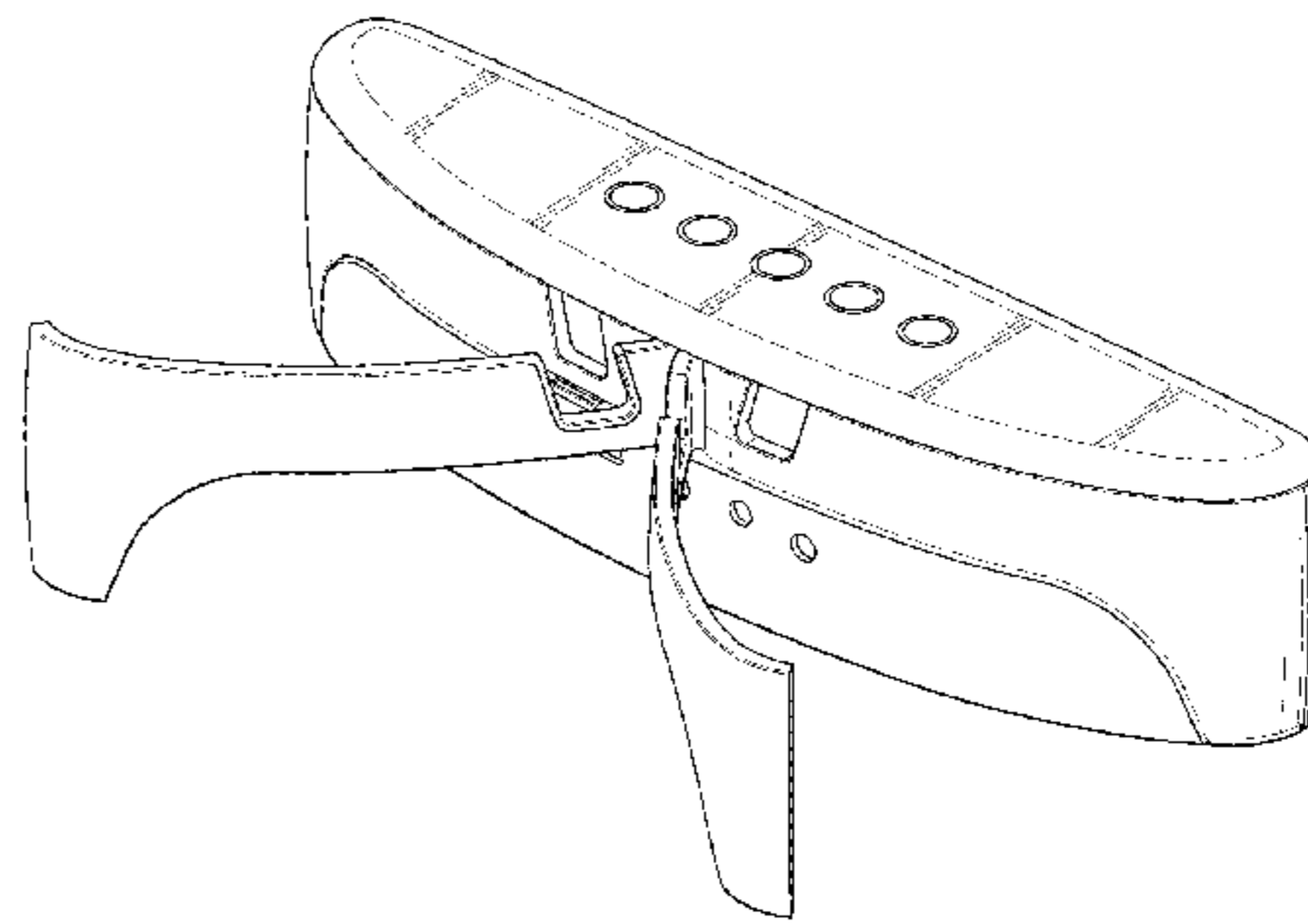
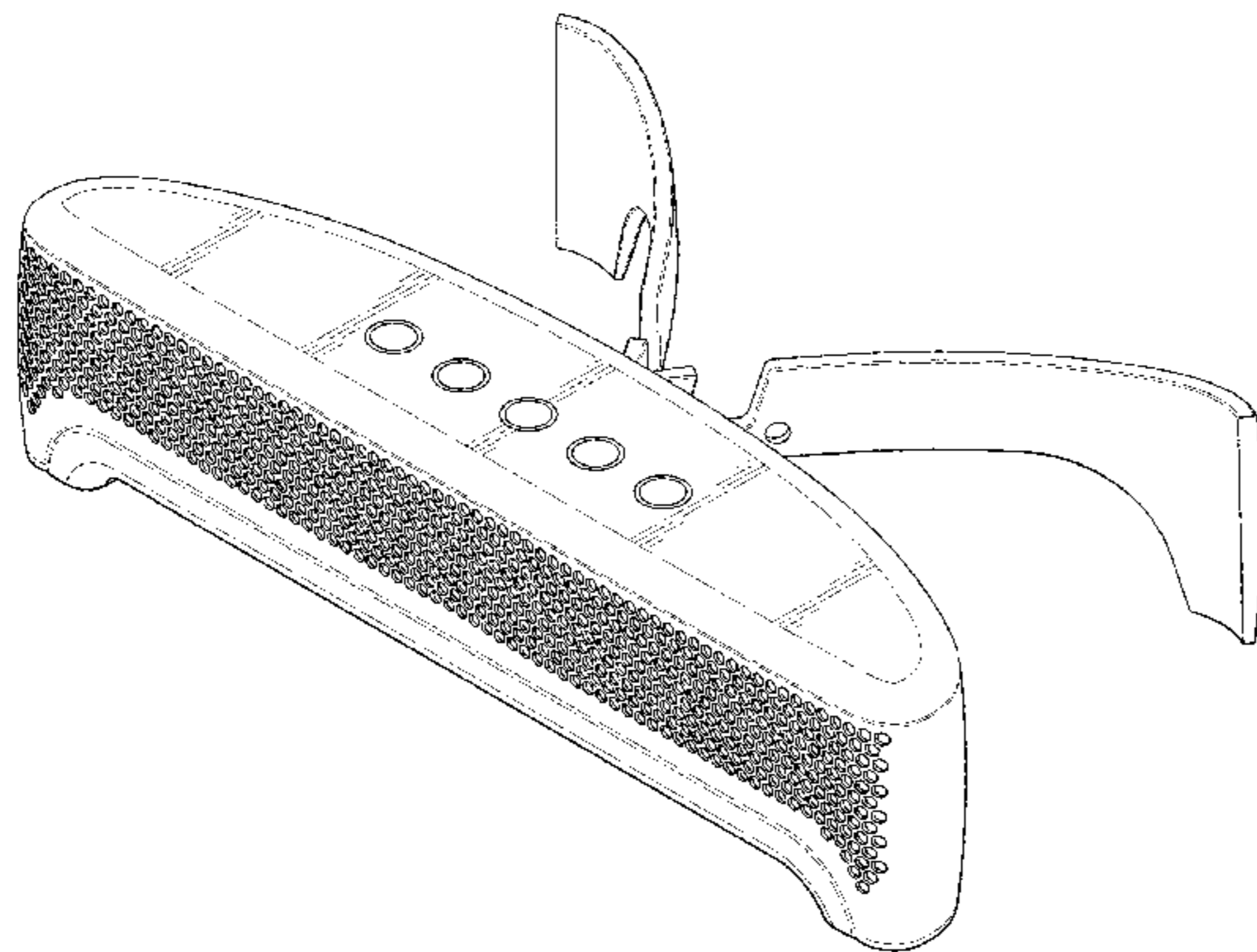
FIG. 4 is a bottom plan view thereof;

FIG. 5 is a front elevational view thereof;

FIG. 6 is a rear elevational view thereof showing an alternate position of the design; and,

FIG. 7 is a right side elevational view thereof, the left side being a mirror view thereof.

1 Claim, 5 Drawing Sheets



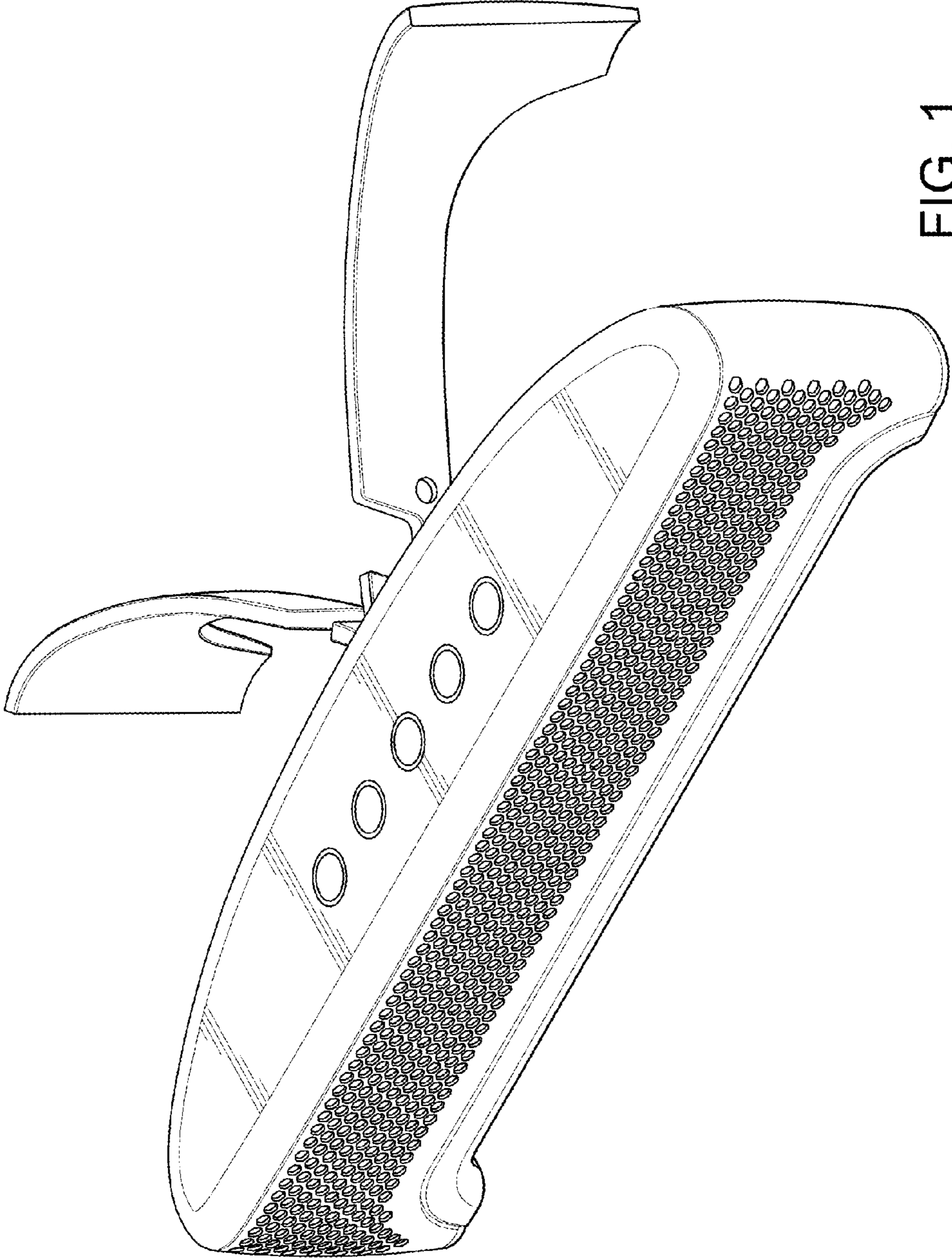


FIG. 1

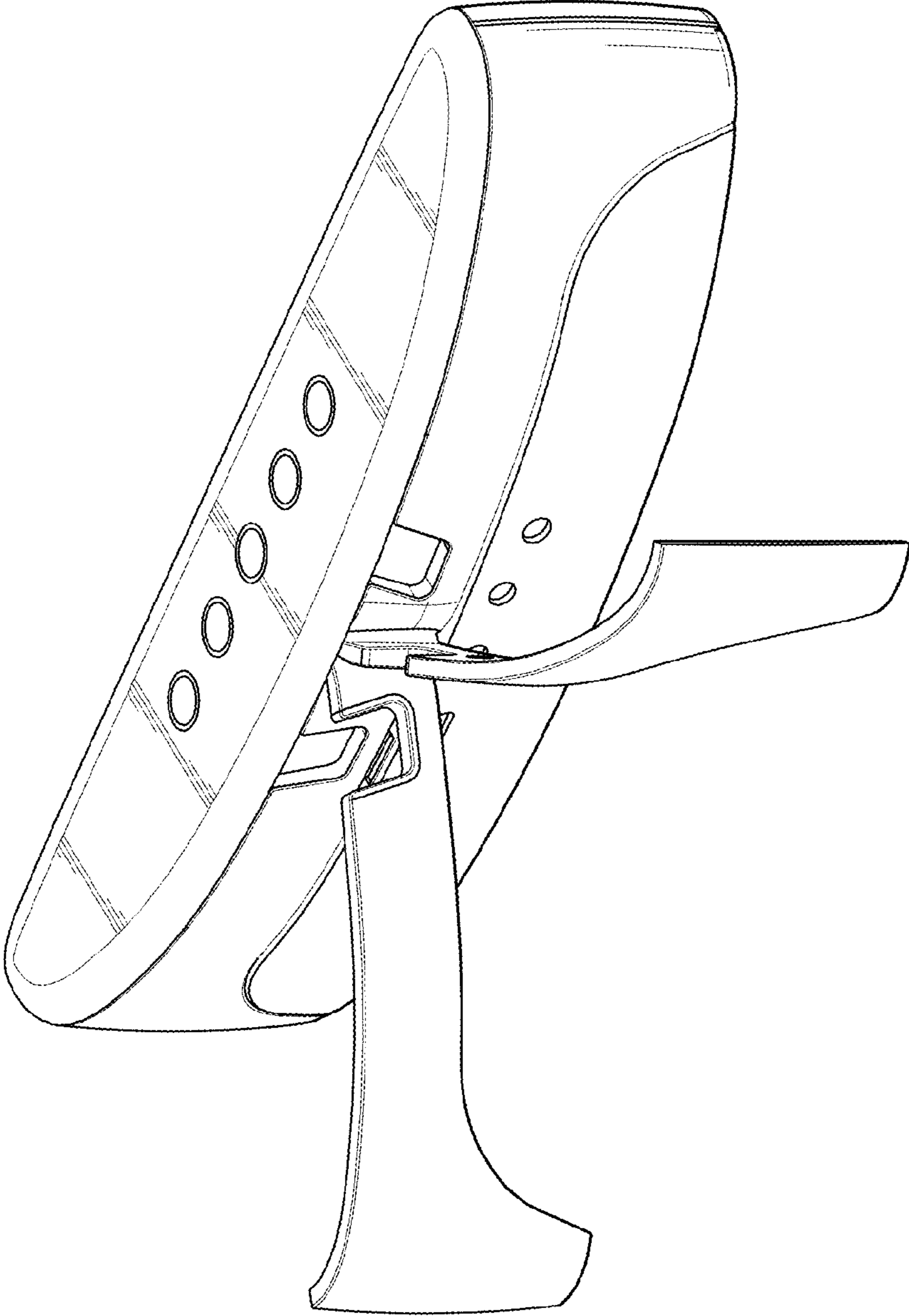


FIG. 2

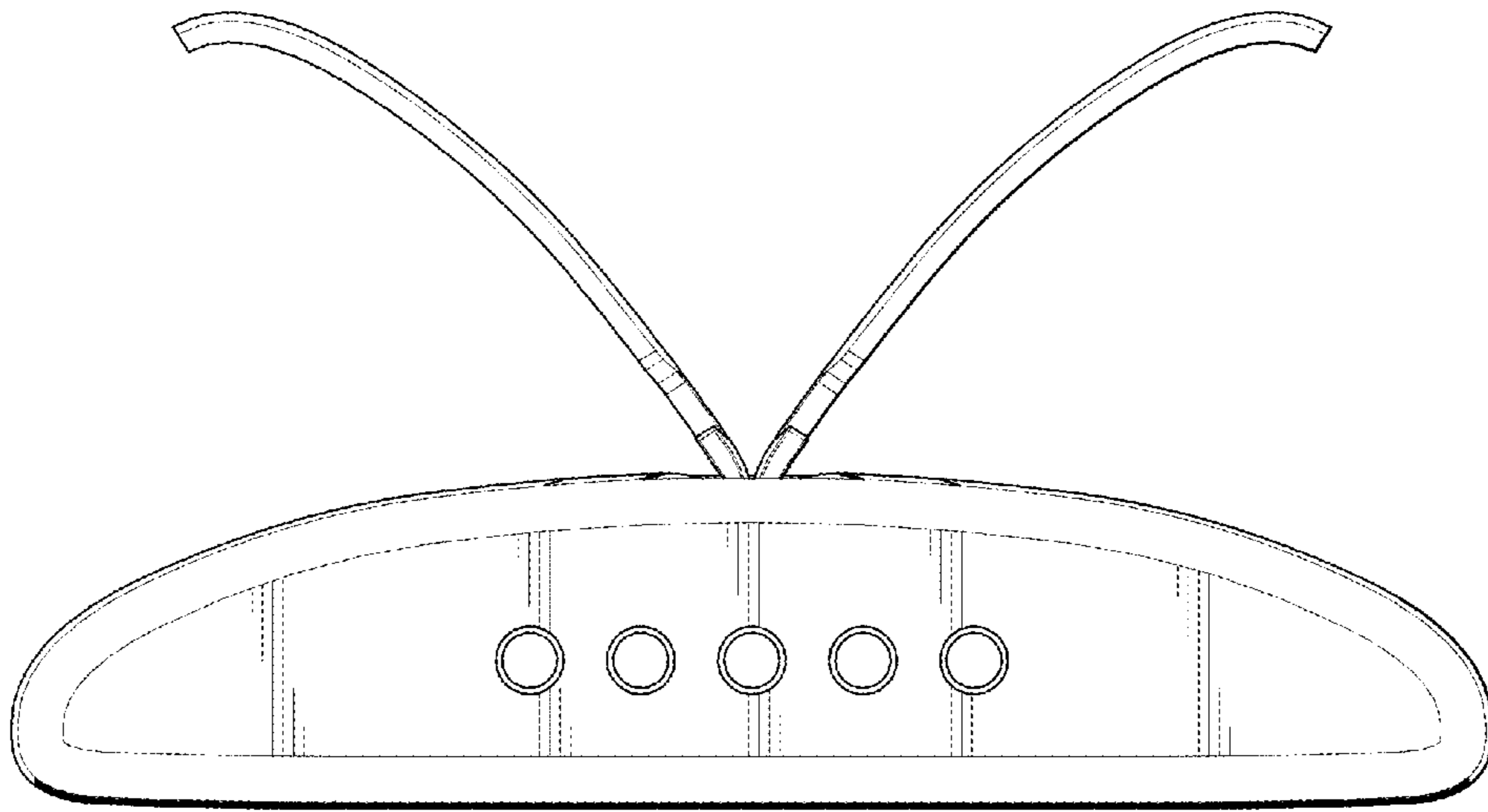


FIG. 3

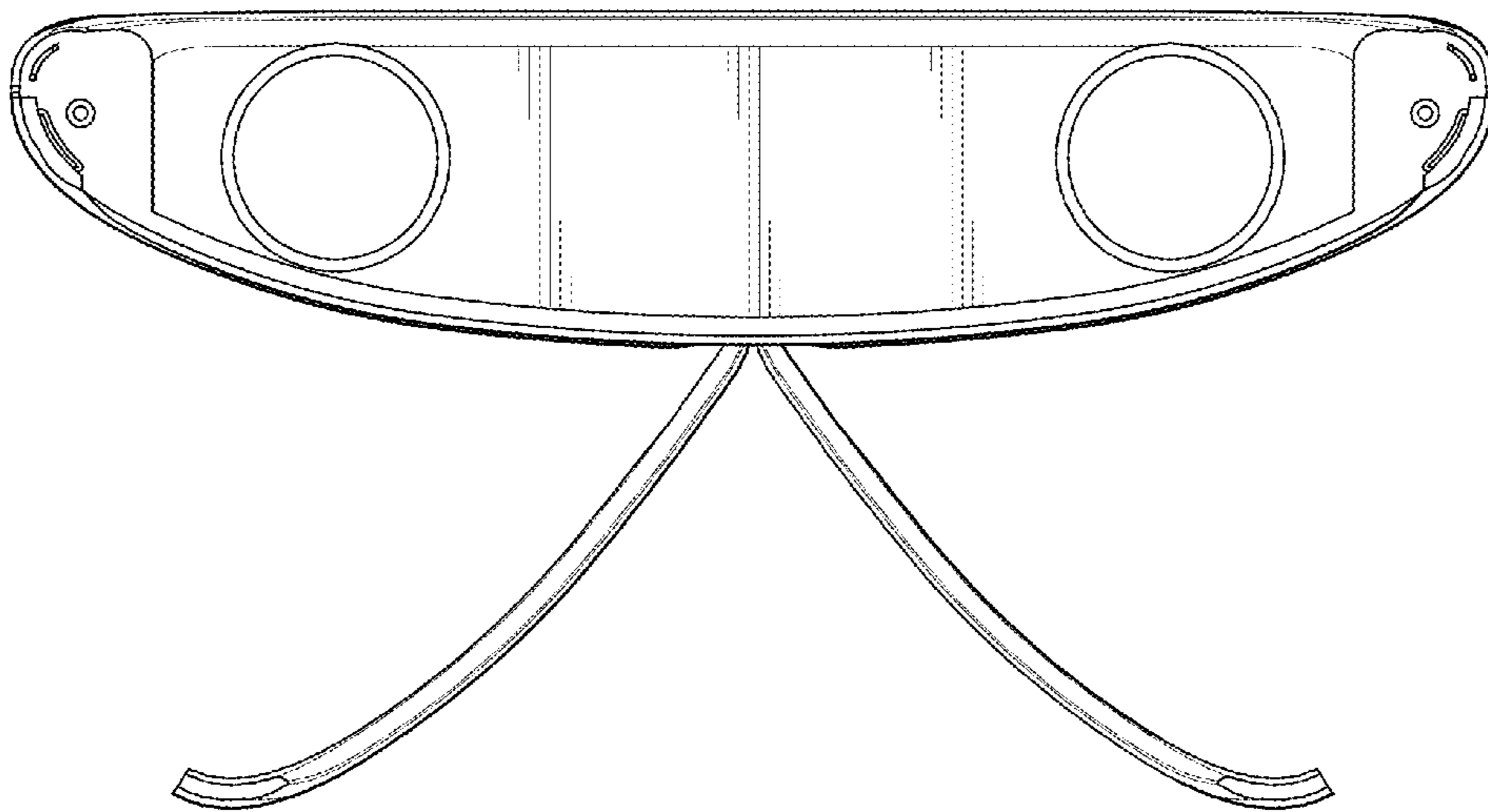


FIG. 4

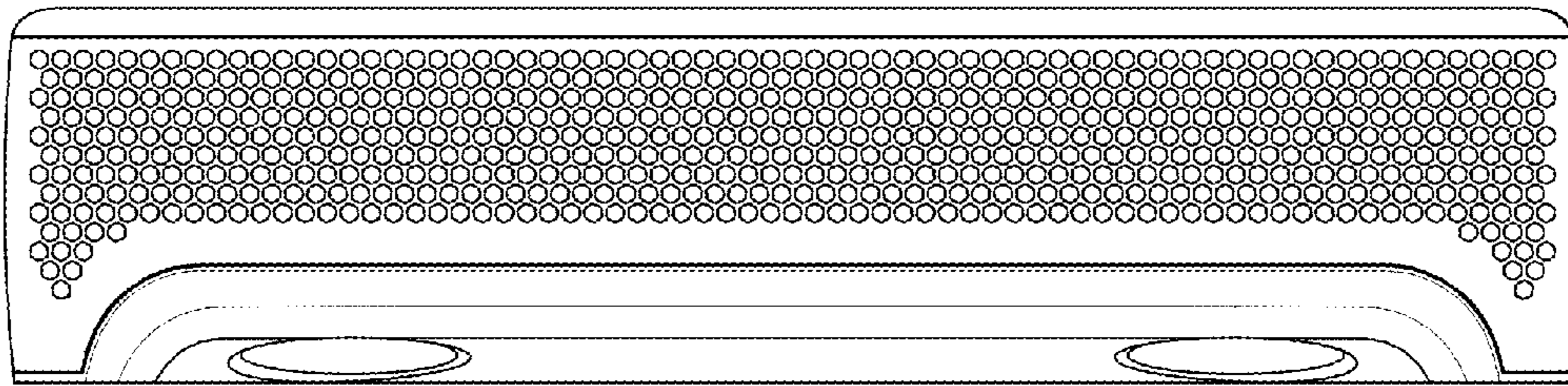


FIG. 5

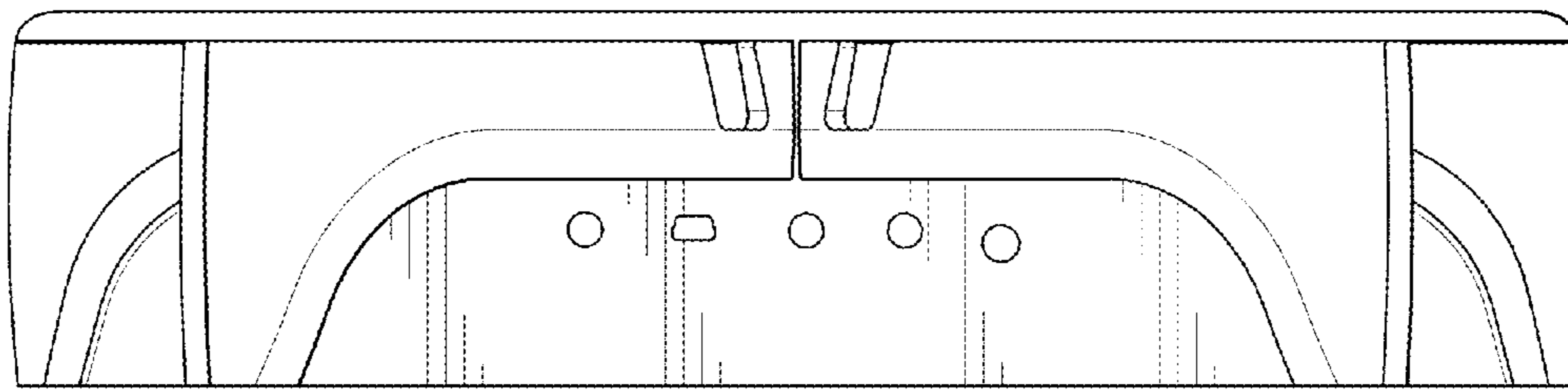


FIG. 6

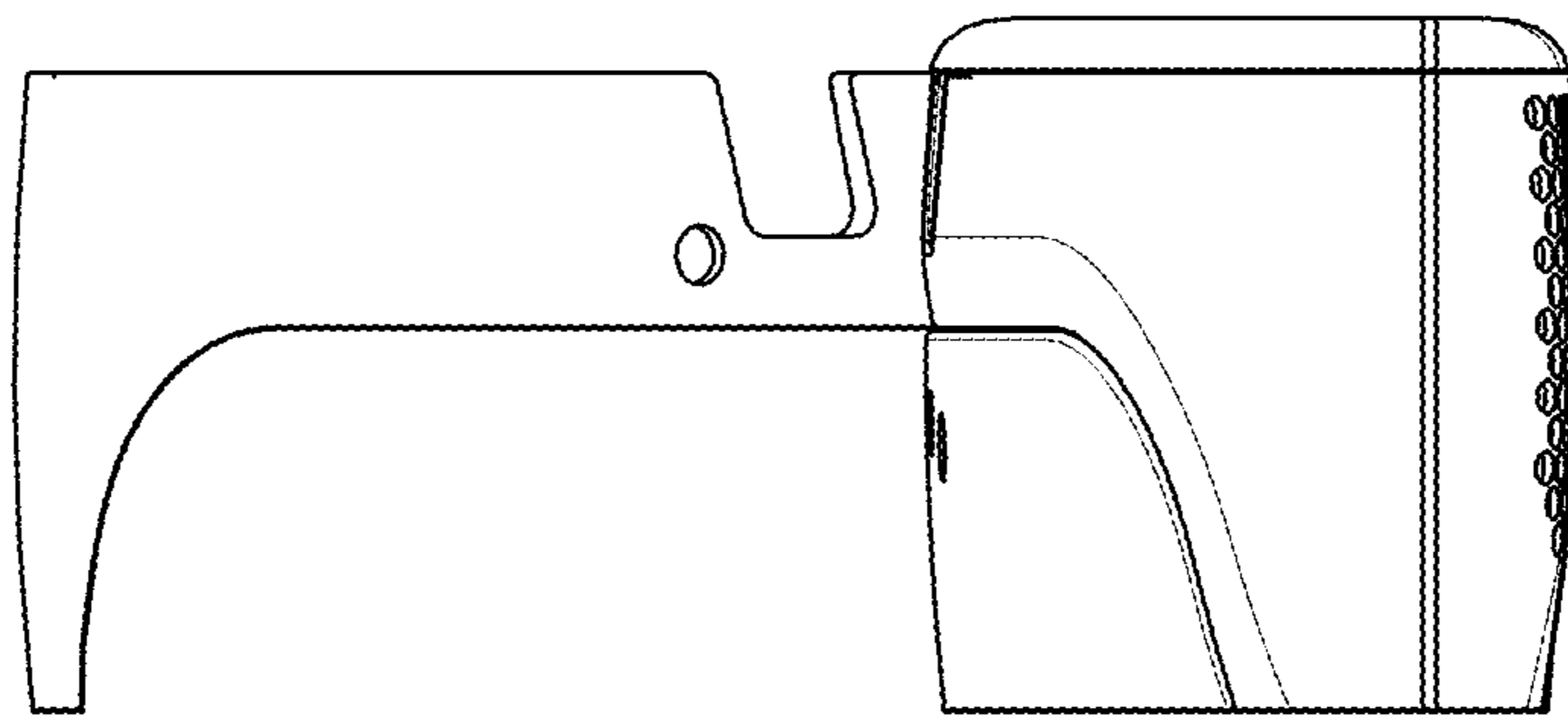


FIG. 7