



US00D765056S

(12) **United States Design Patent**
Yang et al.

(10) **Patent No.:** **US D765,056 S**
(45) **Date of Patent:** **** Aug. 30, 2016**

(54) **COMMUNICATIONS HEADSET OR HEADPHONE**
(71) Applicant: **Plantronics, Inc.**, Santa Cruz, CA (US)
(72) Inventors: **Joseph W Yang**, San Jose, CA (US);
Soo Hyun Ham, San Francisco, CA (US);
Oliver W Henderson, Santa Cruz, CA (US);
John Kelley, Santa Cruz, CA (US);
Erik Tews, Santa Cruz, CA (US)

(73) Assignee: **Plantronics, Inc.**, Santa Cruz, CA (US)

(**) Term: **14 Years**

(21) Appl. No.: **29/523,218**

(22) Filed: **Apr. 7, 2015**

(51) **LOC (10) Cl.** **14-01**

(52) **U.S. Cl.**
USPC **D14/205**

(58) **Field of Classification Search**
USPC D14/205, 206, 225; D29/112; 2/209;
181/129, 130, 135; 379/430, 431;
381/74, 370, 371, 374, 377; 455/90.3,
455/575.1

CPC H04R 1/1066; H04R 1/1016; H04R 1/10;
H04R 25/00

See application file for complete search history.

(56) **References Cited**

U.S. PATENT DOCUMENTS

4,926,961 A * 5/1990 Gattey G10K 11/22
181/18
5,033,094 A * 7/1991 Hung H04M 1/05
381/379
D323,167 S * 1/1992 Yamazaki D14/205
D328,461 S * 8/1992 Daido D14/205
D347,434 S * 5/1994 Yamatogi D14/205
D353,817 S * 12/1994 Wada D14/205
5,406,037 A * 4/1995 Nageno H04R 5/0335
181/129
D358,391 S * 5/1995 Isono D14/205
5,574,795 A * 11/1996 Seki H04R 5/0335
381/370

5,619,584 A * 4/1997 Lin H04R 1/1066
381/370
D388,010 S * 12/1997 Scheufele D11/26
D410,466 S * 6/1999 Mouri D14/205
D449,034 S * 10/2001 Weikel D14/205
D484,485 S * 12/2003 Matsuoka D14/205
6,724,906 B2 * 4/2004 Naksen H04R 1/1066
381/370
6,742,906 B2 * 6/2004 Matsushita G02B 6/0031
362/23.15
D510,335 S * 10/2005 Suzuki D14/205
D539,267 S * 3/2007 Komiyama D14/205
D549,688 S * 8/2007 Suzuki D14/205

(Continued)

FOREIGN PATENT DOCUMENTS

CN 103997701 A 8/2014
CN 203933908 U 11/2014

OTHER PUBLICATIONS

Yang et al., "Communications Headset," Design U.S. Appl. No. 29/523,219, filed Apr. 7, 2015, 8 pages.

(Continued)

Primary Examiner — Paula Greene

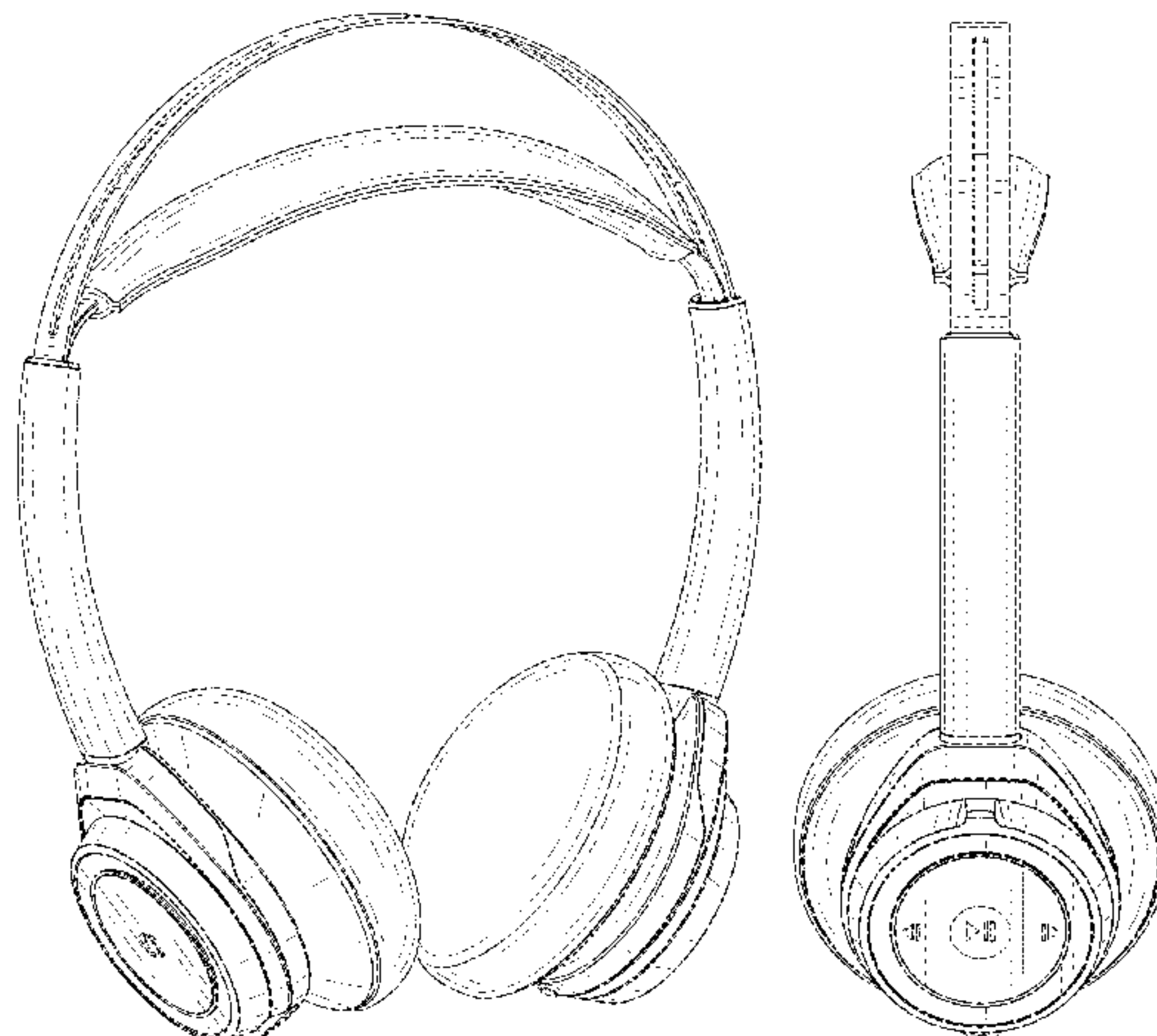
(57) **CLAIM**

The ornamental design for a communications headset or headphone, as shown and described.

DESCRIPTION

FIG. 1 is a front-right-perspective view of a communications headset or headphone showing my new design;
FIG. 2 is a back-left-perspective view thereof;
FIG. 3 is a front view thereof;
FIG. 4 is a back view thereof;
FIG. 5 is a left side view thereof;
FIG. 6 is a right side view thereof;
FIG. 7 is a top view thereof; and,
FIG. 8 is a bottom view thereof.
The broken lines showing the unclaimed features form no part of the claimed design.

1 Claim, 6 Drawing Sheets



(56)

References Cited

U.S. PATENT DOCUMENTS

7,412,070 B2 * 8/2008 Kleinschmidt H04R 1/1083
 381/370
 D588,098 S * 3/2009 Kurihara D14/205
 D589,934 S * 4/2009 Esses D14/206
 D593,995 S * 6/2009 Shimizu D14/205
 D616,418 S * 5/2010 Morisawa D14/205
 D635,959 S * 4/2011 Hutchieson D14/205
 D638,000 S * 5/2011 Hoggarth D14/206
 D642,554 S * 8/2011 Schaal D14/205
 D654,471 S * 2/2012 Fischer D14/206
 D654,472 S * 2/2012 Fischer D14/206
 D662,080 S * 6/2012 Carr D14/205
 D671,914 S * 12/2012 Lee D14/205
 D674,767 S * 1/2013 Brunner D14/205
 D677,647 S * 3/2013 Lee D14/205
 D691,112 S * 10/2013 Brunner D14/206

D691,579 S * 10/2013 Lee D14/205
 D692,410 S * 10/2013 Brunner D14/206
 D695,263 S * 12/2013 Mogili D14/205
 D713,817 S * 9/2014 Paterson D14/205
 D716,258 S * 10/2014 Awiszus D14/206
 D716,259 S * 10/2014 Awiszus D14/206
 D716,760 S * 11/2014 Brunner D14/206
 D717,767 S * 11/2014 Mistry D14/206
 D725,630 S * 3/2015 Nakagawa D14/205
 D732,503 S * 6/2015 Brunner D14/205
 D734,296 S 7/2015 Paterson et al.

OTHER PUBLICATIONS

Unknown, "Koss KTXPRO1 On-Ear Headphones," found at URL
 <[http://www.koss.com/en/products/headphones/on-ear-head-
 phones/KTXPRO1_KTXPRO1_On_Ear_Headphone](http://www.koss.com/en/products/headphones/on-ear-headphones/KTXPRO1_KTXPRO1_On_Ear_Headphone)>, on Oct.
 22, 2014.

* cited by examiner



FIG. 1

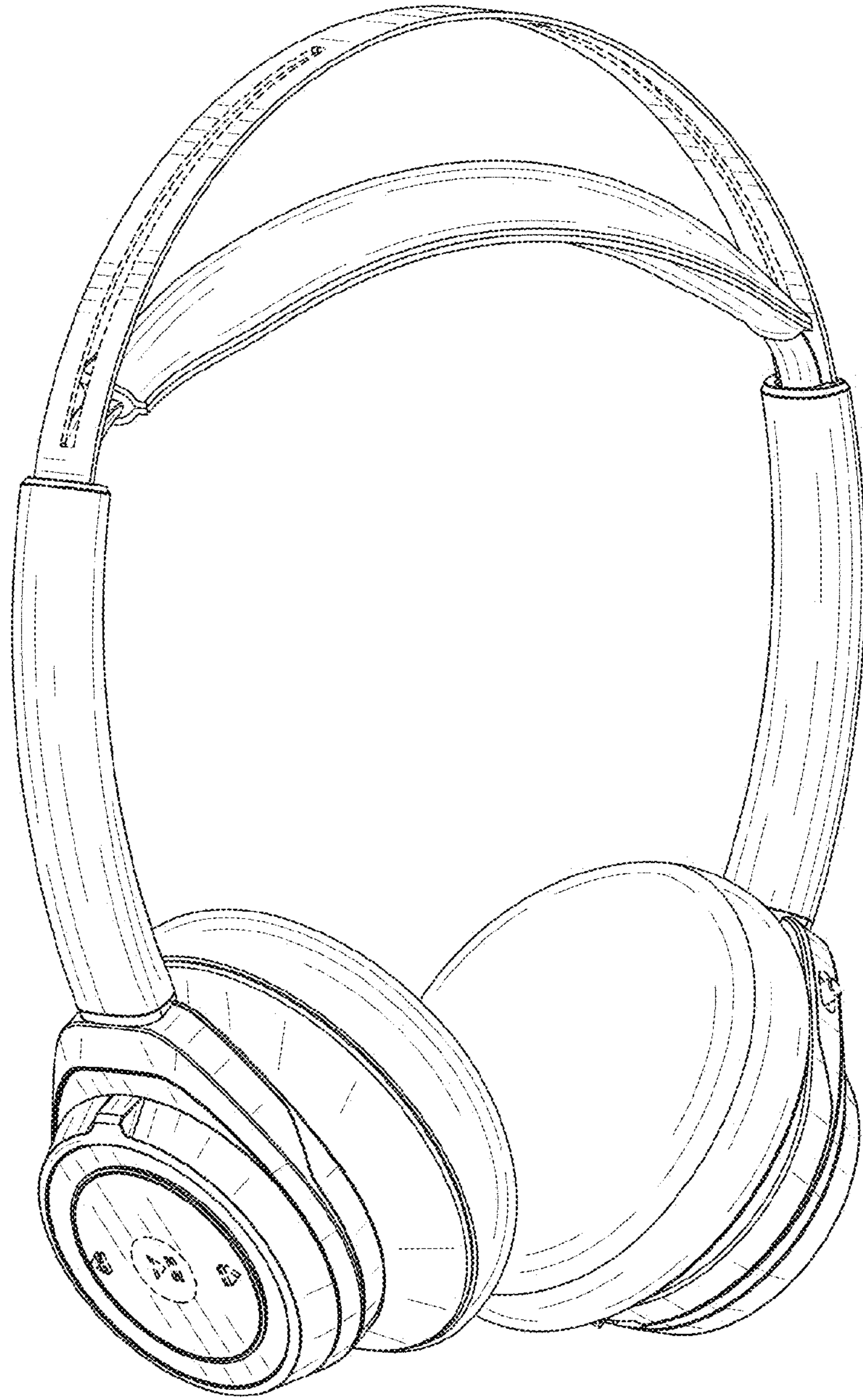


FIG. 2

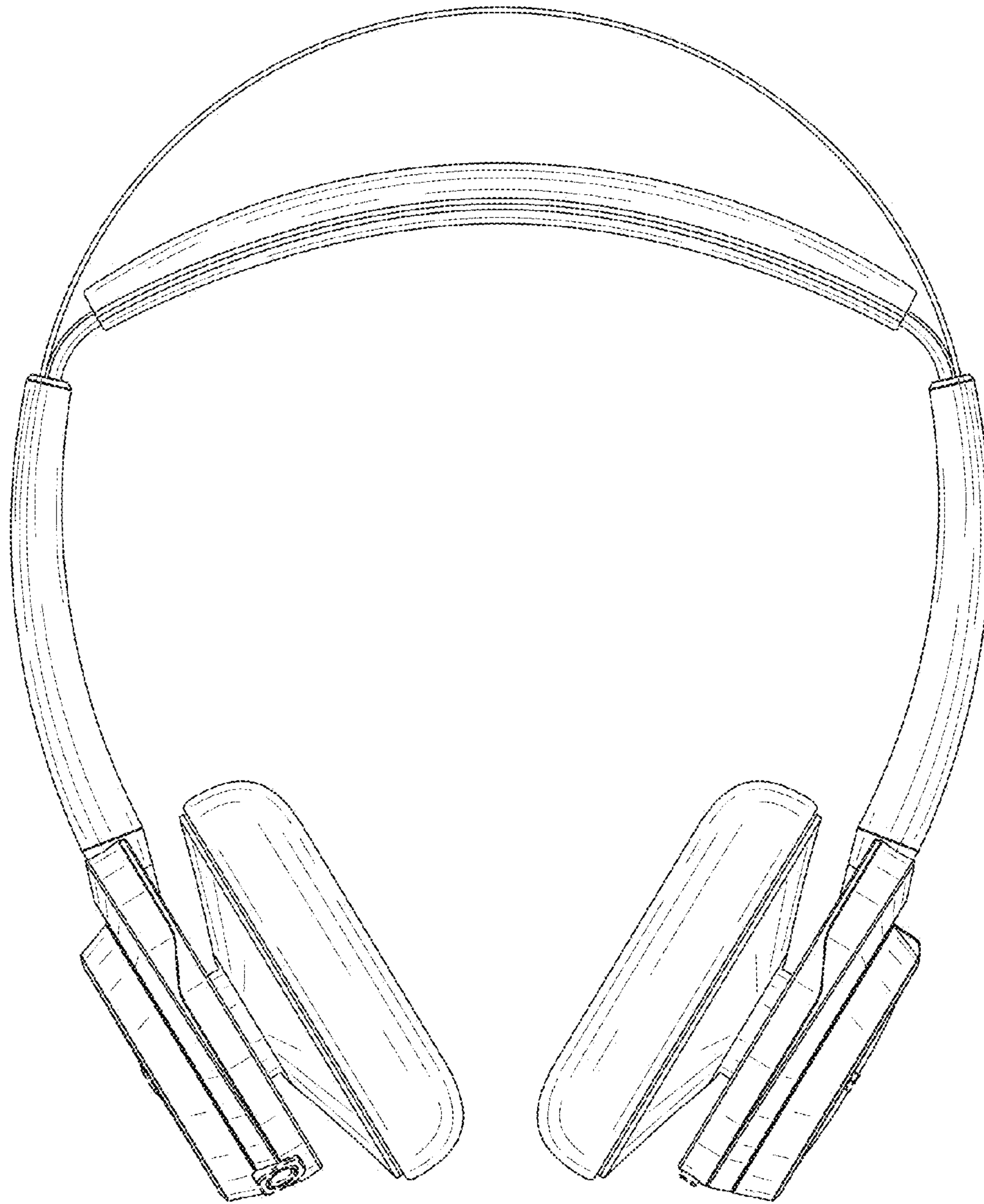


FIG. 3

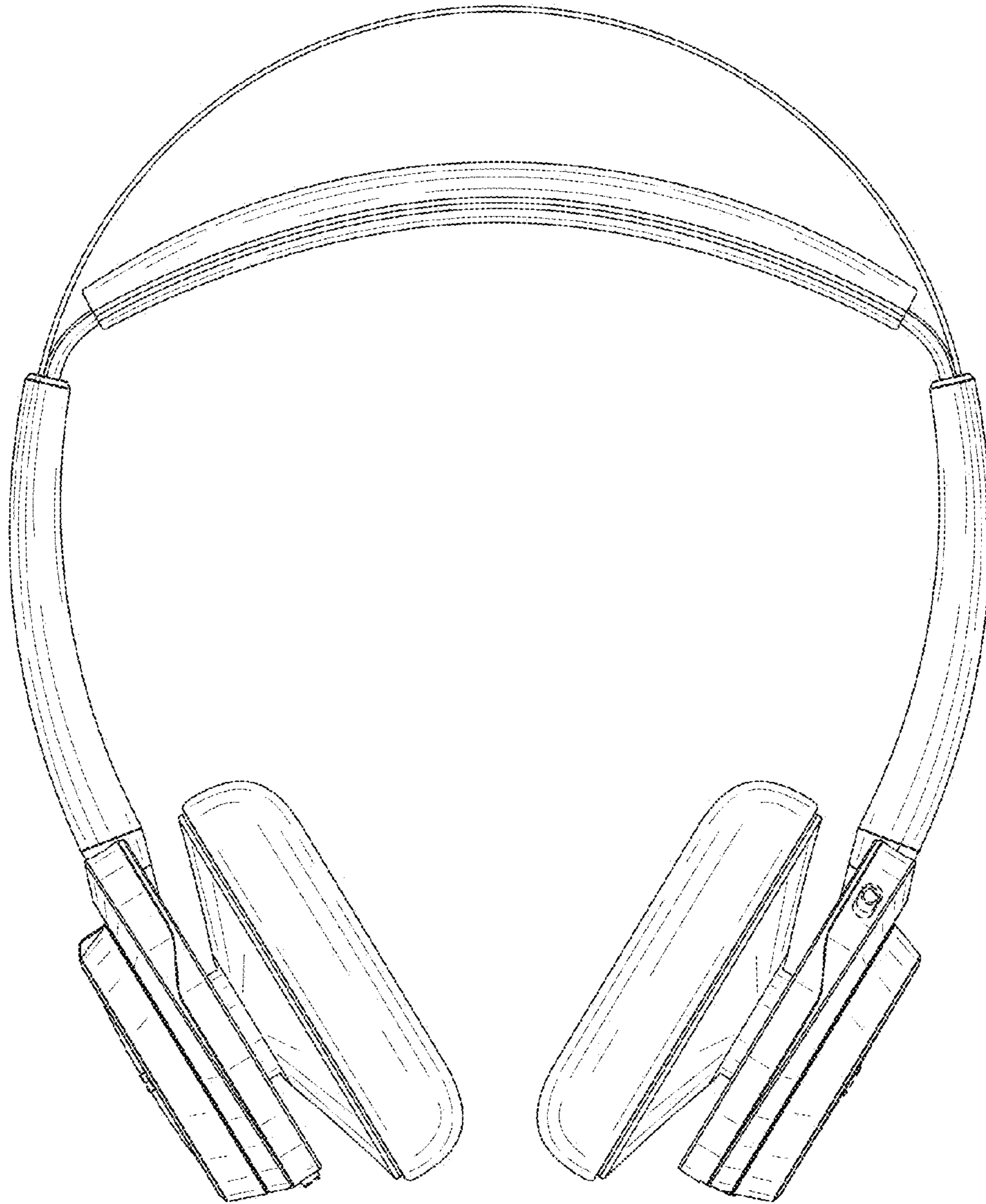


FIG. 4

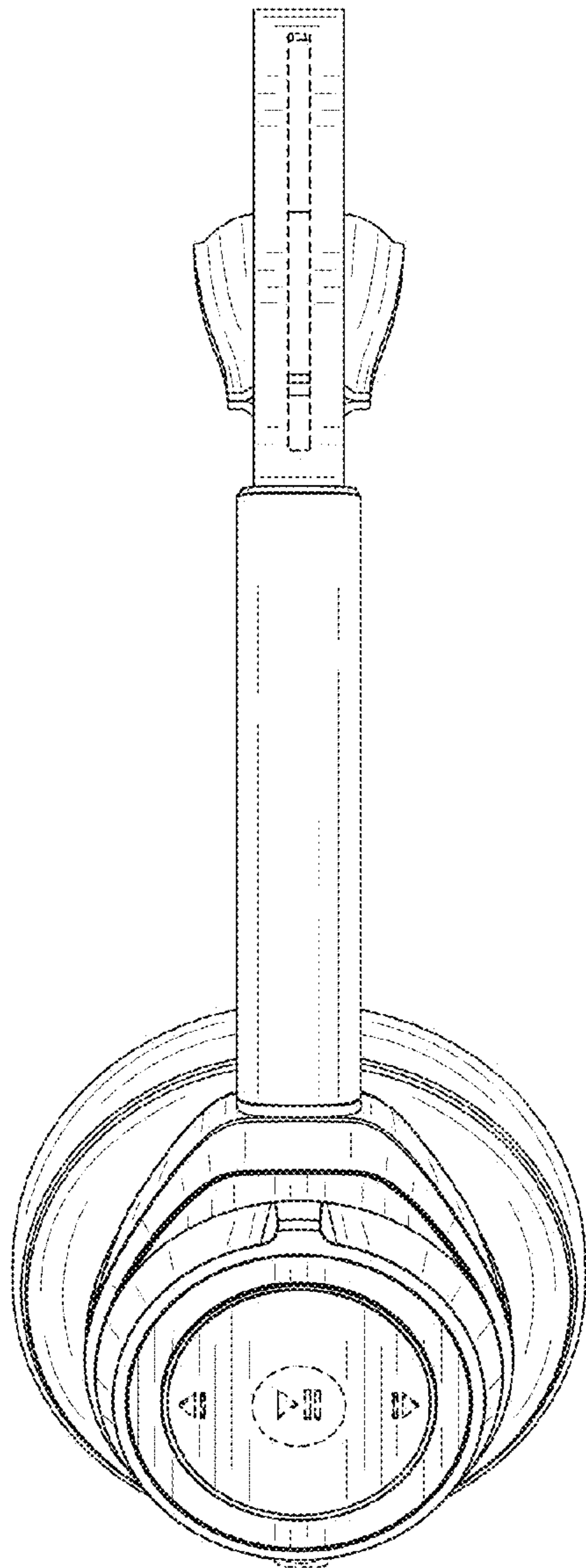


FIG. 5

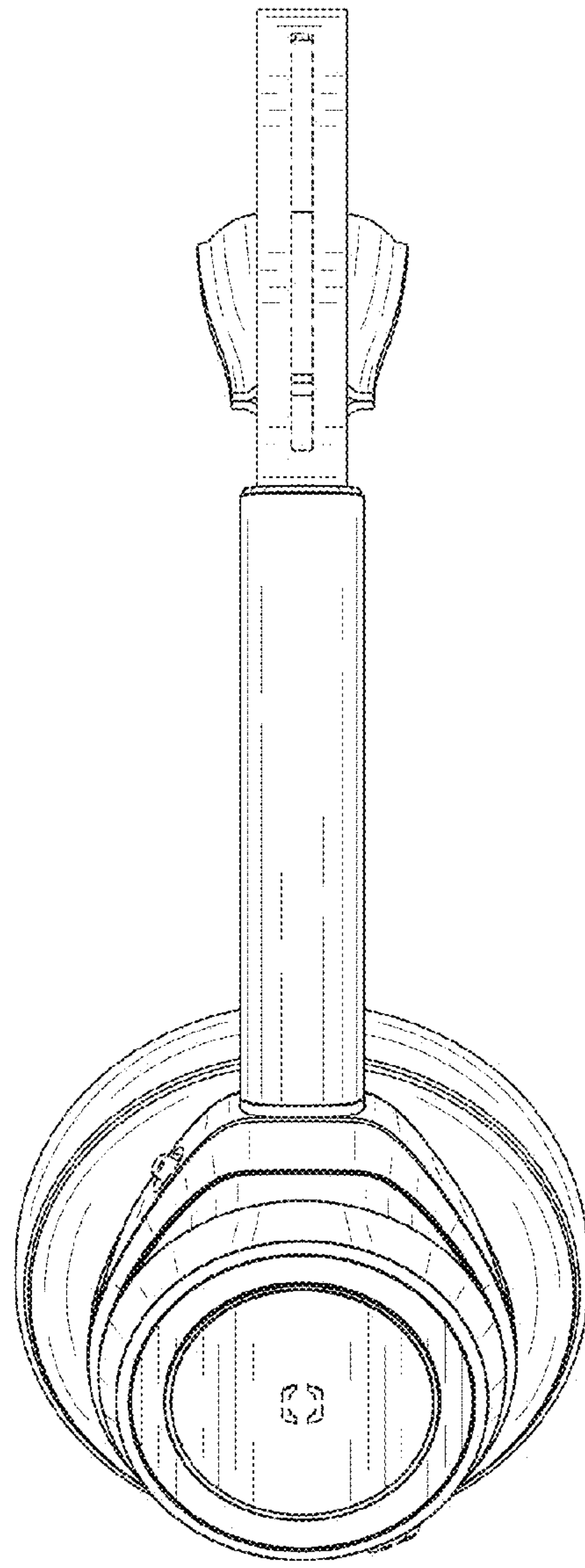


FIG. 6

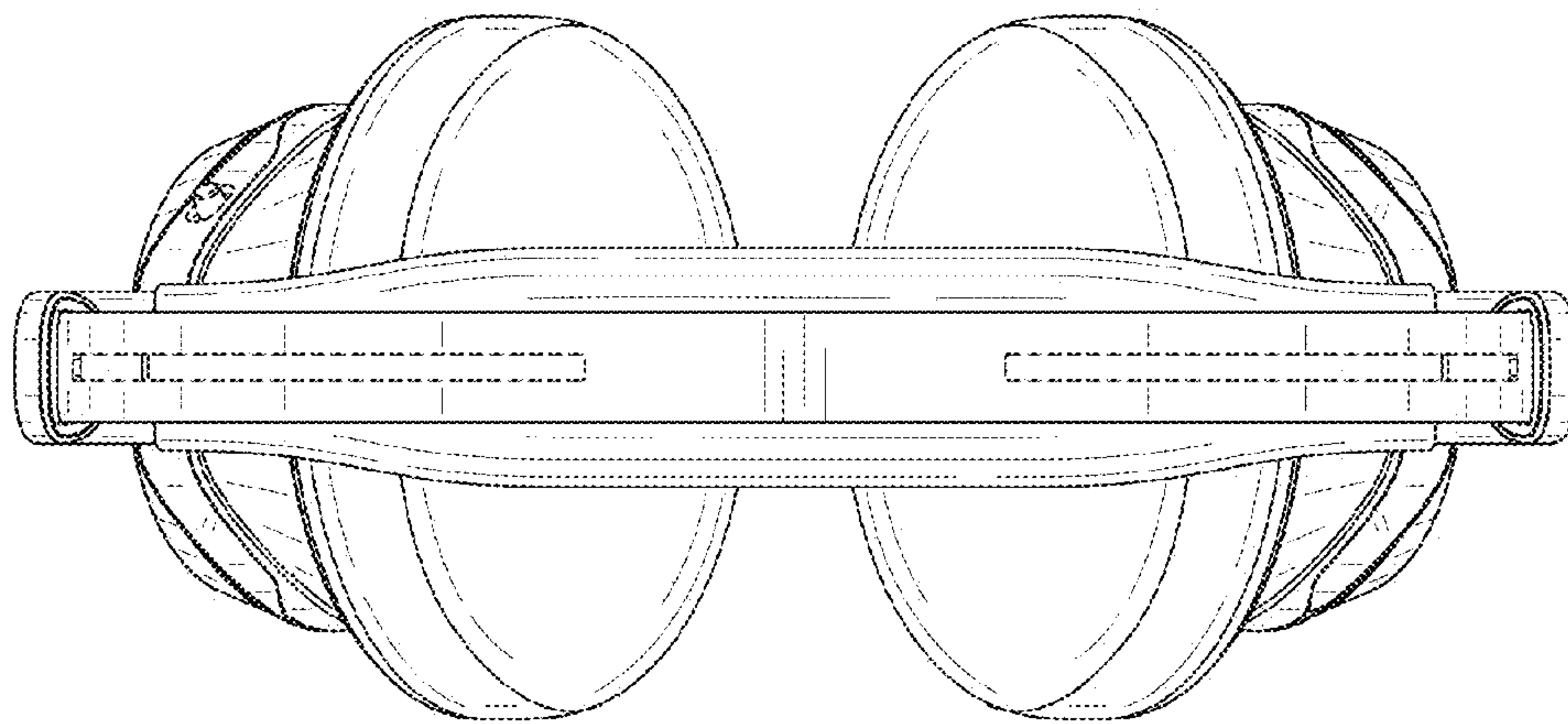


FIG. 7

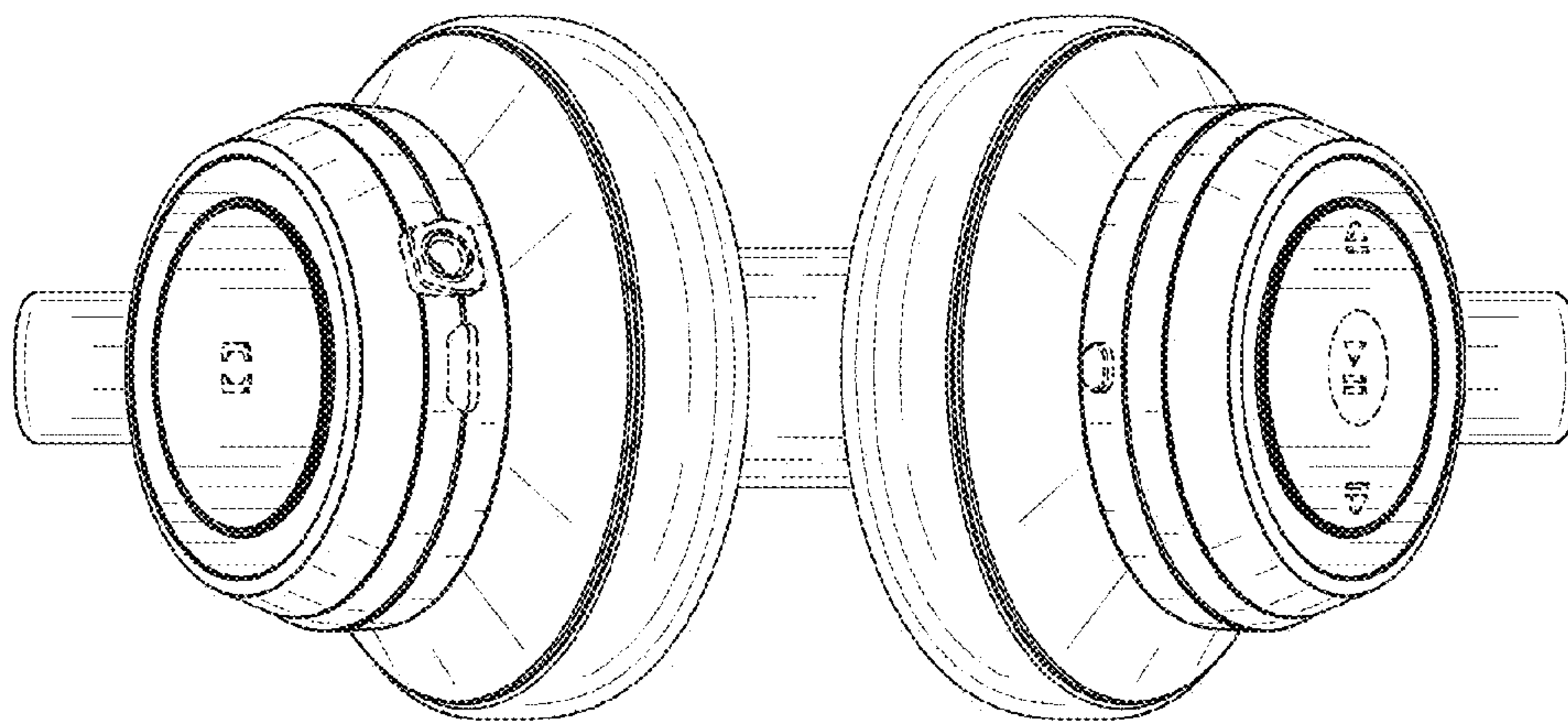


FIG. 8