

US00D765055S

(12) **United States Design Patent**  
**Hsieh et al.**

(10) **Patent No.:** **US D765,055 S**

(45) **Date of Patent:** **\*\* Aug. 30, 2016**

(54) **HEADPHONE**

(71) Applicant: **1MORE INC.**, Shenzhen (CN)

(72) Inventors: **Kuanhong Hsieh**, Guangdong (CN);  
**Boqing Lin**, Shenzhen (CN); **Jiao Chen**, Shenzhen (CN); **Qingqing Zheng**, Shenzhen (CN)

(73) Assignee: **1MORE INC.**, Shenzhen (CN)

(\*\*) Term: **14 Years**

(21) Appl. No.: **29/521,148**

(22) Filed: **Mar. 20, 2015**

(30) **Foreign Application Priority Data**

Nov. 13, 2014 (CN) ..... 2014 3 0446759

(51) **LOC (10) Cl.** ..... **14-01**

(52) **U.S. Cl.**  
USPC ..... **D14/205**

(58) **Field of Classification Search**  
USPC ..... D14/205, 188, 192; D29/112; 2/209;  
181/129, 130, 135; 379/430, 431;  
381/380, 381, 374; 455/90.3, 575.1,  
455/569.1  
CPC ..... H04R 1/1016; H04R 1/10; H04R 5/033;  
H04R 5/0335  
See application file for complete search history.

(56) **References Cited**

**U.S. PATENT DOCUMENTS**

D229,833 S \* 1/1974 Becker ..... D14/205  
4,037,064 A \* 7/1977 Yasuda ..... H04R 5/027  
381/26  
D254,616 S \* 4/1980 Tabata ..... D14/205  
4,829,571 A \* 5/1989 Kakiuchi ..... H04R 1/1033  
381/309  
5,018,599 A \* 5/1991 Dohi ..... H04R 1/1008  
181/129

5,068,923 A \* 12/1991 Sjoqvist ..... A61F 11/14  
181/129  
D328,074 S \* 7/1992 Yamazaki ..... D14/205  
D328,461 S \* 8/1992 Daido ..... D14/205  
5,185,807 A \* 2/1993 Bergin ..... H04R 1/1066  
181/128  
D345,163 S \* 3/1994 Yamatogi ..... D14/205  
5,406,037 A \* 4/1995 Nageno ..... H04R 5/0335  
181/129  
D410,466 S \* 6/1999 Mouri ..... D14/205  
D420,356 S \* 2/2000 Suzuki ..... D14/205  
D435,249 S \* 12/2000 Yasutomi ..... D14/205  
6,263,085 B1 \* 7/2001 Weffer ..... H04R 5/033  
379/430  
6,654,966 B2 \* 12/2003 Rolla ..... H04R 5/0335  
2/209  
D541,255 S \* 4/2007 Taylor ..... D14/205  
D563,382 S \* 3/2008 Wikel ..... D14/205  
7,388,960 B2 \* 6/2008 Kuo ..... H04R 1/1041  
379/430  
D588,098 S \* 3/2009 Kurihara ..... D14/205

(Continued)

*Primary Examiner* — Paula Greene

(74) *Attorney, Agent, or Firm* — Polsinelli PC

(57) **CLAIM**

The ornamental design for a headphone, as shown and described.

**DESCRIPTION**

FIG. 1 is a front elevational view of a headphone showing my new design;

FIG. 2 is a rear elevational view thereof;

FIG. 3 is a left-side elevational view thereof;

FIG. 4 is a right-side elevational view thereof;

FIG. 5 is a top plan view thereof;

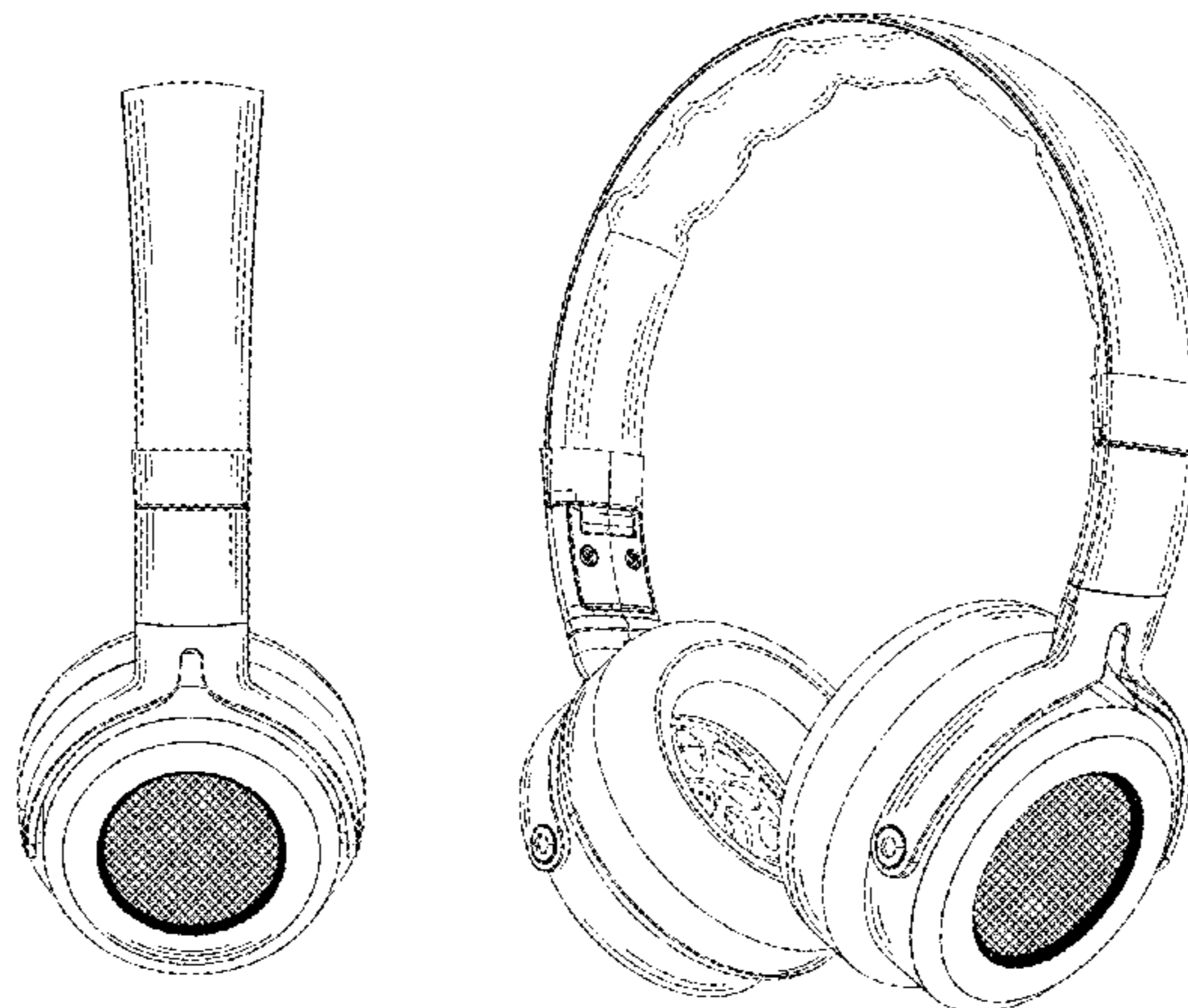
FIG. 6 is a bottom plan view thereof; and,

FIG. 7 is a right side perspective view thereof.

The claimed invention is symmetrical, such that a left side perspective view of the headphone would be symmetrical to the view of FIG. 7.

The broken lines in the drawings form no part of the claimed design.

**1 Claim, 7 Drawing Sheets**



# US D765,055 S

Page 2

---

(56)

## References Cited

### U.S. PATENT DOCUMENTS

D594,847 S \* 6/2009 Suzuki ..... D14/205  
8,098,872 B2 \* 1/2012 Chang ..... H04R 1/1075  
381/370  
D673,519 S \* 1/2013 Tan ..... D14/205

D719,136 S \* 12/2014 Schaal ..... D14/205  
D721,052 S \* 1/2015 Carr ..... D14/205  
D727,283 S \* 4/2015 Dryden ..... D14/205  
D728,512 S \* 5/2015 Nakagawa ..... D14/205  
D737,297 S \* 8/2015 Moon ..... D14/486  
D746,790 S \* 1/2016 Strasberg ..... D14/205

\* cited by examiner



FIG. 1



FIG. 2

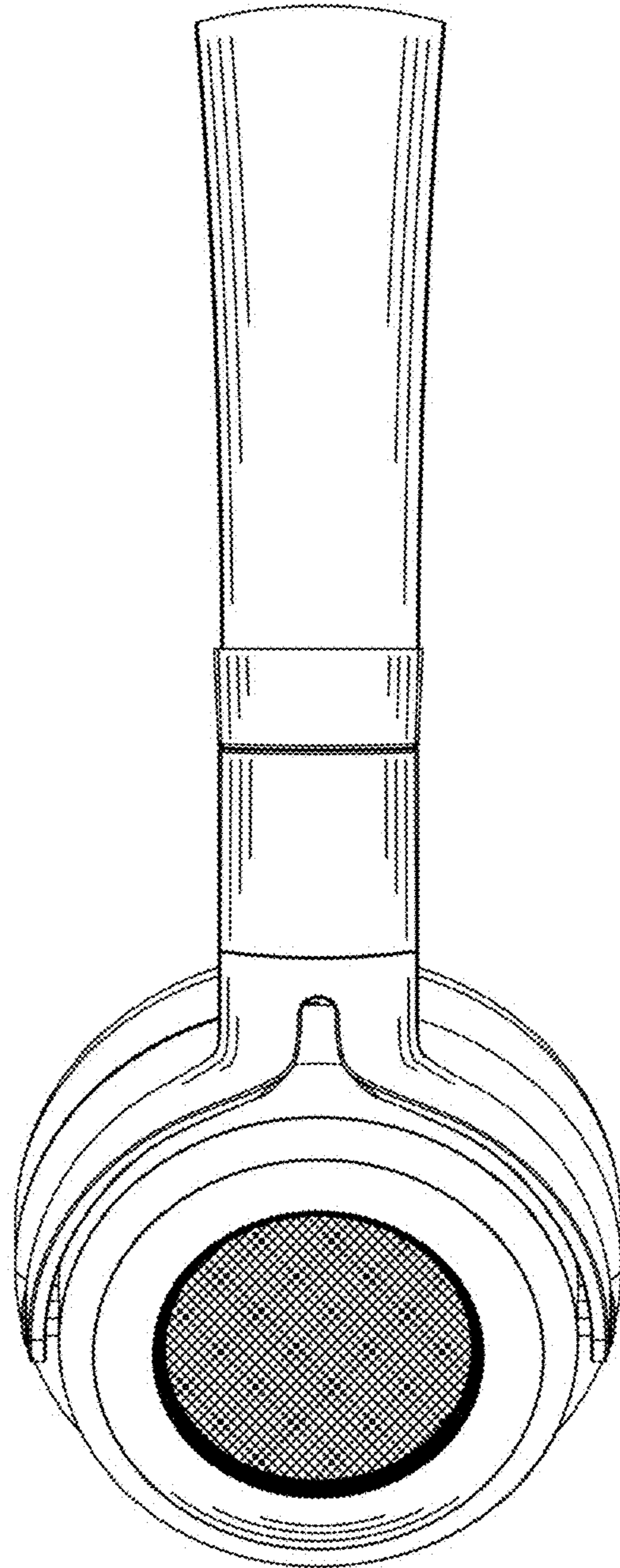


FIG. 3

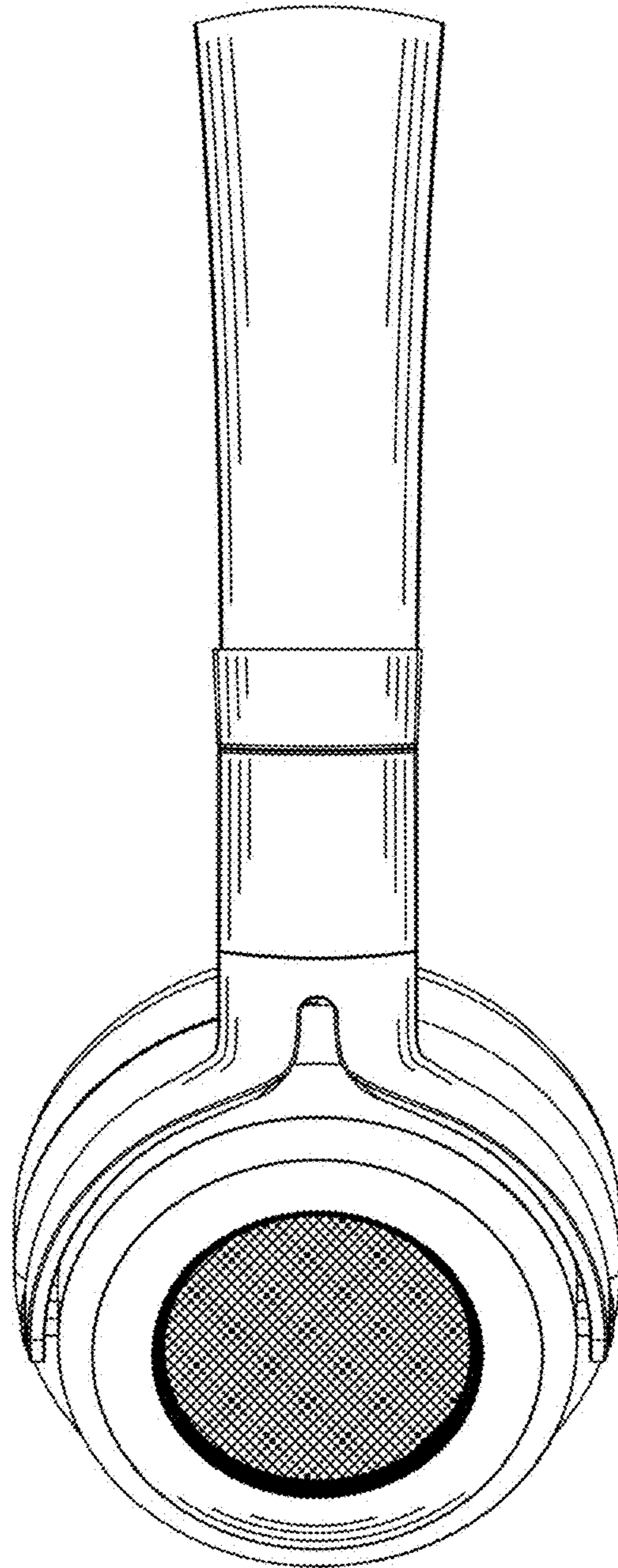


FIG. 4

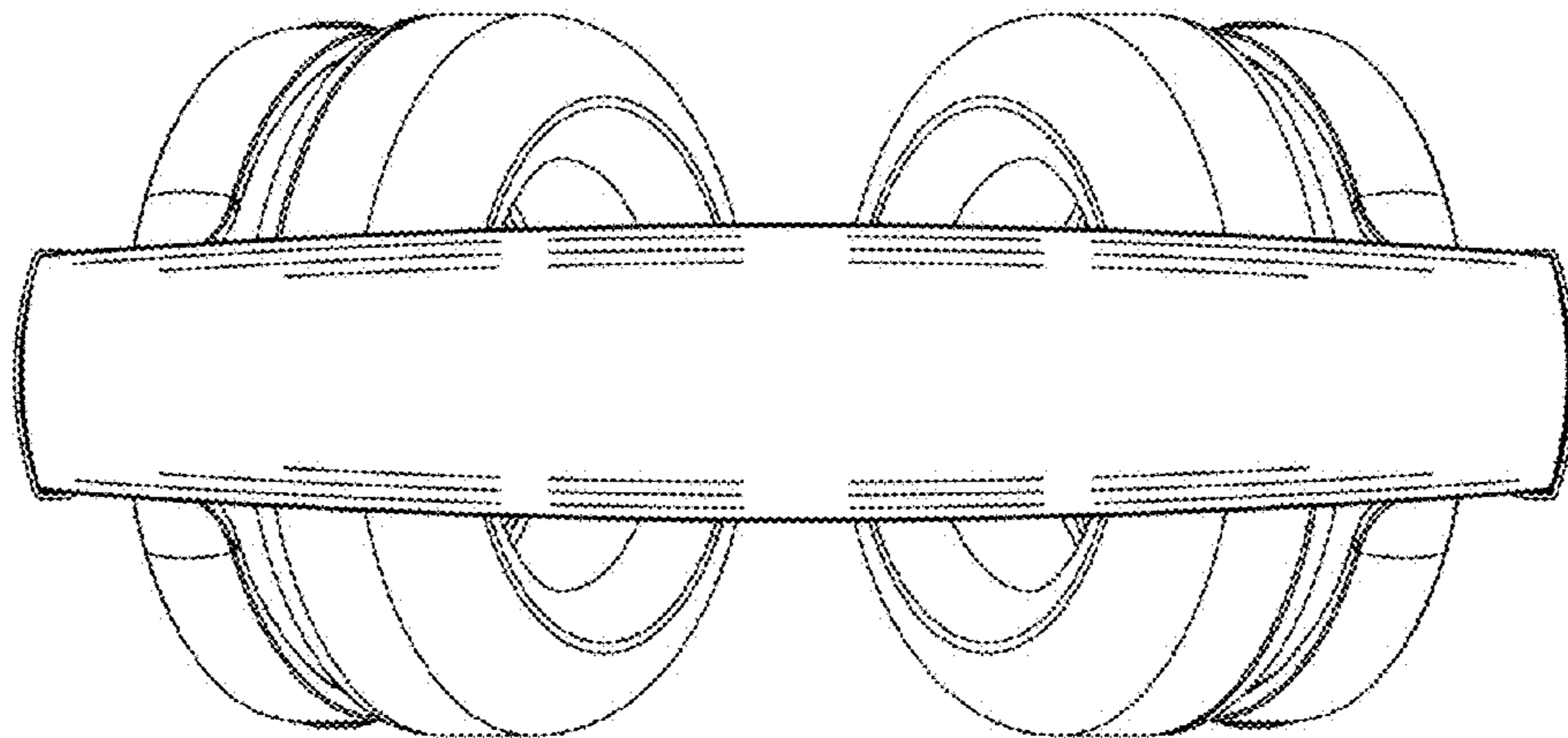


FIG. 5

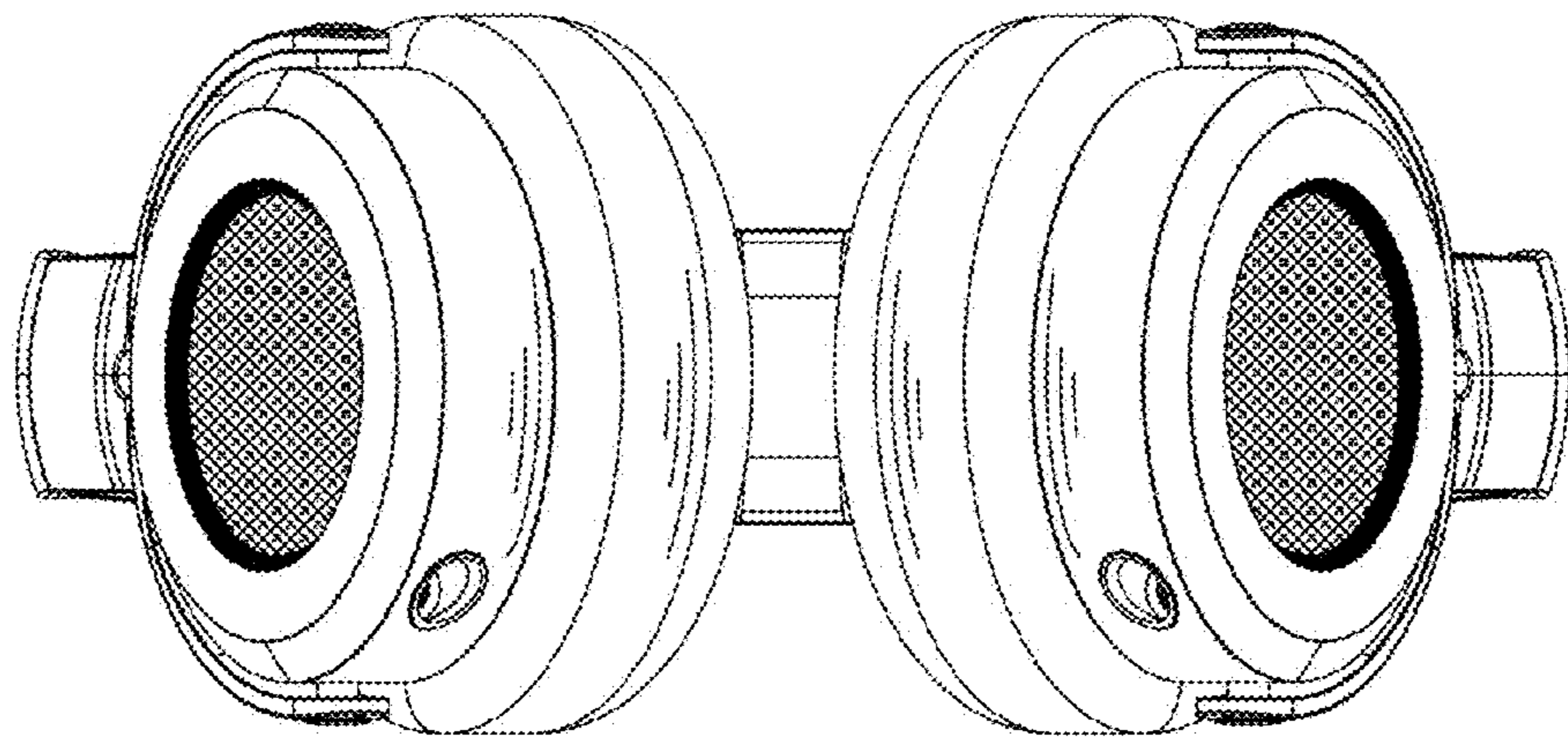


FIG. 6





FIG. 7