



US00D765053S

(12) **United States Design Patent**  
**Navarrete**

(10) **Patent No.:** **US D765,053 S**

(45) **Date of Patent:** **\*\* Aug. 30, 2016**

(54) **TELEVISION REMOTE CONTROL PAGER**

(71) Applicant: **Philmore Navarrete**, Tampa, FL (US)

(72) Inventor: **Philmore Navarrete**, Tampa, FL (US)

(\*\*) Term: **15 Years**

(21) Appl. No.: **29/527,385**

(22) Filed: **May 19, 2015**

(51) **LOC (10) Cl.** ..... **14-03**

(52) **U.S. Cl.**

USPC ..... **D14/191**; D14/218; D10/104.1

(58) **Field of Classification Search**

USPC ..... D14/135, 137, 139, 155, 157, 188, 191,  
D14/197, 198, 299; 455/90.1-90.3,  
455/3.01-3.06, 91, 95, 100, 128, 351;  
340/7.1, 7.2, 7.57, 7.6, 7.62, 7.63

CPC .. G05D 23/1905; G08B 3/00; G08B 3/1008;  
G08B 3/1025; G08B 3/1058; H04B 1/02;  
H04B 1/04; H04B 1/40; H04B 1/0458;  
H04B 1/0475; H04H 20/38; H04H 40/27;  
H04H 60/37; H04H 60/64; H04H 60/73;  
H04L 12/1813; H04L 12/1822; H04L 67/125;  
H04M 11/022; H04N 7/147; H05K 5/00;  
H04W 12/02

See application file for complete search history.

(56) **References Cited**

**U.S. PATENT DOCUMENTS**

D380,747 S	7/1997	Carley	
D388,721 S *	1/1998	Kinner	D10/104.1
D405,020 S *	2/1999	Brown	D10/104.1
D422,234 S *	4/2000	Artuz, Jr.	D10/104.1
D423,510 S *	4/2000	Pizarro	D14/191
D424,464 S *	5/2000	Stephens	D10/104.1
D427,098 S *	6/2000	Biary	D10/104.1
D444,455 S *	7/2001	Solymanbeyk	D14/191
D453,698 S *	2/2002	Marks	D10/104.1
D476,588 S *	7/2003	Lee	D10/104.1

D492,283 S *	6/2004	Adam	D14/218
D518,399 S *	4/2006	Breslow	D10/109.1
D535,971 S *	1/2007	Andrade	D14/155
D573,498 S *	7/2008	Sherwood	D10/104.1
7,436,460 B2	10/2008	Hawkwood	
D599,323 S *	9/2009	Petersen	D14/191
D677,239 S *	3/2013	Todorovitch	D14/131
2003/0137417 A1	7/2003	Vought	
2004/0017293 A1	1/2004	Webster	
2004/0222886 A1	11/2004	Davankov	
2006/0055372 A1	3/2006	Jackson	
2006/0232402 A1	10/2006	Martinez	
2009/0058640 A1	3/2009	VanTorre	

**FOREIGN PATENT DOCUMENTS**

WO WO9731479 A1 8/1997

\* cited by examiner

*Primary Examiner* — Keli L Hill

(57) **CLAIM**

I claim the ornamental design for a television remote control pager, as shown and described.

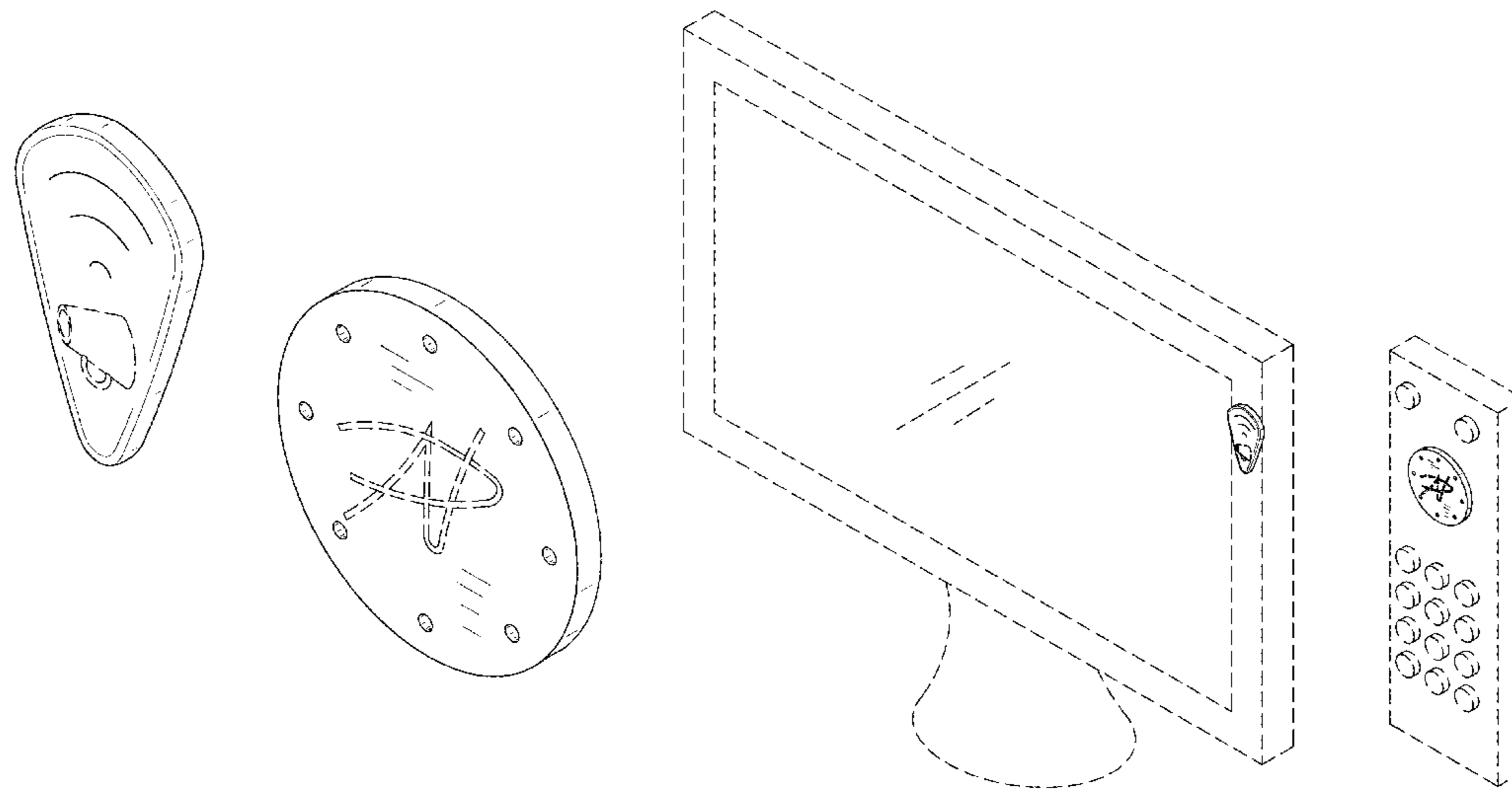
**DESCRIPTION**

FIG. 1 is a front view of the television remote control pager. FIG. 2 is a back view of the claimed design. FIG. 3 is a side view of the claimed design. FIG. 4 is a top view of the claimed design. FIG. 5 is a bottom view of the claimed design. FIG. 6 is a perspective view of the claimed design; and, FIG. 7 is a perspective view of the claimed design as appears on a television and remote control.

The broken lines appearing on FIG. 7 of a television and remote control are environmental matter forming no part of the claimed design.

The emblems depicted on FIGS. 1, 6, and 7 shall be construed as environmental matter, and form no part of the claimed design.

**1 Claim, 5 Drawing Sheets**



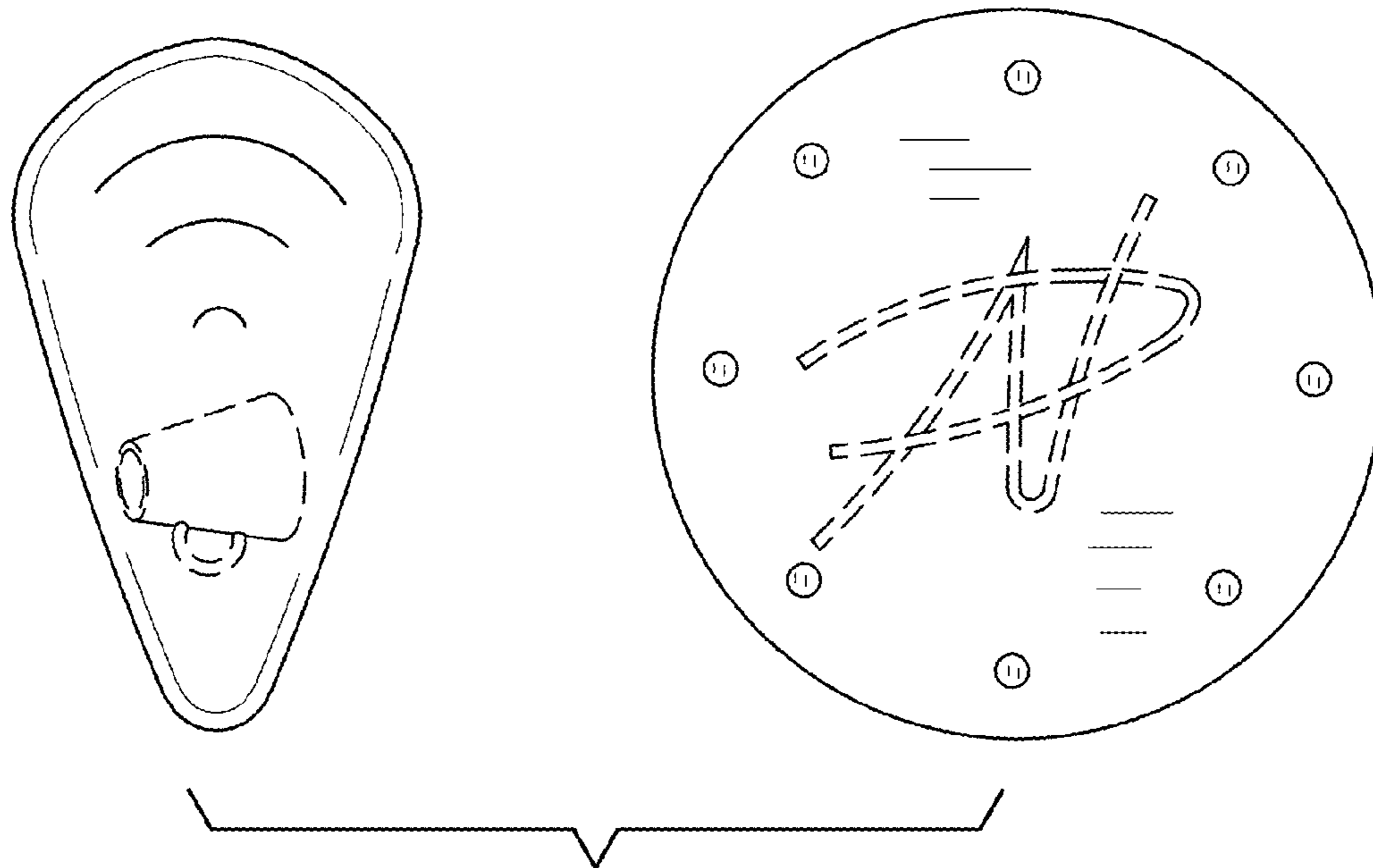


FIG. 1

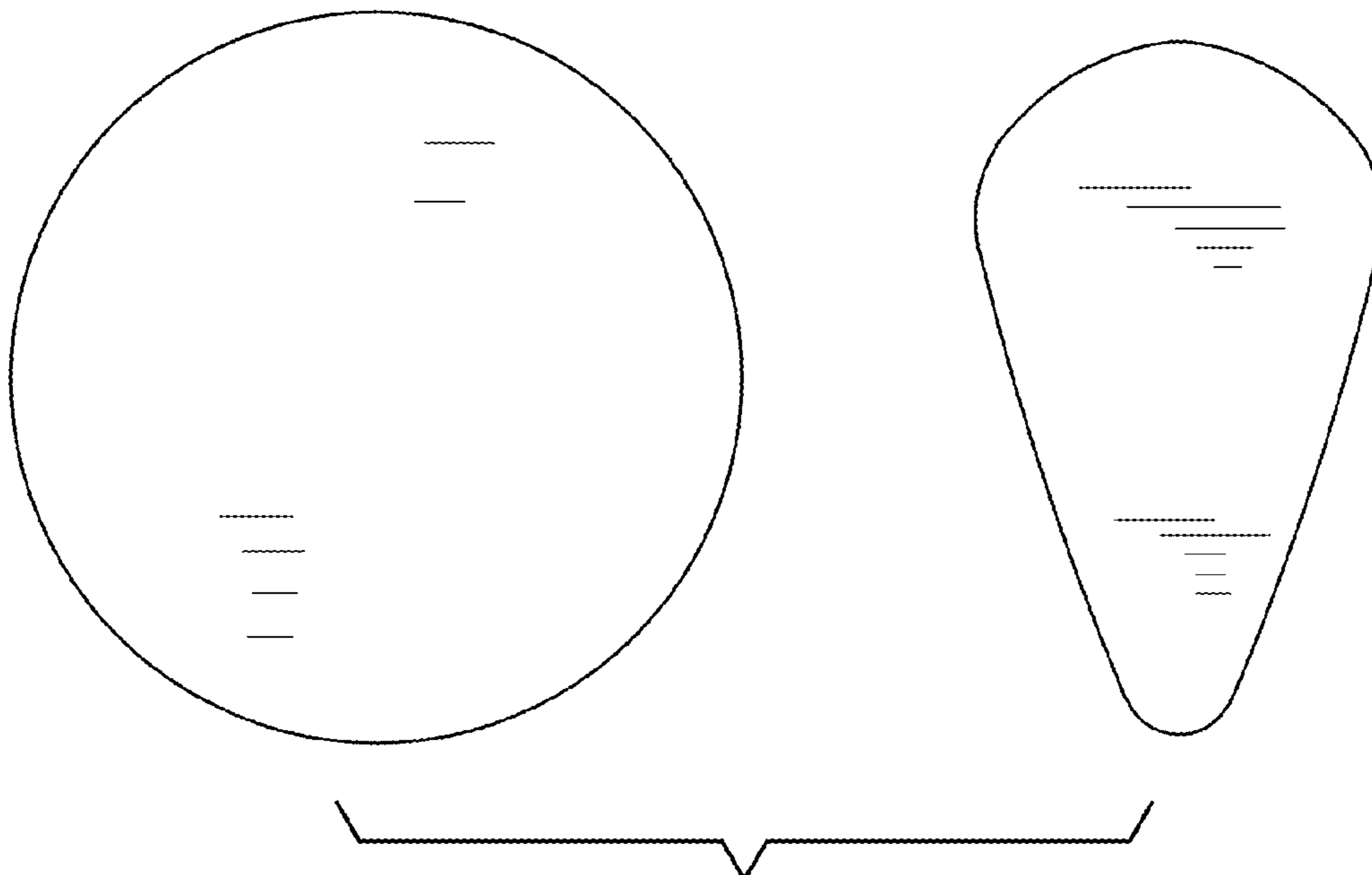


FIG. 2

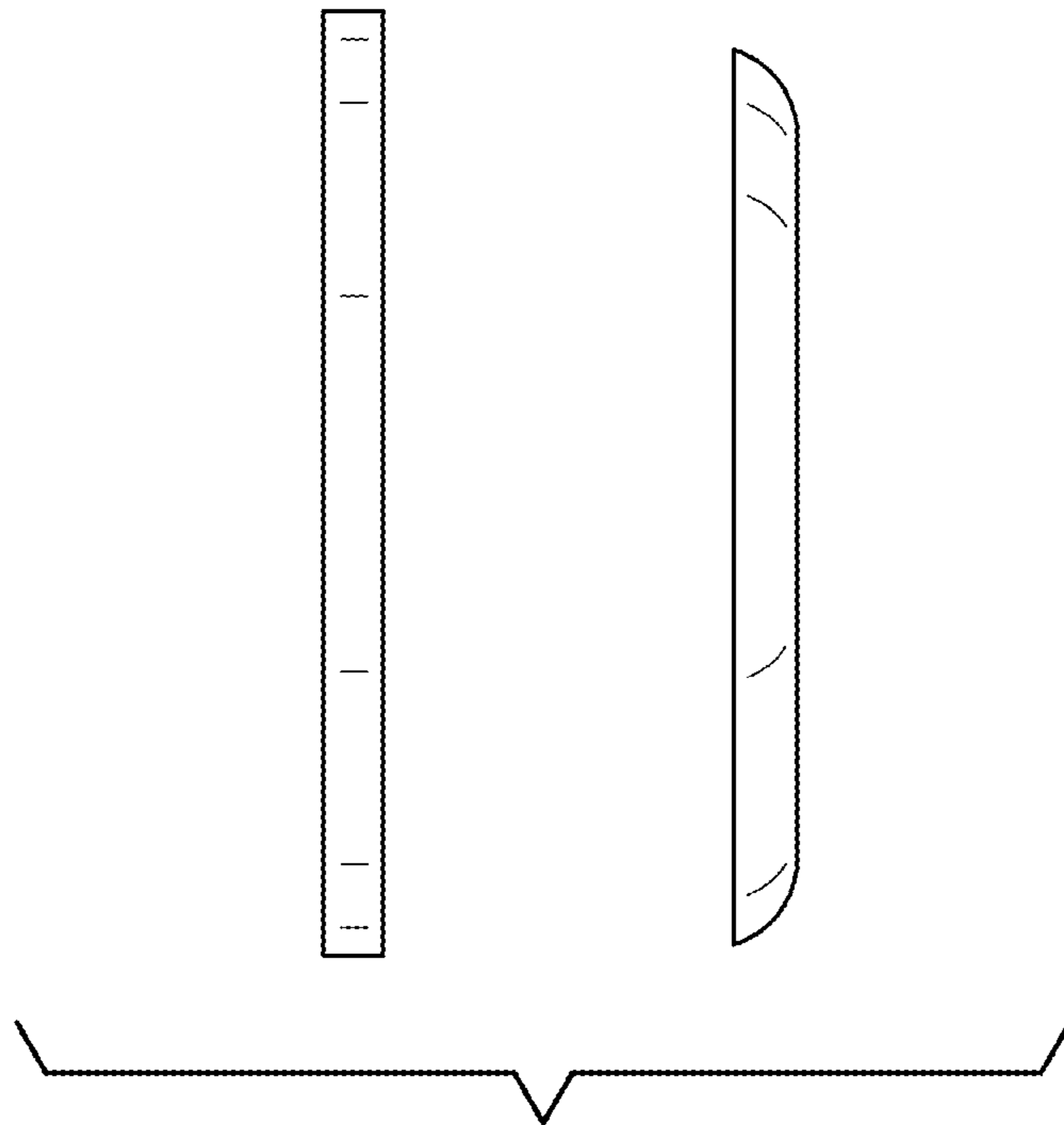


FIG. 3



FIG. 4



FIG. 5

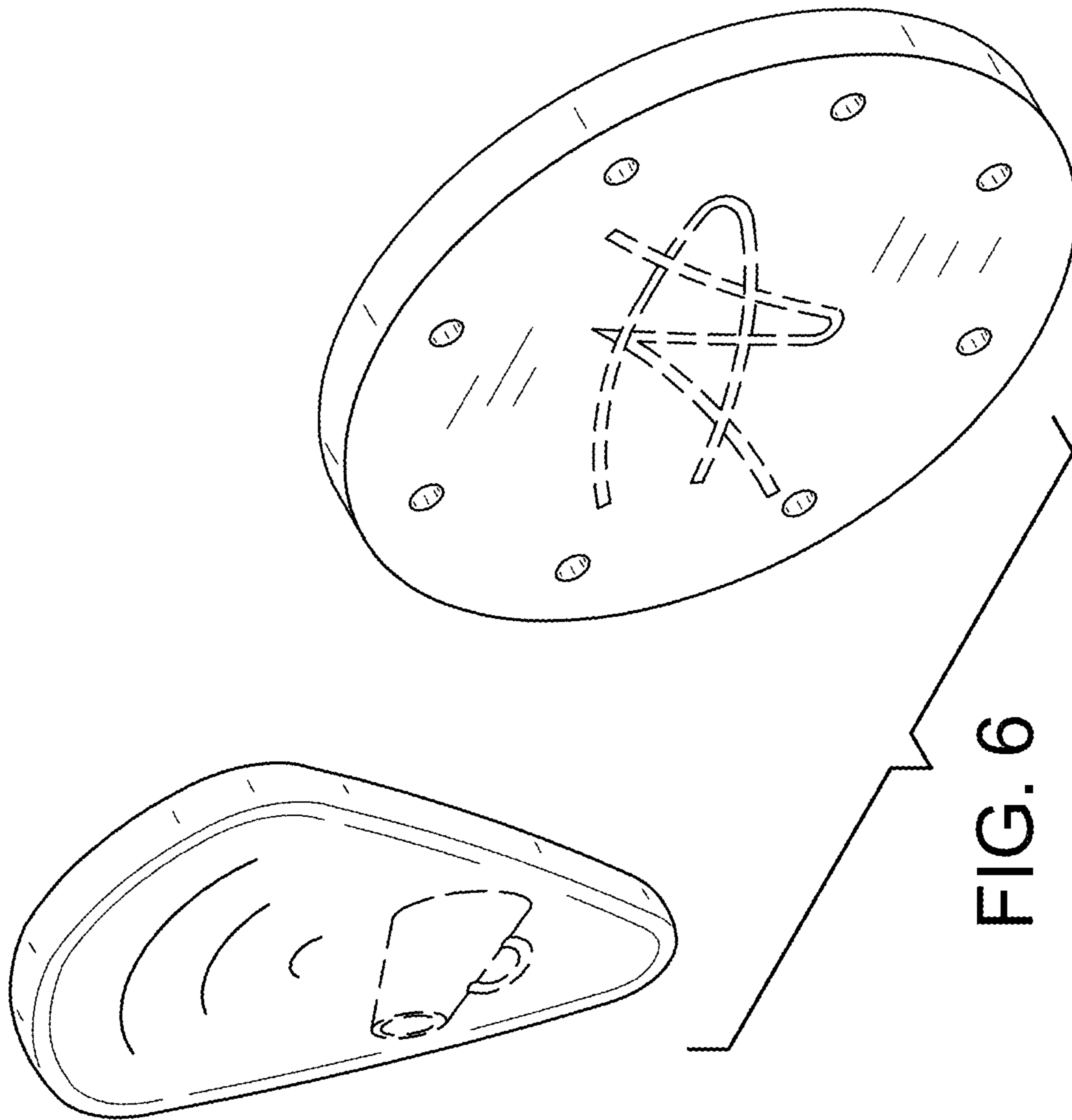


FIG. 7

