



US00D765050S

(12) **United States Design Patent**
Wen

(10) **Patent No.:** **US D765,050 S**

(45) **Date of Patent:** **** Aug. 30, 2016**

(54) **PART OF ROOF-MOUNTED MEDIA PLAYER WITH A SLIDING RAIL**

(56) **References Cited**

(71) Applicant: **JET OPTOELECTRONICS CO., LTD.**, Taipei (TW)

(72) Inventor: **Michael Tai-Hao Wen**, Taipei (TW)

(73) Assignee: **JET OPTOELECTRONICS CO., LTD.**, Taipei (TW)

(**) Term: **14 Years**

(21) Appl. No.: **29/524,950**

(22) Filed: **Apr. 24, 2015**

(30) **Foreign Application Priority Data**

Apr. 8, 2015 (TW) 104301814

(51) **LOC (10) Cl.** **14-03**

(52) **U.S. Cl.**
USPC **D14/132**

(58) **Field of Classification Search**
USPC D14/125-134, 239, 371, 136, 374-377, D14/440, 450, 448, 336, 342, 159; 312/7.2; 348/836, 838, 180, 184, 325, 739; 248/917-924, 465; 345/104, 133, 156, 345/168, 87, 173; D21/329, 515, 577, 622, D21/333, 433, 448, 452, 450, 331, 505; D10/15, 26; 446/484, 175, 356; D6/477, 479, 300; D20/10, 19, 39
CPC . G06F 1/1601; G06F 1/1643; H05K 5/0004; H05K 5/0017; H05K 5/02; H05K 5/0217; H04N 13/0459

See application file for complete search history.

U.S. PATENT DOCUMENTS

D467,234 S *	12/2002	Scribner	D14/132
D485,812 S *	1/2004	Park	D14/132
D508,900 S *	8/2005	Kawano	D14/132
D535,269 S *	1/2007	Vitito	D14/132
D539,768 S *	4/2007	Vitito	D14/132
7,379,125 B2 *	5/2008	Chang	B60R 11/0235 296/37.7
D571,754 S *	6/2008	Cho	D14/129

* cited by examiner

Primary Examiner — Raphael Barkai

(74) *Attorney, Agent, or Firm* — Li & Cai Intellectual Property (USA) Office

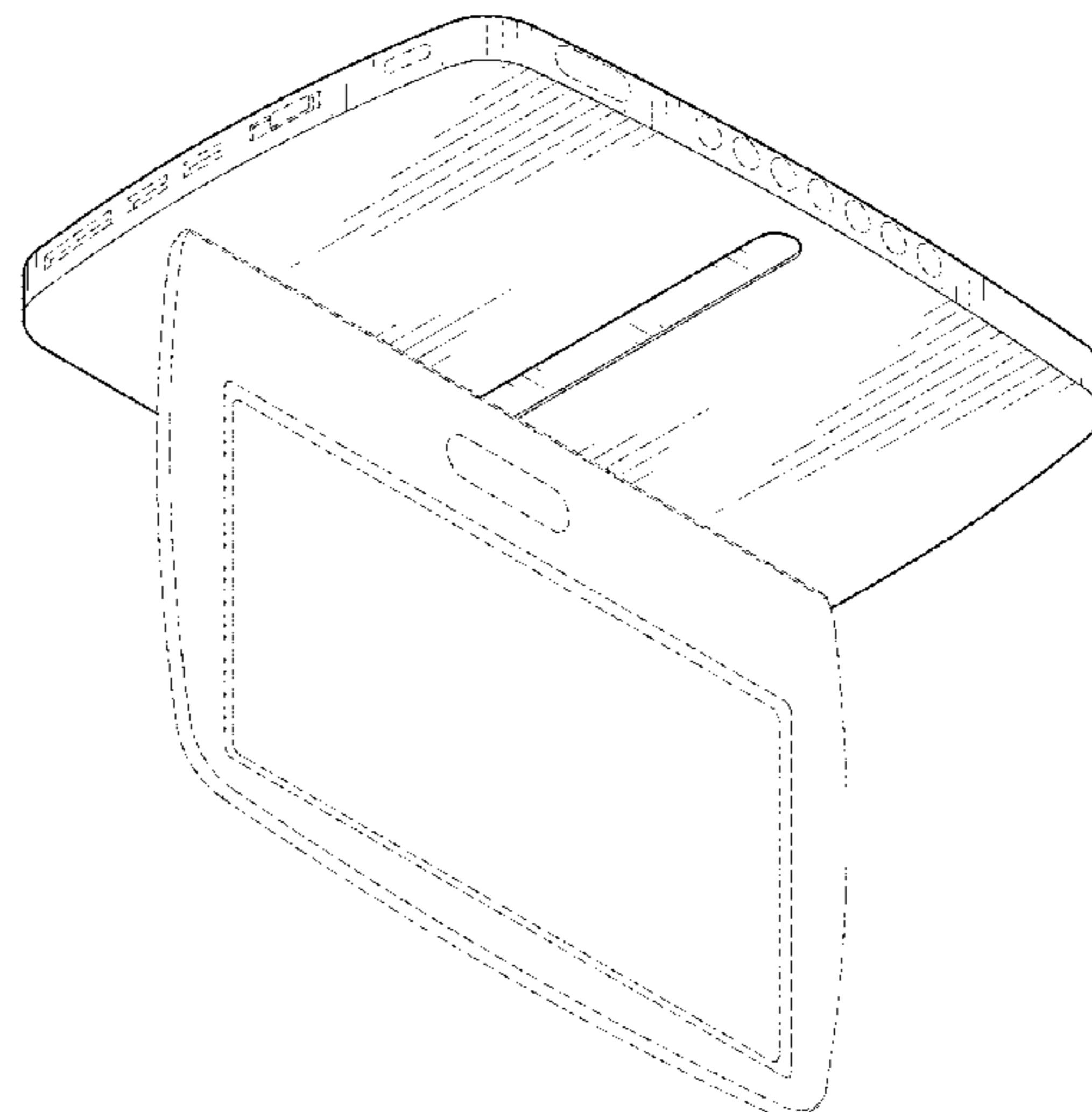
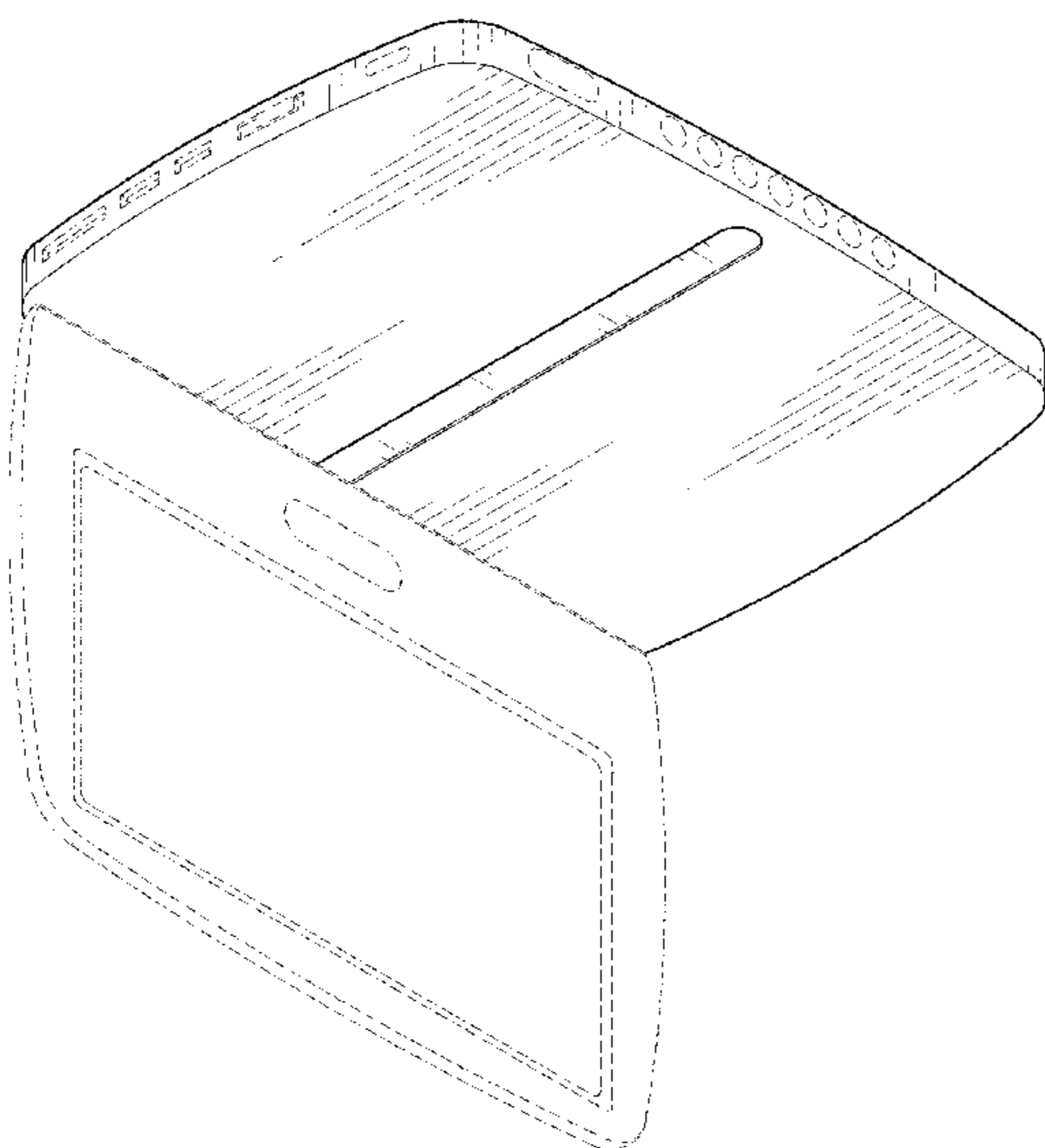
(57) **CLAIM**

The ornamental design for a “part of roof-mounted media player with a sliding rail,” as shown and described.

DESCRIPTION

FIG. 1 is a perspective view of a part of roof-mounted media player with a sliding rail showing our new design;
FIG. 2 is a front view thereof;
FIG. 3 is a rear view thereof;
FIG. 4 is a left side view thereof;
FIG. 5 is a right side view thereof;
FIG. 6 is a top view thereof;
FIG. 7 is a bottom view thereof;
FIG. 8 is a perspective view in a usage condition thereof; and,
FIG. 9 is a perspective view with the screen folded thereof. The broken line showing of the environment is for illustrative purposes only and forms no part of the claimed design.

1 Claim, 9 Drawing Sheets



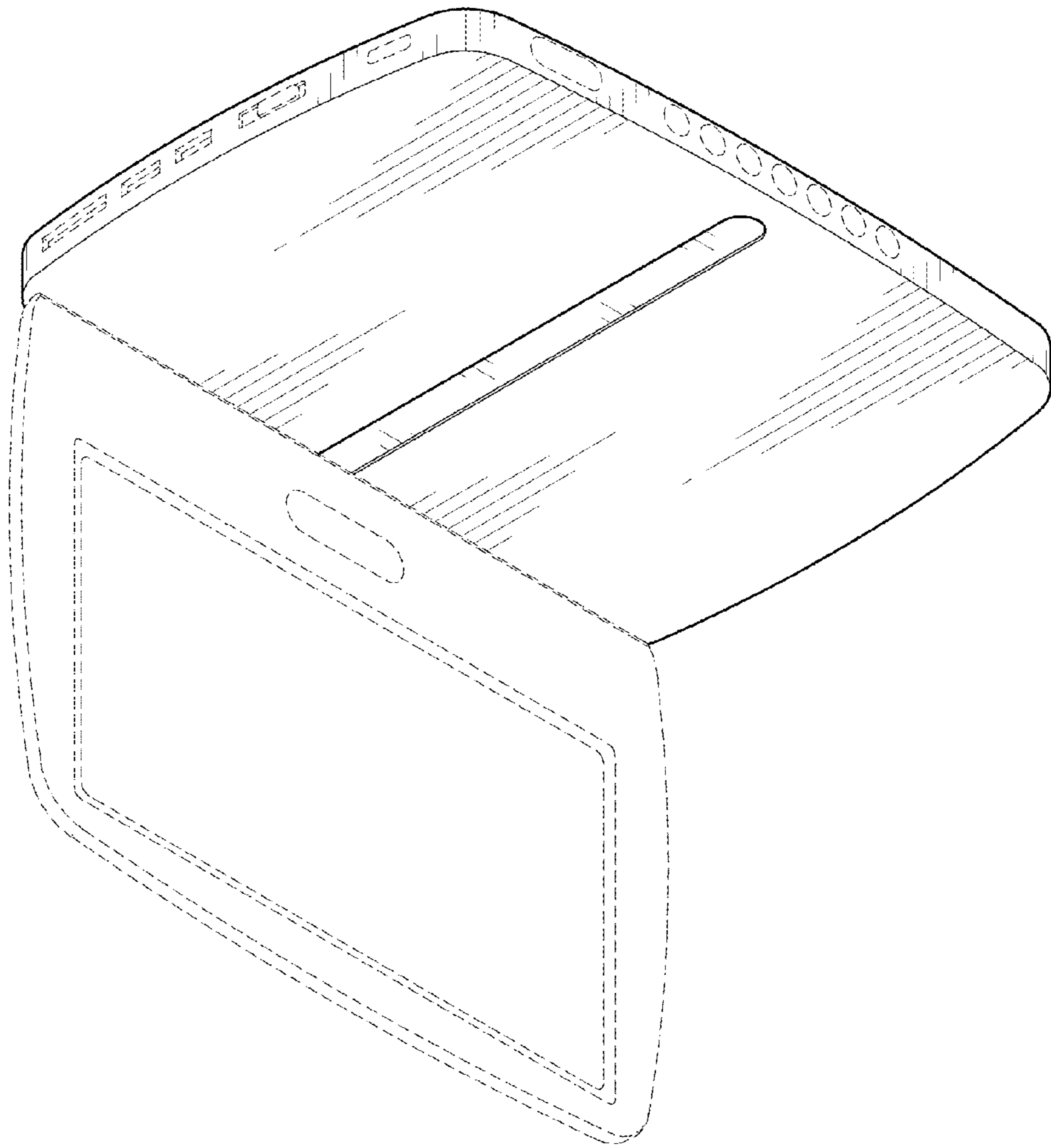


FIG.1

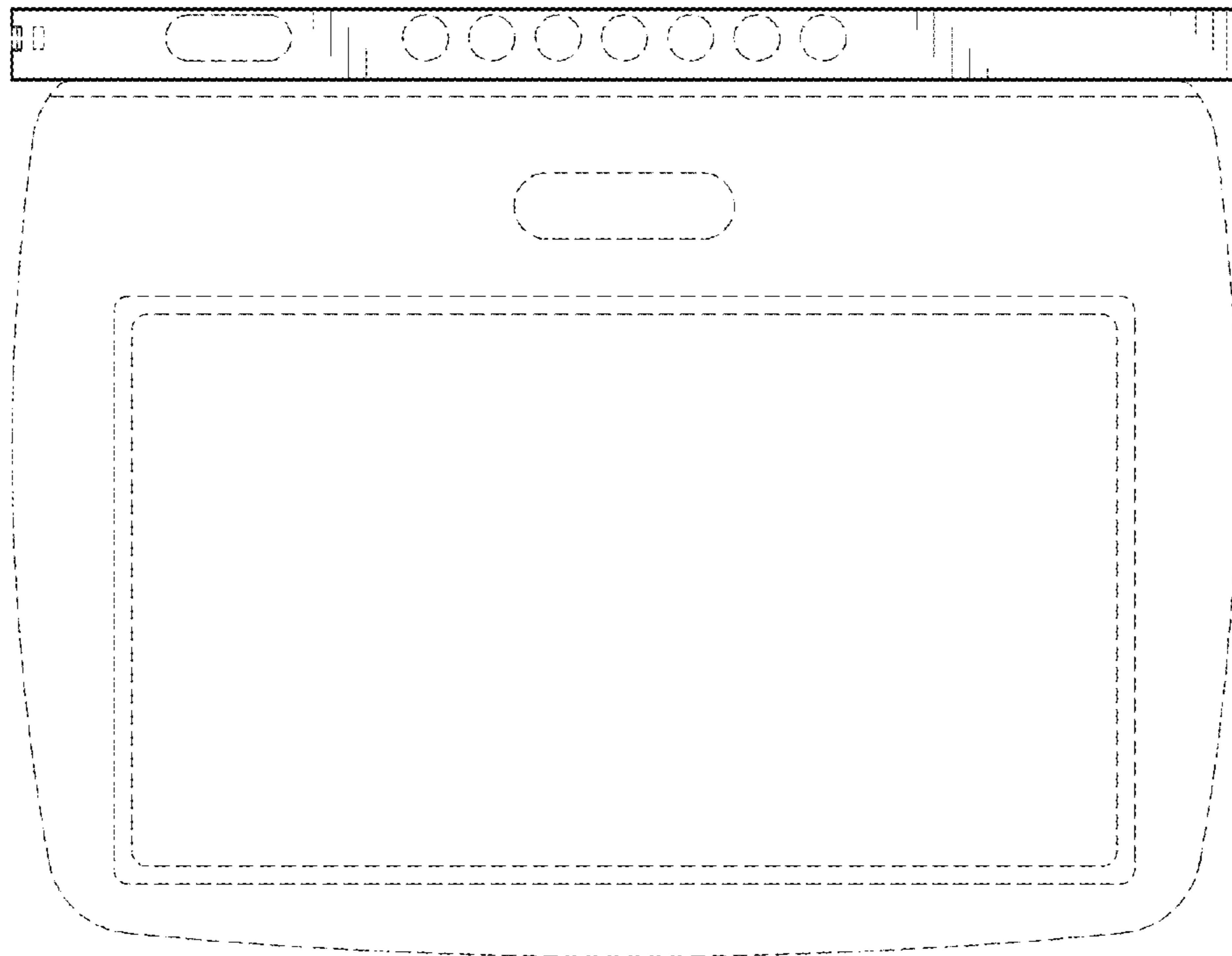


FIG.2

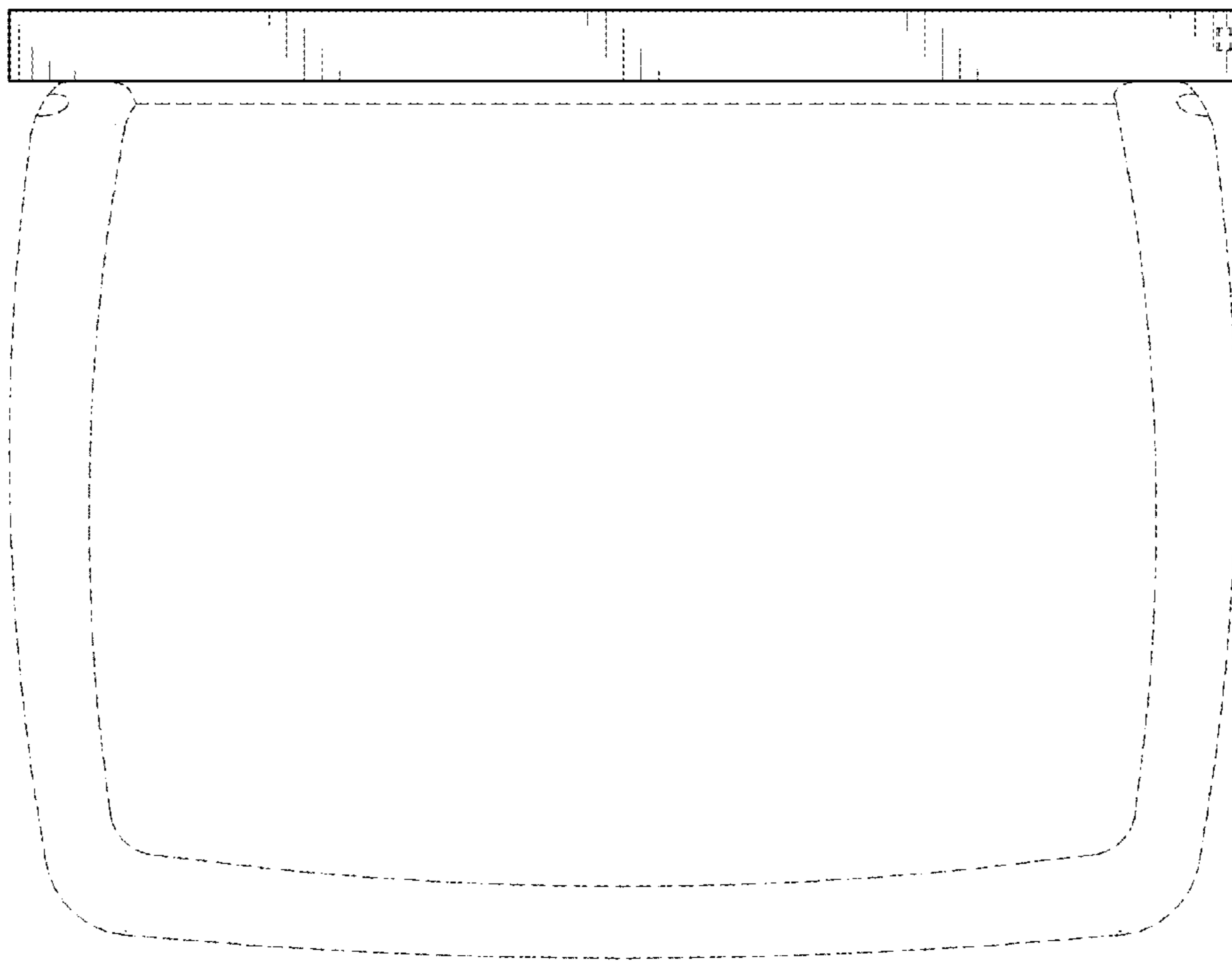


FIG.3

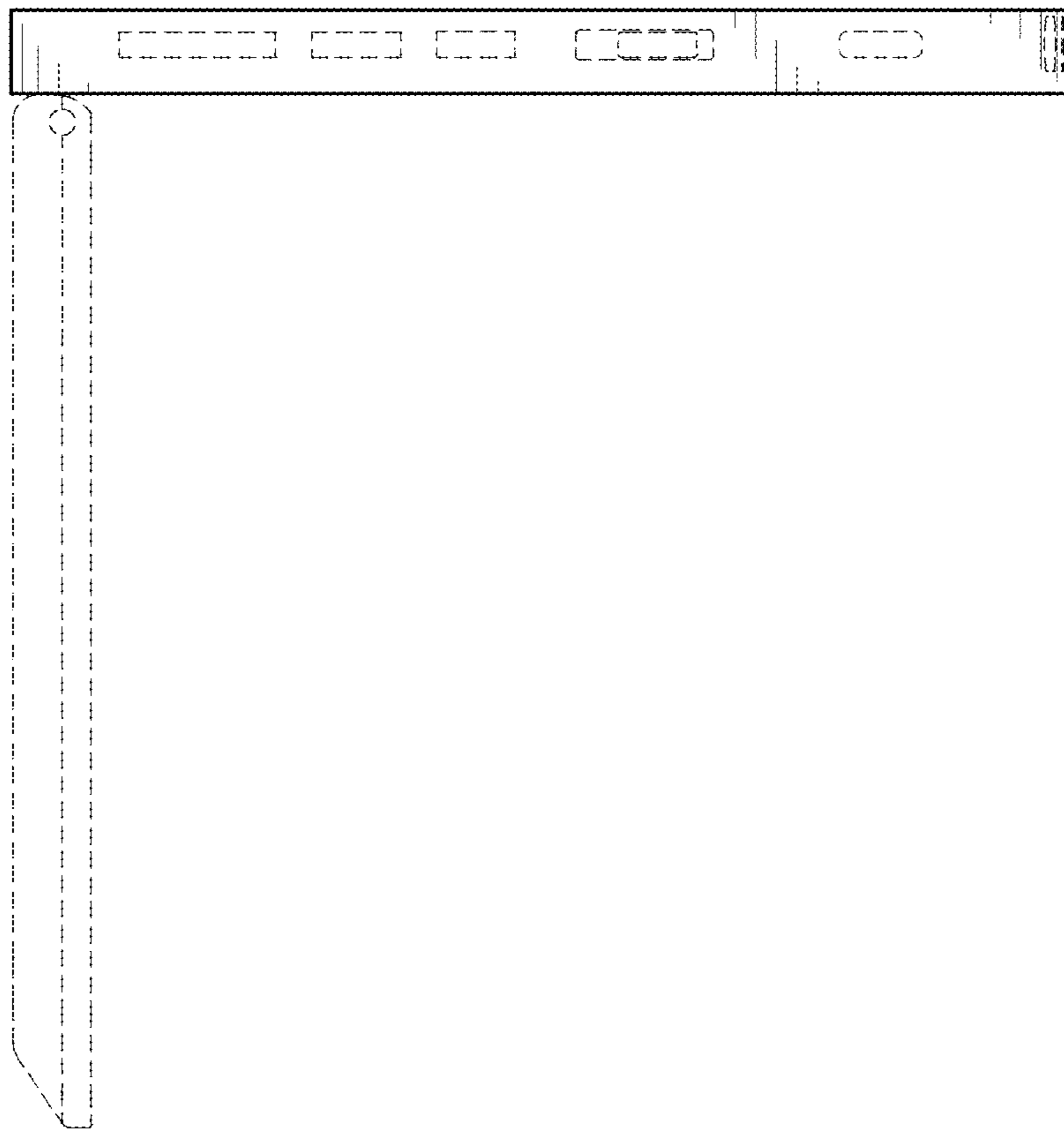


FIG.4

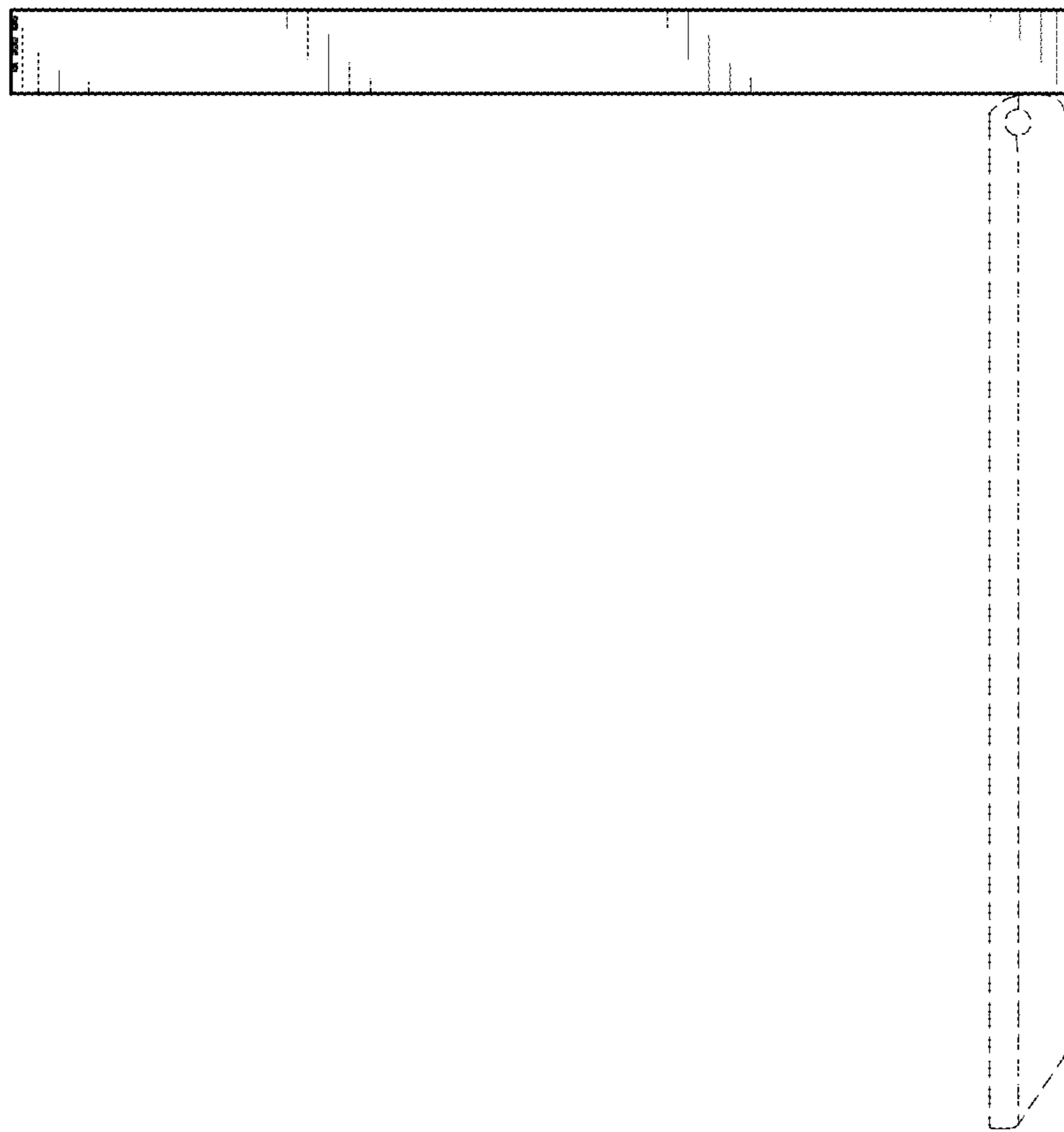


FIG.5

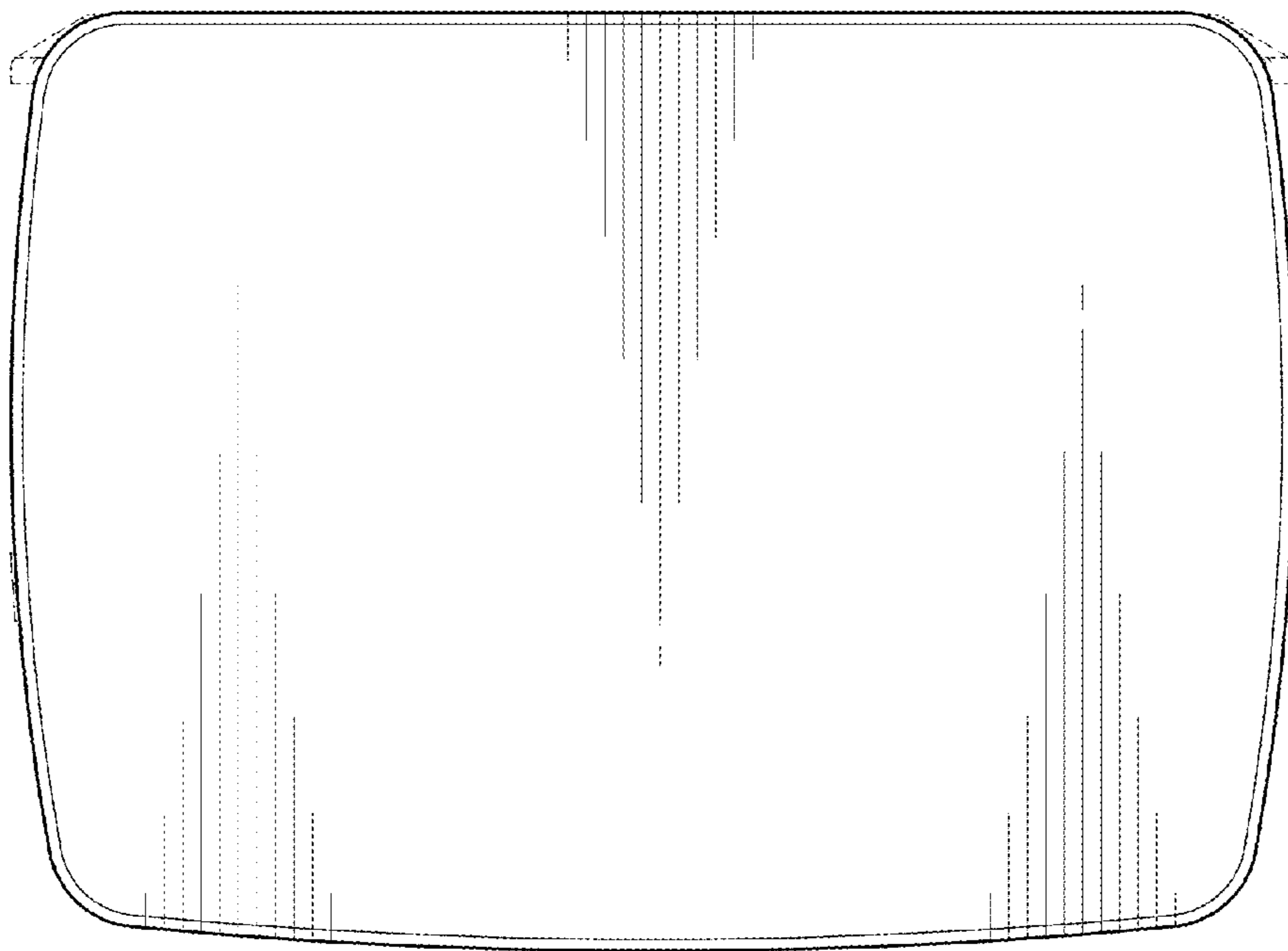


FIG.6

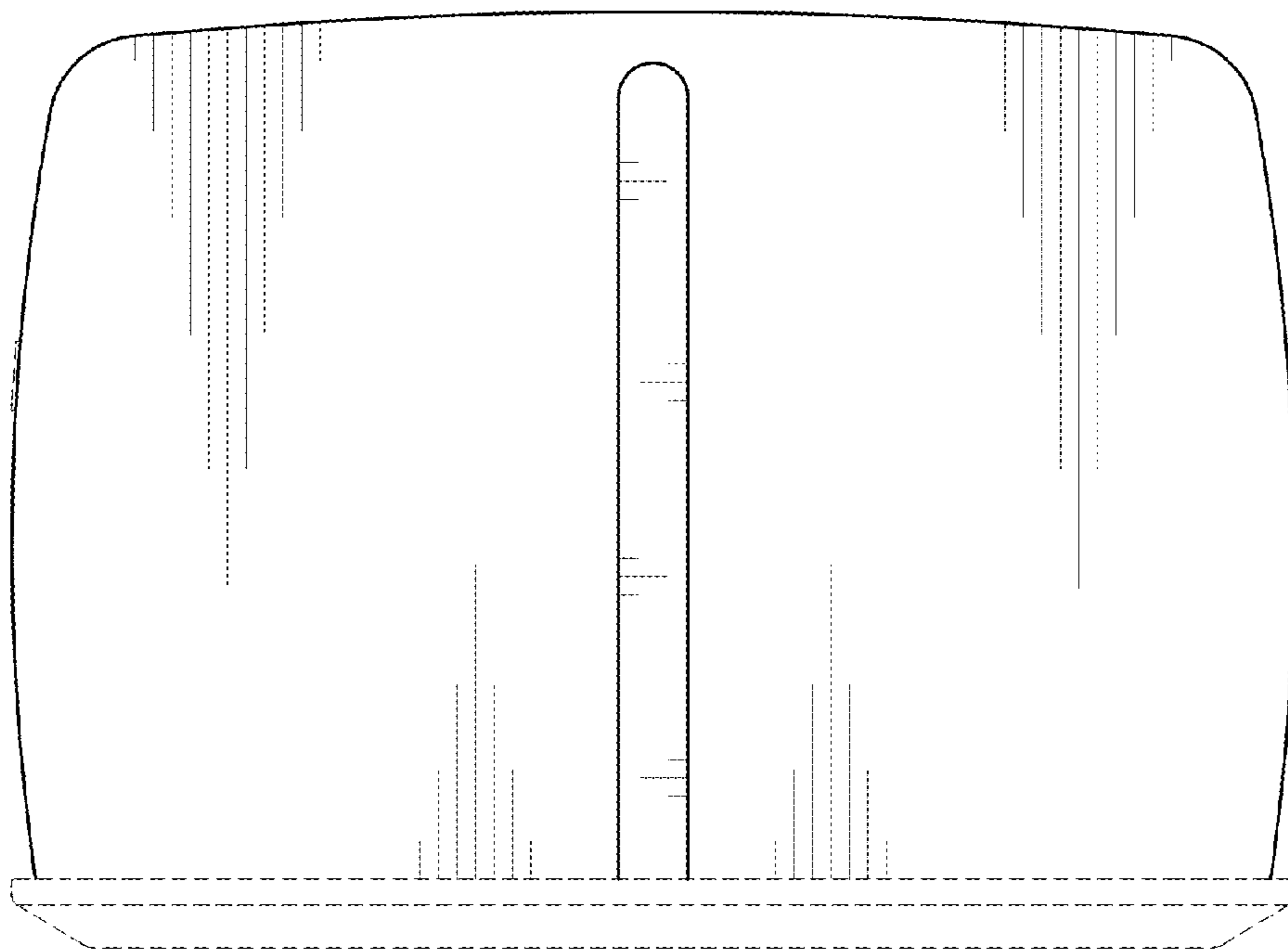


FIG. 7

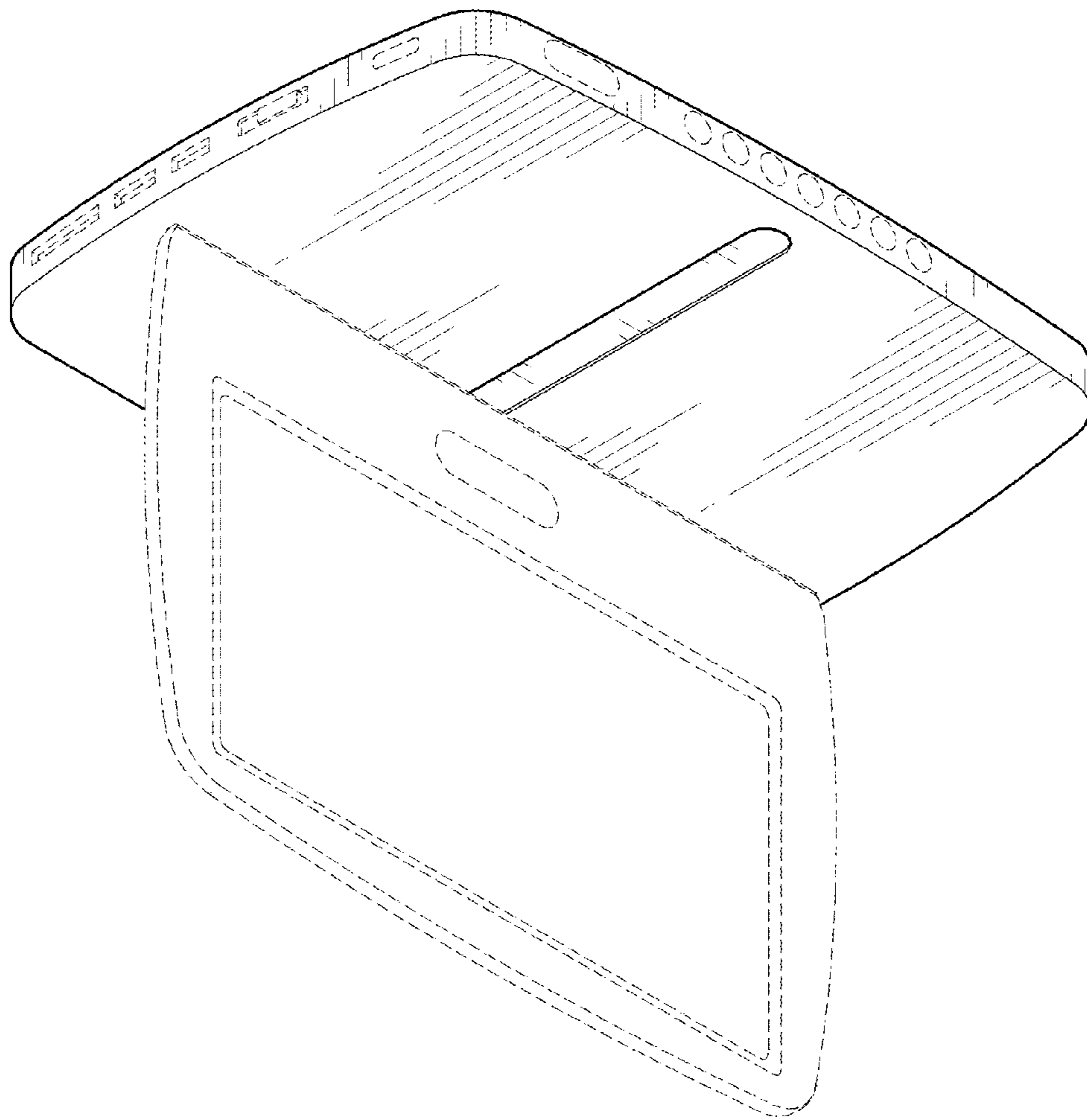


FIG.8

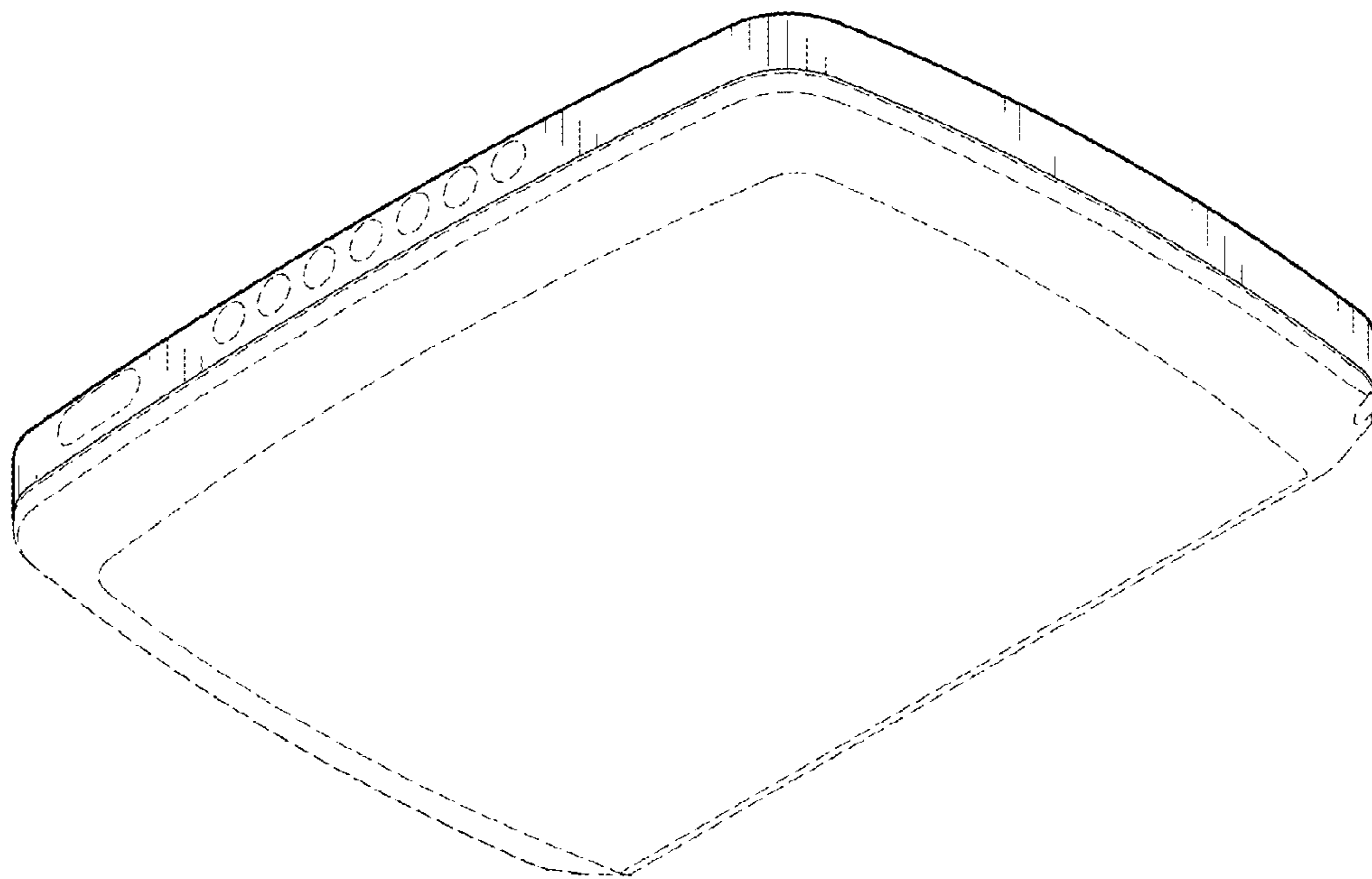


FIG.9