

US00D765048S

(12) **United States Design Patent**
Kim et al.

(10) **Patent No.:** **US D765,048 S**

(45) **Date of Patent:** **** Aug. 30, 2016**

(54) **DIGITAL INFORMATION DISPLAY DEVICE**

(56) **References Cited**

(71) Applicant: **Samsung Electronics Co., Ltd.**,
Suwon-si (KR)

U.S. PATENT DOCUMENTS

(72) Inventors: **Taeyoun Kim**, Yongin-si (KR); **Euiju Lee**, Guri-si (KR); **Jungsoo Na**,
Suwon-si (KR); **Sangho Park**, Seoul
(KR)

| | | | | | | |
|--------------|----|---|---------|------------|-------|----------------------|
| D390,219 | S | * | 2/1998 | Rosen | | D14/132 |
| D399,503 | S | * | 10/1998 | Rosen | | D14/132 |
| D434,400 | S | * | 11/2000 | Rosen | | D14/132 |
| D437,836 | S | * | 2/2001 | Rosen | | D14/132 |
| D437,837 | S | * | 2/2001 | Harrison | | D14/132 |
| D438,850 | S | * | 3/2001 | Rosen | | D14/132 |
| 2005/0062238 | A1 | * | 3/2005 | Broadfield | | A61G 12/001 280/1 |

(73) Assignee: **SAMSUNG ELECTRONICS CO., LTD.**, Suwon-Si, Gyeonggi-Do (KR)

FOREIGN PATENT DOCUMENTS

(**) Term: **15 Years**

| | | |
|----|----------------|---------|
| EM | 000451299-0001 | 12/2005 |
| EM | 001158448-0006 | 8/2009 |
| KR | 30/2008-00106 | 3/2008 |

(21) Appl. No.: **29/530,078**

* cited by examiner

(22) Filed: **Jun. 12, 2015**

Primary Examiner — Raphael Barkai

(30) **Foreign Application Priority Data**

(74) *Attorney, Agent, or Firm* — Ladas & Parry LLP

Dec. 15, 2014 (KR) 30-2014-0061089

(51) **LOC (10) Cl.** **14-03**

(57) **CLAIM**

We claim the ornamental design for a digital information display device, as shown and described.

(52) **U.S. Cl.**

USPC **D14/126**

DESCRIPTION

(58) **Field of Classification Search**

USPC D14/125–134, 239, 371, 136, 374–377,
D14/440, 450, 448, 336, 342, 159; 312/7.2;
348/836, 838, 180, 184, 325, 739;
248/917–924, 465; 345/104, 133, 156,
345/168, 87, 173; D21/329, 515, 577, 622,
D21/333, 433, 448, 452, 450, 331, 505;
D10/15, 26; 446/484, 175, 356;
D6/477, 479, 300; D20/10, 19, 39
CPC ... G06F 1/1601; G06F 1/1643; H05K 5/0004;
H05K 5/0017; H05K 5/02; H05K 5/0217;
H04N 13/0459

FIG. 1 is a front perspective view of a digital information display device showing our new design;
FIG. 2 is a front elevation view thereof;
FIG. 3 is a rear elevation view thereof;
FIG. 4 is a left side elevation view thereof;
FIG. 5 is a right side elevation view thereof;
FIG. 6 is a top plan view thereof; and,
FIG. 7 is a bottom plan view thereof.

The broken lines in the figures represent unclaimed portions of the digital information display device and form no part of the claimed design.

See application file for complete search history.

1 Claim, 7 Drawing Sheets

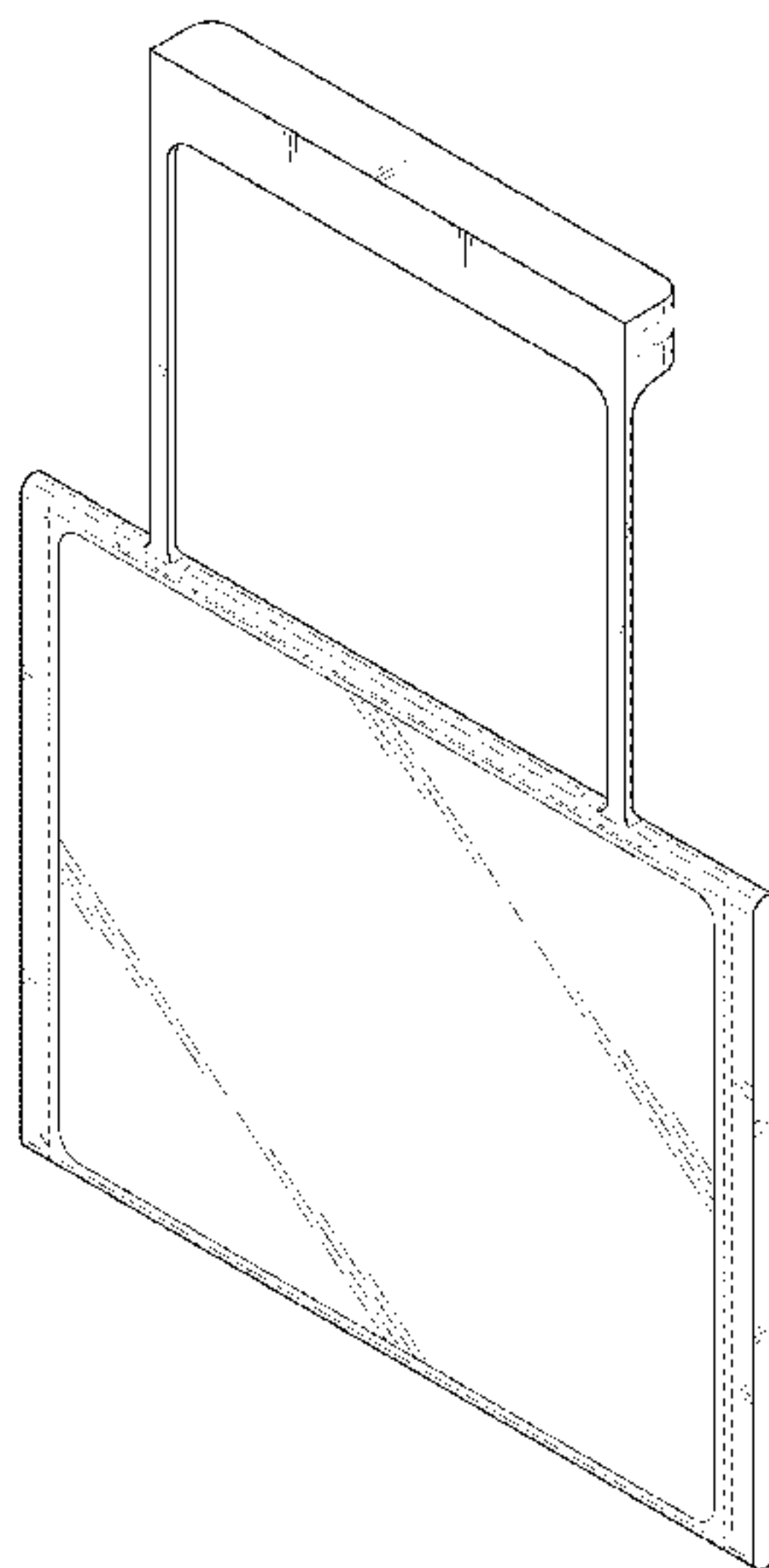


FIG. 1

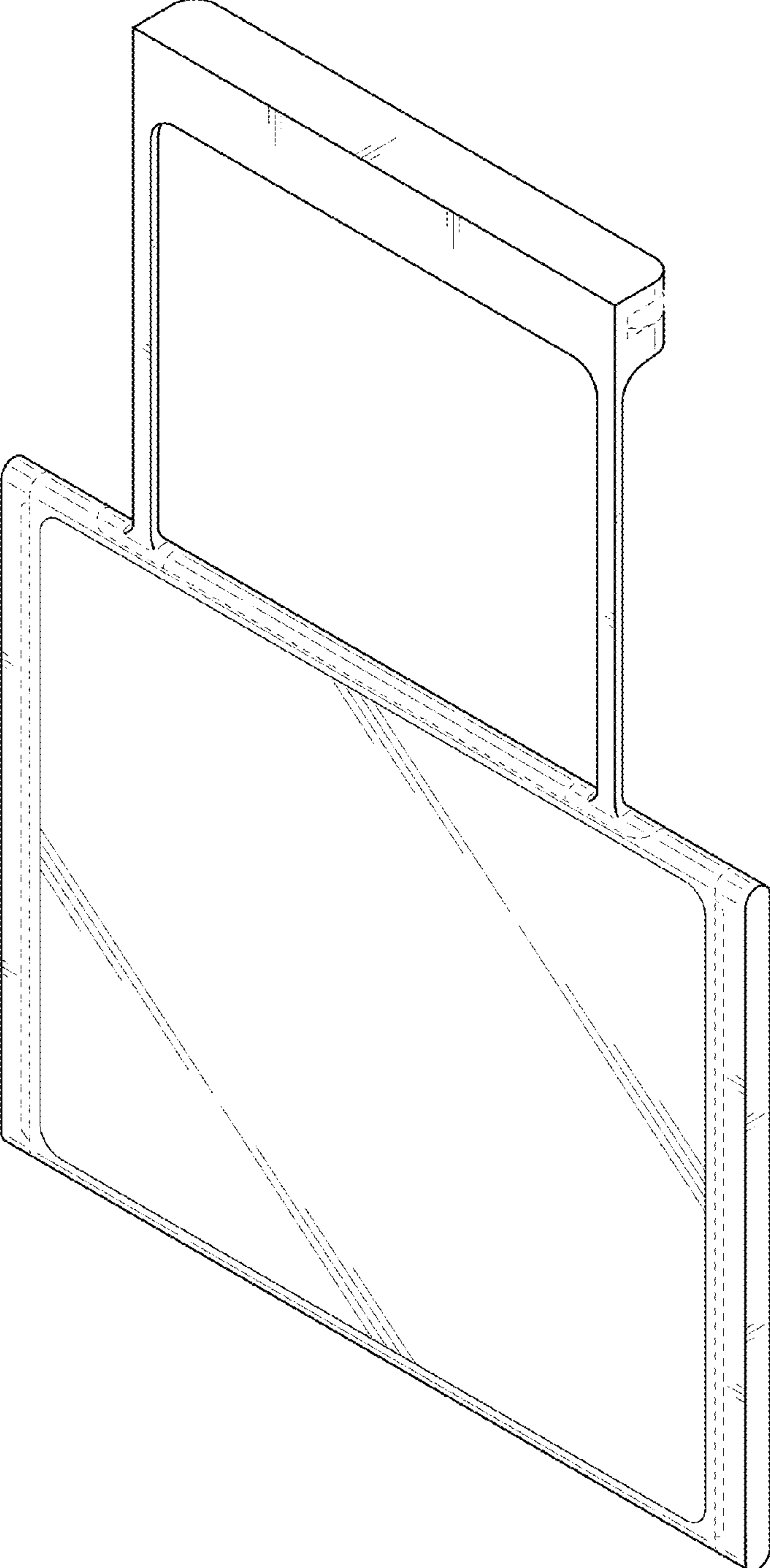


FIG. 2

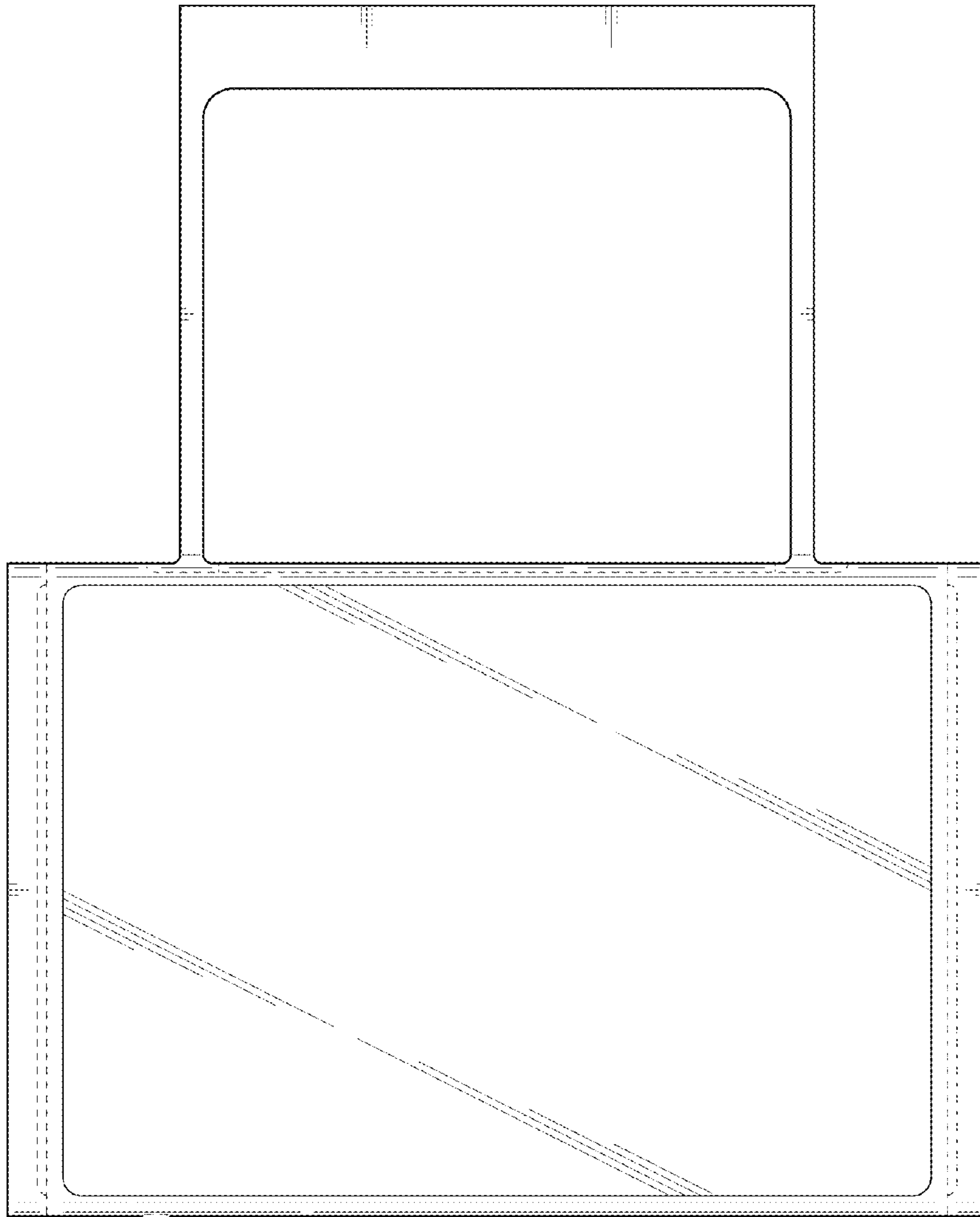


FIG. 3

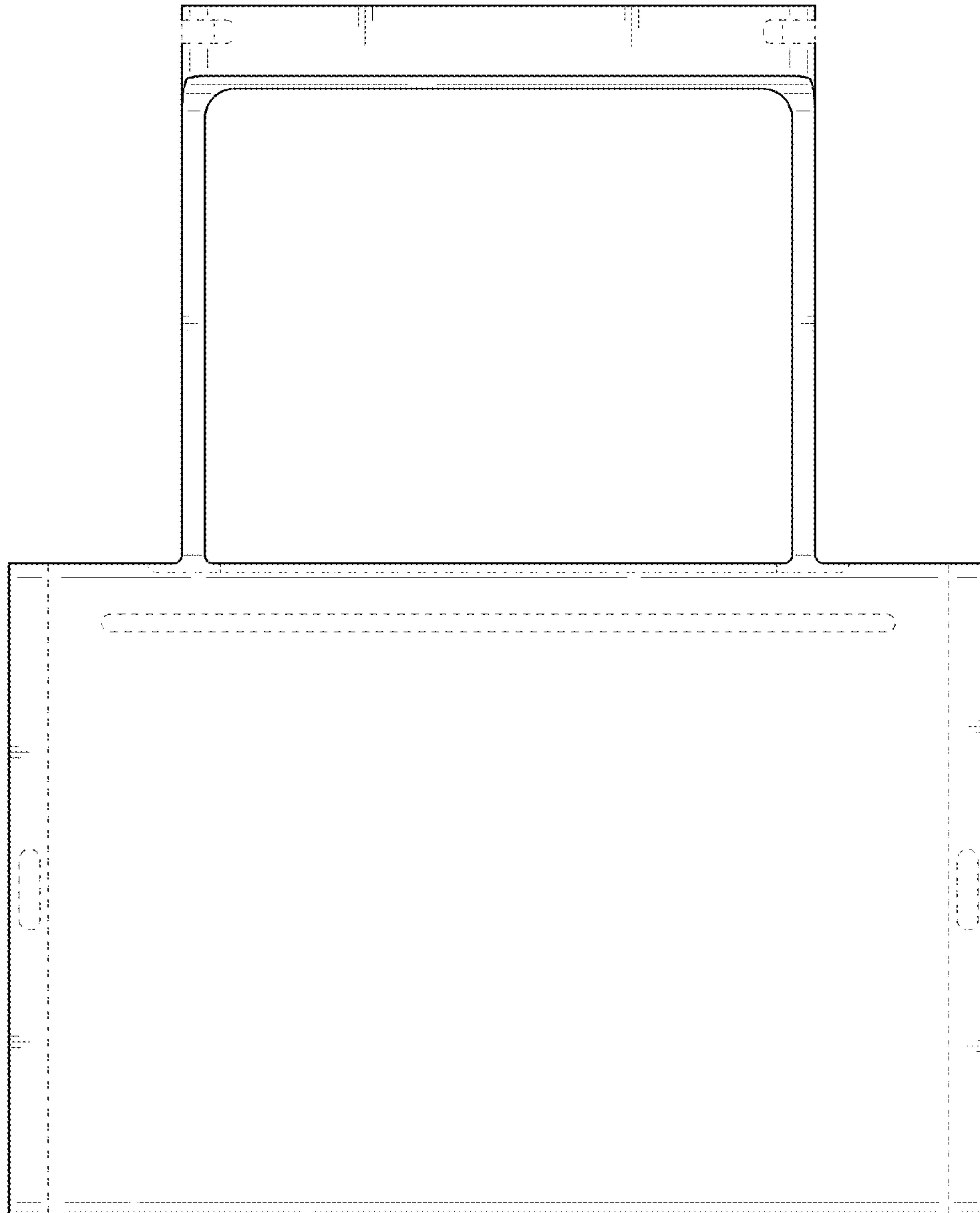


FIG. 4

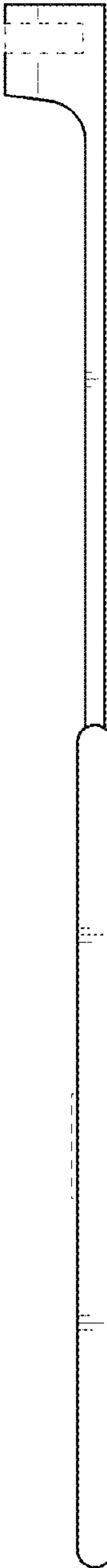


FIG. 5

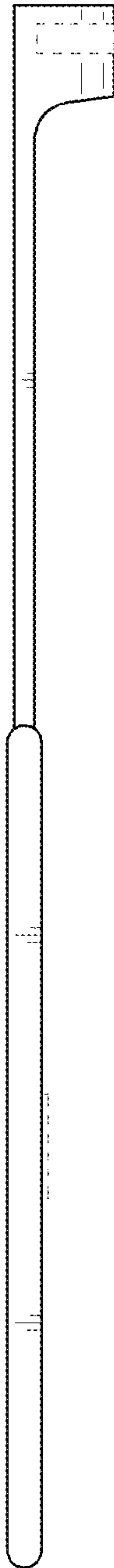


FIG. 6



FIG. 7

