



US00D765043S

(12) **United States Design Patent**
Lauter

(10) **Patent No.:** **US D765,043 S**
(45) **Date of Patent:** **** Aug. 30, 2016**

(54) **KEYLESS REMOTE FOR MOTOR VEHICLE**

(71) Applicant: **Dr. Ing. h.c. F. Porsche**
Aktiengesellschaft, Stuttgart (DE)

(72) Inventor: **Katharina Lauter, Remseck-Pattonville**
(DE)

(73) Assignee: **Dr. Ing. h.c. F. Porsche**
Aktiengesellschaft, Stuttgart (DE)

(**) Term: **14 Years**

(21) Appl. No.: **29/502,062**

(22) Filed: **Sep. 11, 2014**

(30) **Foreign Application Priority Data**

Mar. 12, 2014 (DE) 40 2014 100 239

(51) **LOC (10) Cl.** **14-03**

(52) **U.S. Cl.**
USPC **D13/168**

(58) **Field of Classification Search**
USPC D13/168; D3/207-212; D8/347;
D14/155, 435.1
CPC ... B60R 25/209; B60R 25/24; E05B 19/0043;
E05B 19/0082; E05B 19/04; G07C 9/0039;
G07C 9/11944; G08C 17/02; H01H 9/0235
See application file for complete search history.

(56) **References Cited**

U.S. PATENT DOCUMENTS

- D390,195 S * 2/1998 Chen D13/168
- D393,996 S * 5/1998 Sacco D8/347
- D398,588 S * 9/1998 Pinardi D10/104.1
- 6,374,164 B1 * 4/2002 Eklind B60R 25/24
701/1
- D475,686 S * 6/2003 Futschik D13/168
- D507,781 S * 7/2005 To D13/168
- D560,352 S * 1/2008 Cadiz D3/208

- D583,772 S * 12/2008 To D13/168
- 7,463,134 B1 * 12/2008 Stilley A45C 11/18
340/5.61
- D622,674 S * 8/2010 Maier D13/168
- D639,547 S * 6/2011 Stefanov D13/168
- 8,087,271 B1 * 1/2012 Patton G07C 9/00944
206/305
- 8,406,000 B2 * 3/2013 Zaitz G07C 9/00944
361/752
- 2003/0231131 A1 * 12/2003 Dimig B60R 25/209
341/176
- 2007/0227866 A1 * 10/2007 Dimig E05B 19/0082
200/302.2
- 2008/0129448 A1 * 6/2008 Reichling G08C 17/02
340/5.72
- 2011/0084856 A1 * 4/2011 Kleindienst E05B 19/043
340/990
- 2014/0077931 A1 * 3/2014 Cho B60R 25/24
340/5.72

* cited by examiner

Primary Examiner — Selina Sikder

(74) *Attorney, Agent, or Firm* — RatnerPrestia

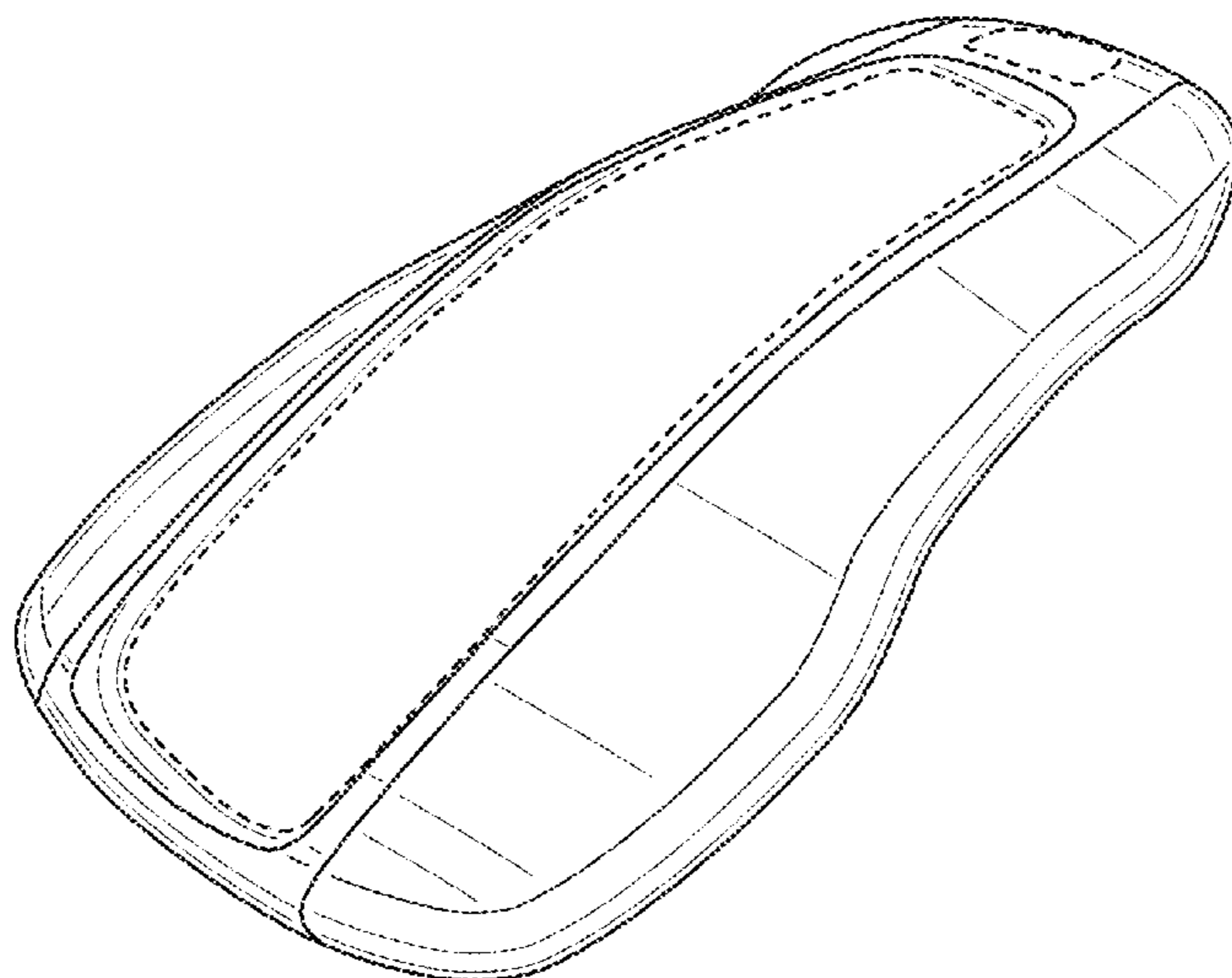
(57) **CLAIM**

The ornamental design for a keyless remote for a motor vehicle, as shown and described.

DESCRIPTION

FIG. 1 is a rear perspective view of the keyless remote for a motor vehicle;
 FIG. 2 is a front perspective view thereof;
 FIG. 3 is a front elevation view thereof;
 FIG. 4 is a rear elevation view thereof;
 FIG. 5 is an elevation view thereof from the left side;
 FIG. 6 is an elevation view thereof from the right side;
 FIG. 7 is a top plan view thereof; and,
 FIG. 8 is a bottom plan view thereof.
 The features of the keyless remote that are shown in broken lines are for illustration only and form no part of the claimed design.

1 Claim, 5 Drawing Sheets



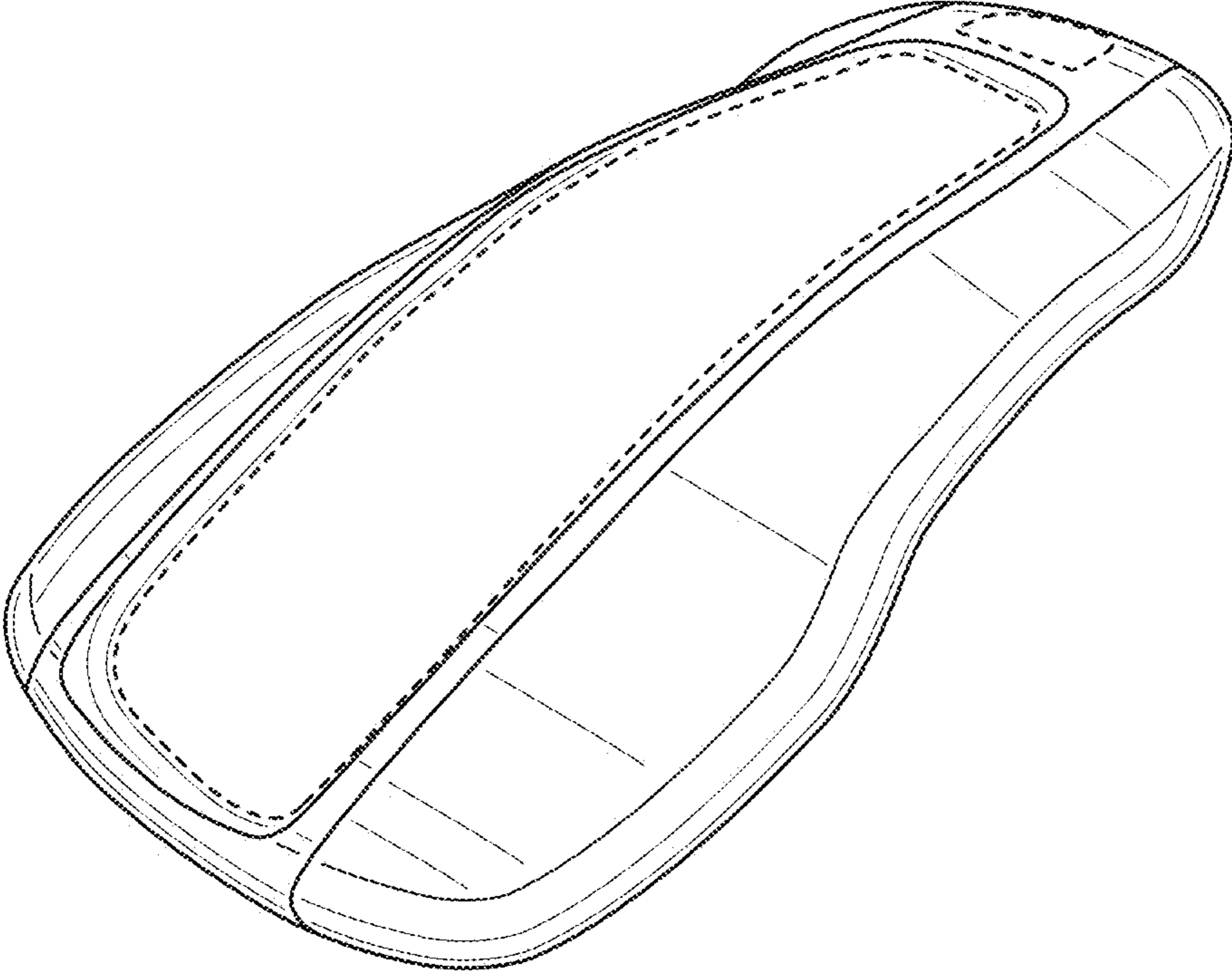


FIG. 1

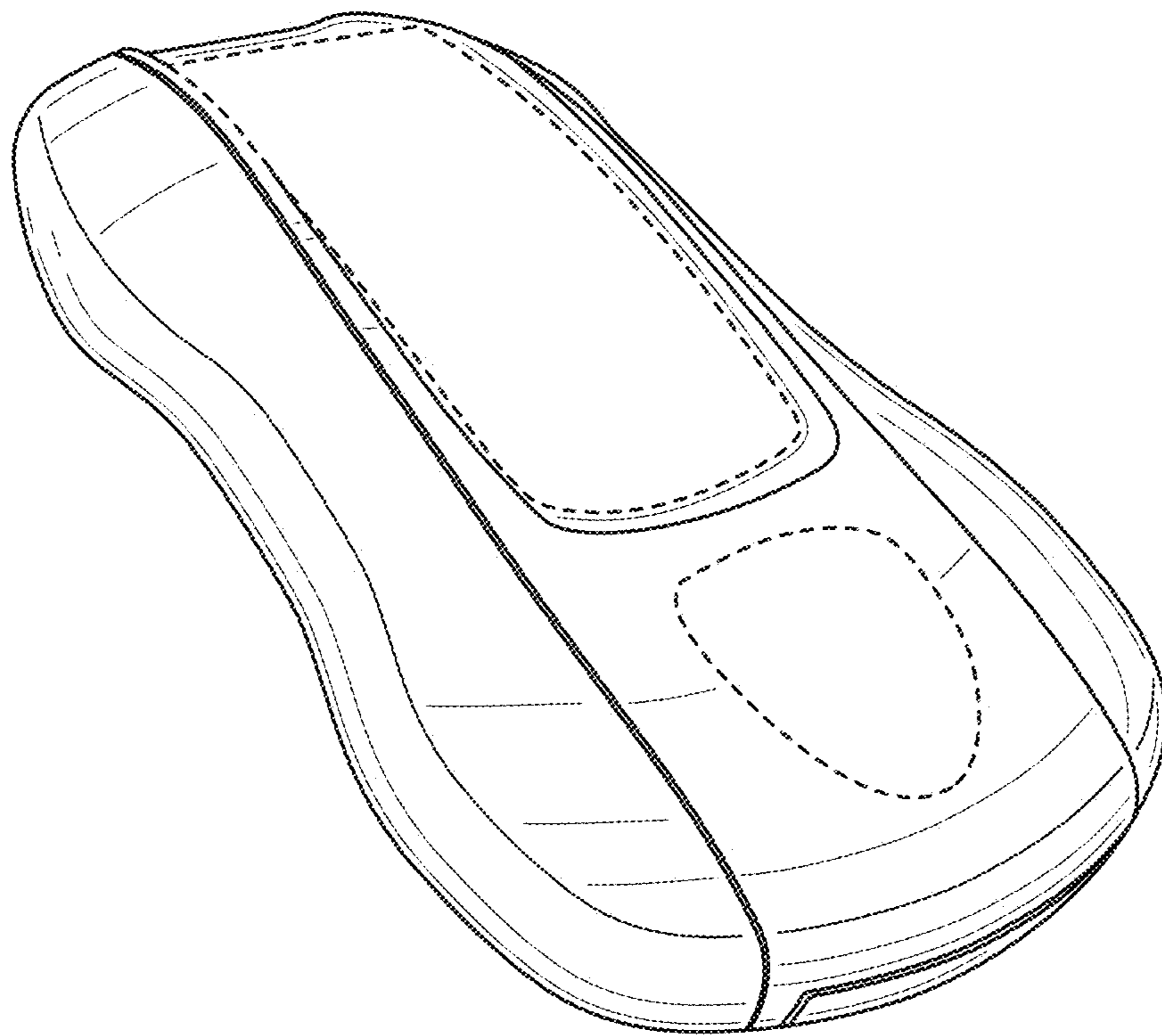


FIG. 2

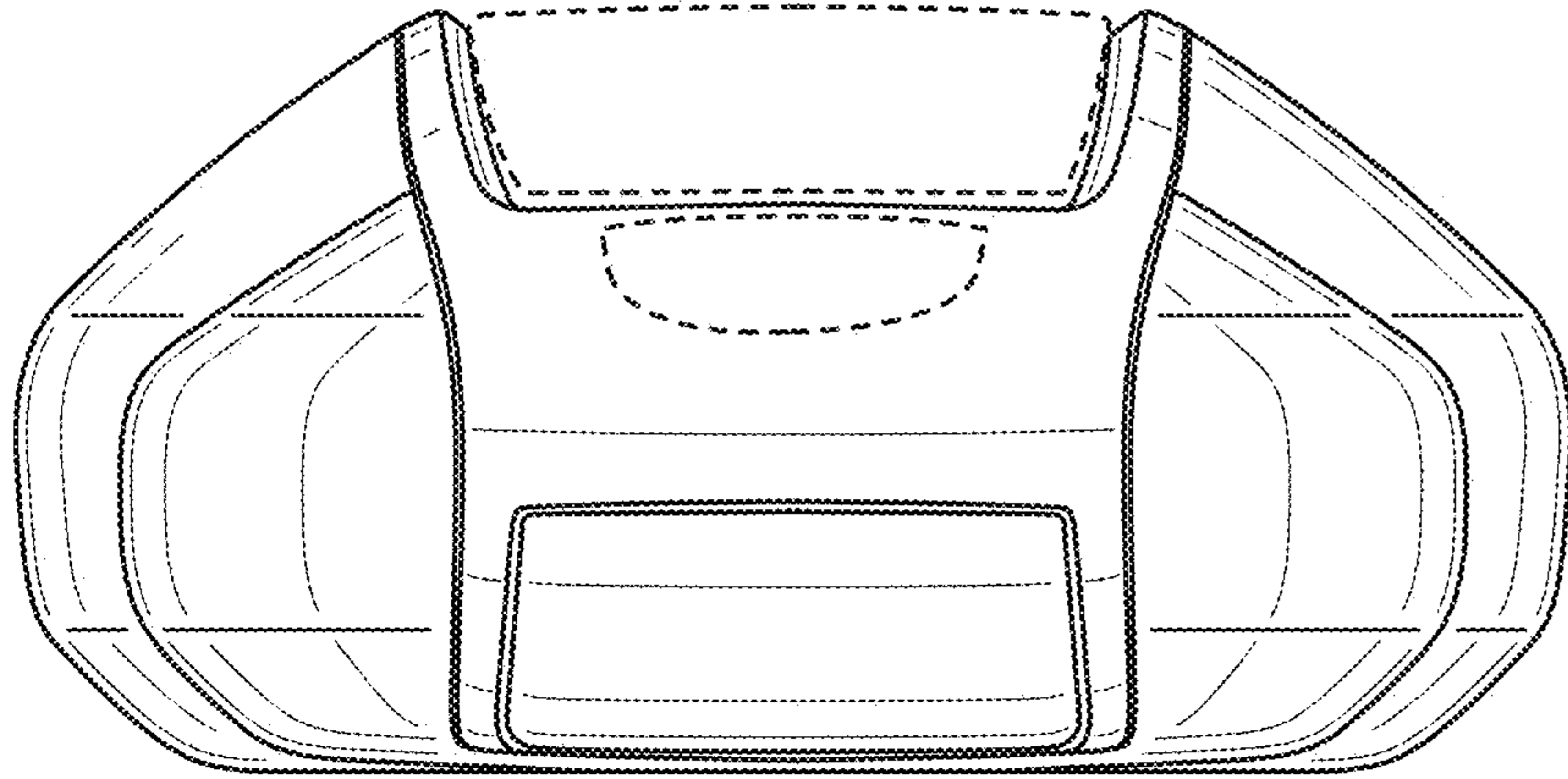


FIG. 3

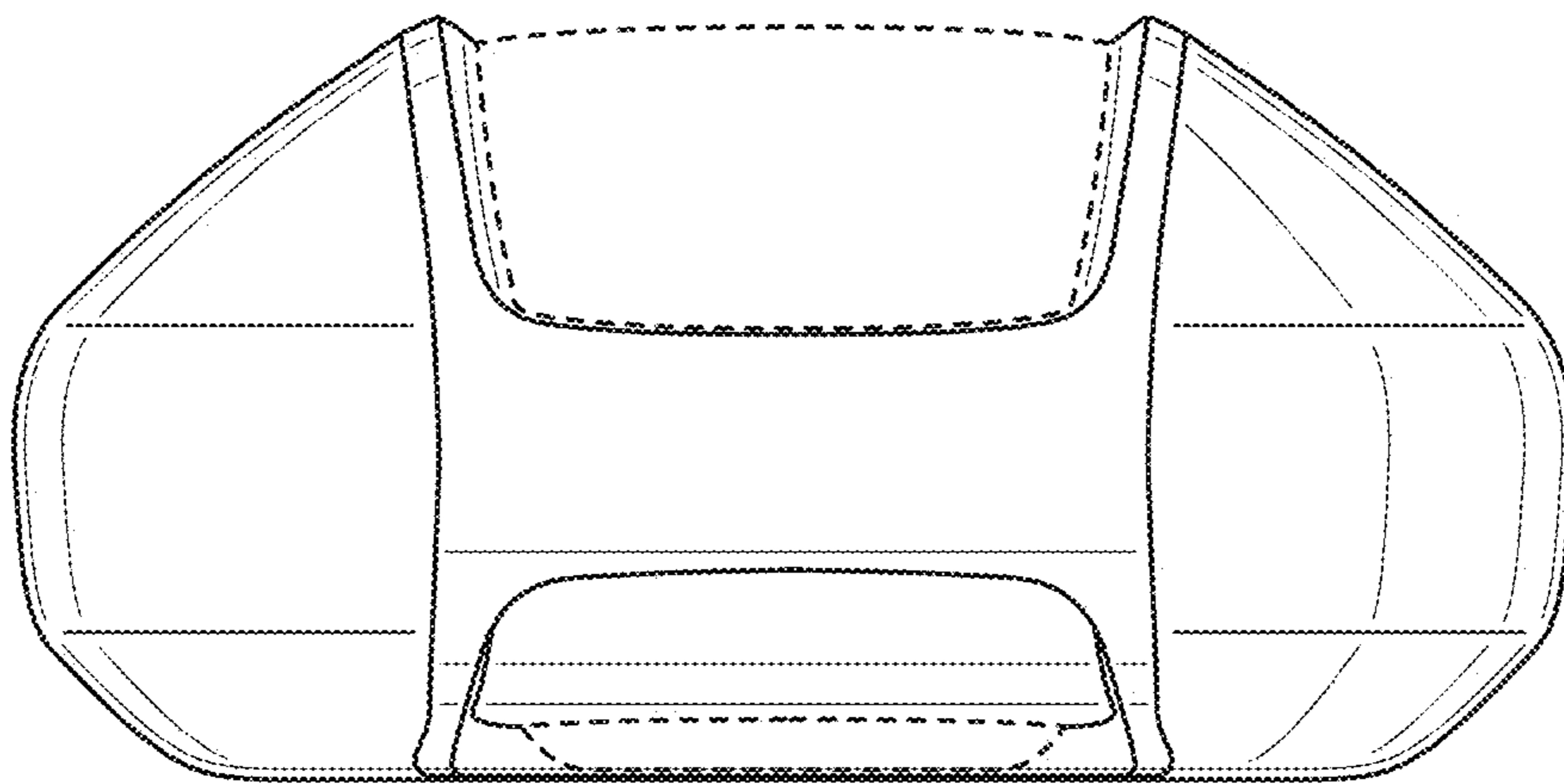


FIG. 4

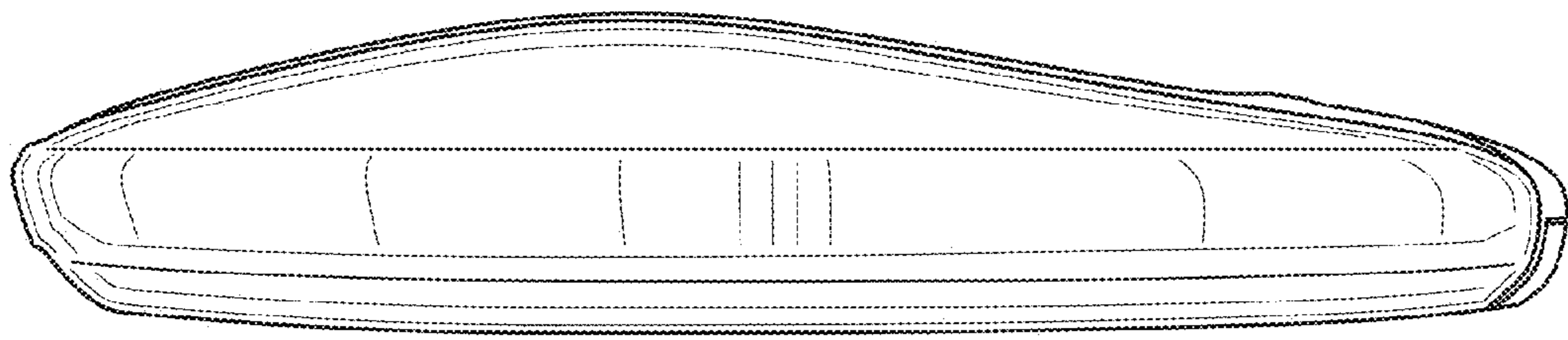


FIG. 5

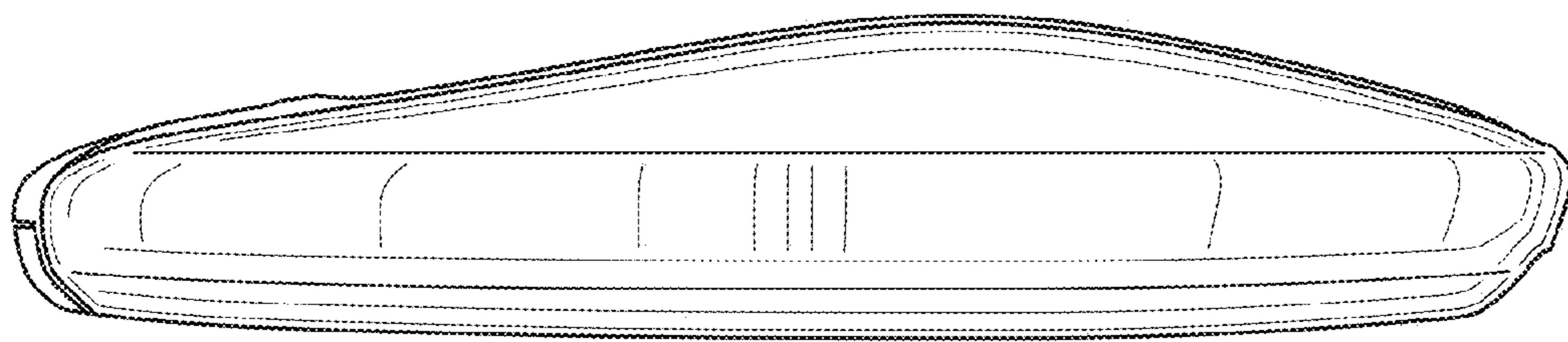


FIG. 6

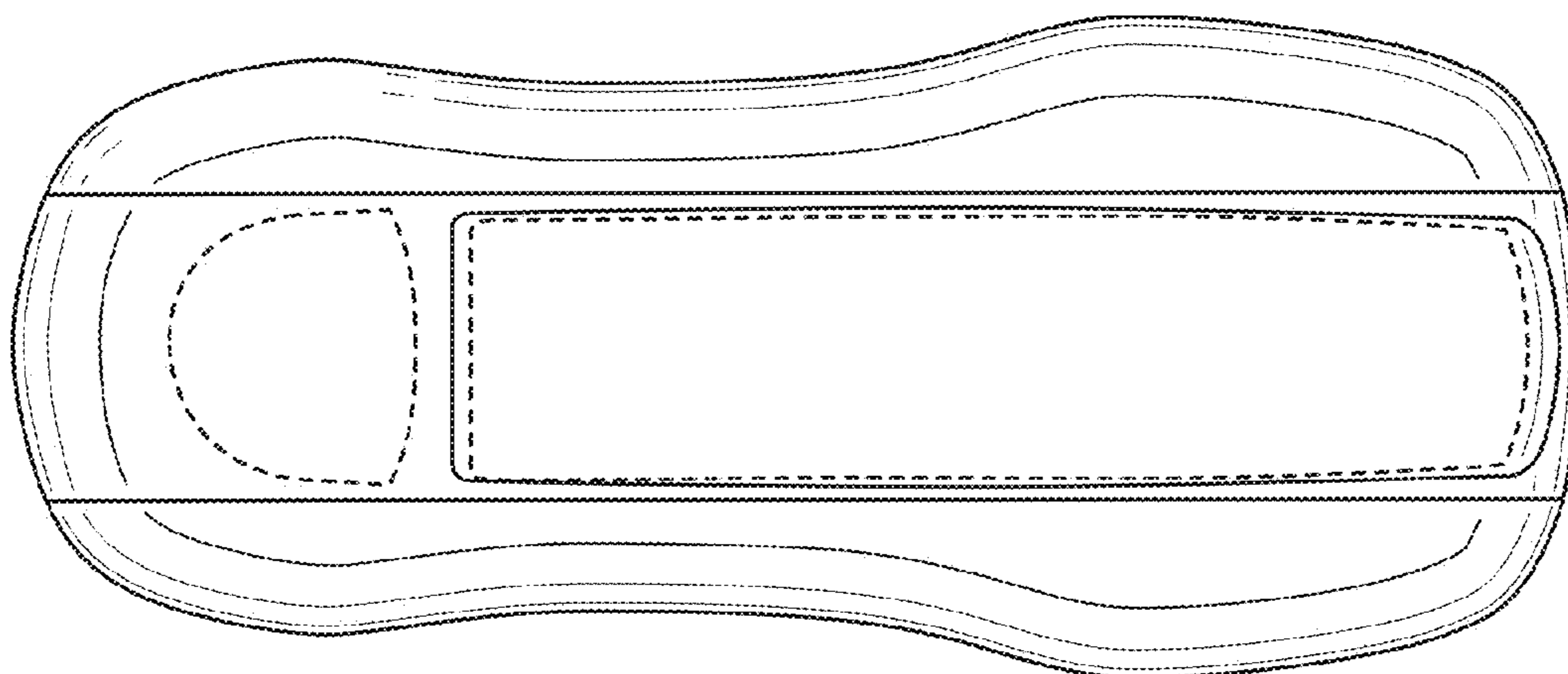


FIG. 7

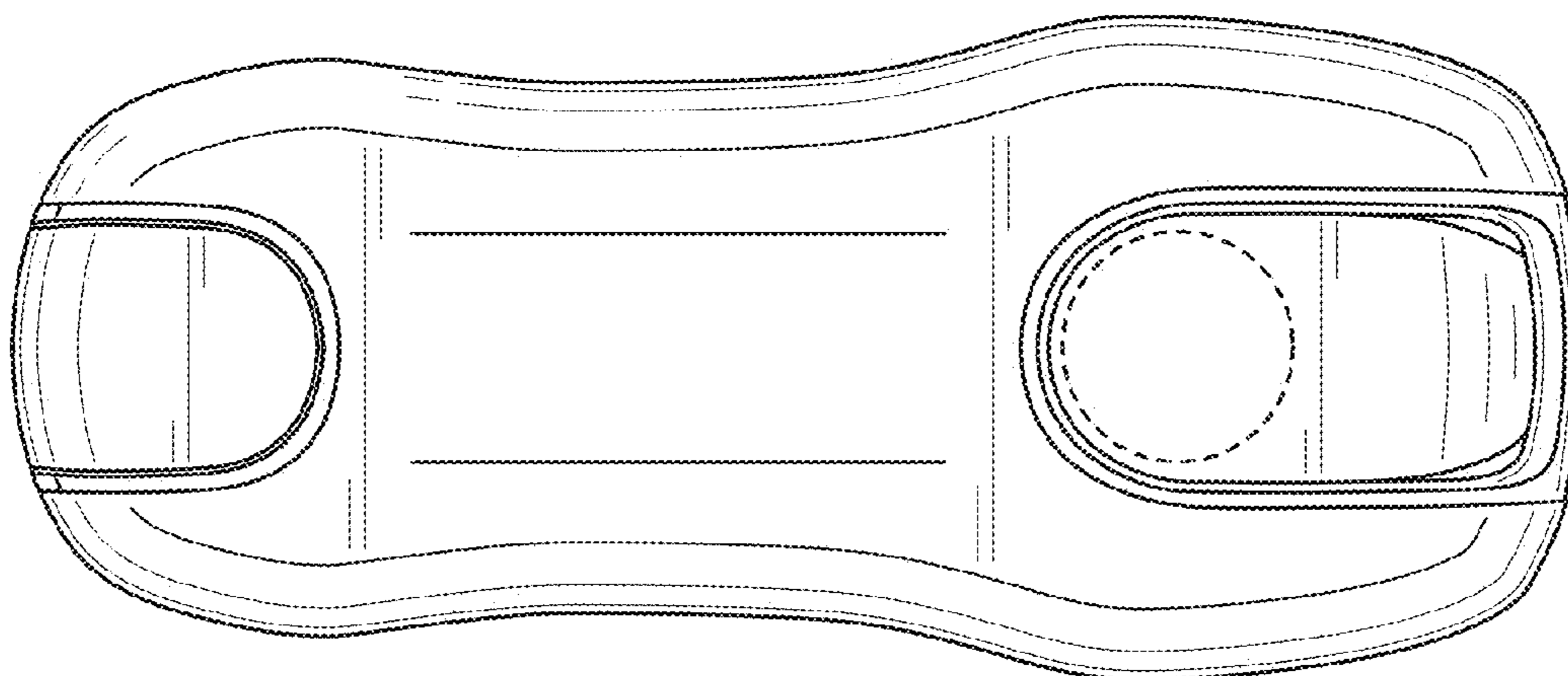


FIG. 8