



US00D765041S

(12) **United States Design Patent** (10) **Patent No.:** **US D765,041 S**
Yu et al. (45) **Date of Patent:** **** Aug. 30, 2016**

(54) **MINI IN-LINE GROUND FAULT CIRCUIT INTERRUPTER**

(71) Applicants: **Andy Yu**, Shenzhen (CN); **Levi Zhou**, Shenzhen (CN); **Chepur P. Rao**, Providence, RI (US); **Victor V. Aromin**, Providence, RI (US)

(72) Inventors: **Andy Yu**, Shenzhen (CN); **Levi Zhou**, Shenzhen (CN); **Chepur P. Rao**, Providence, RI (US); **Victor V. Aromin**, Providence, RI (US)

(73) Assignee: **TOWER MANUFACTURING CORPORATION**, Providence, RI (US)

(**) Term: **14 Years**

(21) Appl. No.: **29/501,504**

(22) Filed: **Sep. 4, 2014**

(51) **LOC (10) Cl.** **13-03**

(52) **U.S. Cl.**
USPC **D13/160**

(58) **Field of Classification Search**
USPC D13/110, 118, 123, 133, 138.1, 138.2, D13/147, 154, 158-160, 168, 173, 174, 184, D13/199

CPC H01H 5/24; H01H 13/06; H01H 4/24; H02H 3/00; H02H 9/00; H01R 13/53; H02G 15/113

See application file for complete search history.

(56) **References Cited**

U.S. PATENT DOCUMENTS

D313,971 S * 1/1991 Rosenbaum D13/160
D358,368 S * 5/1995 Howard D13/160
5,684,272 A * 11/1997 Gernhardt H01H 9/0228
174/650
D418,482 S * 1/2000 MacKay D13/160

D451,481 S * 12/2001 MacKay D13/160
D454,546 S * 3/2002 MacKay D13/160
D519,937 S * 5/2006 Laurent D13/160
D521,457 S * 5/2006 Laurent D13/160
D579,881 S * 11/2008 Aromin D13/160
D588,551 S * 3/2009 Andersson D13/158
D665,364 S * 8/2012 Krumpe D13/171
D723,476 S * 3/2015 Aromin D13/139.6
2006/0146455 A1 * 7/2006 Keller H01R 13/44
361/42

OTHER PUBLICATIONS

Auto Reset GFCI In-Line User Attachable, dated 2010, [online], [site visited Sep. 18, 2015]. Available from Internet, <URL: http://trci.net/media/4676/2009_distribution%20catalog_r7-09.pdf>.*

* cited by examiner

Primary Examiner — Thomas Johannes

Assistant Examiner — Shawn T Gingrich

(74) *Attorney, Agent, or Firm* — Sughrue Mion, PLLC

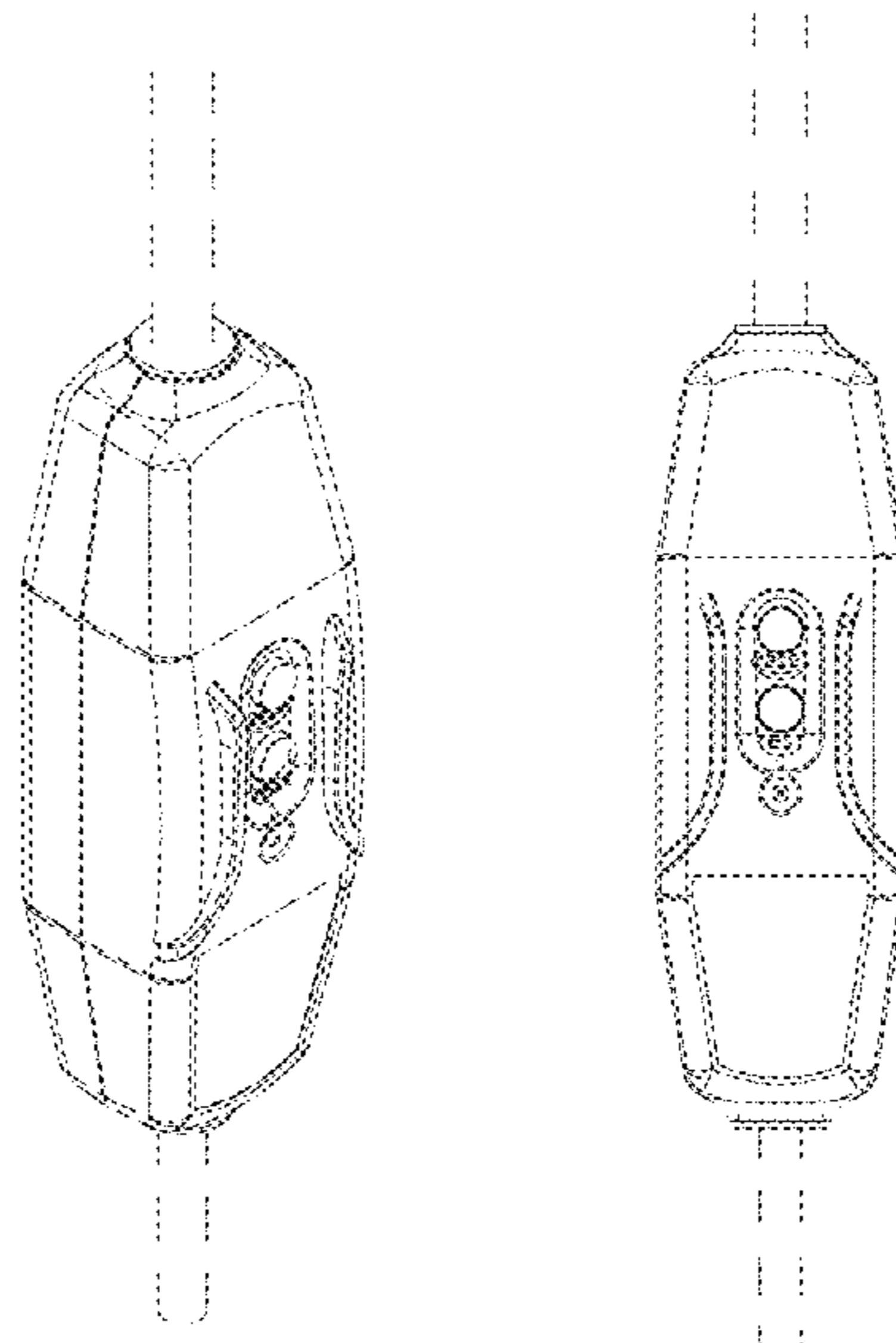
(57) **CLAIM**

The ornamental design for a mini in-line ground fault circuit interrupter, as shown and described.

DESCRIPTION

FIG. 1 is a front, left perspective view of mini in-line ground fault circuit interrupter according to our new design;
FIG. 2 is rear, right perspective view of thereof;
FIG. 3 is front view thereof;
FIG. 4 is rear view thereof;
FIG. 5 is left view thereof;
FIG. 6 is a right view thereof;
FIG. 7 is a top view thereof with a seal provided over a top opening; and,
FIG. 8 is bottom view thereof.
The features shown in dash-dash broken lines form no part of the claimed design.

1 Claim, 8 Drawing Sheets



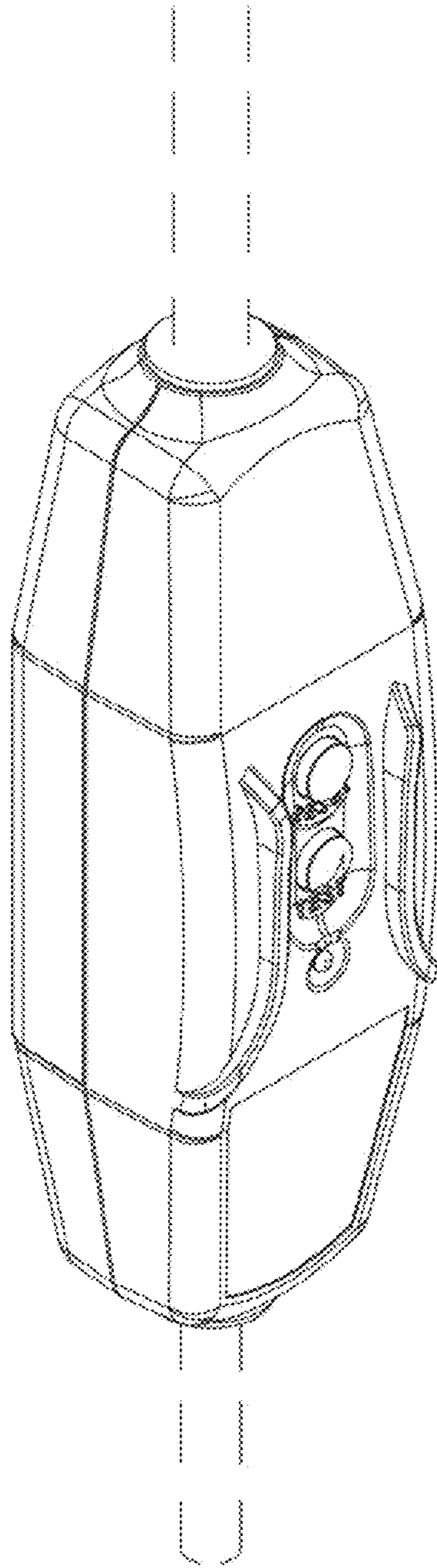


FIG. 1

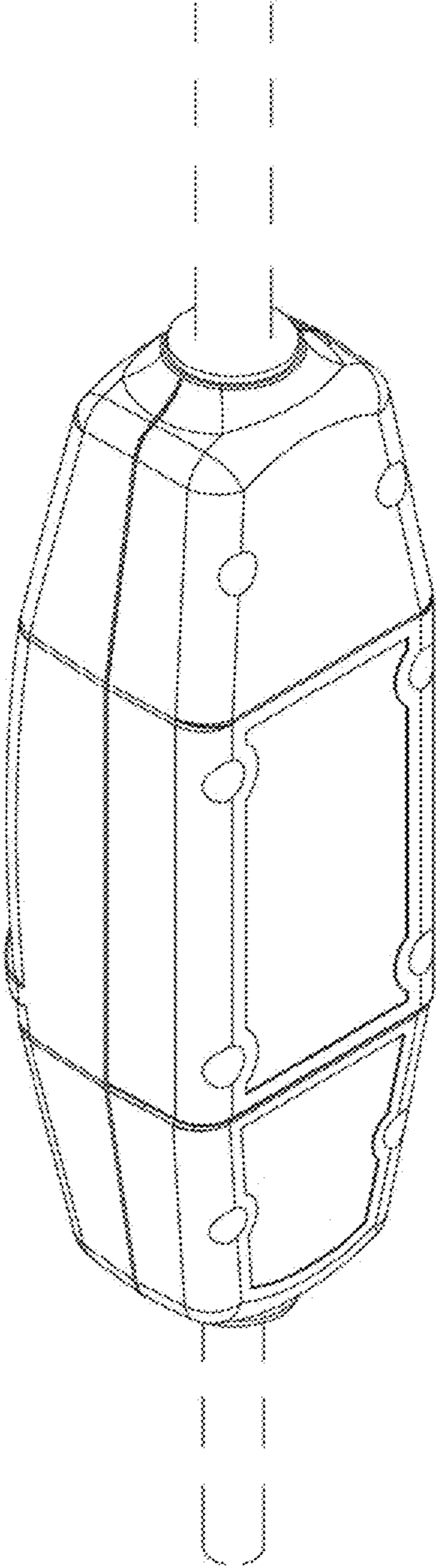


FIG.2

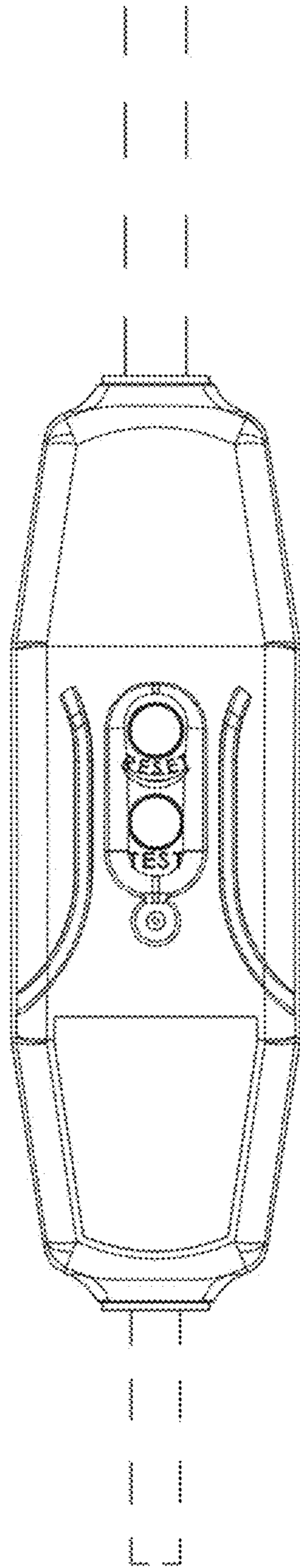


FIG.3

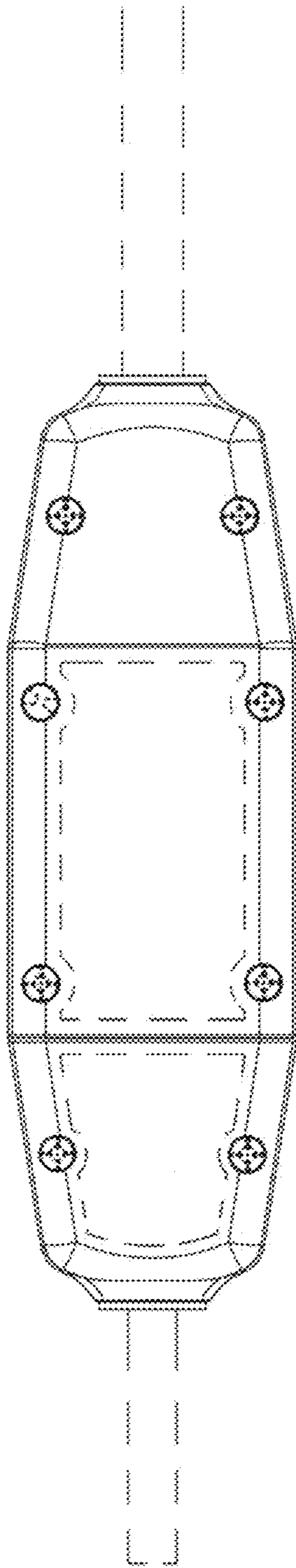


FIG.4

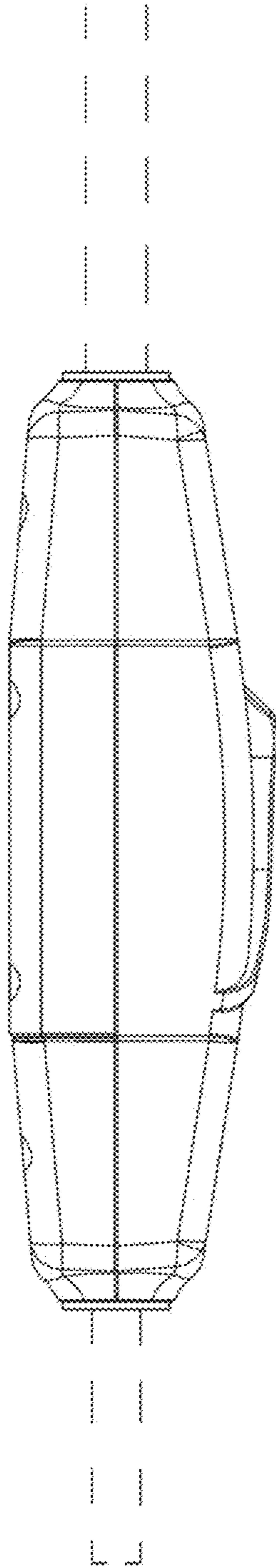


FIG.5

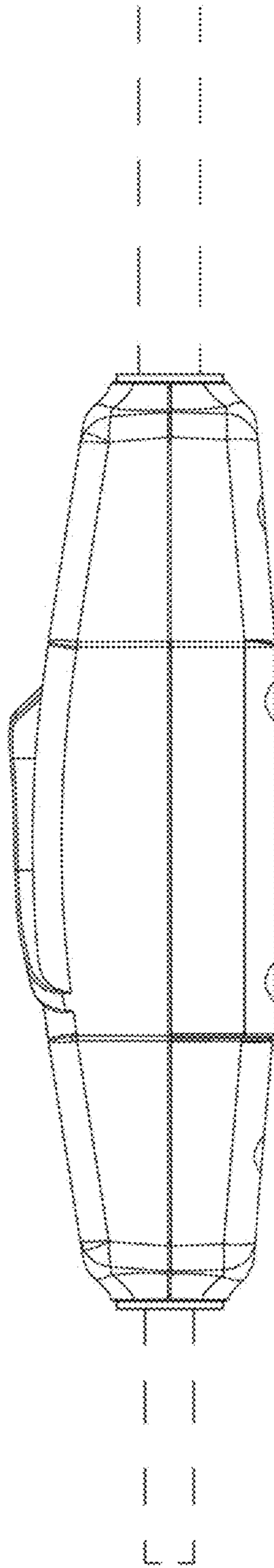


Fig. 6

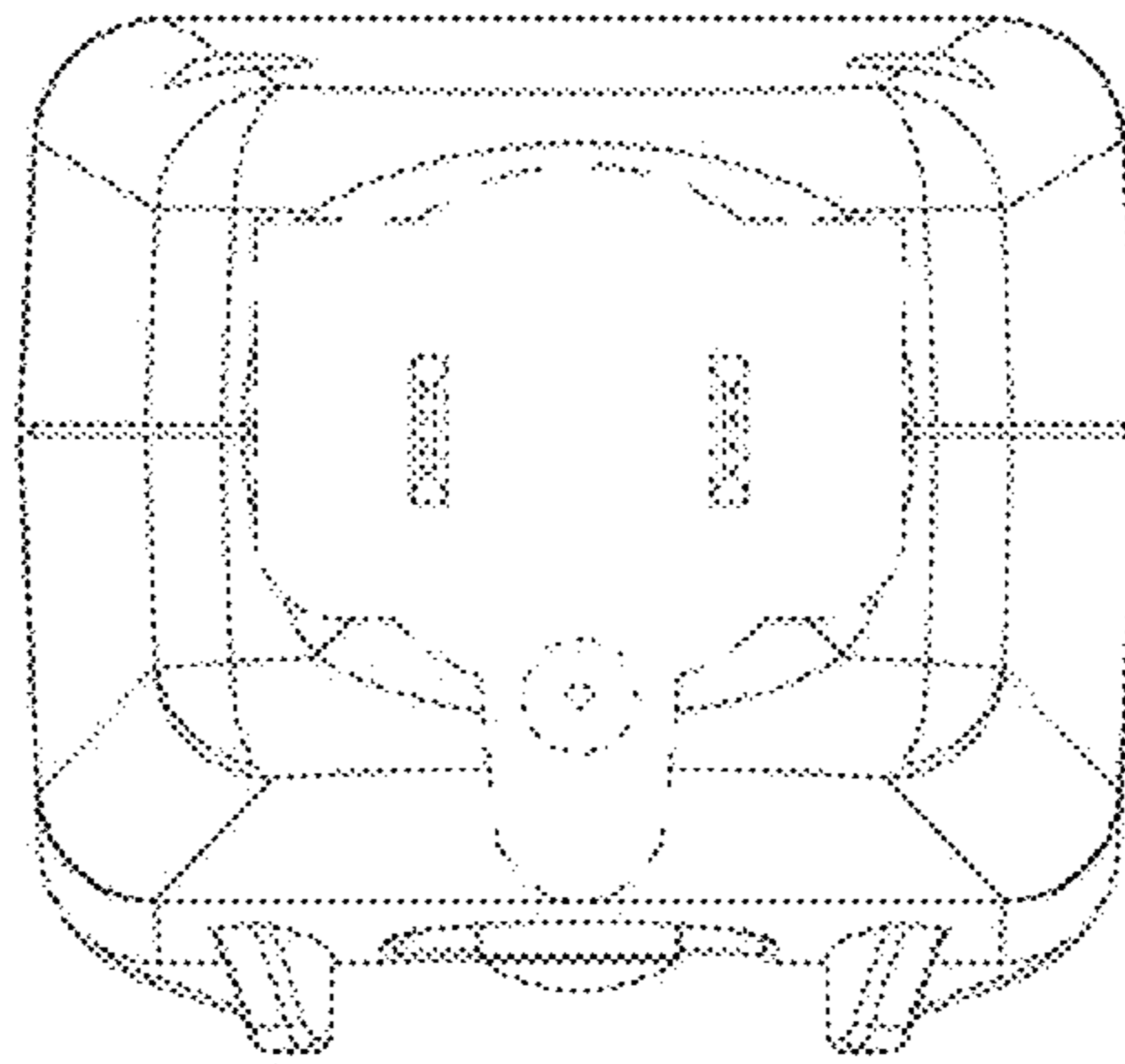


FIG. 7

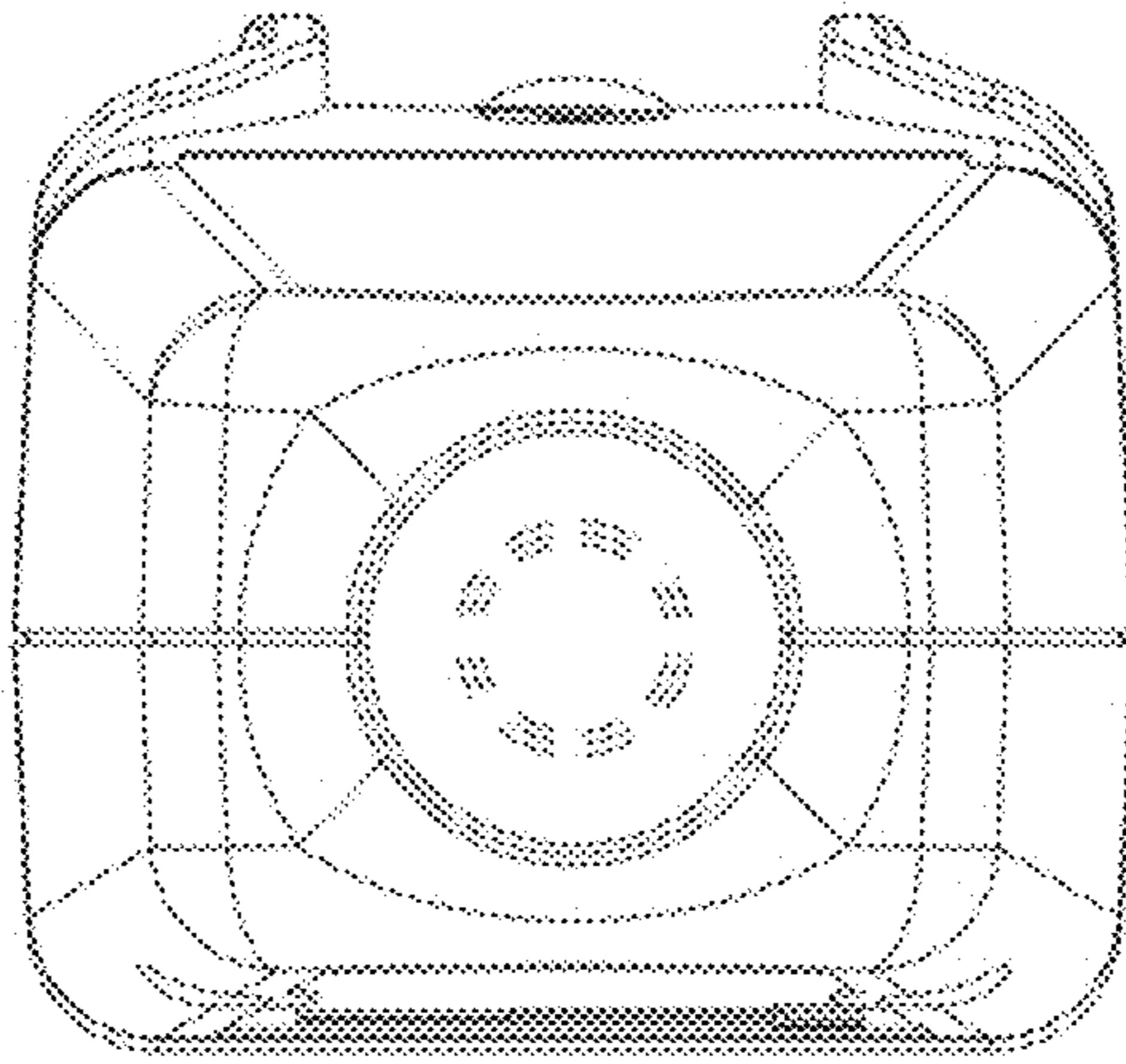


FIG. 8