



US00D765040S

(12) **United States Design Patent**
Naka

(10) **Patent No.:** **US D765,040 S**

(45) **Date of Patent:** **** Aug. 30, 2016**

- (54) **MICROSWITCH**
- (71) Applicant: **OMRON Corporation**, Kyoto-shi, Kyoto (JP)
- (72) Inventor: **Mamiko Naka**, Okayama (JP)
- (73) Assignee: **OMRON Corporation**, Kyoto (JP)
- (**) Term: **14 Years**
- (21) Appl. No.: **29/515,493**
- (22) Filed: **Jan. 23, 2015**

- 3,541,281 A * 11/1970 Krieger H01H 13/36
200/452
- 3,857,003 A * 12/1974 Nishio H01H 13/40
200/409
- 4,168,412 A * 9/1979 Smith H01H 13/36
200/456
- 4,230,922 A * 10/1980 Habecker H01H 13/063
200/302.2
- 4,384,176 A * 5/1983 Chestnut H01H 15/102
200/1 A
- D294,346 S * 2/1988 Holmes D13/171
- D294,823 S * 3/1988 Holmes D13/171
- 4,904,832 A * 2/1990 Nagahara H01H 13/36
200/402

(Continued)

(30) **Foreign Application Priority Data**

Aug. 6, 2014 (JP) 2014-017139

(51) **LOC (10) Cl.** **13-03**

(52) **U.S. Cl.**
USPC **D13/158**

(58) **Field of Classification Search**
USPC D13/158, 160, 169, 171; 200/573, 276
CPC H01H 3/001; H01H 5/00; H01H 5/045;
H01H 19/62
See application file for complete search history.

(56) **References Cited**

U.S. PATENT DOCUMENTS

- 2,487,922 A * 11/1949 Dechant B60Q 9/003
200/276
- 2,511,526 A * 6/1950 Bugge H01H 13/36
200/275
- 3,144,537 A * 8/1964 Kiwi H01H 13/06
200/332.1
- 3,157,759 A * 11/1964 Kudalis H01H 13/06
200/286
- 3,309,476 A * 3/1967 McKie H01H 5/18
200/407
- 3,449,700 A * 6/1969 Gillilan H01H 5/02
335/188

FOREIGN PATENT DOCUMENTS

JP 2014-017138 8/2014

OTHER PUBLICATIONS

Order for Japanese Design Application No. 2014-017139 dated May 12, 2015 with English language translation.

Primary Examiner — Selina Sikder
(74) *Attorney, Agent, or Firm* — Harness, Dickey & Pierce, P.L.C.

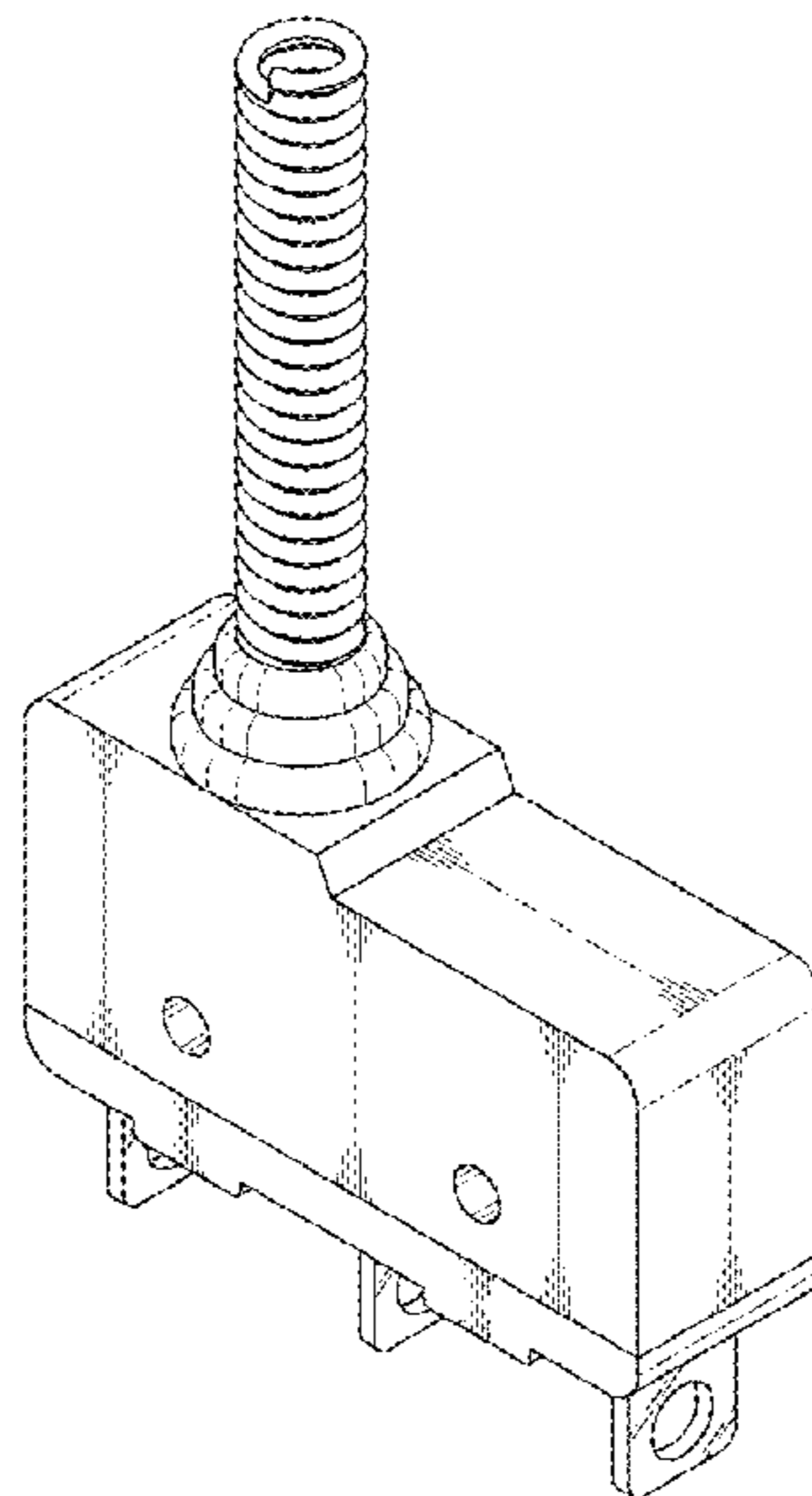
(57) **CLAIM**

The ornamental design for a microswitch, as shown and described.

DESCRIPTION

FIG. 1 is a perspective view of a microswitch;
FIG. 2 is a front elevational view thereof, the undisclosed rear elevational view being a mirror image thereof;
FIG. 3 is a left side view thereof;
FIG. 4 is a right side view thereof;
FIG. 5 is a top plan view thereof; and,
FIG. 6 is a bottom plan view thereof.

1 Claim, 4 Drawing Sheets



(56)

References Cited

U.S. PATENT DOCUMENTS

5,043,545 A *	8/1991	Yamashita	H01H 13/10	200/284	8,440,927 B2 *	5/2013	Lin	H01H 1/26	200/408
5,566,819 A *	10/1996	Lustgarten	H01H 13/36	200/407	8,816,230 B2 *	8/2014	Fang	H01H 13/36	200/461
6,326,570 B1 *	12/2001	Fujii	H01H 1/36	200/341	D728,472 S *	5/2015	Abe	D13/110	
6,998,556 B1 *	2/2006	Ho	H01H 13/12	200/531	D743,917 S *	11/2015	Muramoto	D13/171	
7,087,851 B2 *	8/2006	Mayer	H01H 3/001	200/405	2005/0109601 A1 *	5/2005	Collot	H01H 13/36	200/402
7,442,895 B2 *	10/2008	Bauer	H01H 1/42	200/531	2009/0308721 A1 *	12/2009	Beaulieu	C25C 3/14	200/276
7,538,291 B1 *	5/2009	Cheng	H01H 13/36	200/468	2010/0236912 A1 *	9/2010	Anaya	H01H 11/0006	200/468
						2015/0206670 A1 *	7/2015	Shiraishi	H01H 13/06	200/402

* cited by examiner

Fig. 1

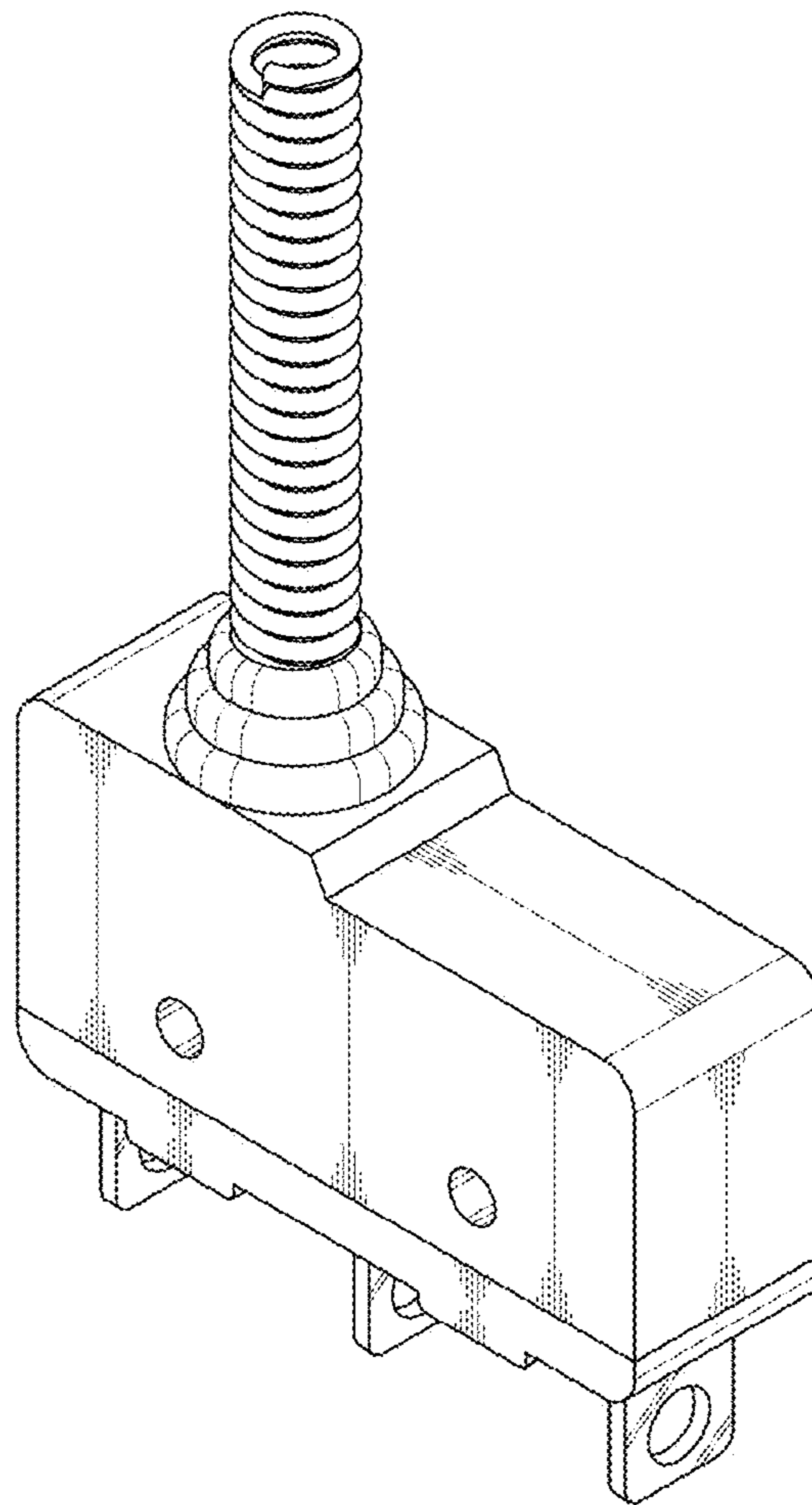


Fig. 2

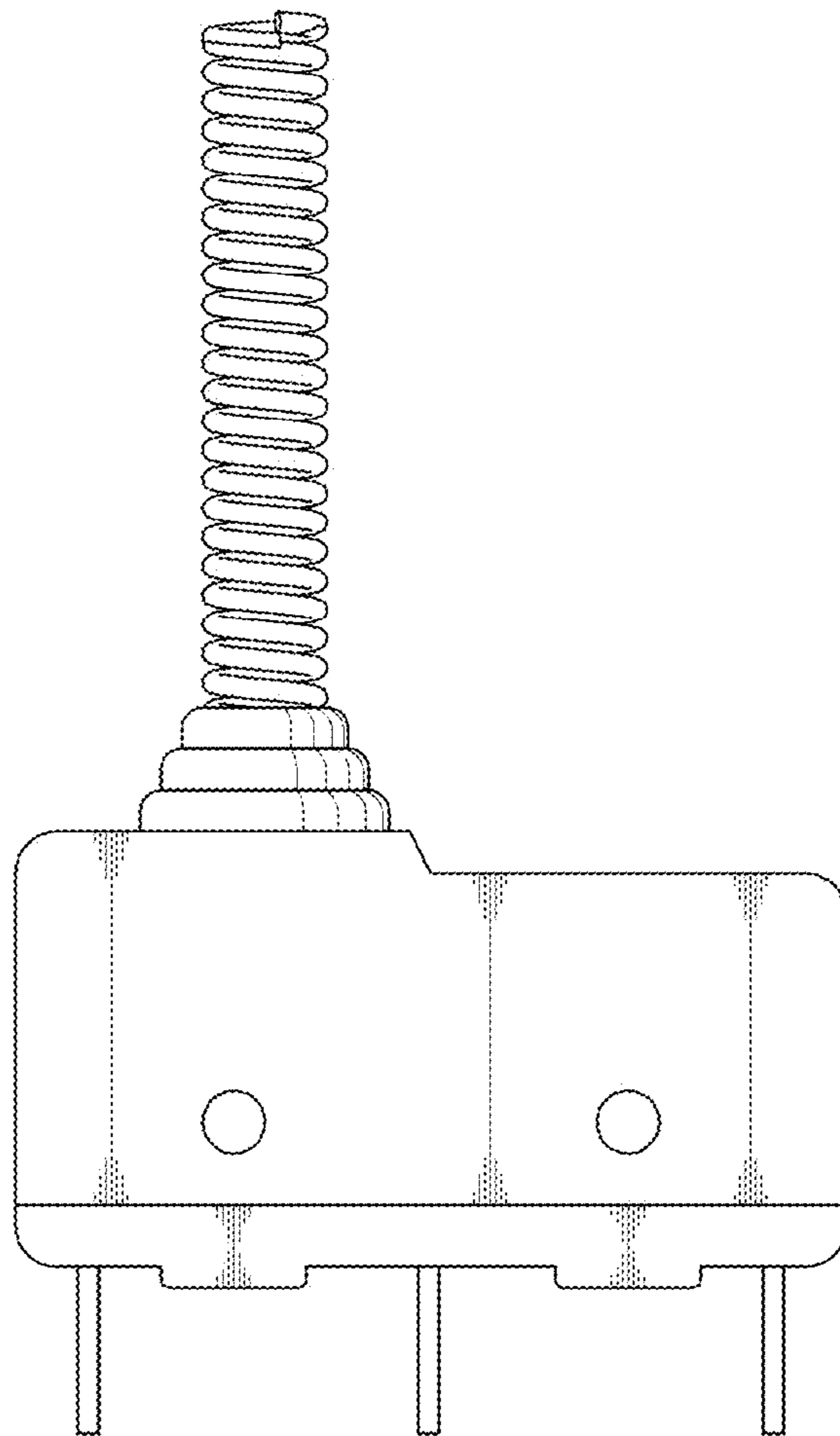


Fig. 3

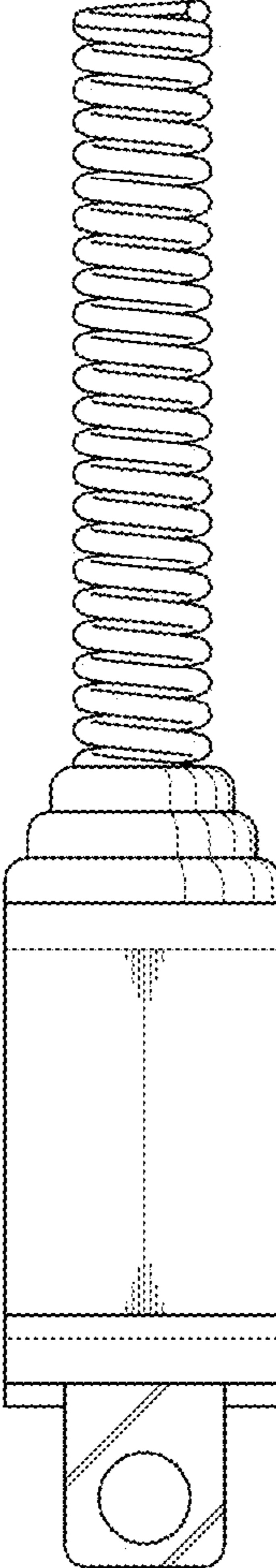


Fig. 4

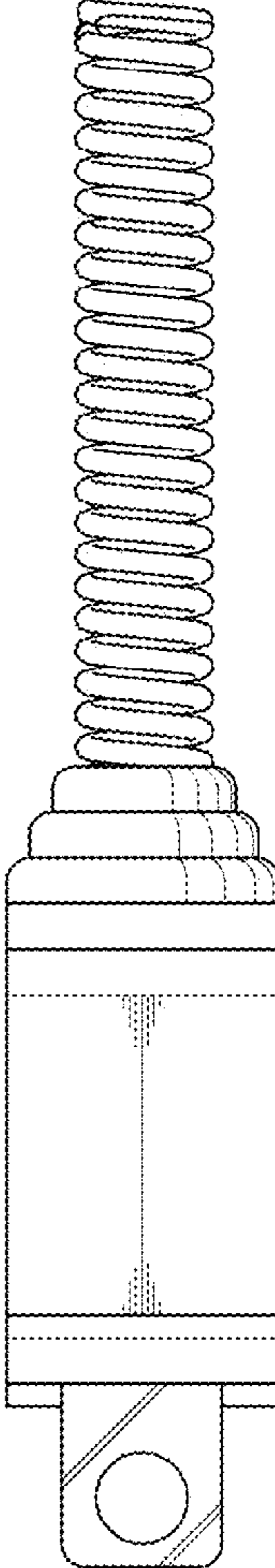


Fig. 5

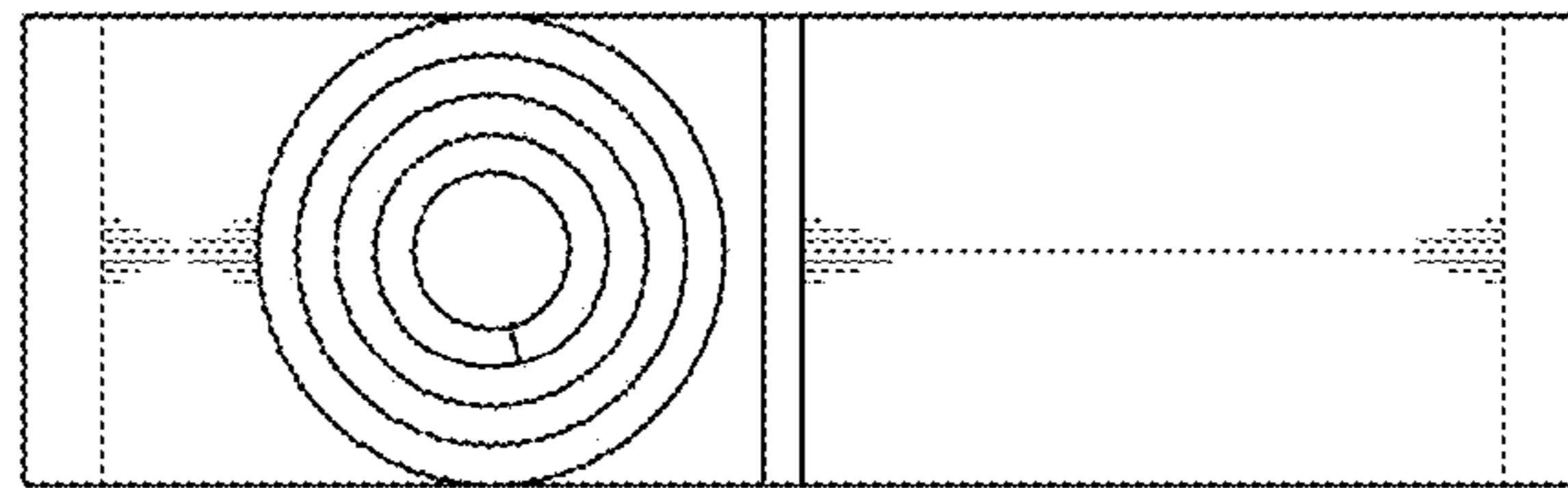


Fig. 6

