

US00D765039S

(12) **United States Design Patent**
Rutz et al.

(10) **Patent No.:** **US D765,039 S**
(45) **Date of Patent:** **** Aug. 30, 2016**

- (54) **TERMINAL BLOCK**
- (71) Applicant: **Weidmueller Interface GmbH & Co. KG**, Detmold (DE)
- (72) Inventors: **Andreas Rutz**, Bielefeld (DE); **Genadij Neumann**, Detmold (DE)
- (73) Assignee: **Weidmueller Interface GmbH & Co. KG**, Detmold (DE)
- (**) Term: **14 Years**
- (21) Appl. No.: **29/506,465**
- (22) Filed: **Oct. 16, 2014**
- (30) **Foreign Application Priority Data**
Apr. 16, 2014 (EM) 002448605-0001
- (51) **LOC (10) Cl.** **13-03**
- (52) **U.S. Cl.**
USPC **D13/158**; D13/174
- (58) **Field of Classification Search**
USPC D13/147, 154, 158, 161, 171, 173, 174, D13/178
CPC H01R 4/4827; H01R 9/16; H01R 9/22; H01R 9/26; H01R 9/2608; H01R 9/2675; H01R 31/08
See application file for complete search history.

| | | | | | | |
|--------------|------|---------|----------|-------|--------------|---------|
| 6,500,021 | B2 * | 12/2002 | Wilmes | | H01R 9/26 | 439/395 |
| 6,692,292 | B2 * | 2/2004 | Huiskamp | | H01R 4/24 | 439/417 |
| 7,192,316 | B1 * | 3/2007 | Pollmann | | H01R 9/2675 | 439/716 |
| 7,658,639 | B2 * | 2/2010 | Hoppmann | | H01R 4/4827 | 439/142 |
| 7,658,653 | B2 * | 2/2010 | Diekmann | | H01H 85/2045 | 439/715 |
| 7,862,389 | B2 * | 1/2011 | Pizzi | | H01R 4/28 | 439/709 |
| D675,577 | S * | 2/2013 | Dicaire | | D13/154 | |
| 8,460,038 | B2 * | 6/2013 | Eisert | | H01R 9/2625 | 439/716 |
| 9,153,916 | B2 * | 10/2015 | Schloo | | H01R 9/2491 | |
| 9,306,298 | B2 * | 4/2016 | France | | H01R 9/2608 | |
| 2007/0049129 | A1 * | 3/2007 | Pollmann | | H01R 9/2675 | 439/716 |
| 2008/0233782 | A1 * | 9/2008 | Hoppmann | | H01R 4/4827 | 439/259 |
| 2010/0203773 | A1 * | 8/2010 | Henke | | H01R 9/2633 | 439/709 |
| 2014/0127932 | A1 * | 5/2014 | Hoppmann | | H01R 4/4827 | 439/370 |

* cited by examiner

Primary Examiner — Selina Sikder
(74) *Attorney, Agent, or Firm* — Crowell & Moring LLP

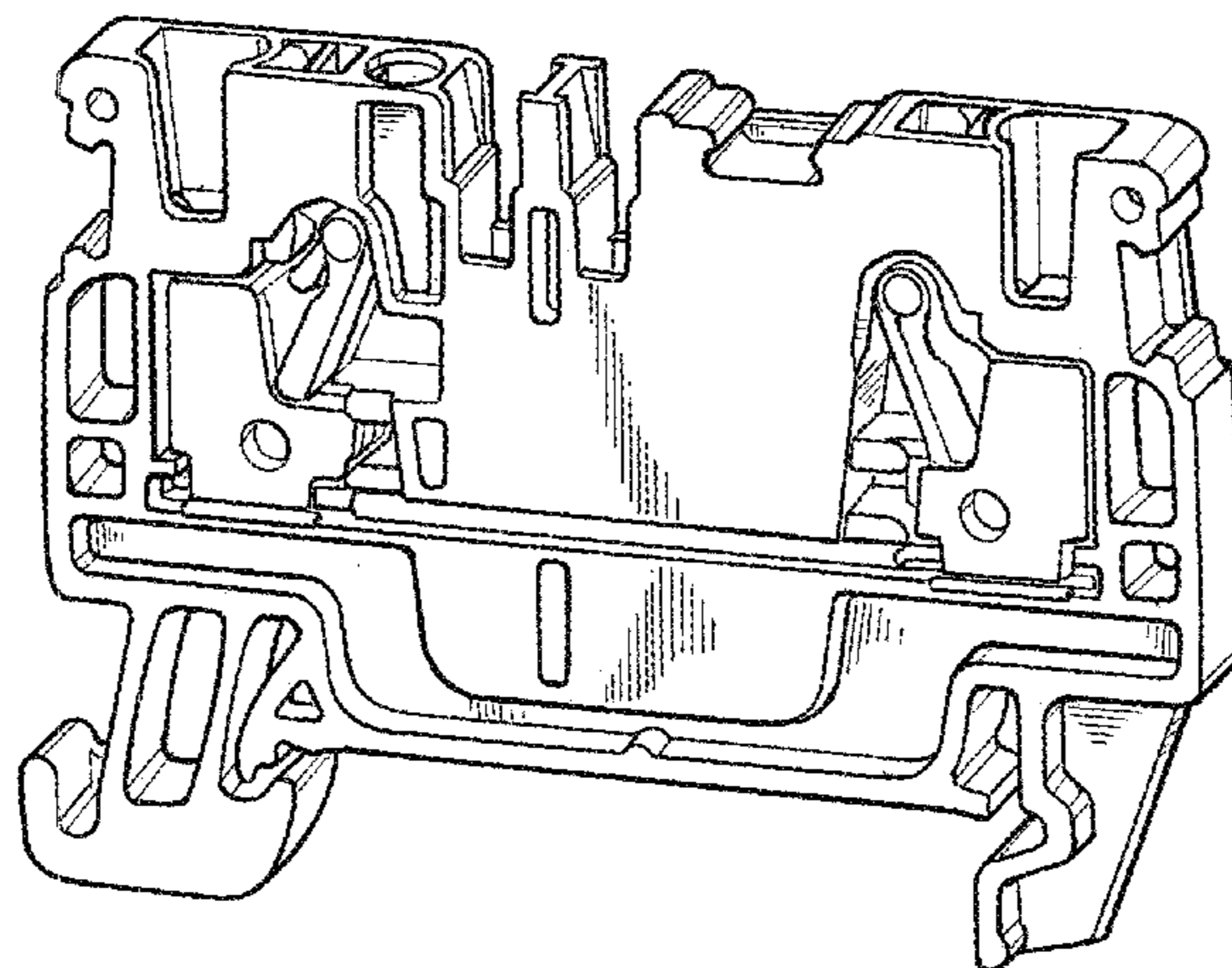
(57) **CLAIM**
The ornamental design for a terminal block, as shown and described.

DESCRIPTION

FIG. 1 is a right, front perspective view of a terminal block according to the design;
FIG. 2 is a left, rear perspective view thereof;
FIG. 3 is front view thereof;
FIG. 4 is a rear view thereof
FIG. 5 is a top view thereof;
FIG. 6 is a left side view thereof; and,
FIG. 7 is a right side view thereof.

1 Claim, 5 Drawing Sheets

- (56) **References Cited**
U.S. PATENT DOCUMENTS
D281,415 S * 11/1985 Nusse D13/147
5,090,922 A * 2/1992 Rymer H01R 9/2608
439/716
5,411,417 A * 5/1995 Horn H01R 9/2641
439/709
5,848,917 A * 12/1998 Bechaz H01R 9/2675
439/716
5,853,304 A * 12/1998 Landreau H01R 31/085
439/716



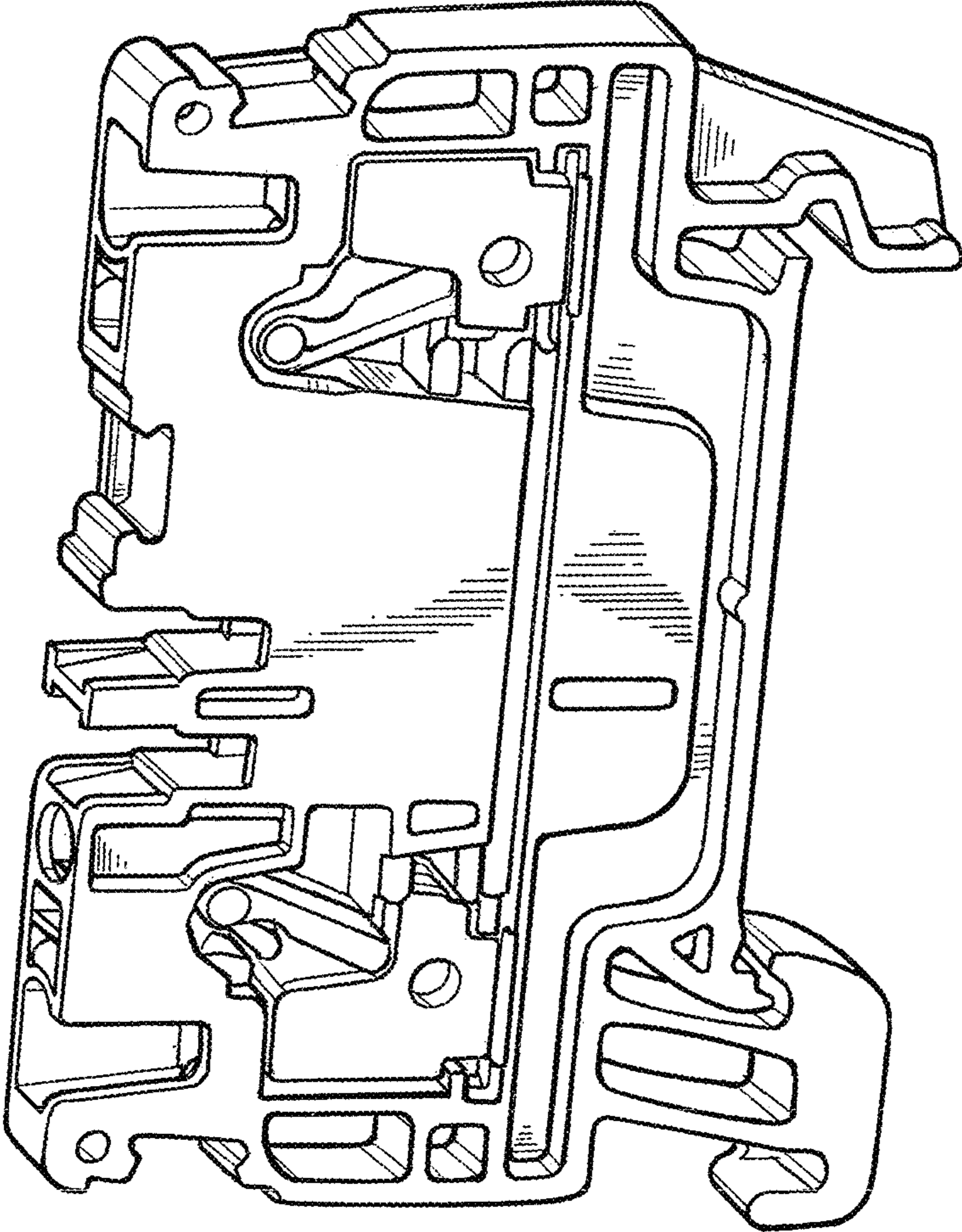


FIG. 1

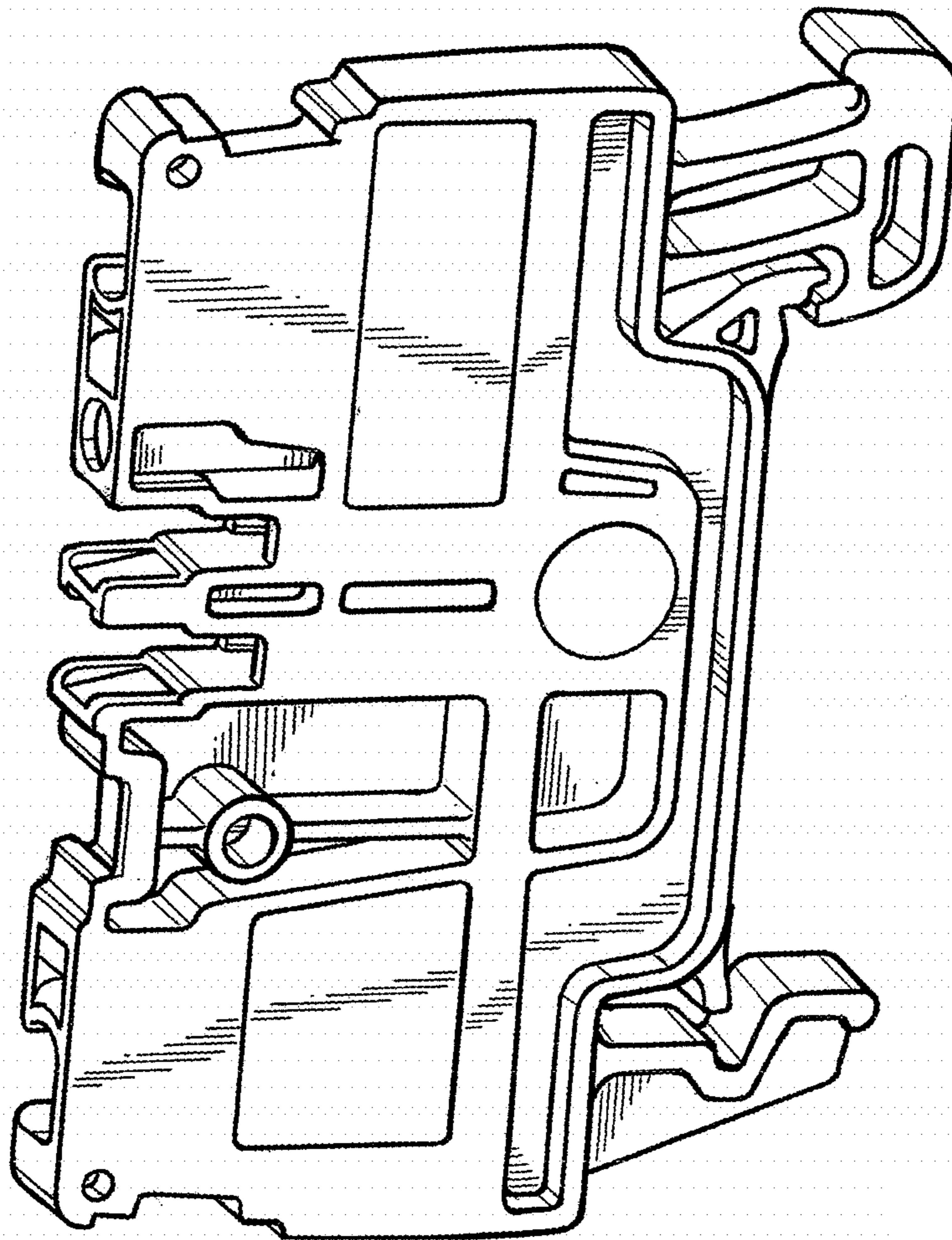


FIG. 2

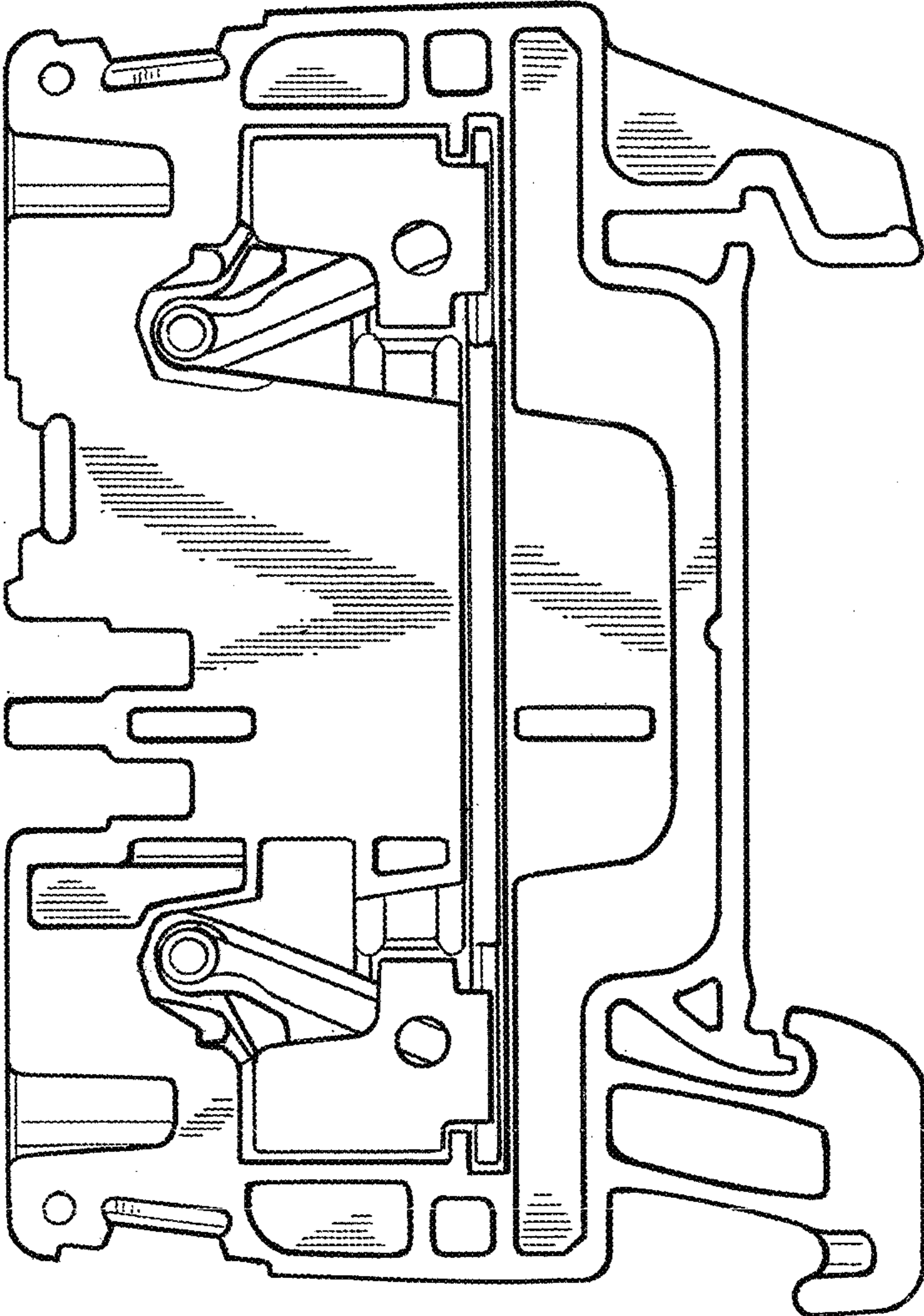


FIG. 3

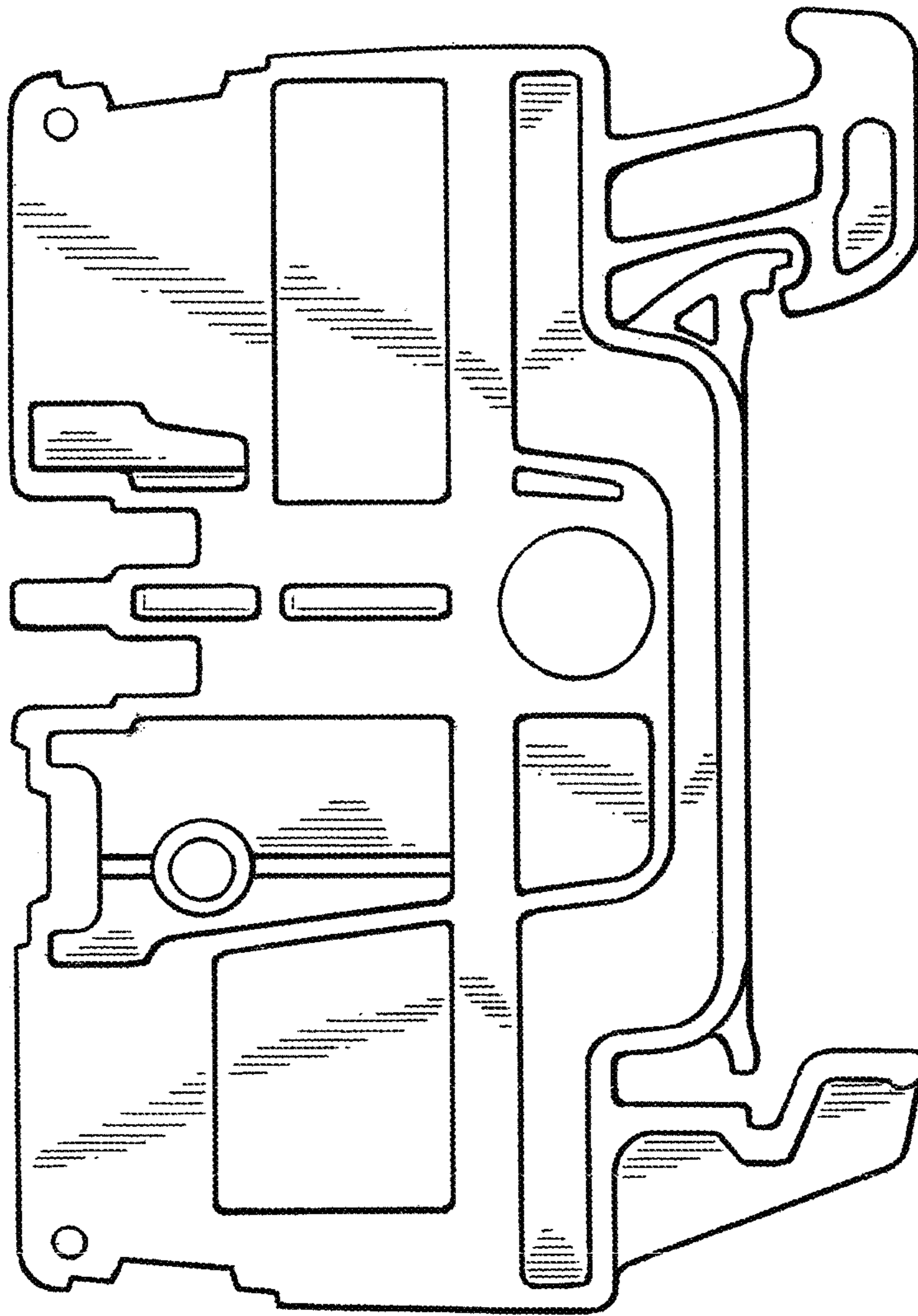


FIG. 4

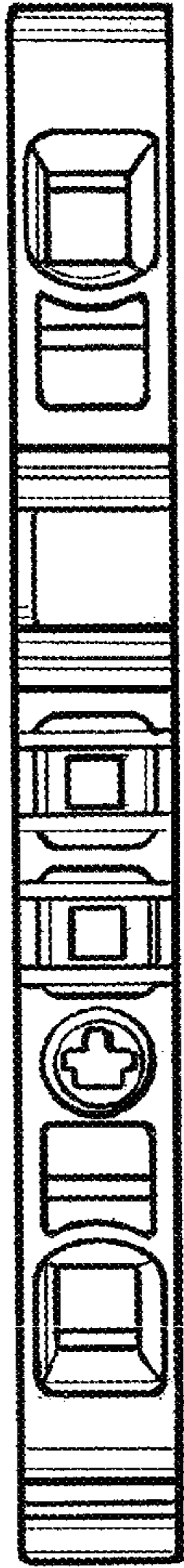


FIG. 5



FIG. 7

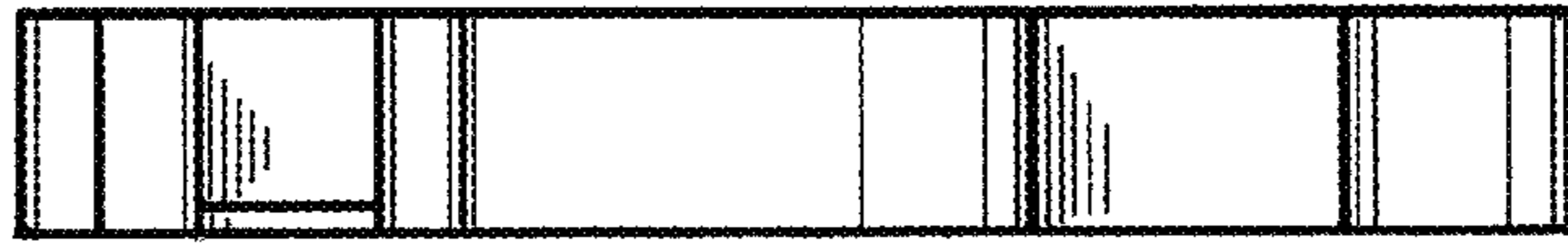


FIG. 6