



US00D765038S

(12) **United States Design Patent**
Milner

(10) **Patent No.:** **US D765,038 S**

(45) **Date of Patent:** **** Aug. 30, 2016**

- (54) **RAPTOR REGISTER GUARD**
- (71) Applicant: **Bobby Milner**, Pine Bluff, AR (US)
- (72) Inventor: **Bobby Milner**, Pine Bluff, AR (US)
- (73) Assignee: **Central Moloney, Inc**, Pine Bluff, AR (US)
- (**) Term: **15 Years**
- (21) Appl. No.: **29/527,355**
- (22) Filed: **May 18, 2015**
- (51) **LOC (10) Cl.** **13-03**
- (52) **U.S. Cl.**
USPC **D13/156**
- (58) **Field of Classification Search**
USPC 174/138 F, 5 R, 138 R, 50, 520, 67, 92,
174/93; 337/186; D22/120; D13/120, 121,
D13/123, 133, 154, 156, 158, 160, 173, 178,
D13/184, 199; 439/723, 752, 135, 149, 367;
361/600
CPC H01B 17/00; H01H 85/25; H01R 13/424;
H01R 13/426; H01R 13/4362; H01R 13/5213
See application file for complete search history.

D237,192 S *	10/1975	Uesawa	D13/156
D267,641 S *	1/1983	Seim	D13/156
4,845,307 A *	7/1989	Cumming	H01B 17/58 174/138 F
5,153,383 A *	10/1992	Whited	H01B 17/00 174/135
6,005,196 A *	12/1999	Spillyards	H01B 17/00 174/138 F
6,255,597 B1 *	7/2001	Bowling	H01B 17/00 174/138 F
6,291,774 B1 *	9/2001	Williams	H01B 17/00 174/135
6,486,785 B1 *	11/2002	Hoth	H01B 17/00 250/443.1
6,995,313 B1 *	2/2006	Barnett	H01B 17/00 174/138 F
D595,804 S *	7/2009	Tollefson	D22/120
7,622,668 B1 *	11/2009	Tollefson	H01B 17/00 174/135
7,839,256 B2 *	11/2010	Bradford	H01B 17/00 174/135

* cited by examiner

Primary Examiner — Derrick Holland
Assistant Examiner — Jennifer O King
(74) *Attorney, Agent, or Firm* — Chris P. Corbitt; Corbitt Law Firm

(57) **CLAIM**
The ornamental design for a raptor register guard, as shown and described.

(56) **References Cited**

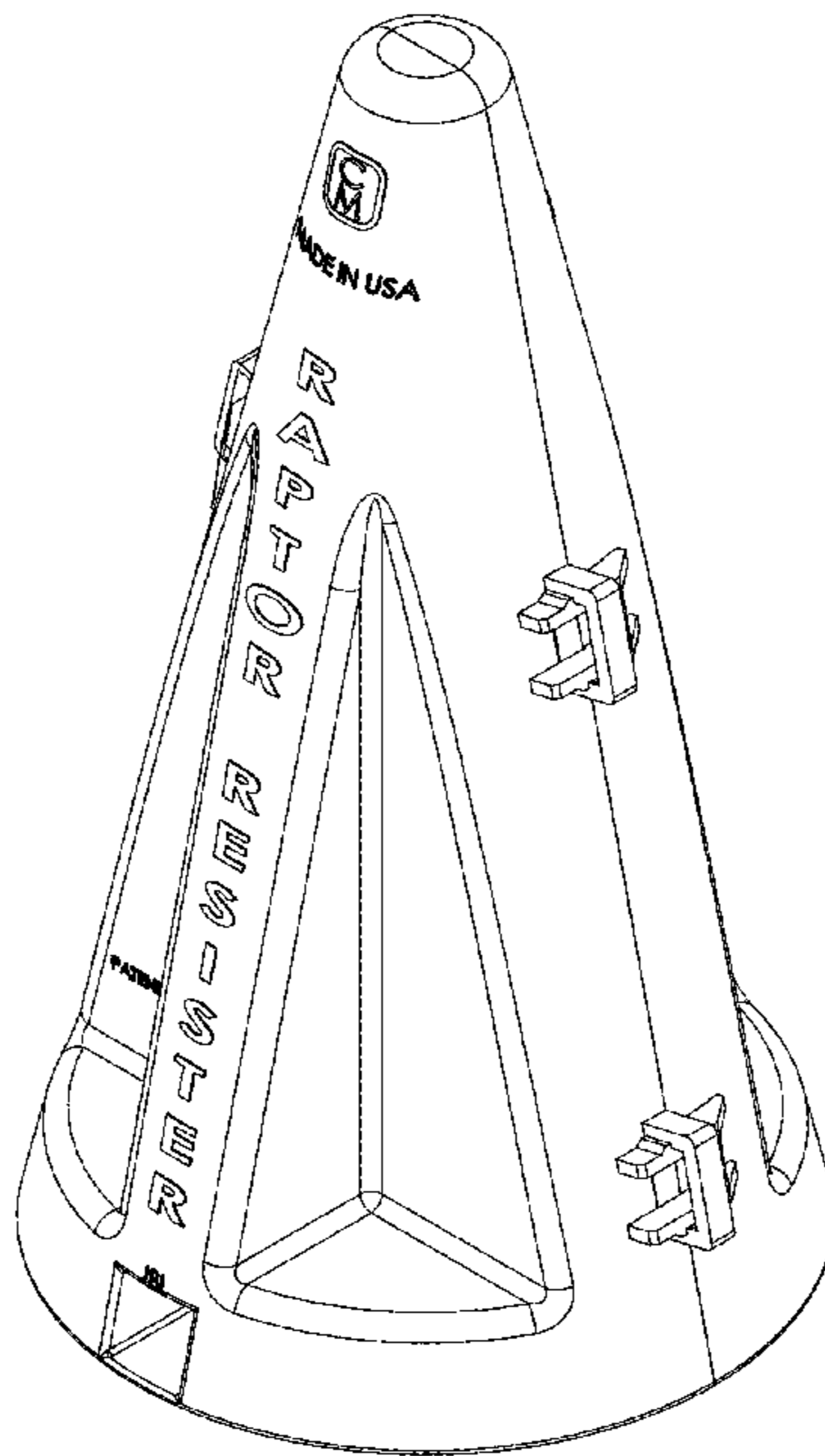
U.S. PATENT DOCUMENTS

949,184 A *	2/1910	Kelman	F16B 33/004 174/138 R
2,988,315 A *	6/1961	Saxe	F16B 5/126 211/106.01
D202,107 S *	8/1965	Moldt, Jr.	254/134.3 R
3,510,568 A *	5/1970	Cochran	H02G 7/00 174/138 F

DESCRIPTION

FIG. 1 is an isometric side view of the raptor register guard; FIG. 2 is a top view of the raptor register guard; FIG. 3 is a front view of the raptor register guard; and, FIG. 4 is a side view of the raptor register guard.

1 Claim, 4 Drawing Sheets



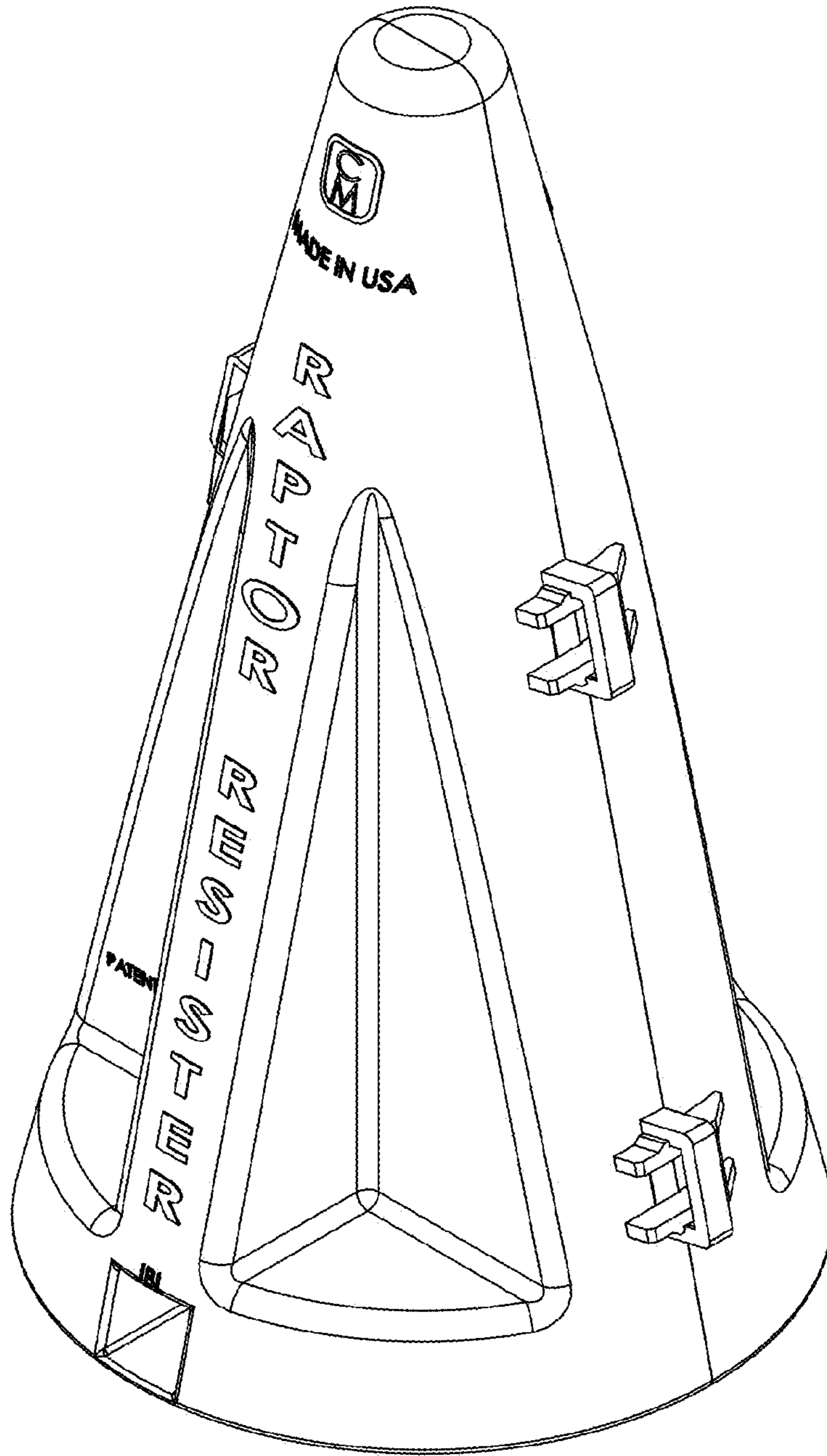


Fig. 1

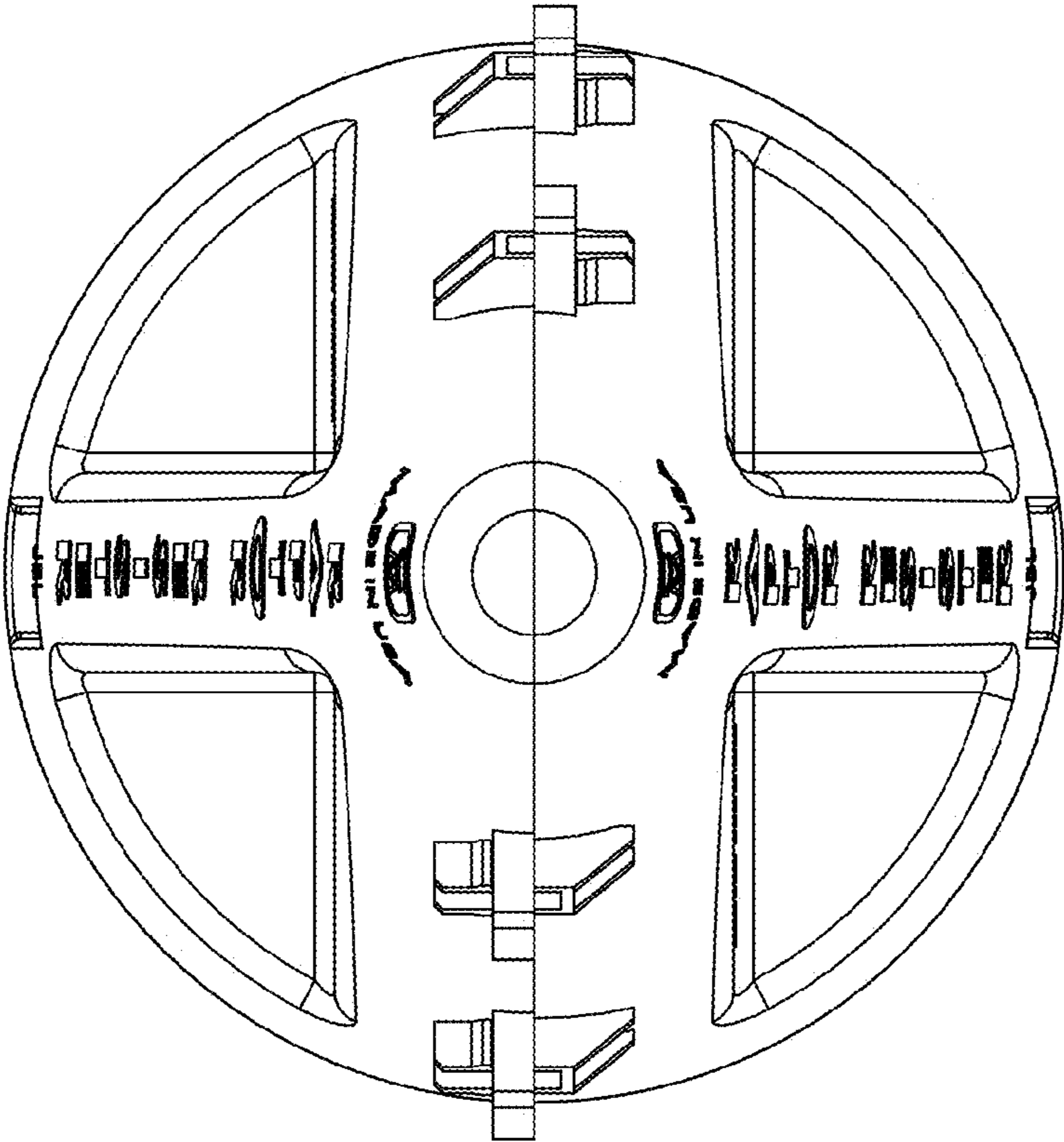


Fig. 2

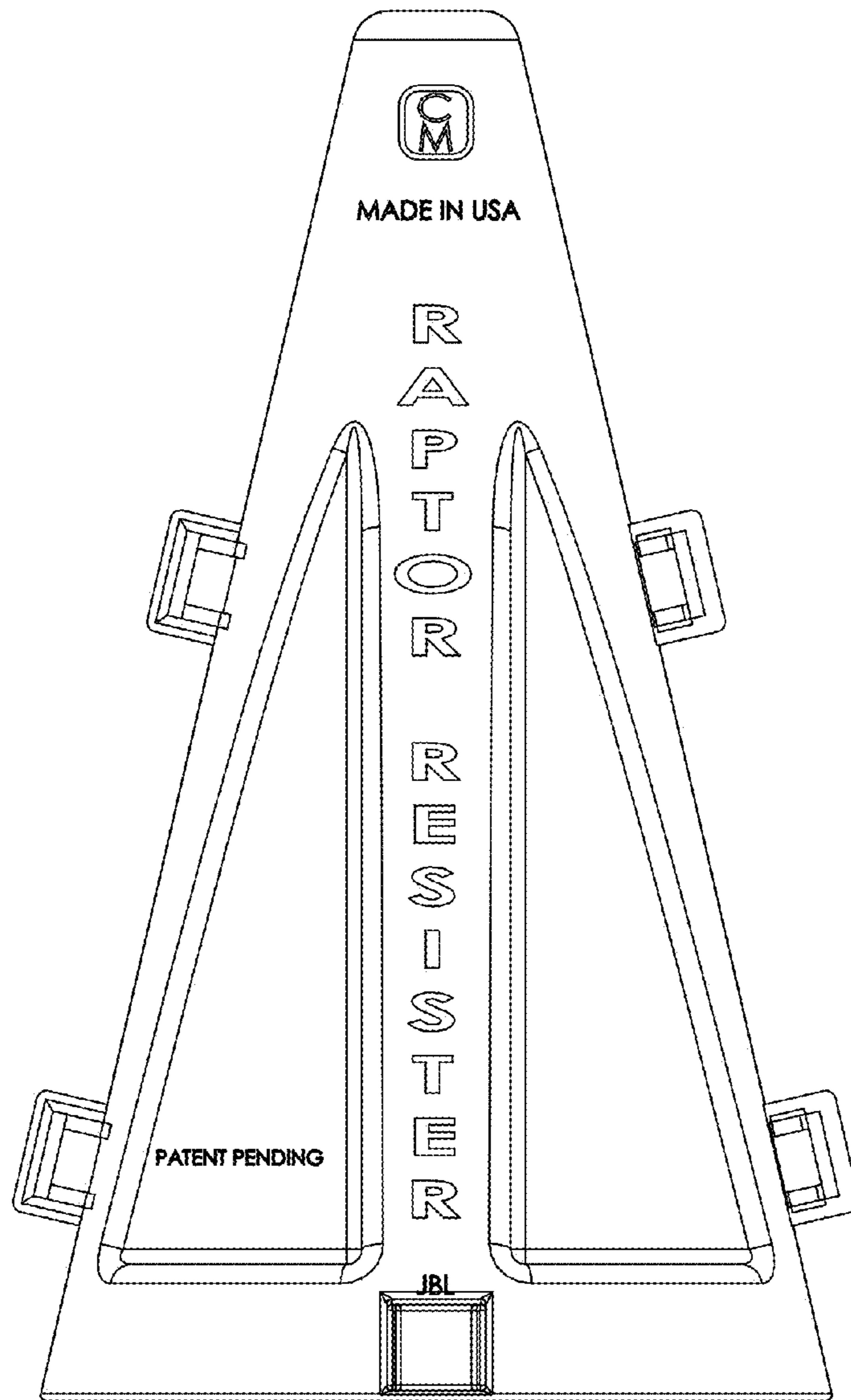


Fig. 3

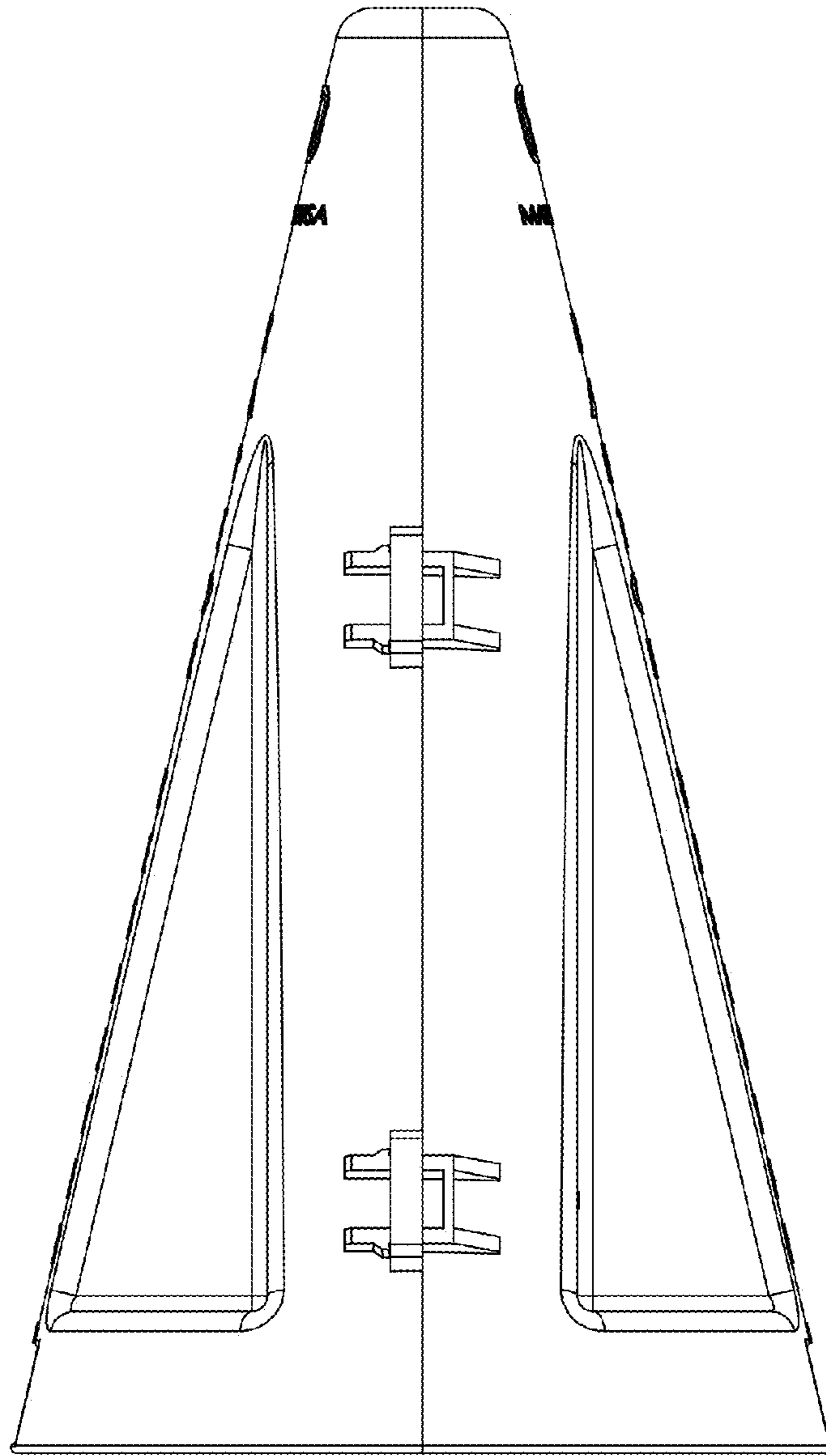


Fig. 4