



US00D765037S

(12) **United States Design Patent**
Hebert

(10) **Patent No.:** **US D765,037 S**

(45) **Date of Patent:** **** Aug. 30, 2016**

(54) **EXTENSION CORD CONTAINER AND PLUG PROTECTOR**

(71) Applicant: **Jennifer B. Hebert**, Conroe, TX (US)

(72) Inventor: **Jennifer B. Hebert**, Conroe, TX (US)

(**) Term: **15 Years**

(21) Appl. No.: **29/527,129**

(22) Filed: **May 15, 2015**

(51) **LOC (10) Cl.** **13-03**

(52) **U.S. Cl.**
USPC **D13/156**

(58) **Field of Classification Search**
USPC D13/156, 139.1, 152, 155, 154; 174/53, 174/55, 67; 220/3.3, 3.5, 3.8, 242; 439/92, 439/536, 650, 147, 135; D8/349-351, 353
CPC H01R 13/443; H01R 13/447; H02G 3/14
See application file for complete search history.

(56) **References Cited**

U.S. PATENT DOCUMENTS

- 2,415,602 A * 2/1947 Monaco H01R 13/447
174/504
- 4,603,932 A * 8/1986 Heverly H01R 13/44
174/67
- 4,803,307 A * 2/1989 Shotey H02G 3/088
174/67
- 4,851,612 A * 7/1989 Peckham H01R 13/6395
174/67
- 4,950,842 A * 8/1990 Menninga H02G 3/14
174/67
- 4,993,963 A * 2/1991 Pedigo H01R 13/447
174/67
- 5,174,773 A * 12/1992 Jones H01R 13/447
174/67

- D354,736 S * 1/1995 Hallett D13/156
- D366,453 S * 1/1996 Boesel D13/137.2
- D381,631 S * 7/1997 Hallett D13/156
- D460,421 S * 7/2002 Marozsan, Jr. D13/156
- 7,431,594 B2 * 10/2008 Castaldo H01R 13/6395
174/67
- 7,939,757 B1 * 5/2011 Baldwin H02G 3/14
174/66
- 8,088,999 B1 * 1/2012 Payout H02G 3/14
174/66
- D665,362 S * 8/2012 Browder D13/155

* cited by examiner

Primary Examiner — Derrick Holland

Assistant Examiner — Jennifer O King

(74) *Attorney, Agent, or Firm* — Dale J. Ream

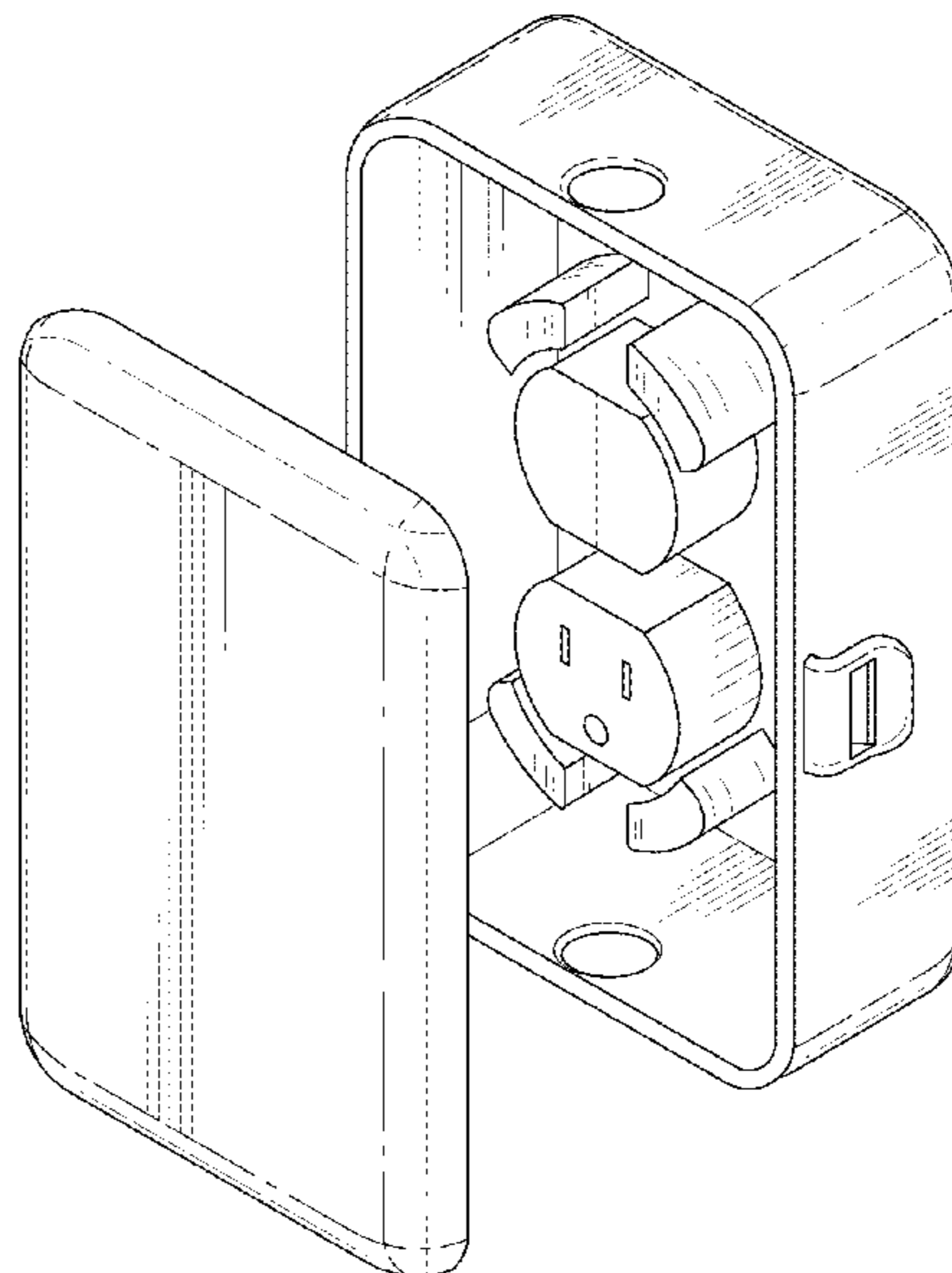
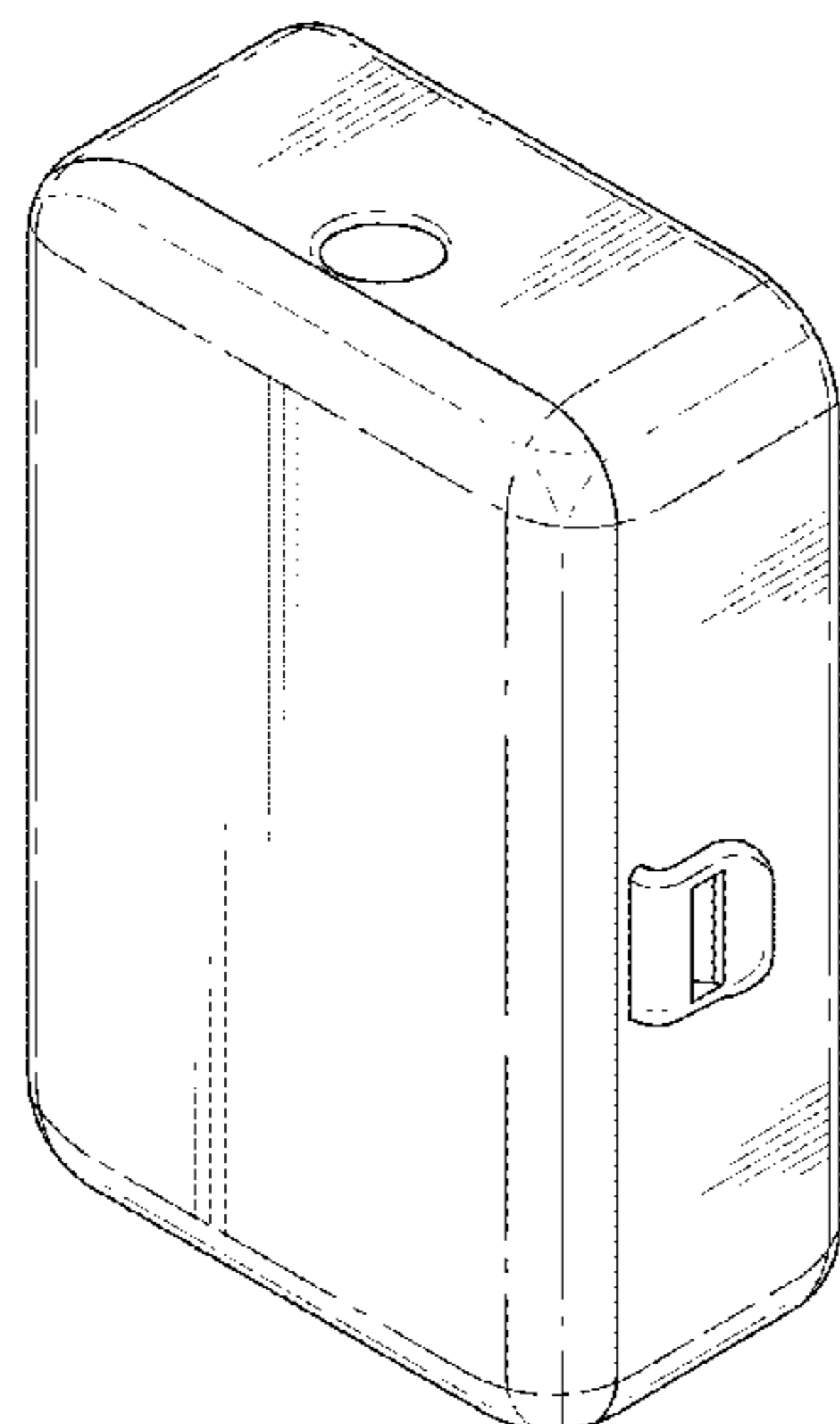
(57) **CLAIM**

The ornamental design for an extension cord container and plug protector, as shown and described.

DESCRIPTION

FIG. 1 is a perspective view of an extension cord container and plug protector showing my new design;
 FIG. 2 is an exploded perspective view thereof;
 FIG. 3 is another perspective view thereof, shown in use, and with the cover shown removed for ease of illustration;
 FIG. 4 is another perspective thereof, shown in use;
 FIG. 5 is a front view thereof;
 FIG. 6 is a back view thereof;
 FIG. 7 is a top view thereof;
 FIG. 8 is a bottom view thereof;
 FIG. 9 is a right side view thereof; and,
 FIG. 10 is a left side view thereof.
 The broken lines shown represent unclaimed subject matter and form no part of the claimed design.

1 Claim, 10 Drawing Sheets



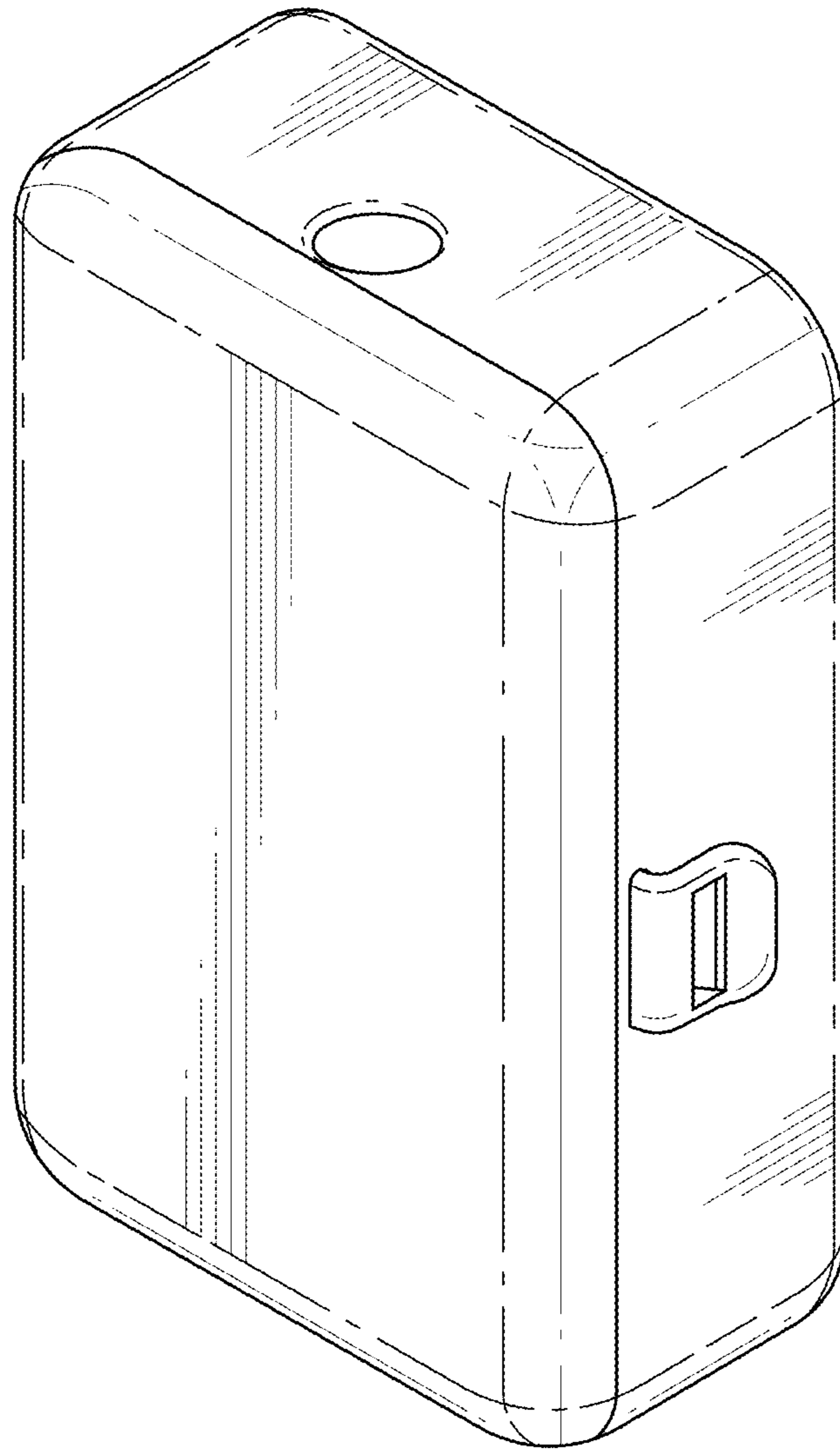


FIG. 1

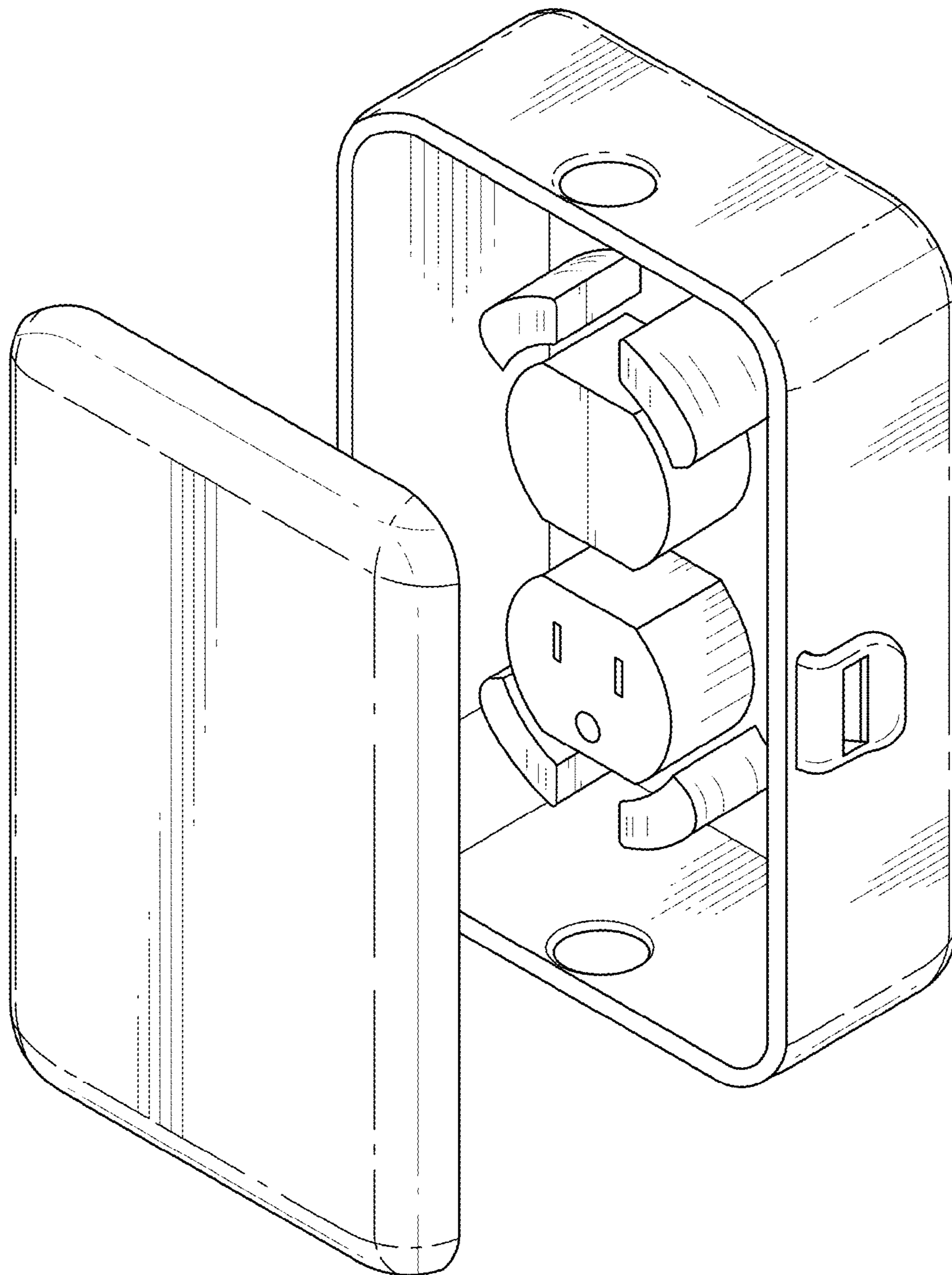


FIG. 2

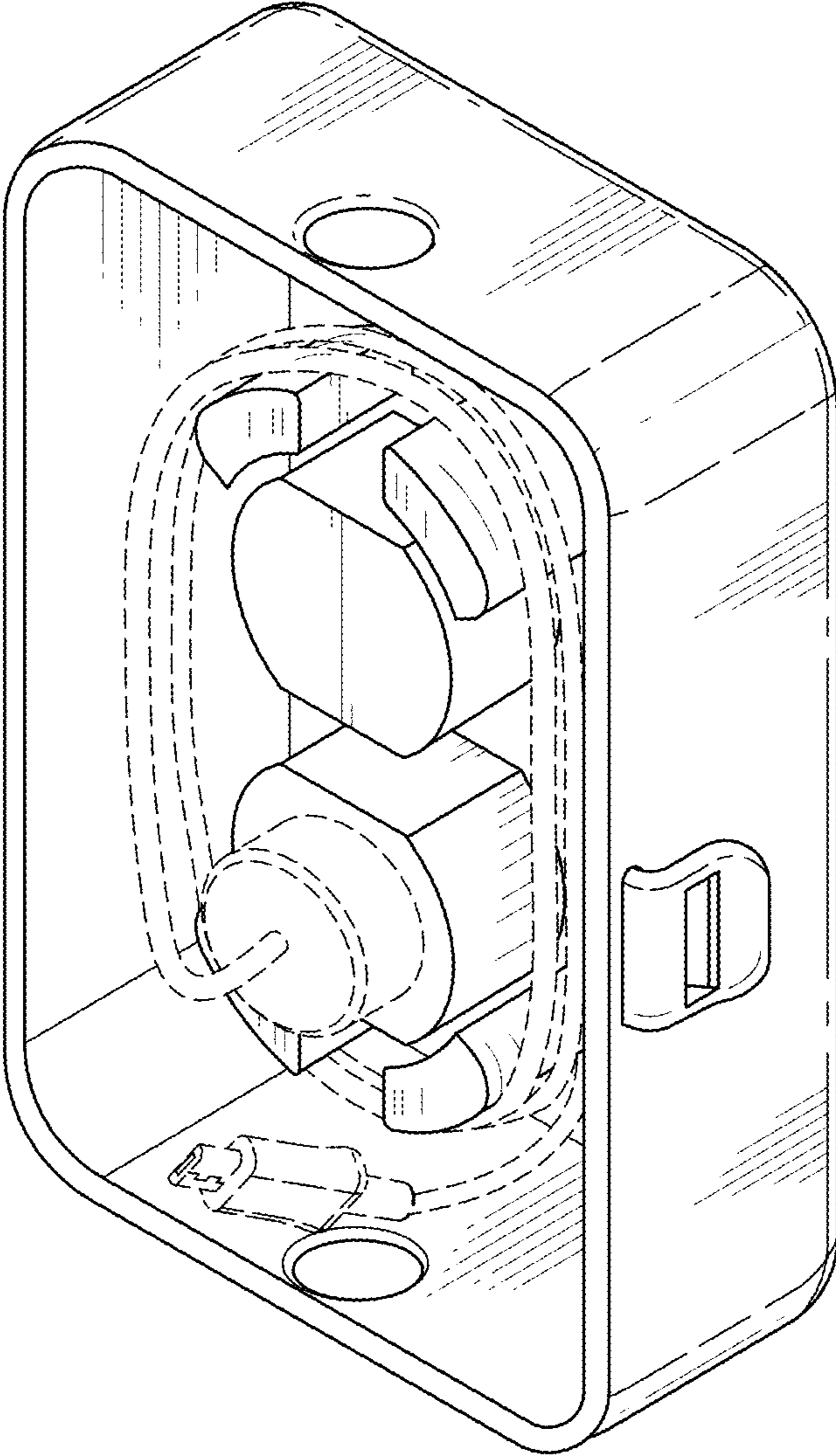


FIG. 3

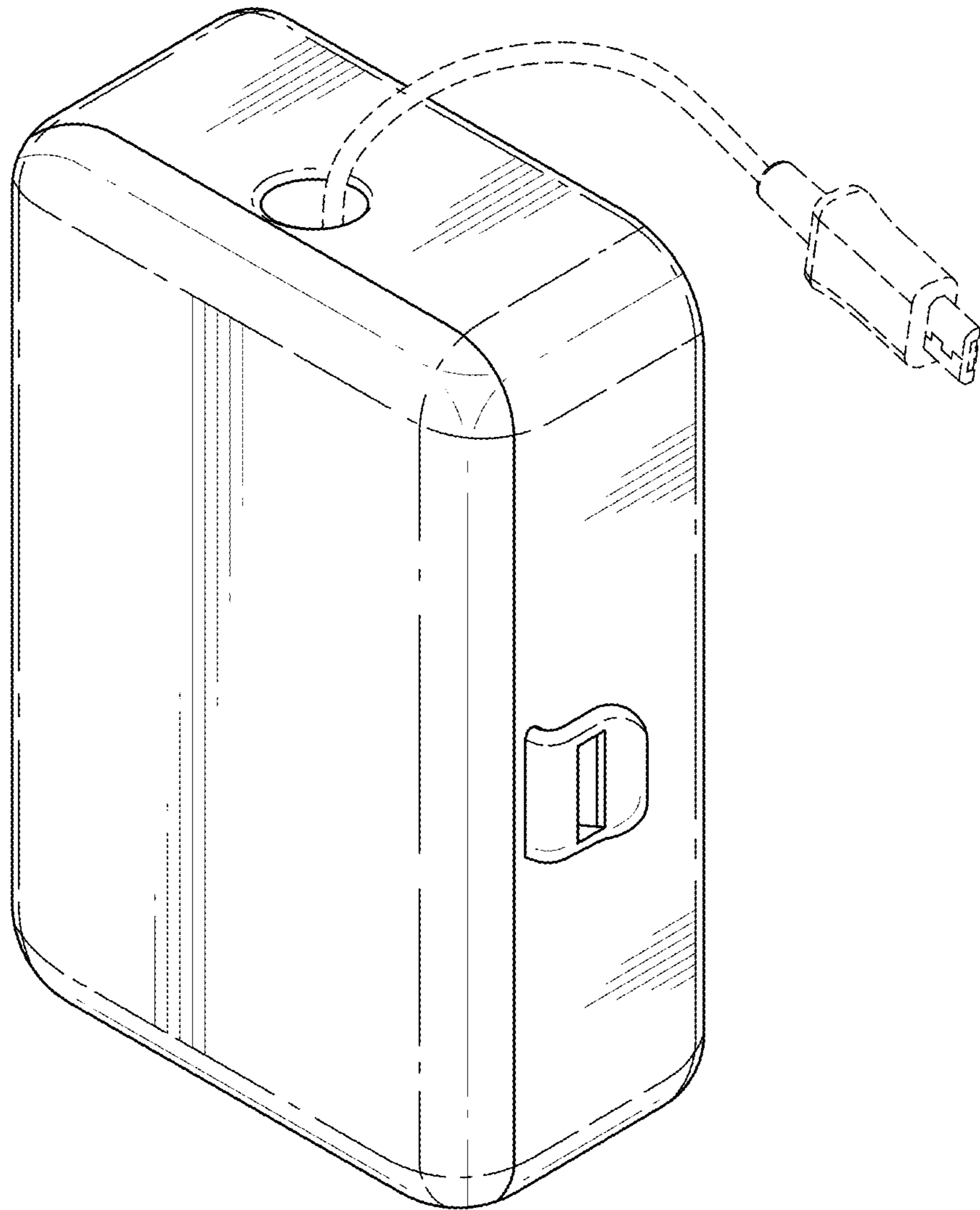


FIG. 4

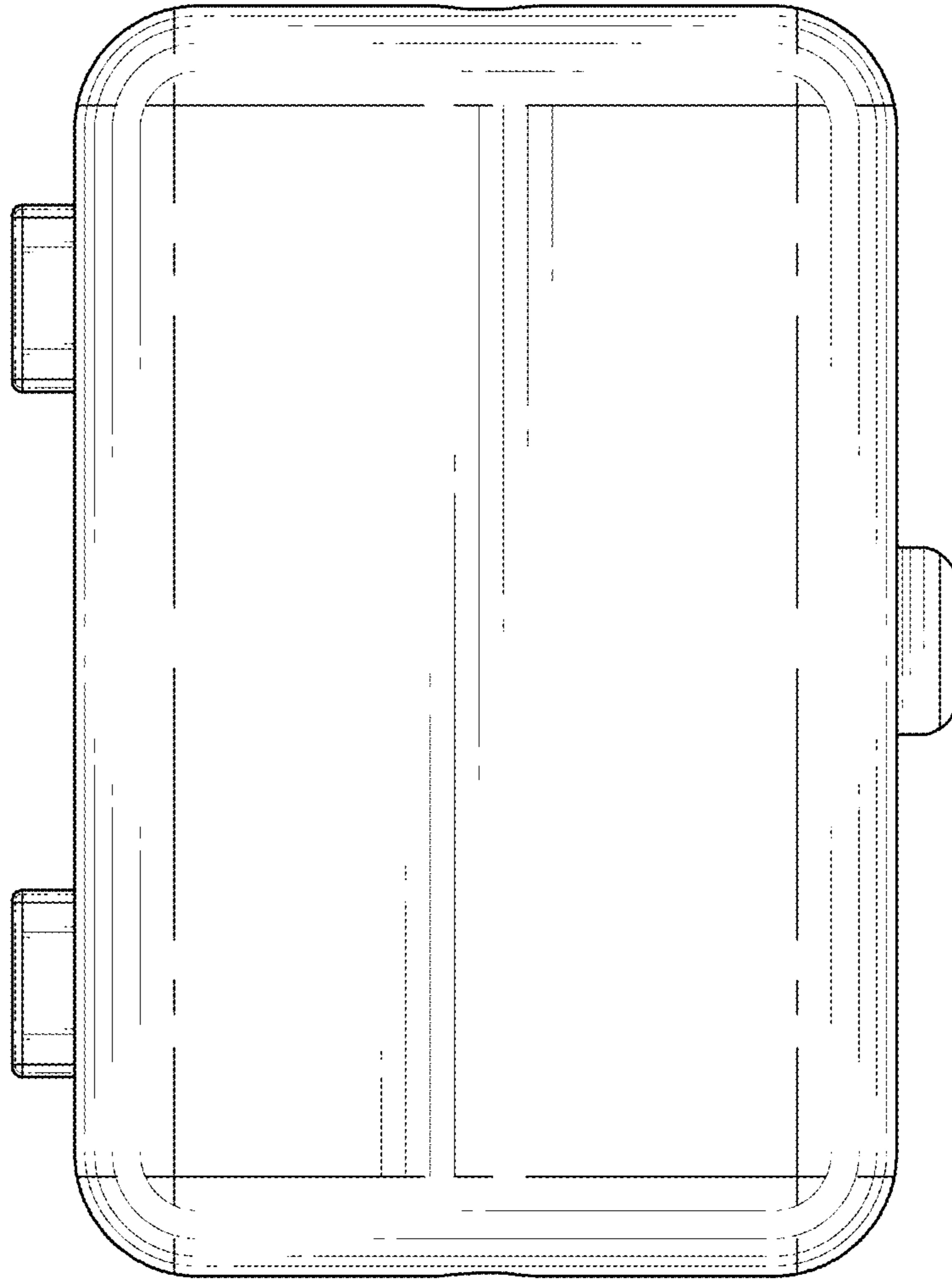


FIG. 5

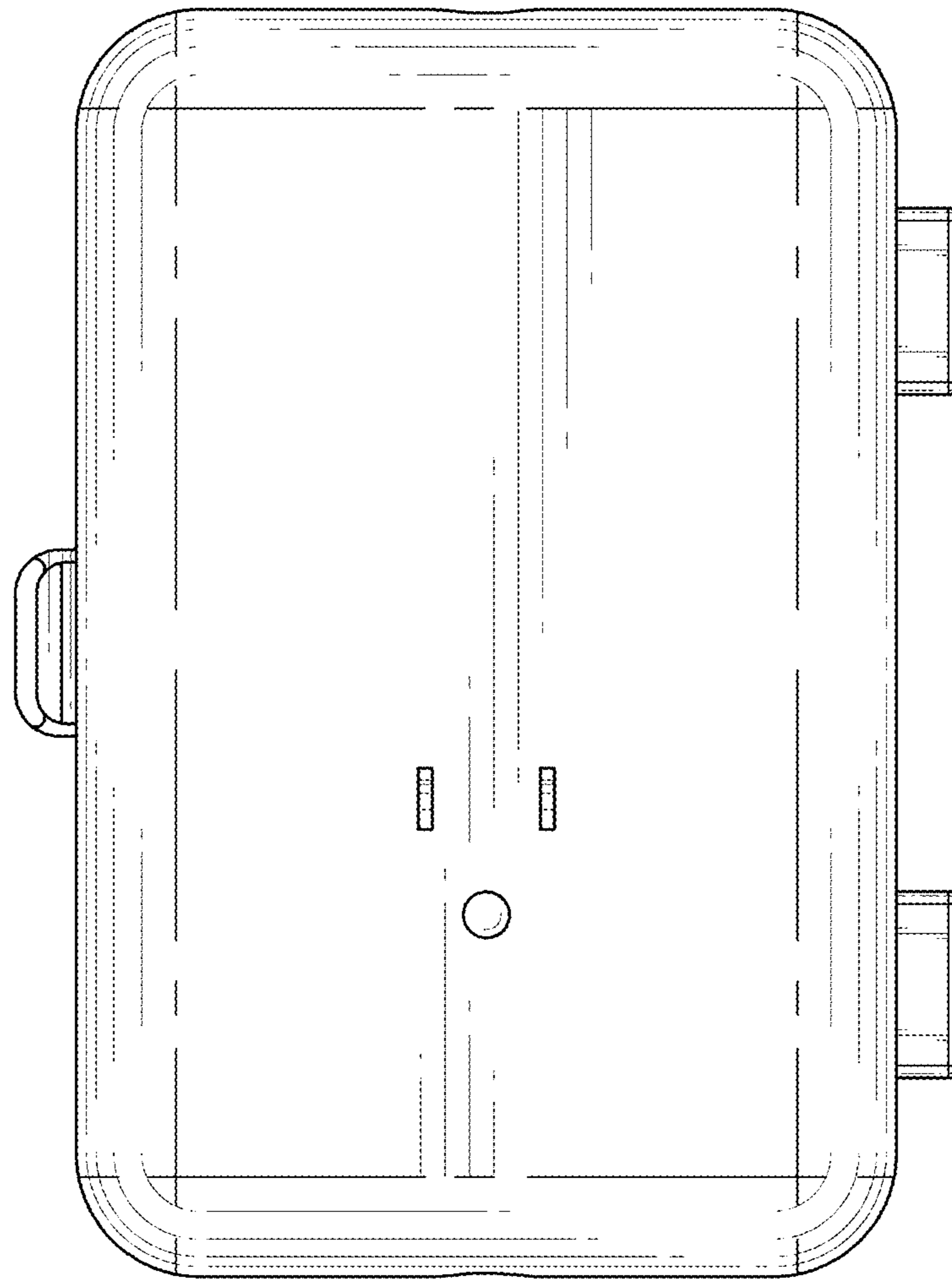


FIG. 6

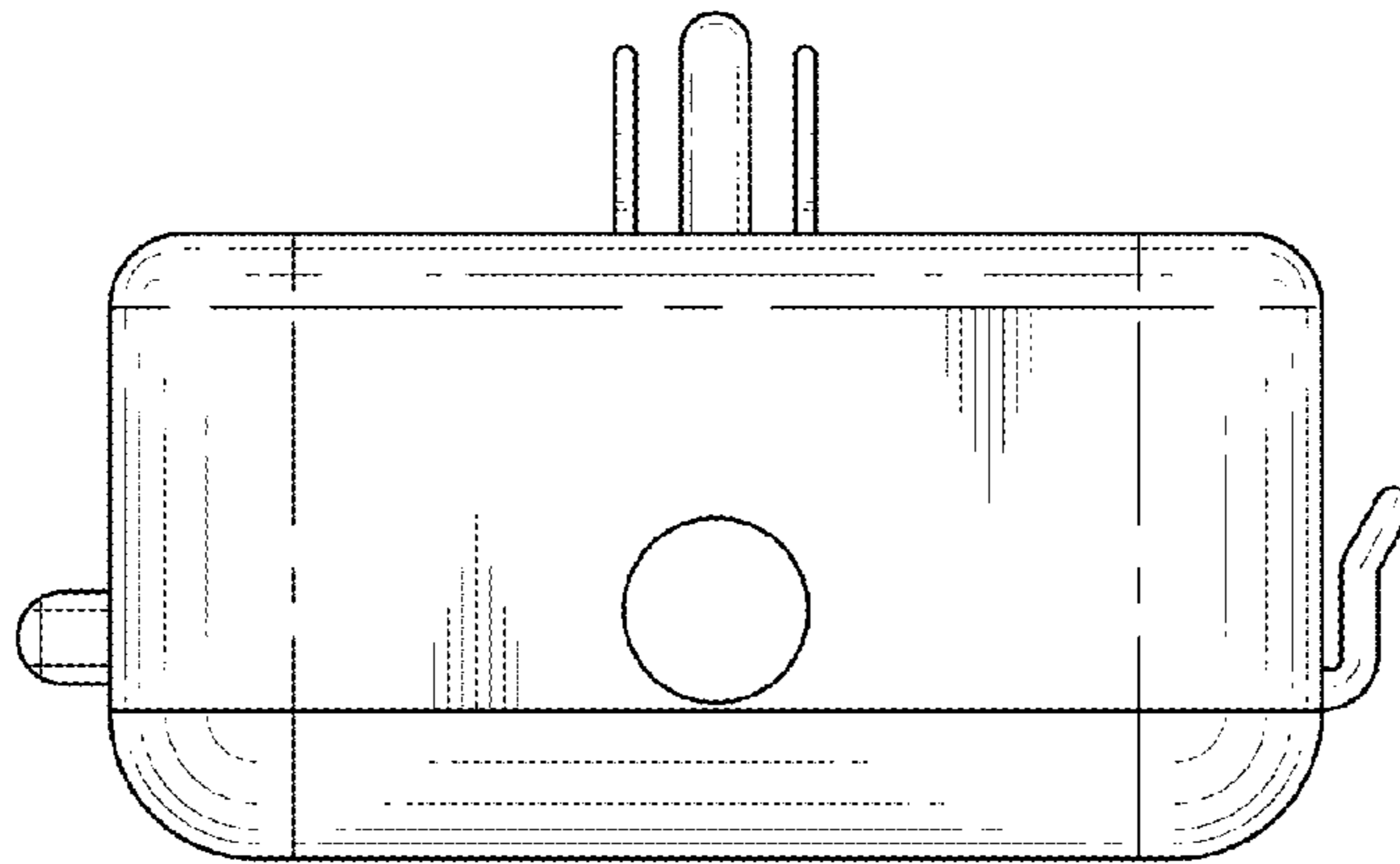


FIG. 7

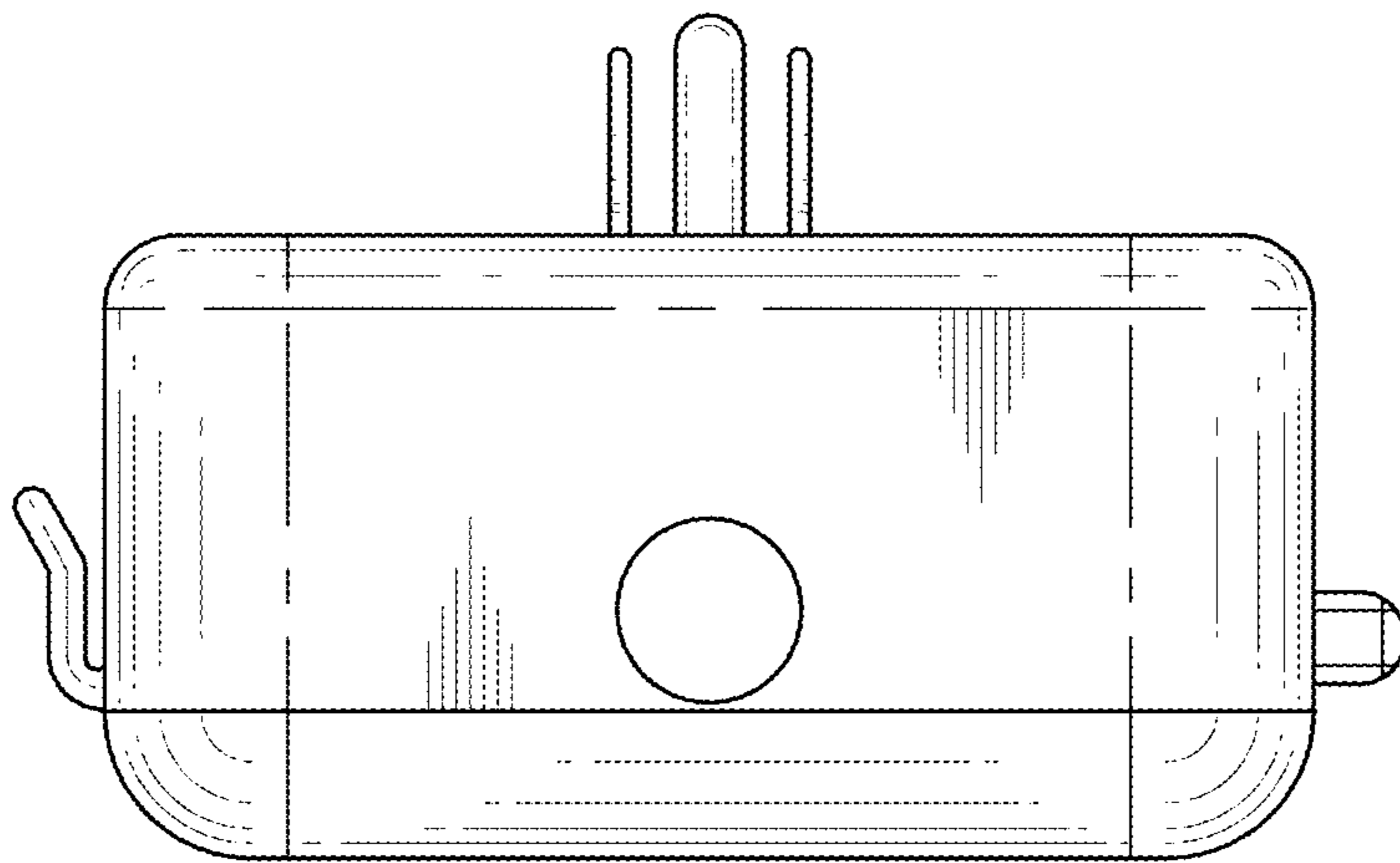


FIG. 8

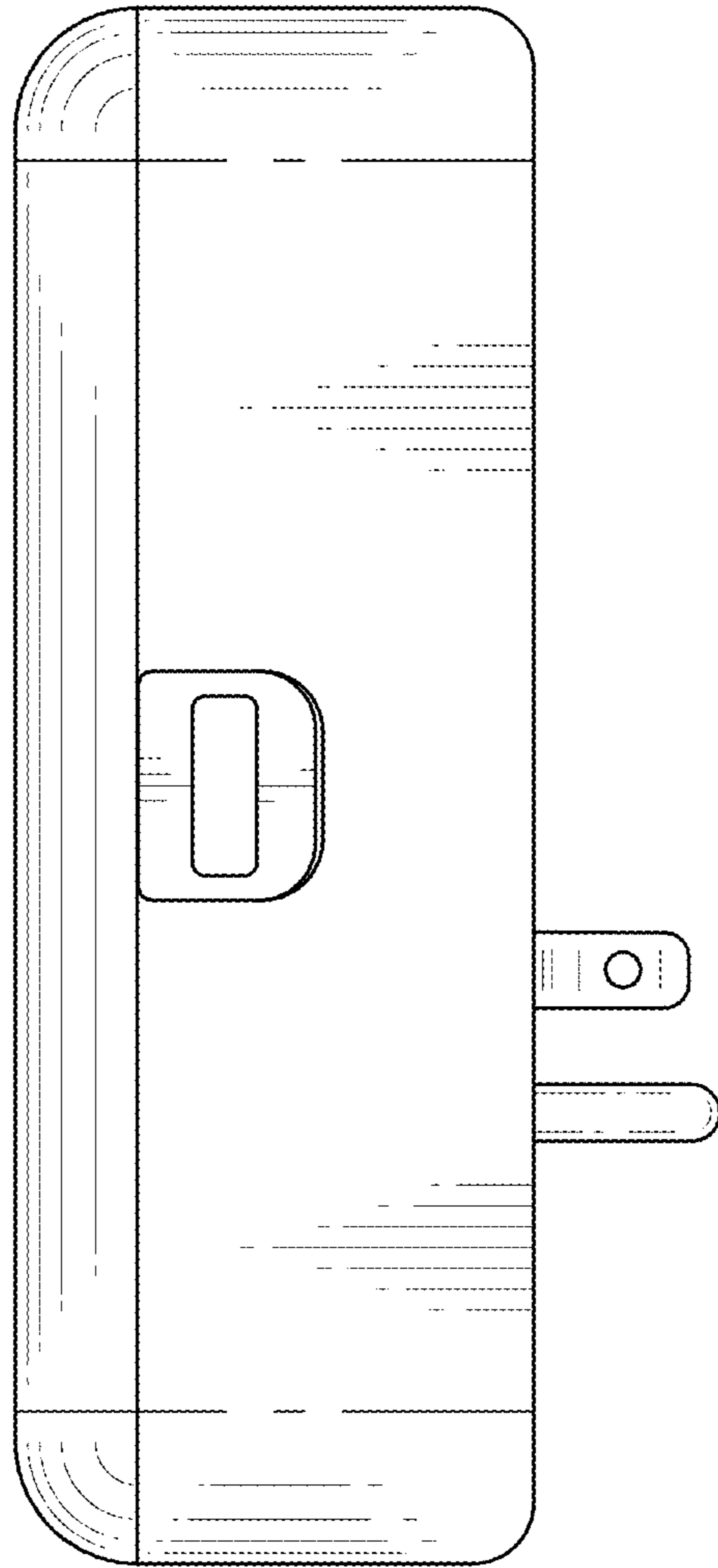


FIG. 9

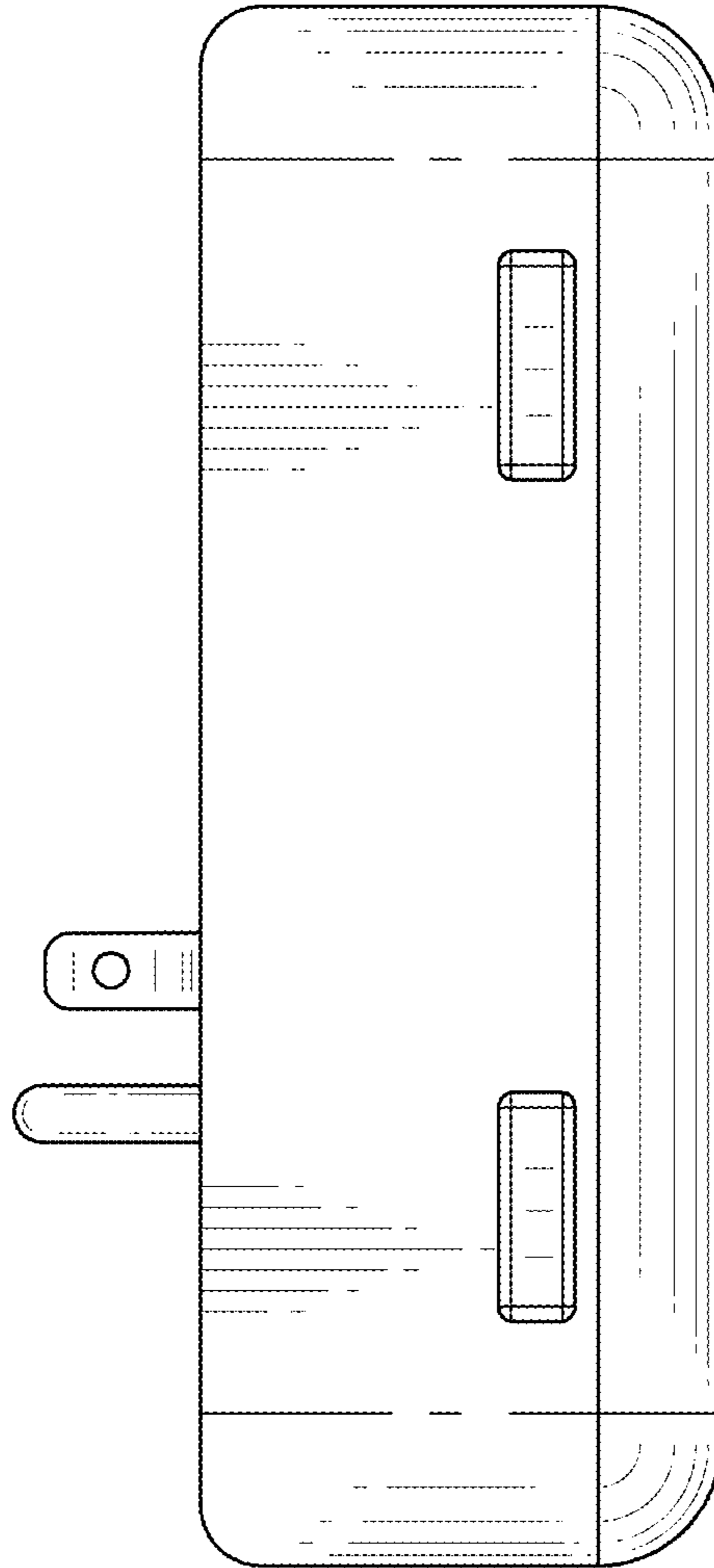


FIG. 10