



US00D765033S

(12) **United States Design Patent** (10) **Patent No.:** **US D765,033 S**
Oosterman et al. (45) **Date of Patent:** **** Aug. 30, 2016**

- (54) **ROTATING RECEPTACLE**
- (71) Applicant: **Douglas J. Oosterman**, Grand Rapids, MI (US)
- (72) Inventors: **Douglas J. Oosterman**, Grand Rapids, MI (US); **Gary R. Bacon**, Muskegon, MI (US); **Andras Kupfermann**, Grand Rapids, MI (US)
- (73) Assignee: **Douglas J. Oosterman**, Grand Rapids, MI (US)
- (**) Term: **14 Years**
- (21) Appl. No.: **29/511,239**
- (22) Filed: **Dec. 9, 2014**
- (30) **Foreign Application Priority Data**

- Jun. 26, 2014 (TW) 103303777
- (51) **LOC (10) Cl.** **13-03**
- (52) **U.S. Cl.**
USPC **D13/139.1**
- (58) **Field of Classification Search**
USPC D13/137.1, 137.2, 138.1, 138.2, 139.1, D13/108, 139.3, 110, 199, 152, 160, 146; 439/108, 131, 11, 214, 638, 640, 639, 439/124, 173; D8/358; 211/162
CPC H01R 13/506; H01R 13/514; H01R 25/006; H01R 27/002; H01R 35/04; H01R 13/6666
See application file for complete search history.

- (56) **References Cited**
- U.S. PATENT DOCUMENTS
- 5,292,257 A * 3/1994 Milan H01R 13/6666 439/214
- D442,066 S * 5/2001 Stekelenburg D8/358
- D443,250 S * 6/2001 Lee D13/139.8
- 6,427,857 B1 * 8/2002 Adams A47F 5/10 211/162
- D475,015 S * 5/2003 Shimojo D13/137.1
- D547,726 S * 7/2007 Ng D13/139.8

- D549,656 S * 8/2007 Hsiao D13/139.8
- 7,264,514 B2 * 9/2007 Hsu H01R 35/04 439/173
- D554,064 S * 10/2007 Ng D13/139.8
- D556,689 S * 12/2007 Lee D13/139.1
- D562,240 S * 2/2008 Lee D13/137.2
- D574,328 S * 8/2008 Chen D13/139.6
- D585,823 S * 2/2009 Guccione D13/108
- D587,654 S * 3/2009 Leen D13/139.2
- D597,948 S * 8/2009 Bizzell D13/139.1
- D614,134 S * 4/2010 Chen D13/137.2
- D617,274 S * 6/2010 Caplan D13/137.2
- D618,617 S * 6/2010 Lee D13/137.2
- 7,824,185 B2 * 11/2010 Chien H04N 7/181 439/11
- 7,874,856 B1 * 1/2011 Schriefer H01R 13/514 439/214
- 7,892,036 B2 * 2/2011 Lee H01R 13/506 439/638
- D636,336 S * 4/2011 Clark D13/137.2
- D640,199 S * 6/2011 Wilson D13/139.7
- D643,367 S * 8/2011 Castleberry D13/110

(Continued)

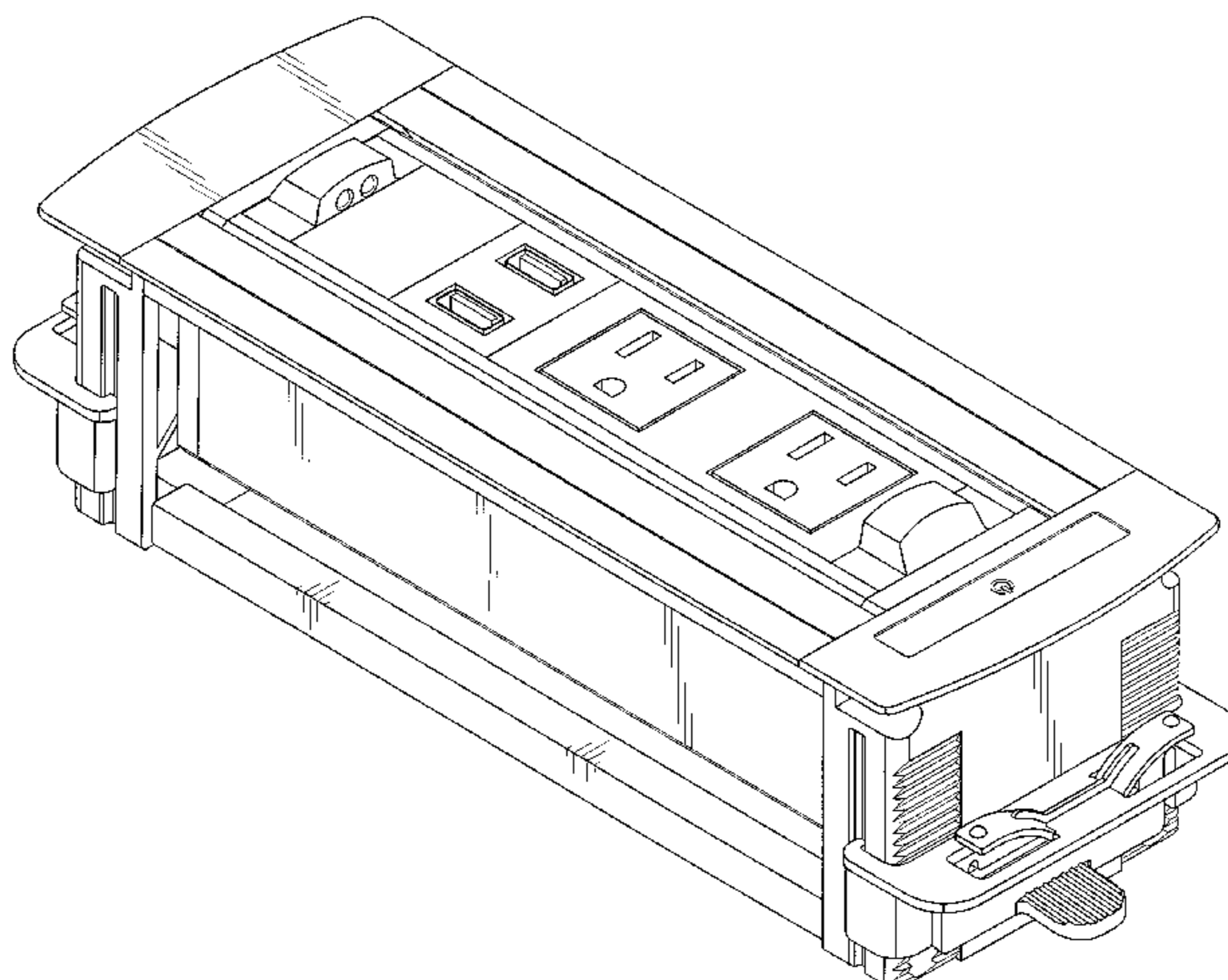
Primary Examiner — Holly Baynham
Assistant Examiner — Rhea Shields
 (74) *Attorney, Agent, or Firm* — Alan D. Kamrath; Kamrath IP Lawfirm, P.A.

(57) **CLAIM**
 The ornamental design for a rotating receptacle, as shown and described.

DESCRIPTION

FIG. 1 is a perspective view of a rotating receptacle showing my new design;
 FIG. 2 is a front side elevational view thereof;
 FIG. 3 is a rear side elevational view thereof;
 FIG. 4 is a left side elevational view thereof;
 FIG. 5 is a right side elevational view thereof;
 FIG. 6 is a top plan view thereof; and,
 FIG. 7 is a bottom plan view thereof.
 In the drawings, the broken lines are for the purpose of illustrating environment only and form no part of the claimed design.

1 Claim, 6 Drawing Sheets



(56)

References Cited

U.S. PATENT DOCUMENTS

D651,174 S * 12/2011 Le Clair D13/137.2
D651,977 S * 1/2012 Lee D13/139.1
D653,215 S * 1/2012 Lam D13/139.8
8,118,616 B1 * 2/2012 Clark H01R 25/006
439/640

D665,354 S * 8/2012 Chen D13/138.1
D667,795 S * 9/2012 Zien D13/139.4
D686,993 S * 7/2013 Millar-Sax D13/137.2
D718,714 S * 12/2014 Si D13/110
D729,639 S * 5/2015 Lin D10/40
2015/0380886 A1 * 12/2015 Oosterman H01R 27/02
439/639

* cited by examiner

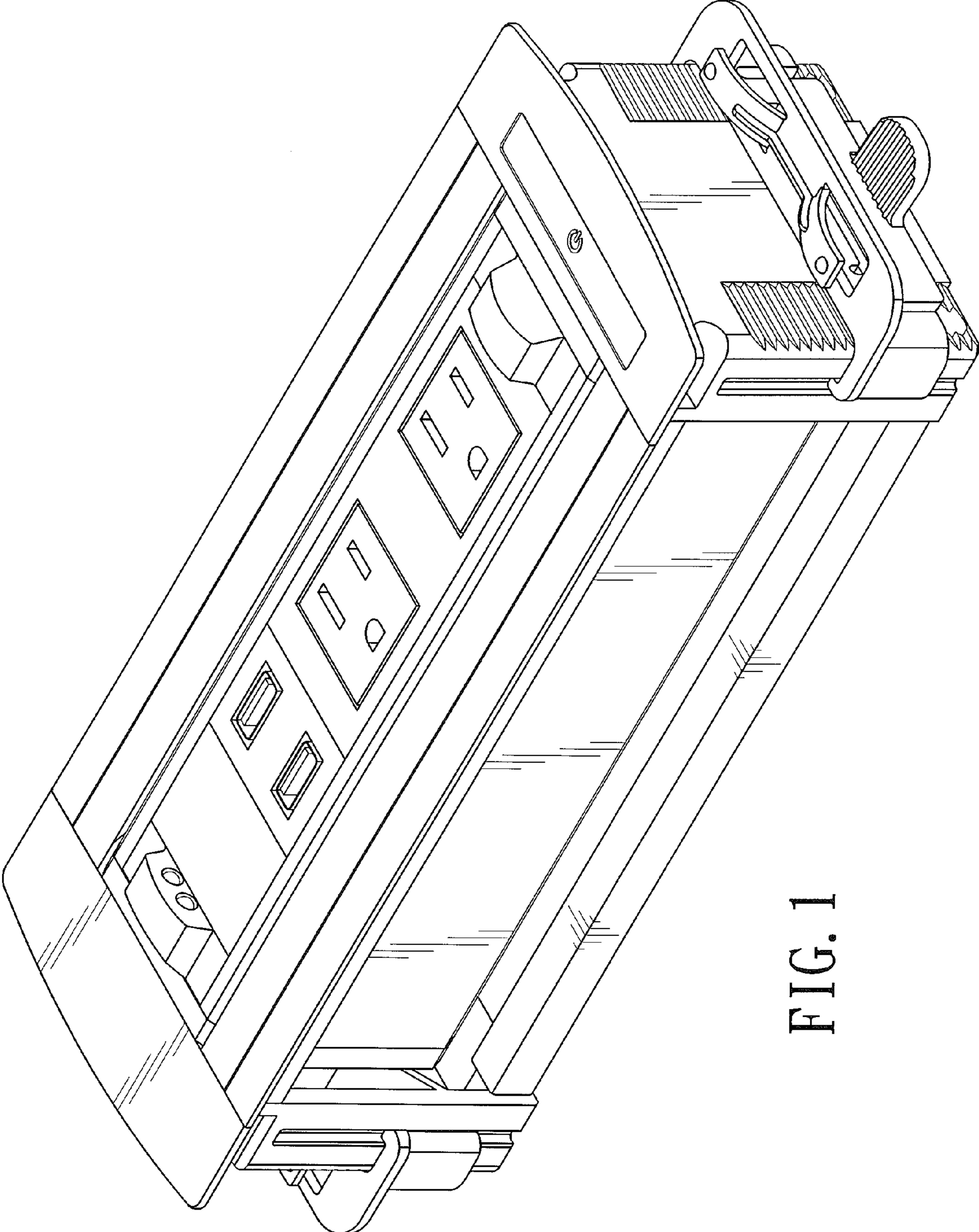


FIG. 1

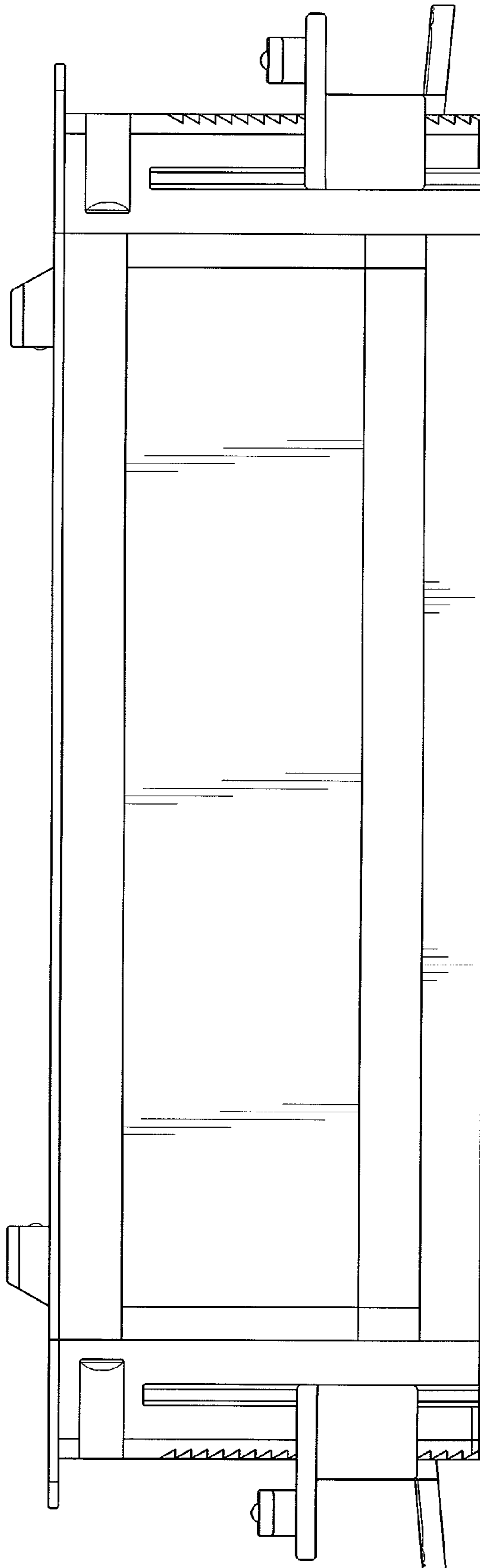


FIG. 2

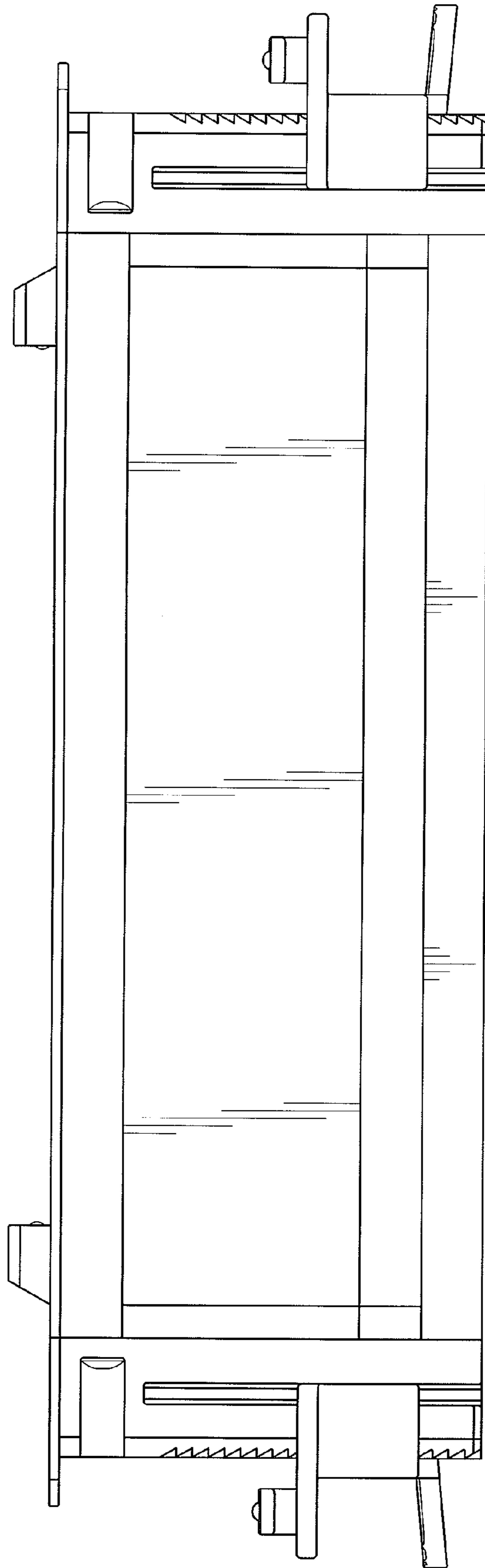


FIG. 3

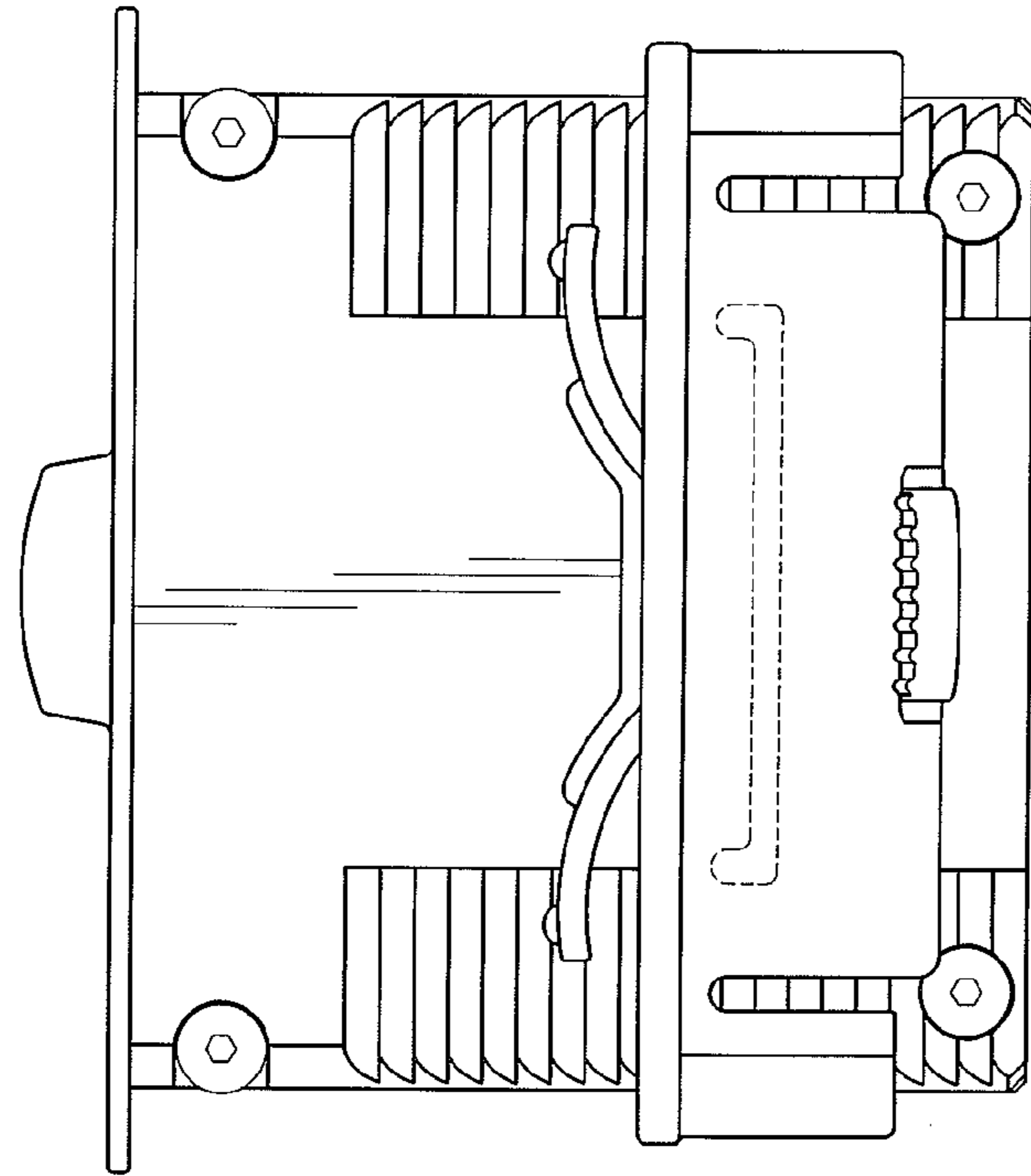


FIG. 5

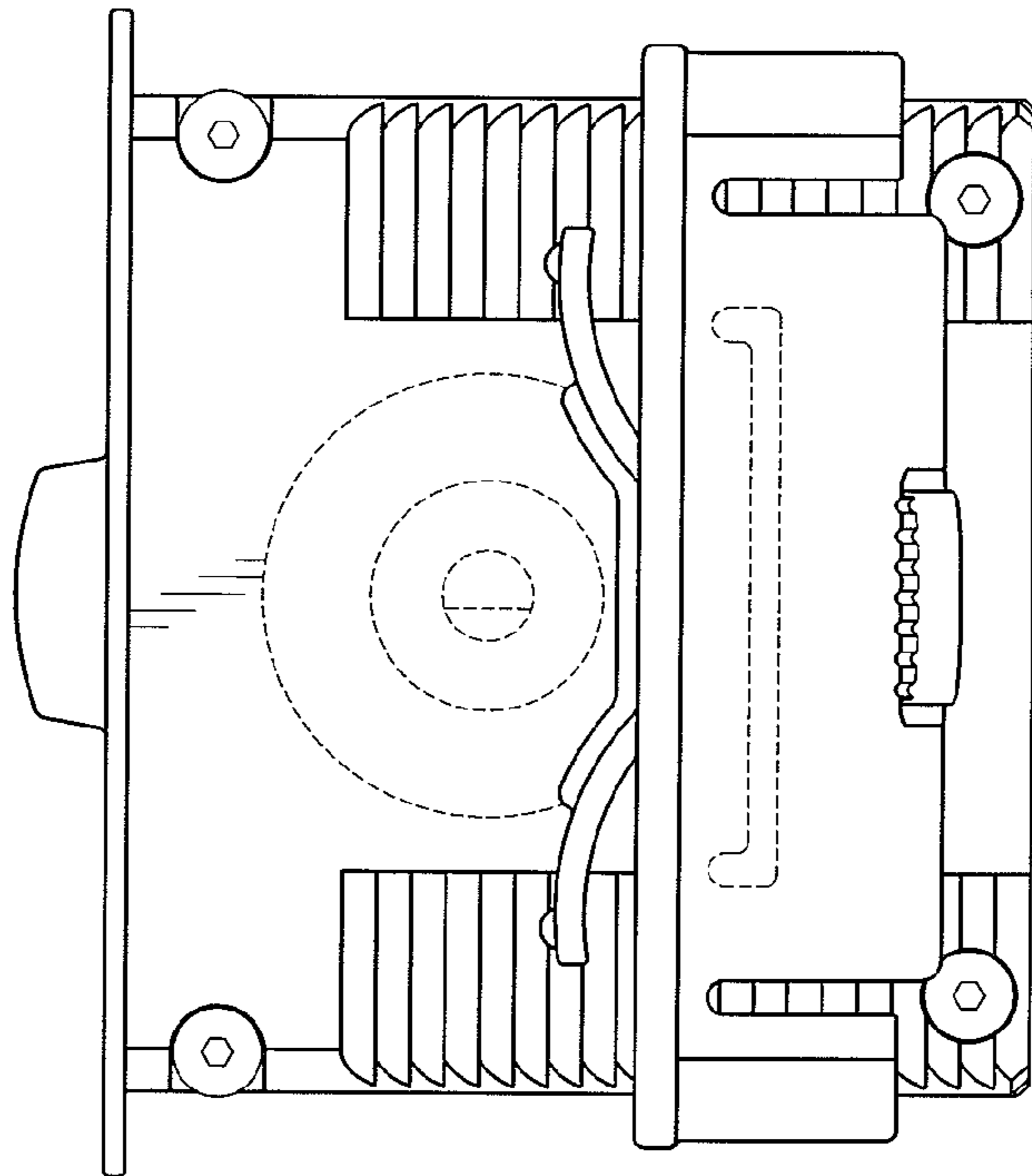


FIG. 4

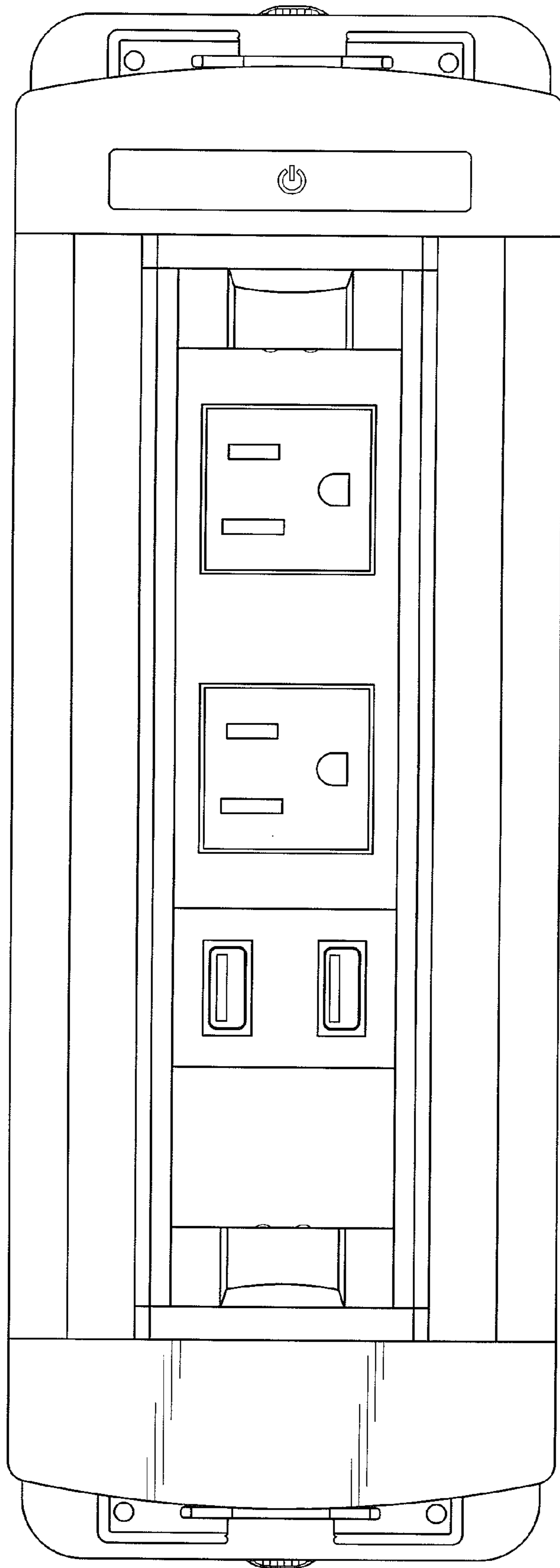


FIG. 6

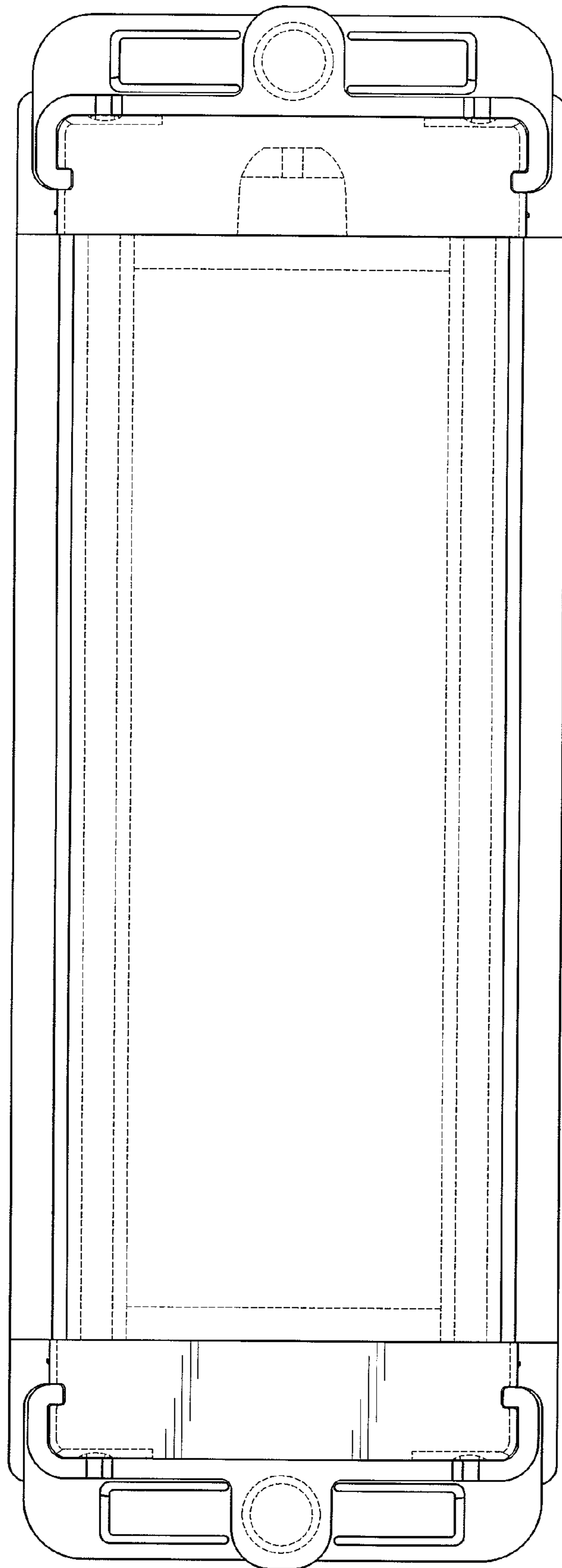


FIG. 7