



US00D765032S

(12) **United States Design Patent**
Zhu et al.

(10) **Patent No.:** **US D765,032 S**

(45) **Date of Patent:** **** Aug. 30, 2016**

(54) **FOUR PRONG PLUG**

(71) Applicants: **ZH Brothers International, Inc.**,
Granger, IN (US); **Jiande Yonghua**
Electrical Equipment Co., Ltd., Jiande
(CN)

(72) Inventors: **Guoqiang "Aston" Zhu**, Mishawaka,
IN (US); **Wanguang Wu**, Jiande (CN)

(73) Assignees: **ZH Brothers International, Inc.**,
Granger, IN (US); **Jiande Yonghua**
Electrical Equipment Co., Ltd., Jiande
(CN)

(**) Term: **14 Years**

(21) Appl. No.: **29/494,159**

(22) Filed: **Jun. 18, 2014**

(51) **LOC (10) Cl.** **13-03**

(52) **U.S. Cl.**
USPC **D13/138.1**

(58) **Field of Classification Search**
USPC D13/110, 118, 133, 137.1, 137.2, 137.3,
D13/137.4, 138.1, 138.2, 154, 156, 184,
D13/199; 439/625, 669, 691, 692, 694, 695
CPC H01R 24/00; H01R 24/28; H01R 31/00;
H01R 2103/00; H02M 5/00; H02M 5/02
See application file for complete search history.

(56) **References Cited**

U.S. PATENT DOCUMENTS

5,454,731 A * 10/1995 Dickie H01R 13/6335
439/484
D483,723 S * 12/2003 Adachi D13/139.7

6,986,665 B2 * 1/2006 Schauz H01R 13/622
439/13
D562,766 S * 2/2008 Yang D13/110
D592,139 S * 5/2009 Wu D13/138.2
D638,359 S * 5/2011 Atwell D13/138.2
D660,235 S * 5/2012 Liang-Hsu D13/138.2
D664,095 S * 7/2012 Benedict D13/138.2

* cited by examiner

Primary Examiner — Derrick Holland

(74) *Attorney, Agent, or Firm* — Botkin & Hall, LLP

(57) **CLAIM**

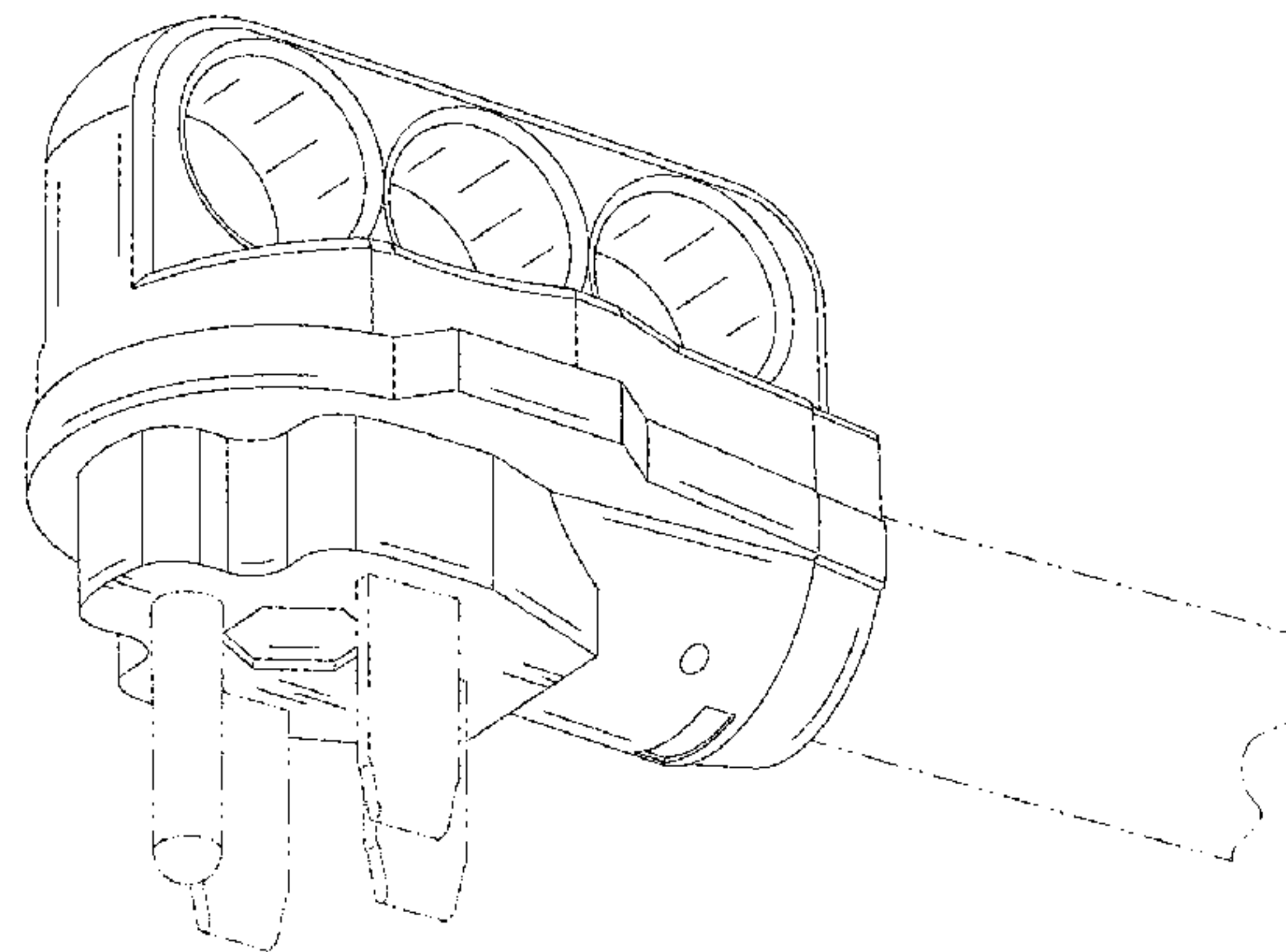
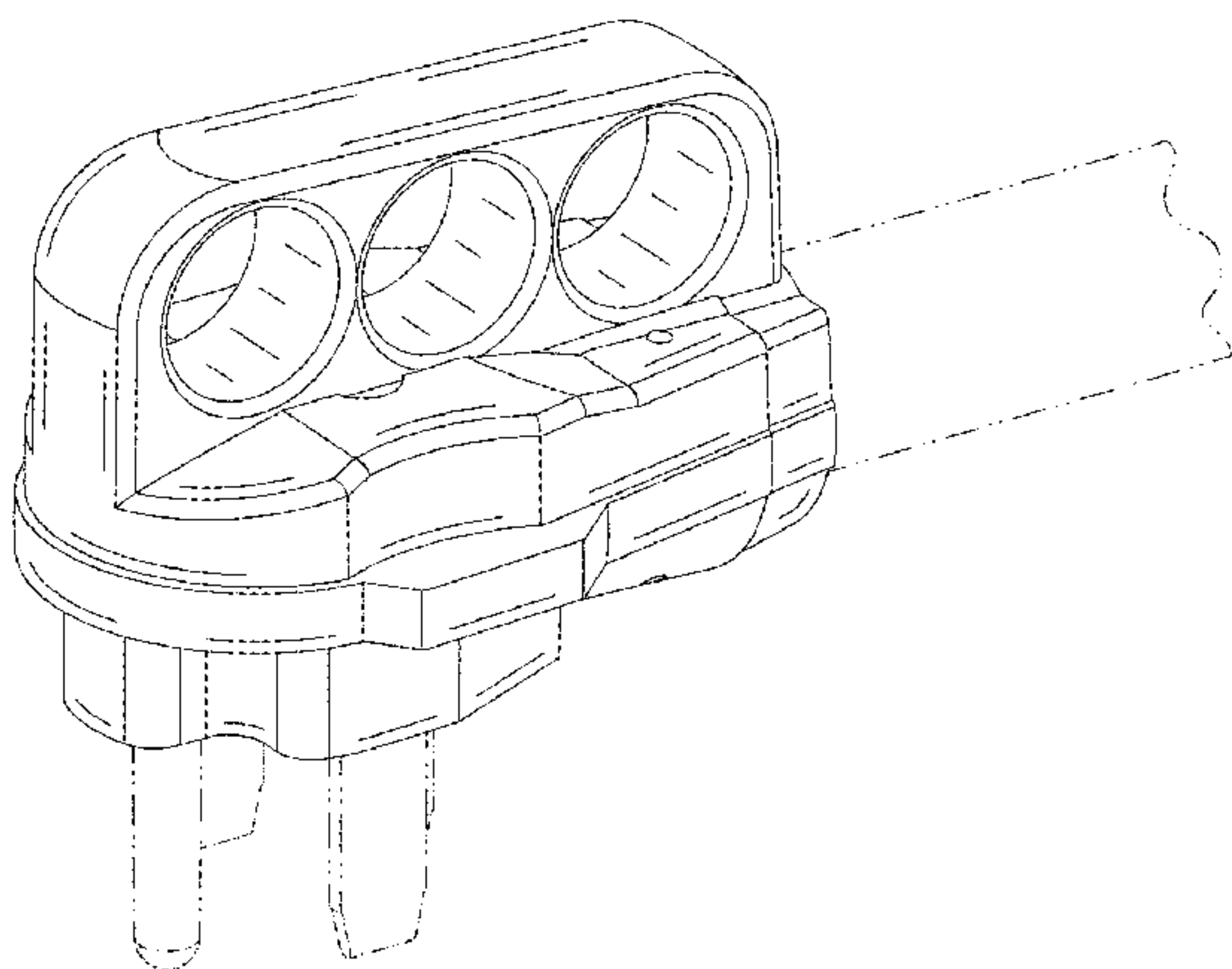
The ornamental design for a four prong plug, as shown and described.

DESCRIPTION

FIG. 1 is a top perspective view of a four prong plug;
FIG. 2 is a bottom perspective view of the four prong plug
of FIG. 1;
FIG. 3 is a left view of the four prong plug of FIG. 1;
FIG. 4 is a right view of the four prong plug of FIG. 1;
FIG. 5 is a front view of the four prong plug of FIG. 1;
FIG. 6 is a back view of the four prong plug of FIG. 1;
FIG. 7 is a top plan view of the four prong plug of FIG. 1;
and,
FIG. 8 is a bottom plan view of the four prong plug of FIG.
1.

The broken lines shown represent unclaimed subject matter
and form no part of the claimed design.

1 Claim, 4 Drawing Sheets



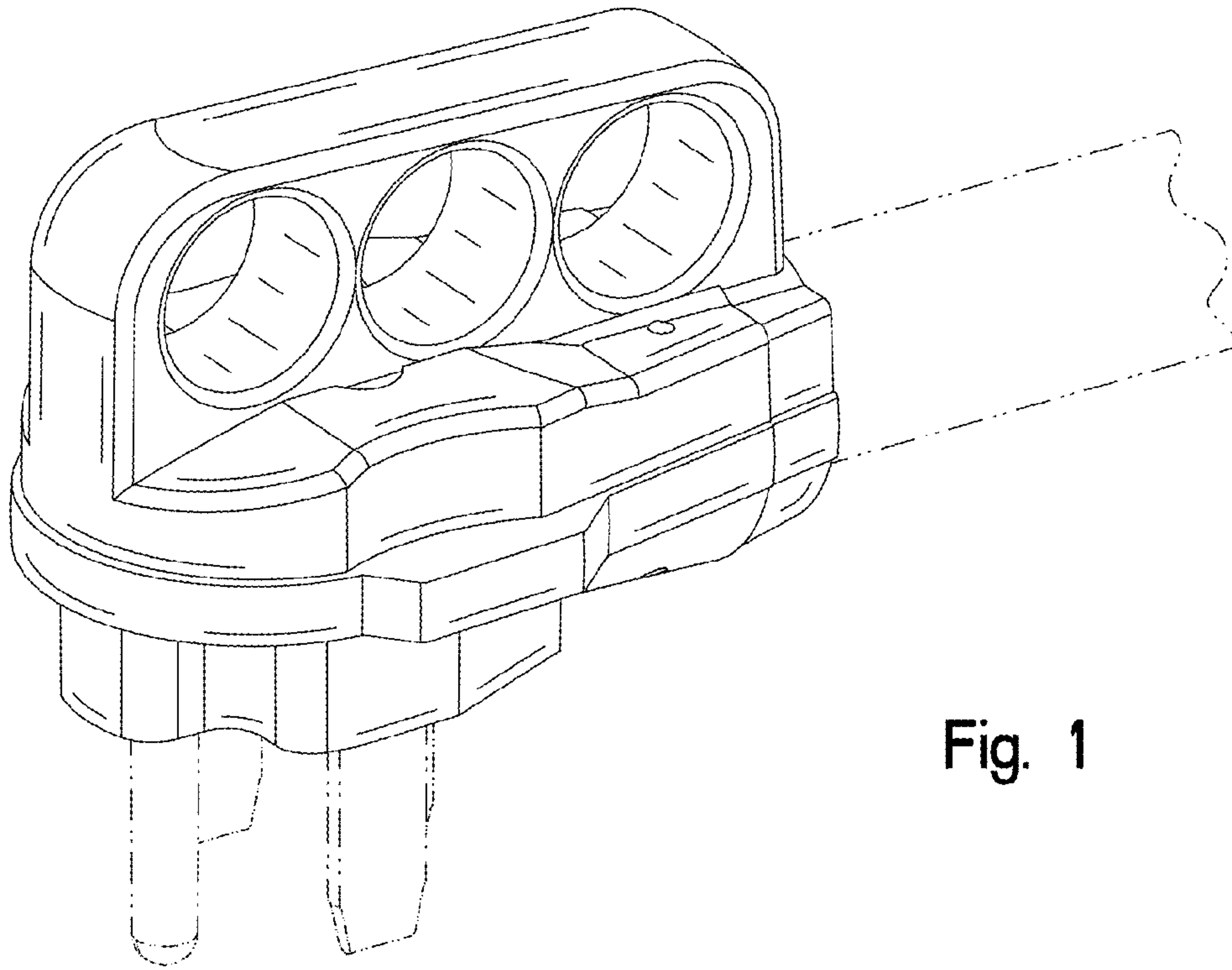


Fig. 1

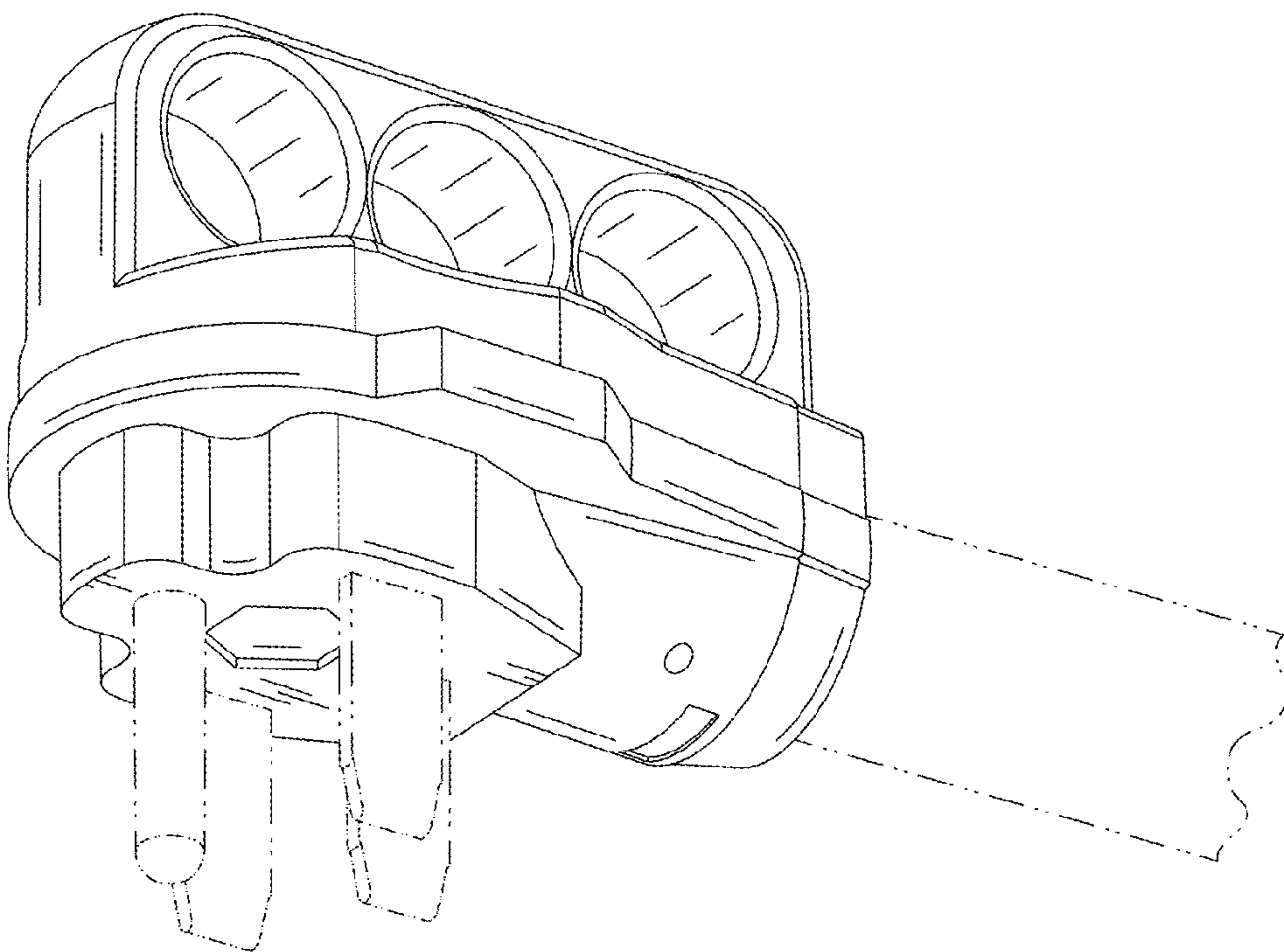


Fig. 2

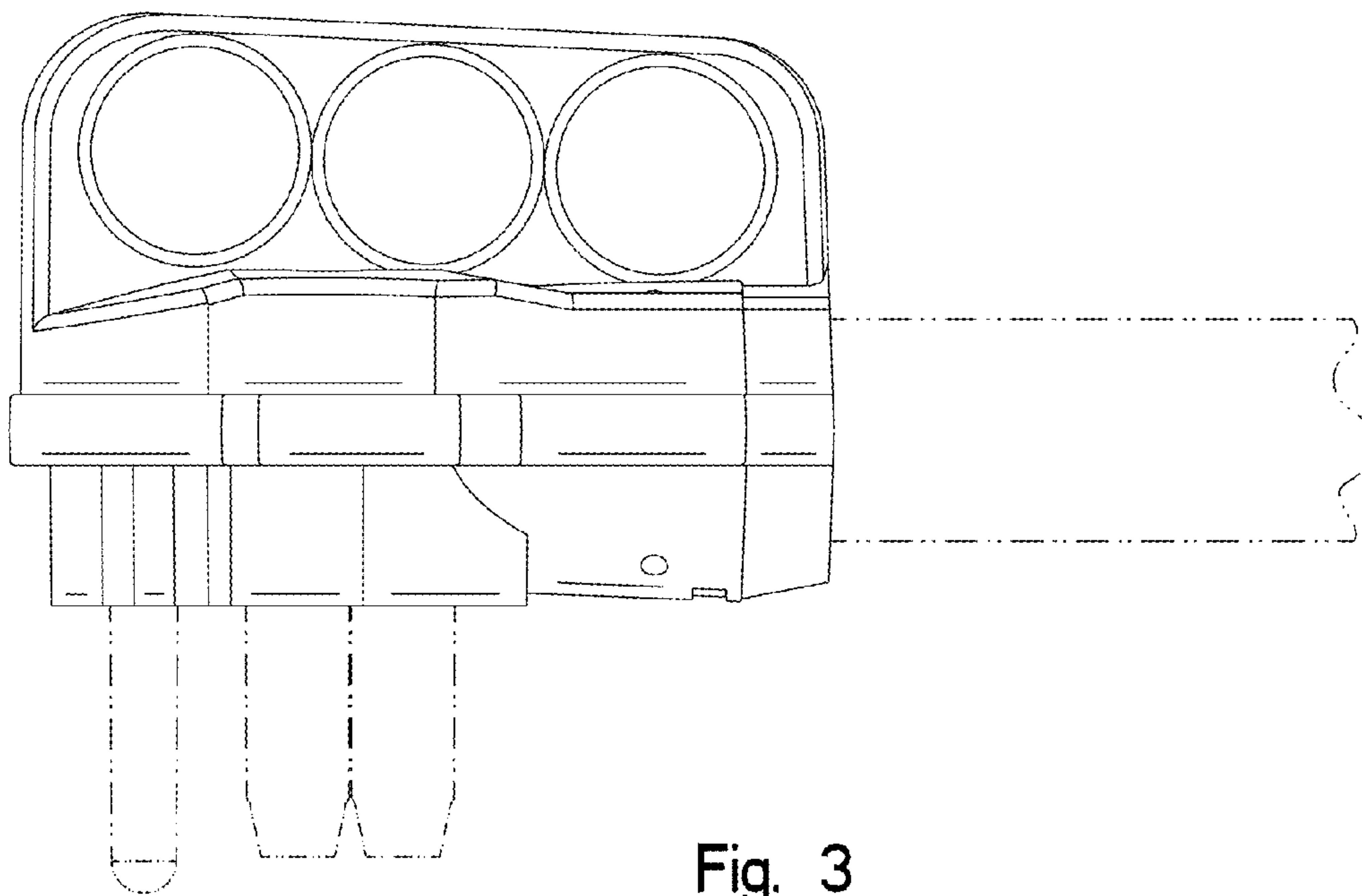


Fig. 3

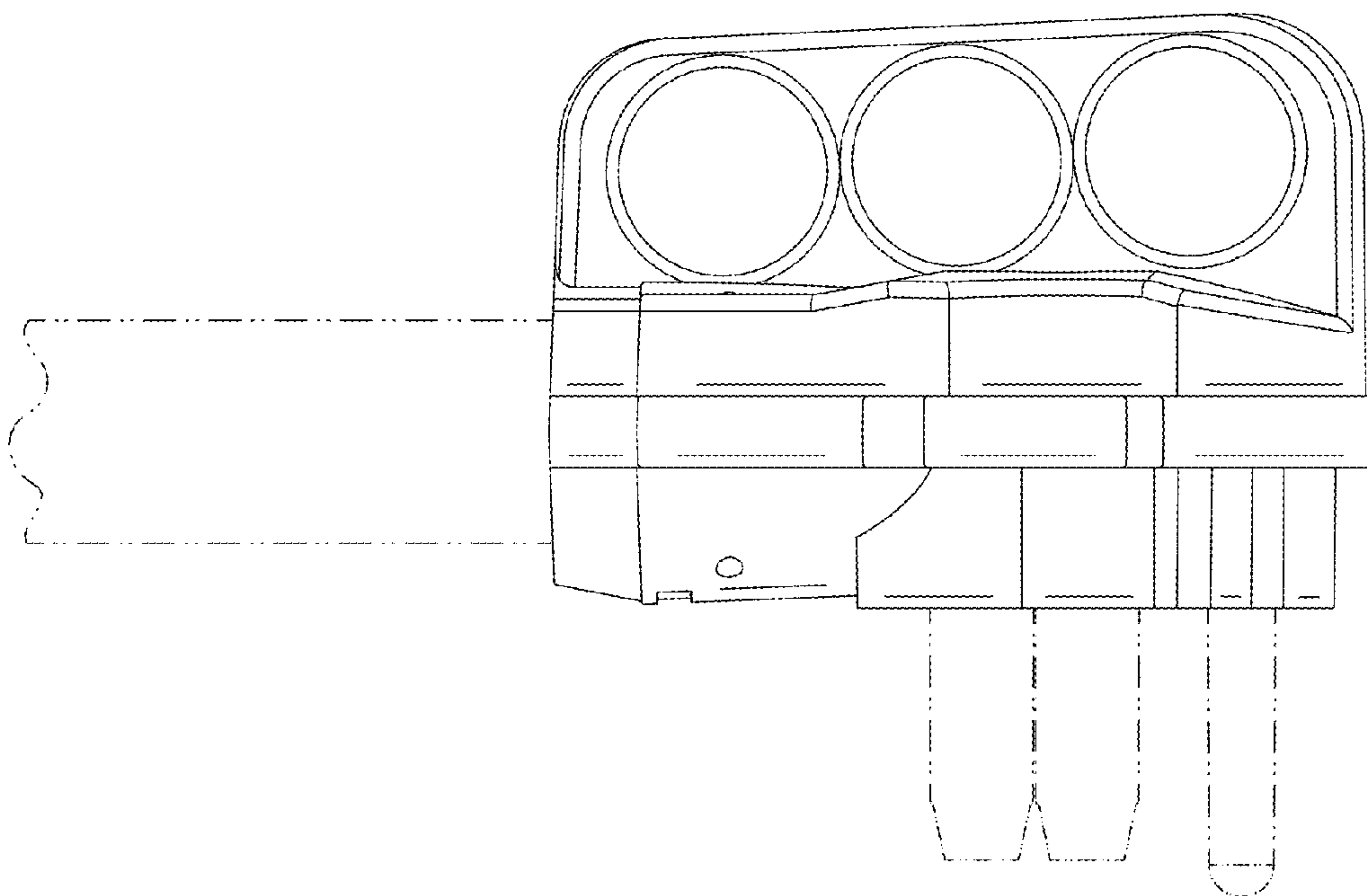


Fig. 4

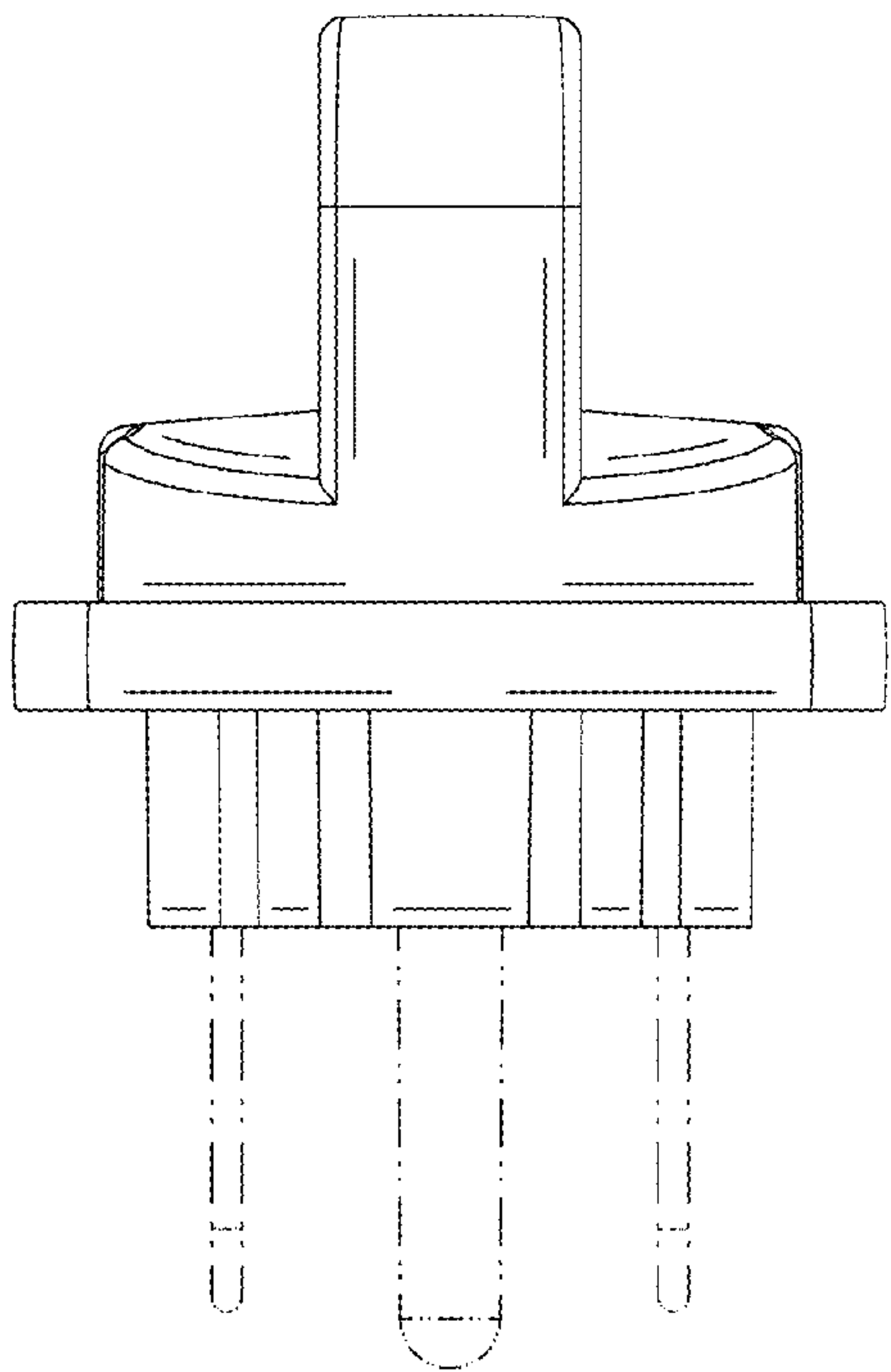


Fig. 5

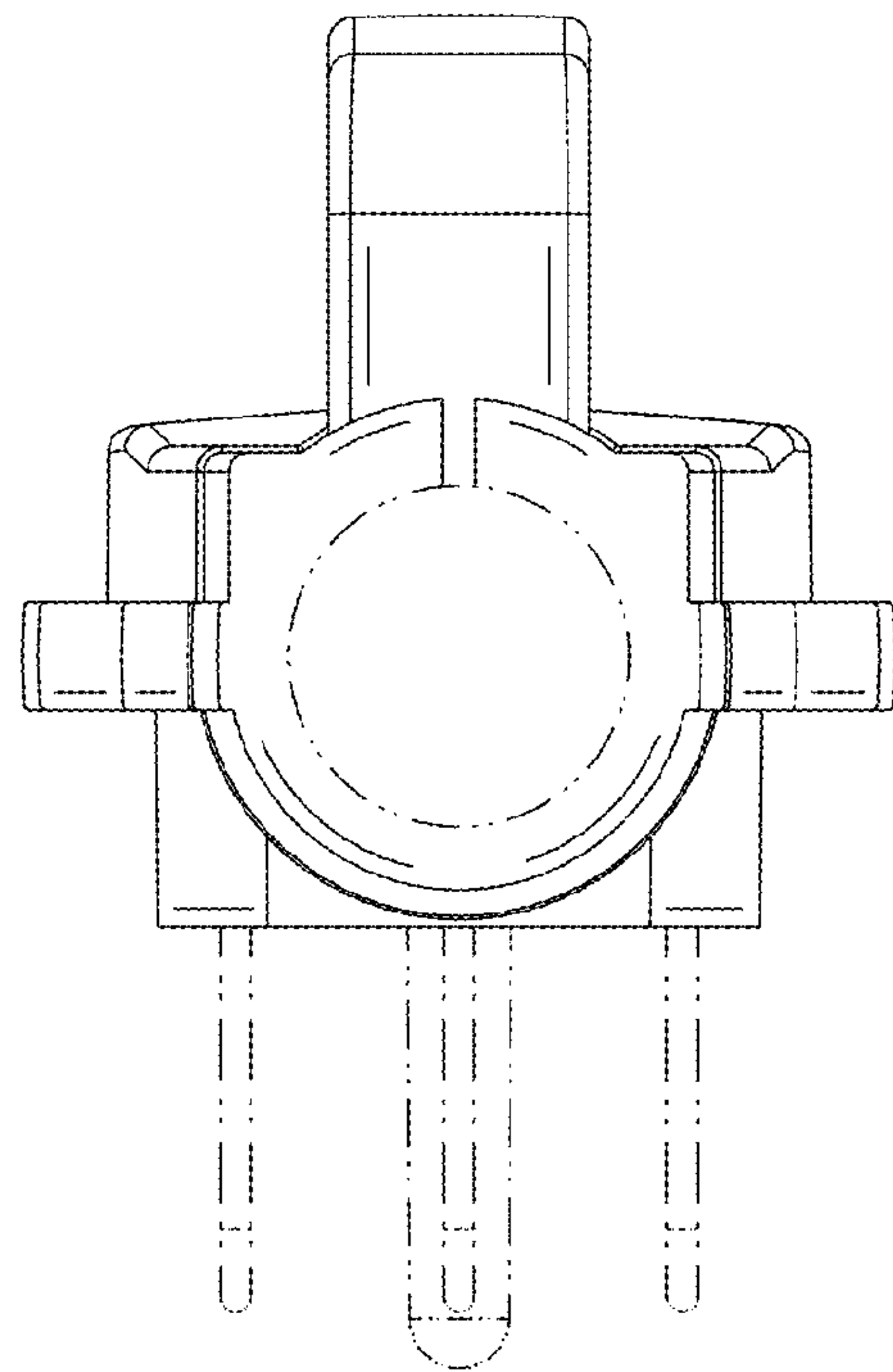


Fig. 6

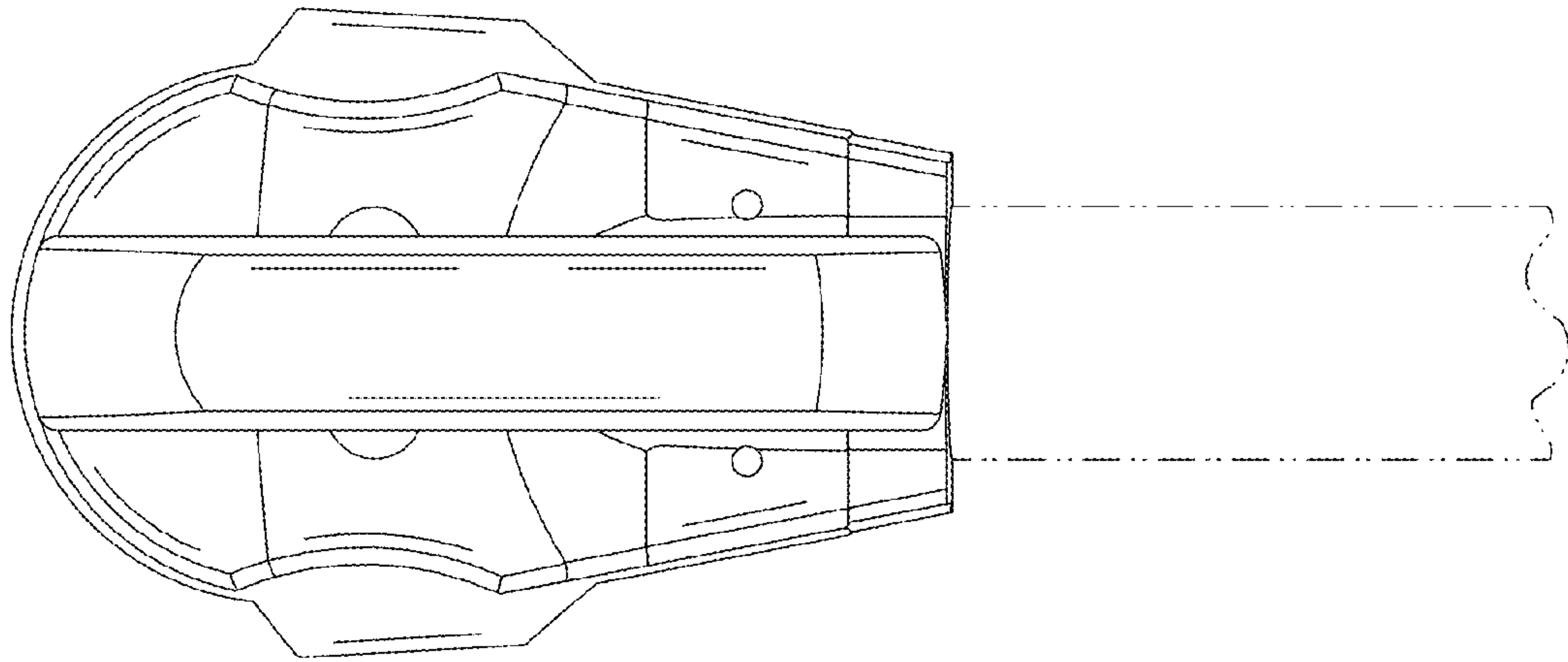


Fig. 7

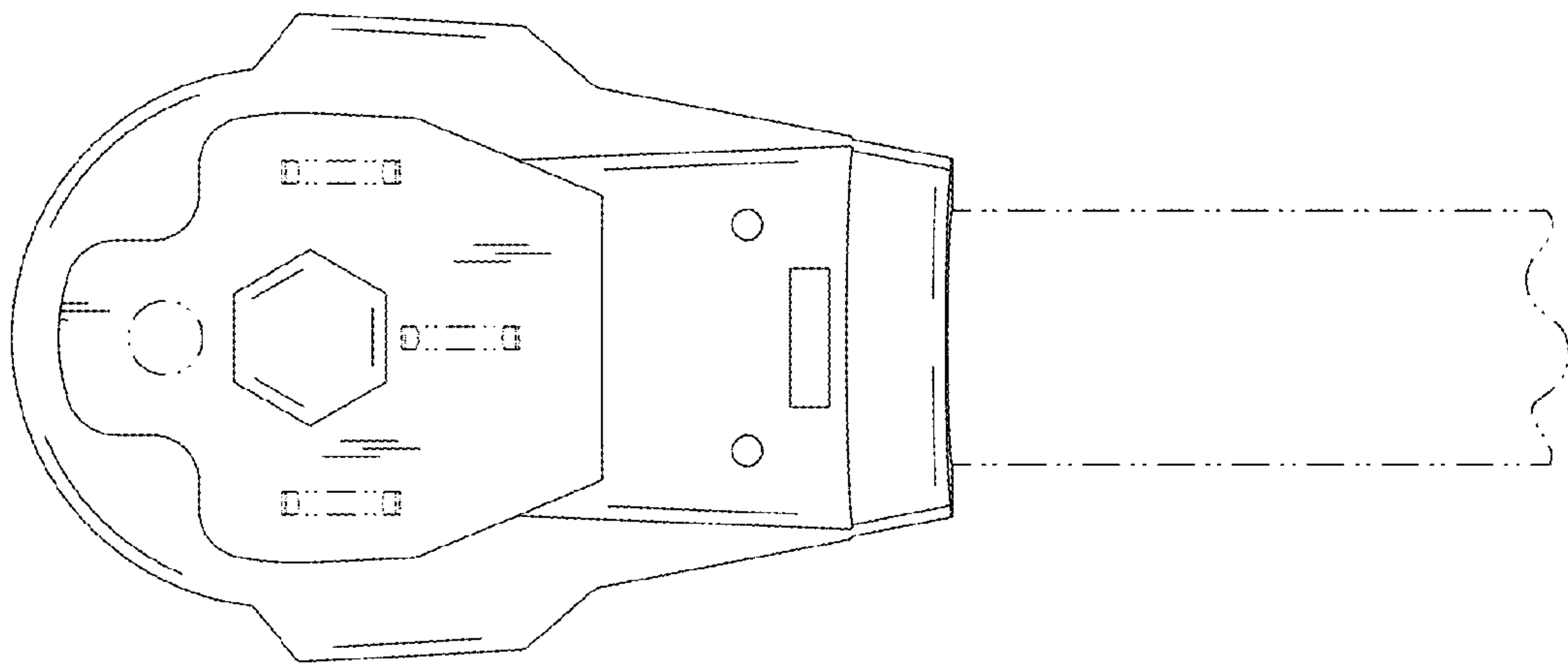


Fig. 8