



US00D765029S

(12) **United States Design Patent** (10) **Patent No.:** **US D765,029 S**
Buller (45) **Date of Patent:** **** Aug. 30, 2016**

(54) **TRANSPARENT COVER FOR A BATTERY COMPARTMENT**
(71) Applicant: **Jonathan Blake Buller**, Temecula, CA (US)
(72) Inventor: **Jonathan Blake Buller**, Temecula, CA (US)
(**) Term: **14 Years**
(21) Appl. No.: **29/500,938**
(22) Filed: **Aug. 29, 2014**
(51) **LOC (10) Cl.** **13-01**
(52) **U.S. Cl.**
USPC **D13/119**

(58) **Field of Classification Search**
USPC D13/102–110, 118–119, 184, 199;
D14/356, 432, 240; 320/103, 111–115,
320/135, 138, 140; 429/96–100, 163, 176
CPC Y02E 60/10; Y02E 60/12; Y02E 60/122;
Y02E 60/124; Y02E 60/50; H01M 2/02;
H01M 2/022; H01M 2/0202; H01M 2/0207;
H01M 2/0212; H01M 2/1061; H01M 2/1022;
H01M 2/1055; H01M 2/1066; H01M 2/105;
H01M 2/20; H01M 2/202; H01M 2/204;
H01M 2/206; H01M 10/44; H01M 10/46;
H01M 10/465; H01M 10/482; H01M
10/4257; H01M 10/0436; H01M 10/48;
H01M 2200/30; H01M 2250/30; H01M
2250/40; H02J 7/00; H02J 7/0003; H02J
7/0011; H02J 7/0013; H02J 7/0054; H02J
7/0055; H02J 7/0057; H02J 2007/0062
See application file for complete search history.

(56) **References Cited**
U.S. PATENT DOCUMENTS

D375,932 S * 11/1996 Nagele D13/103
D398,580 S 9/1998 Richards
D468,260 S 1/2003 Lee
D485,531 S * 1/2004 Liao D13/119
D505,944 S * 6/2005 Watanabe D13/103

D603,855 S * 11/2009 Nuovo D13/103
D637,153 S 5/2011 Ikeda et al.
D637,157 S * 5/2011 Andre D13/103
D669,868 S 10/2012 Bacchus
D683,700 S * 6/2013 Ferrari D13/119
D685,738 S * 7/2013 Moore D13/119
D685,739 S * 7/2013 Moore D13/119
D685,740 S * 7/2013 Moore D13/119
D700,583 S 3/2014 Bacchus
D730,276 S * 5/2015 Wang D13/102
D743,402 S * 11/2015 Ehara D14/432
D743,403 S * 11/2015 Ehara D14/432
D750,020 S * 2/2016 Song D13/108
2003/0027042 A1 * 2/2003 Huang H01M 2/105
429/176
2011/0195289 A1 * 8/2011 Ouyang H01M 2/1022
429/97
2011/0293981 A1 * 12/2011 Fang H04M 1/18
429/100

* cited by examiner

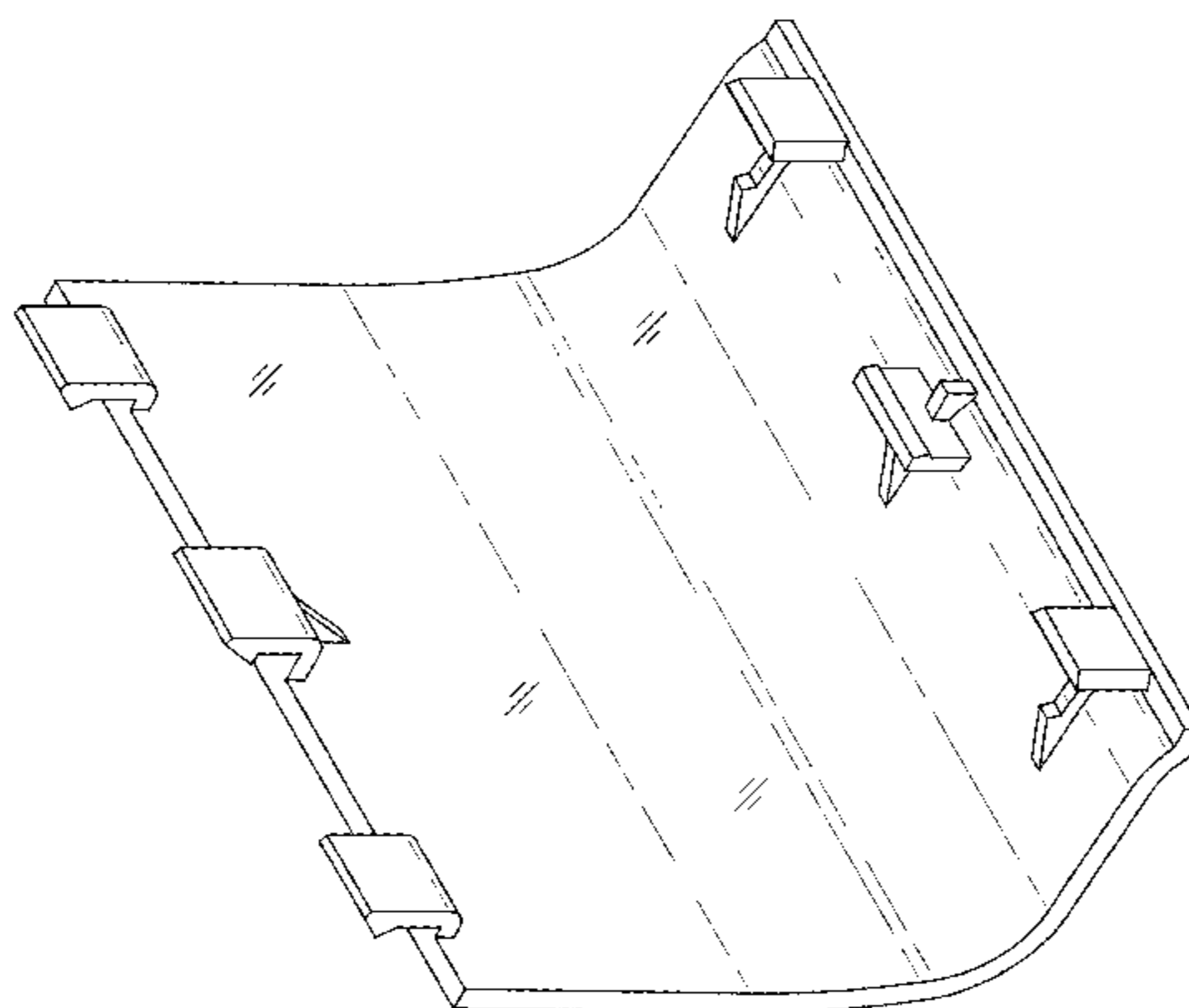
Primary Examiner — Rosemary K Tarcza
Assistant Examiner — Sanjeev Paul
(74) *Attorney, Agent, or Firm* — Kirk A. Buhler; Buhler & Associates

(57) **CLAIM**
The ornamental design for a transparent cover for a battery compartment, as shown and described.

DESCRIPTION

FIG. 1 is a top rear perspective view for a transparent cover for a battery compartment showing my new design;
FIG. 2 is a left side view thereof;
FIG. 3 is a right side view thereof;
FIG. 4 is a top side view thereof;
FIG. 5 is a front side view thereof;
FIG. 6 is a bottom side view thereof;
FIG. 7 is a rear side view thereof, and
FIG. 8 is a bottom left perspective view thereof; and,
FIG. 9 is a top left perspective view.
The broken lines in FIG. 9 show the environmental feature of batteries visible through the cover and forms no part of the claimed design.

1 Claim, 5 Drawing Sheets



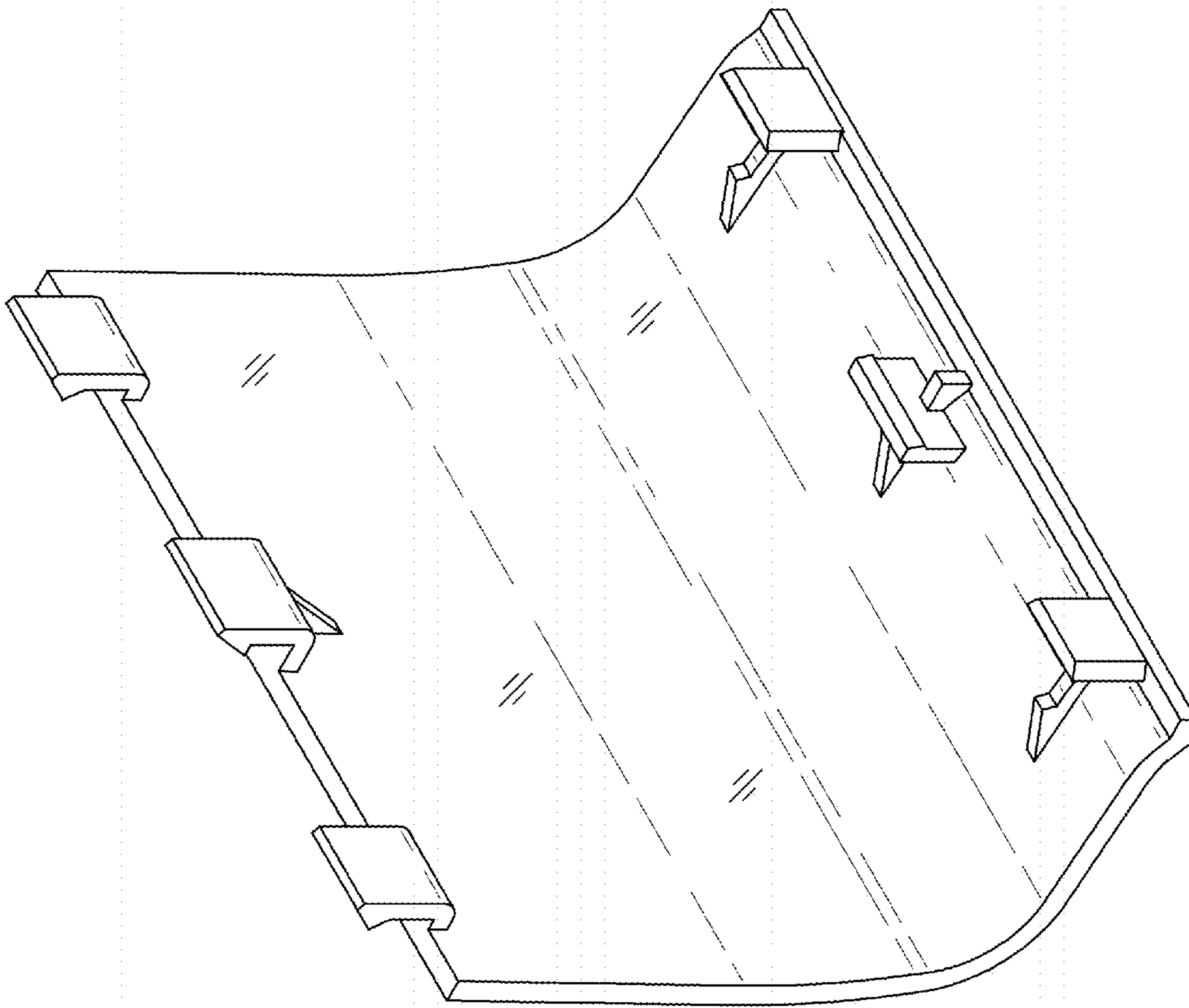


FIG. 1



FIG. 2

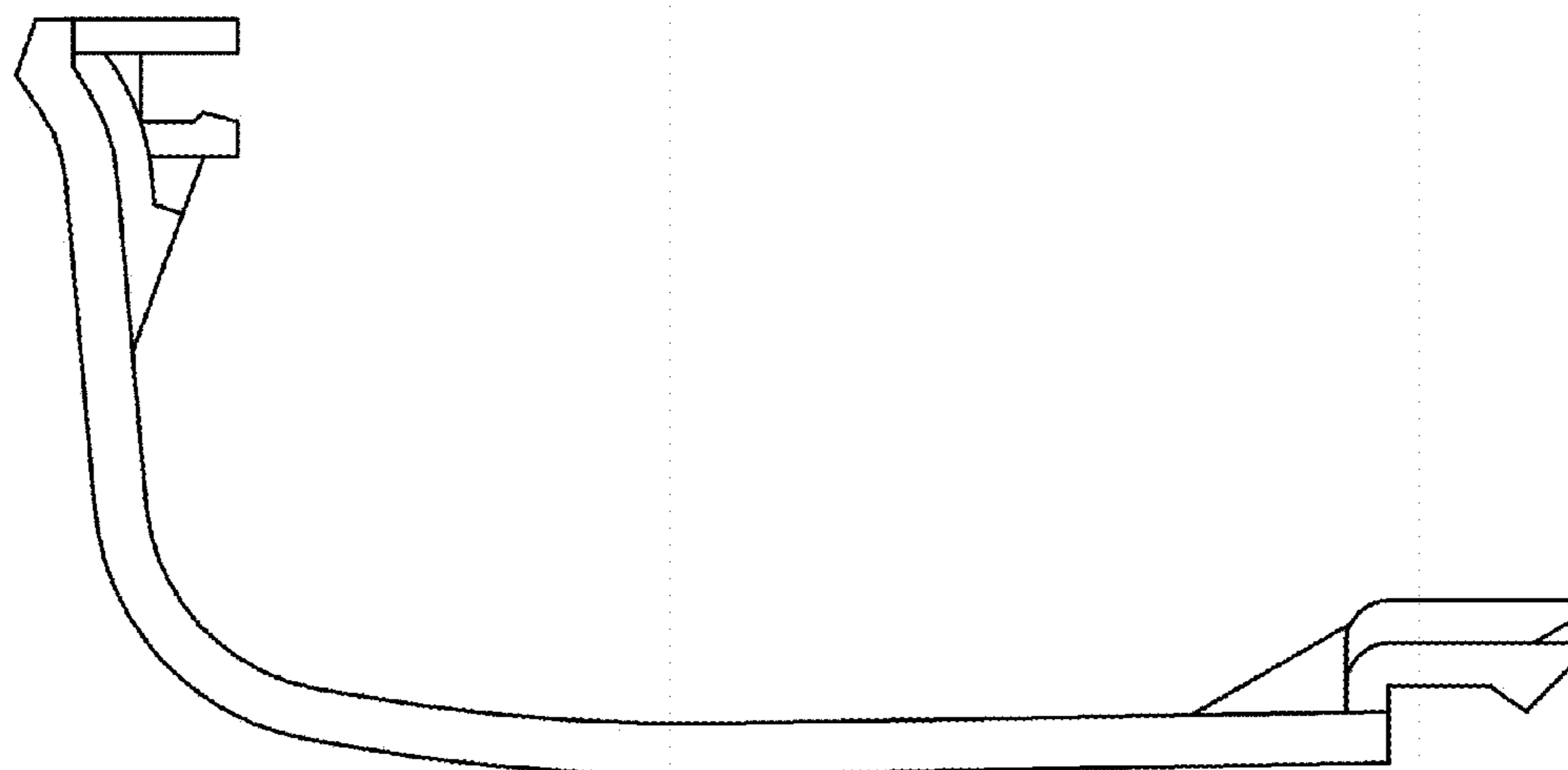


FIG. 3

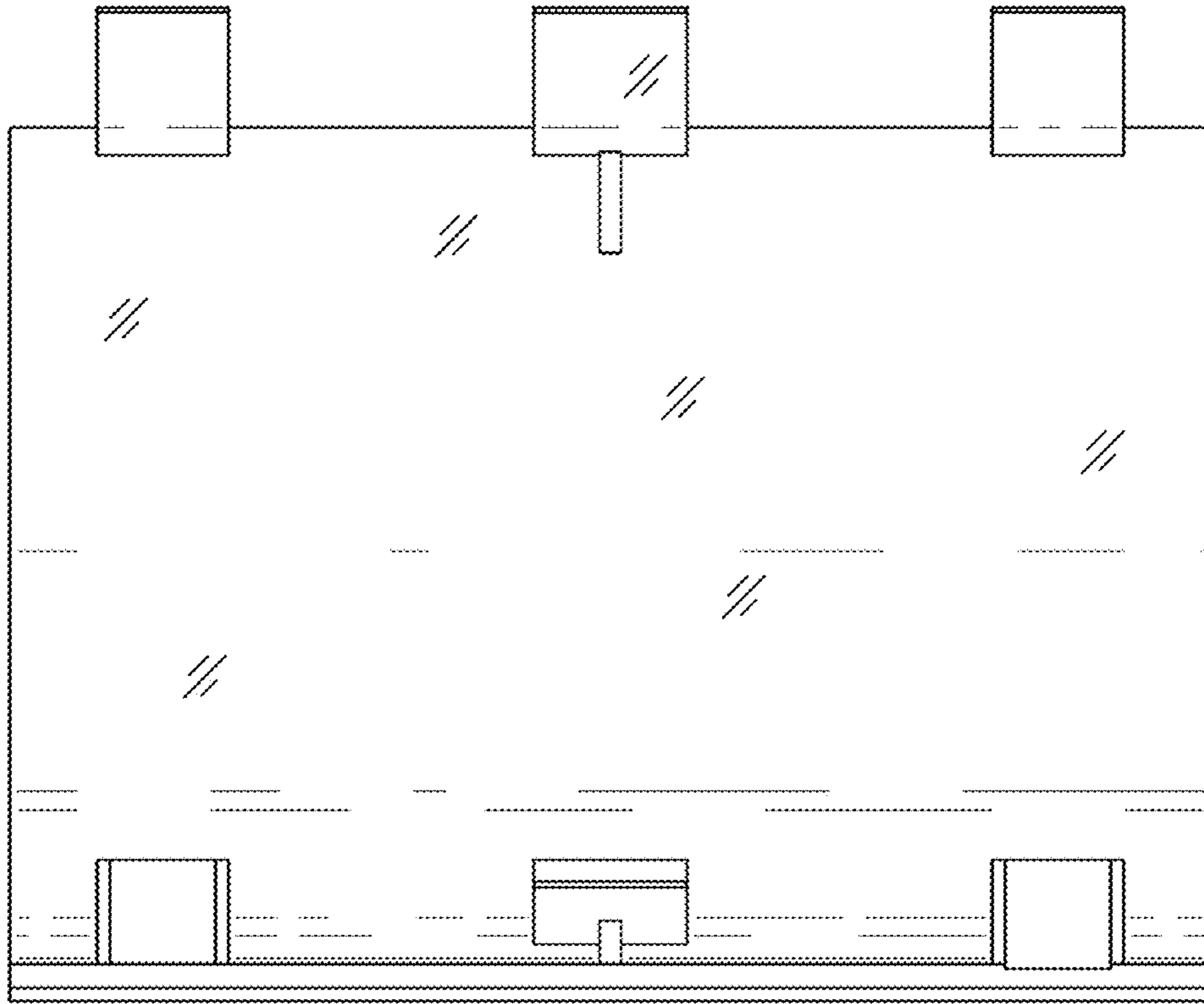


FIG. 4

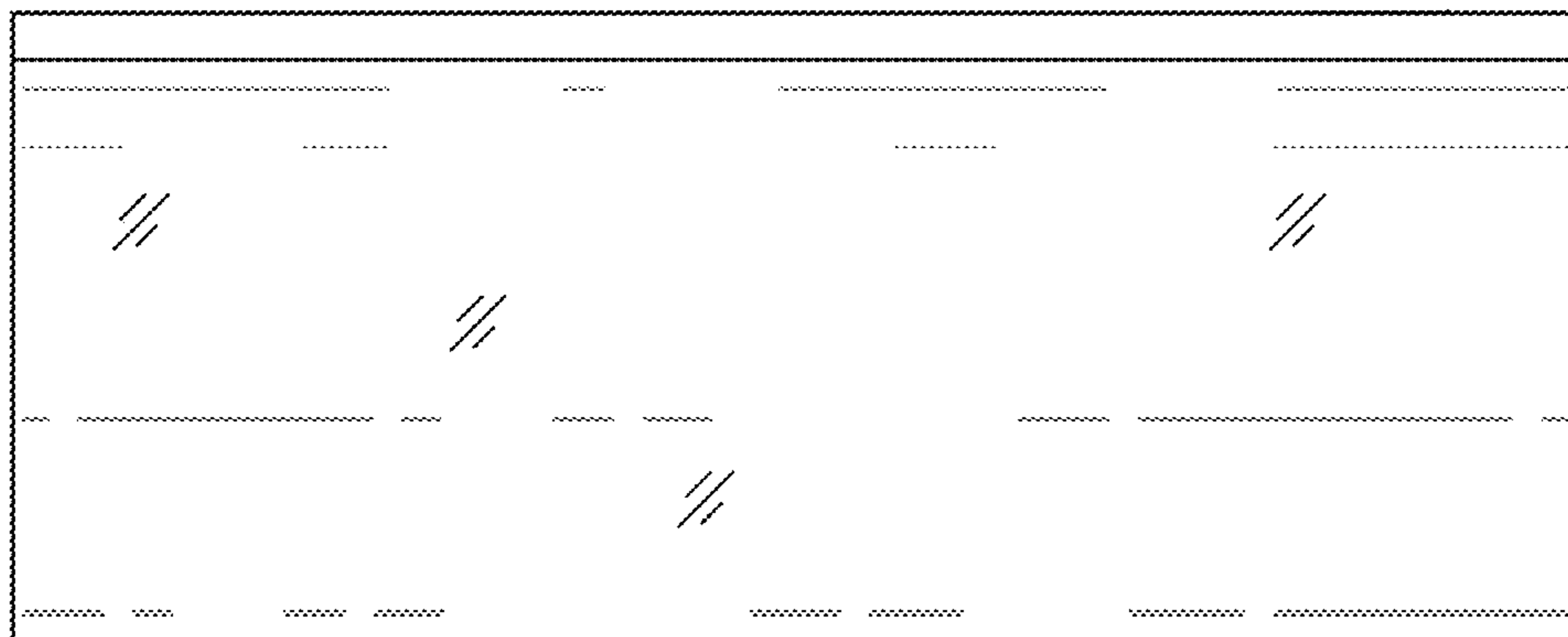


FIG. 5

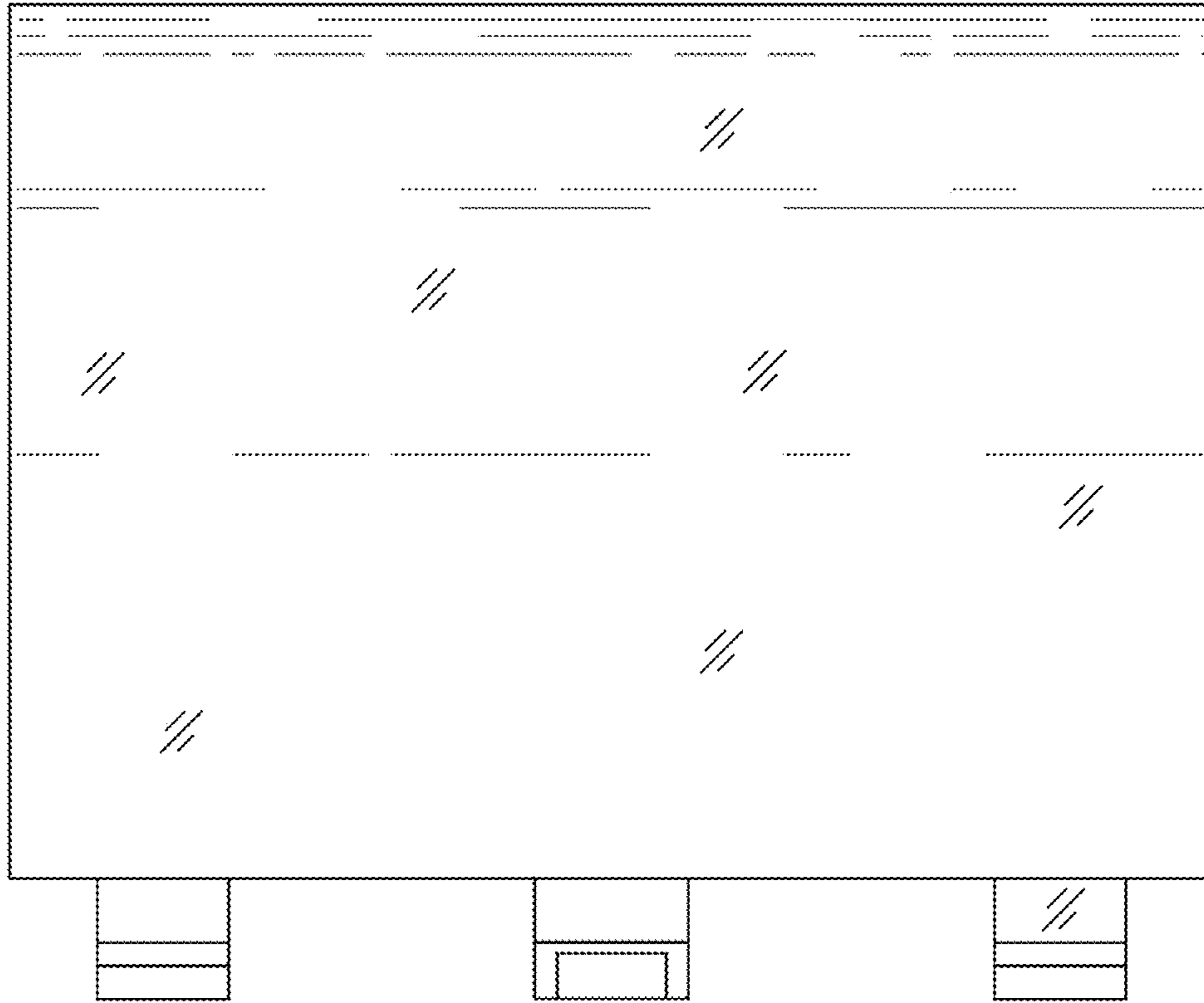


FIG. 6

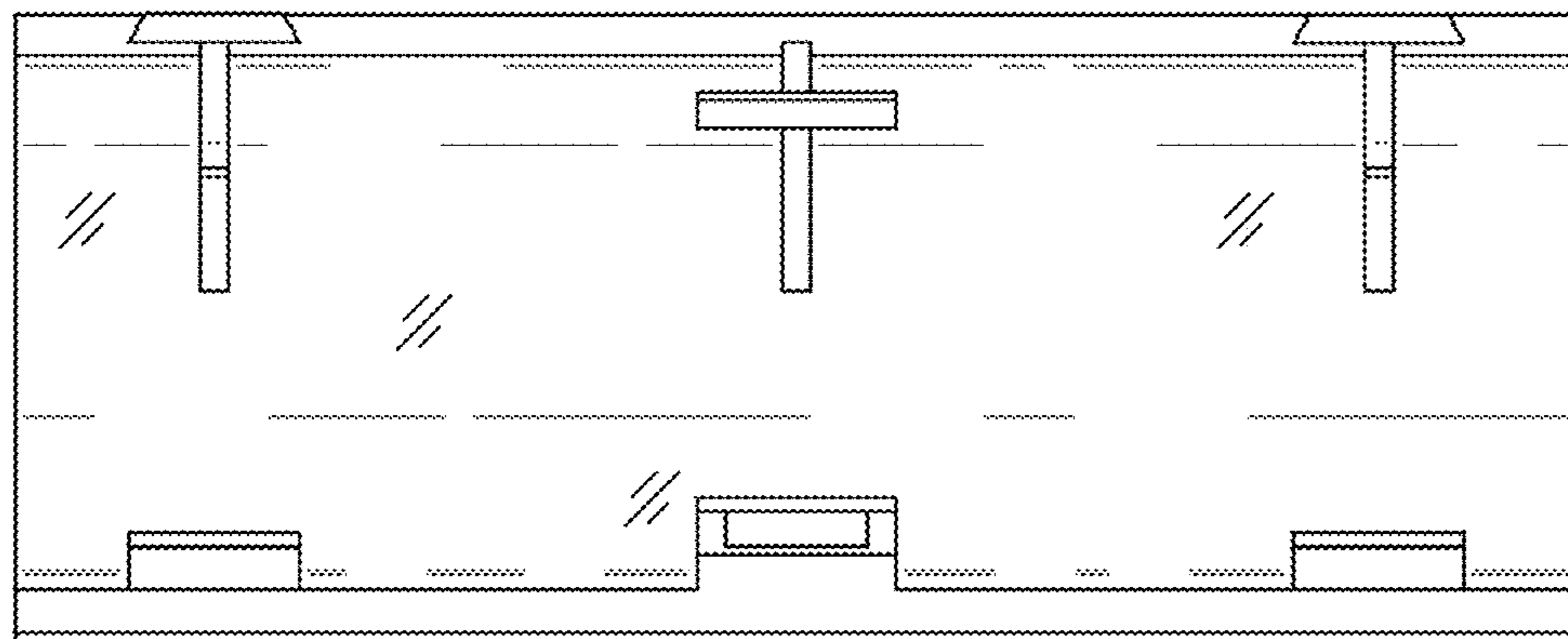


FIG. 7

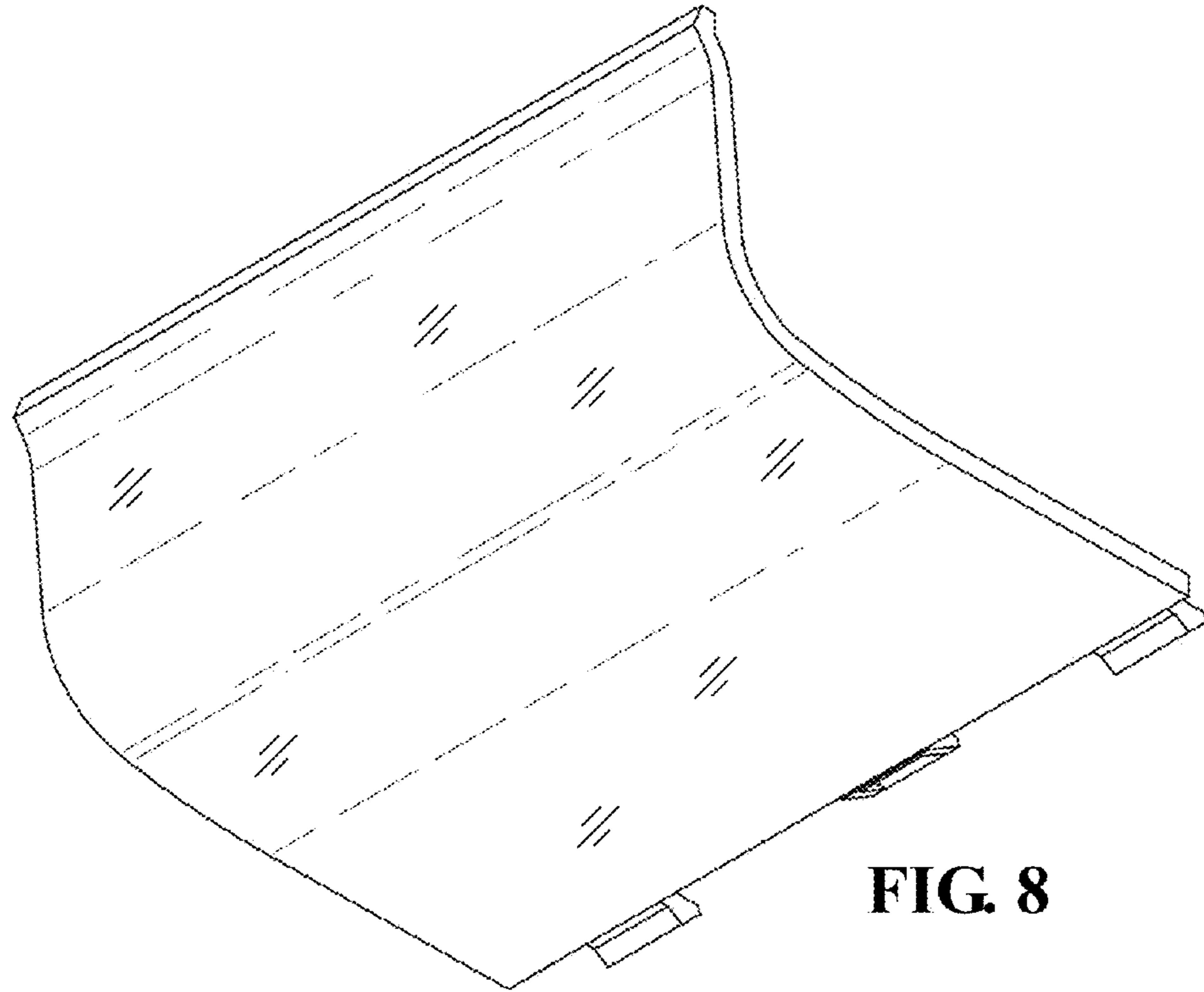


FIG. 8

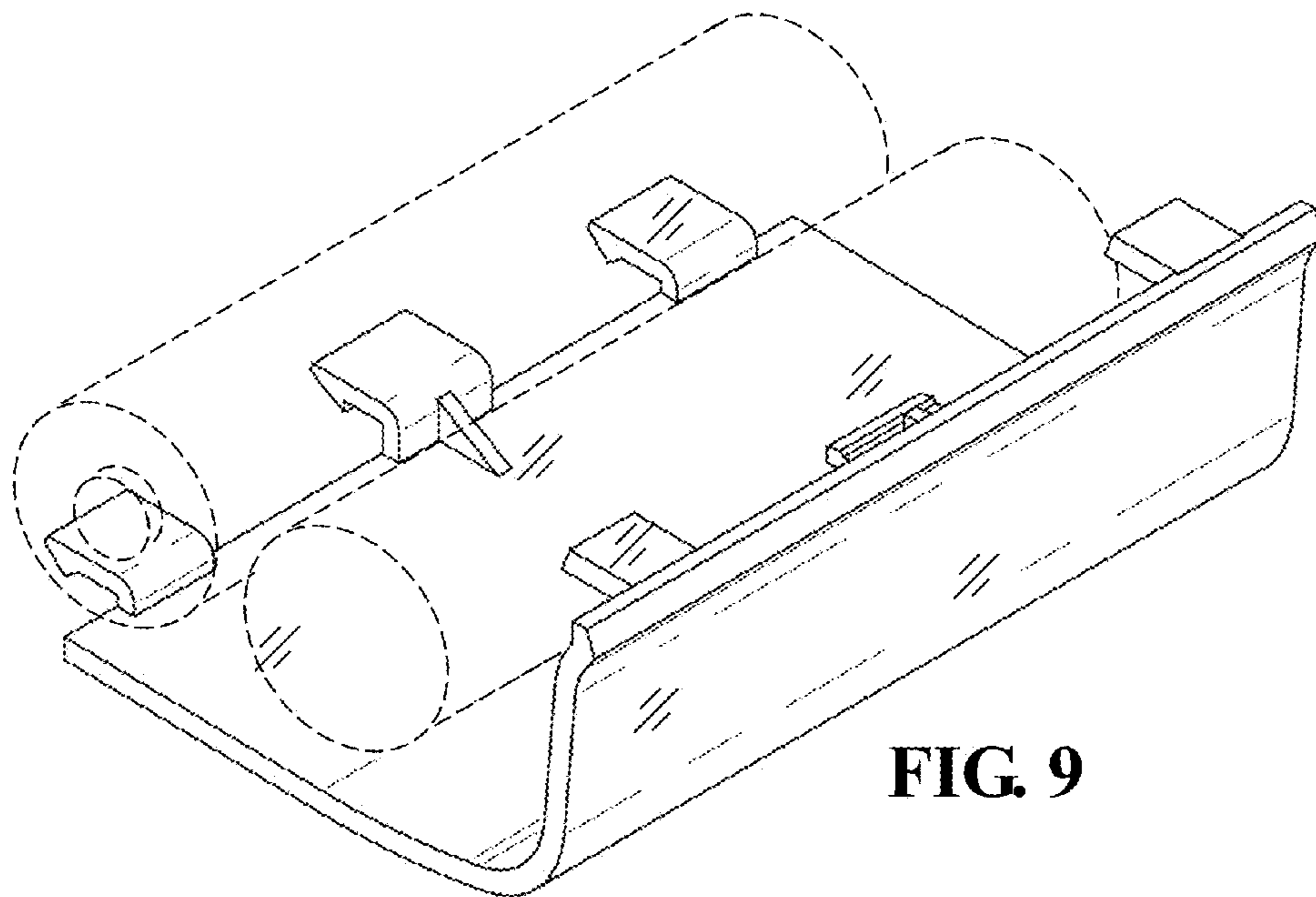


FIG. 9