



US00D765028S

(12) **United States Design Patent** (10) **Patent No.:** **US D765,028 S**
Alesi et al. (45) **Date of Patent:** **** Aug. 30, 2016**

- (54) **USB ADAPTER**
- (71) Applicant: **Custom Accessories Inc.**, Richmond, IL (US)
- (72) Inventors: **Vincent Anthony Alesi**, Richmond, IL (US); **Anthony Salvatore Ferenzi**, Richmond, IL (US)
- (73) Assignee: **Custom Accessories Inc.**, Richmond, IL (US)
- (**) Term: **14 Years**
- (21) Appl. No.: **29/517,016**
- (22) Filed: **Feb. 9, 2015**
- (51) **LOC (10) Cl.** **13-02**
- (52) **U.S. Cl.**
USPC **D13/110**
- (58) **Field of Classification Search**
USPC D13/110, 107, 108, 118, 119, 123, 133, D13/137.1, 184, 199; D14/242, 251, 432, D14/433, 434; 174/53, 54, 59, 61; 307/11, 307/150, 151; 320/107, 111, 112, 113, 114, 320/115; 361/679.01; 363/142, 146; 439/131, 172, 626, 628, 638
CPC H01R 31/06; H01R 25/00; H02M 7/003; H05K 7/1432; H02J 7/0062
See application file for complete search history.

- (56) **References Cited**
U.S. PATENT DOCUMENTS
2,143,529 A * 1/1939 White B26B 19/3833
206/351
D446,499 S * 8/2001 Andre D13/110

- D454,110 S * 3/2002 Andre D13/110
- D476,297 S * 6/2003 Schwimmer D13/184
- D544,438 S * 6/2007 Hussaini D13/110
- D576,100 S * 9/2008 Wang D13/110
- D595,224 S * 6/2009 Seil D13/108
- D617,268 S * 6/2010 Yen D13/108
- D671,491 S * 11/2012 Zaslavsky D13/110
- D693,768 S * 11/2013 Alesi D13/110

* cited by examiner

Primary Examiner — Derrick Holland
(74) *Attorney, Agent, or Firm* — Leydig, Voit & Mayer, Ltd.

(57) **CLAIM**
The ornamental design for a USB adapter, as shown and described.

DESCRIPTION

FIG. 1 is a perspective view taken from the front, top, and left side of a USB adapter in accordance with our new design in a first configuration.

FIG. 2 is a perspective view taken from the rear, top, and left side of the USB adapter of FIG. 1 in a second configuration.

FIG. 3 is a front view of the USB adapter of FIG. 1.

FIG. 4 is a rear view of the USB adapter of FIG. 1 in the first configuration.

FIG. 5 is a left side elevational view of the USB adapter of FIG. 1 in the first configuration.

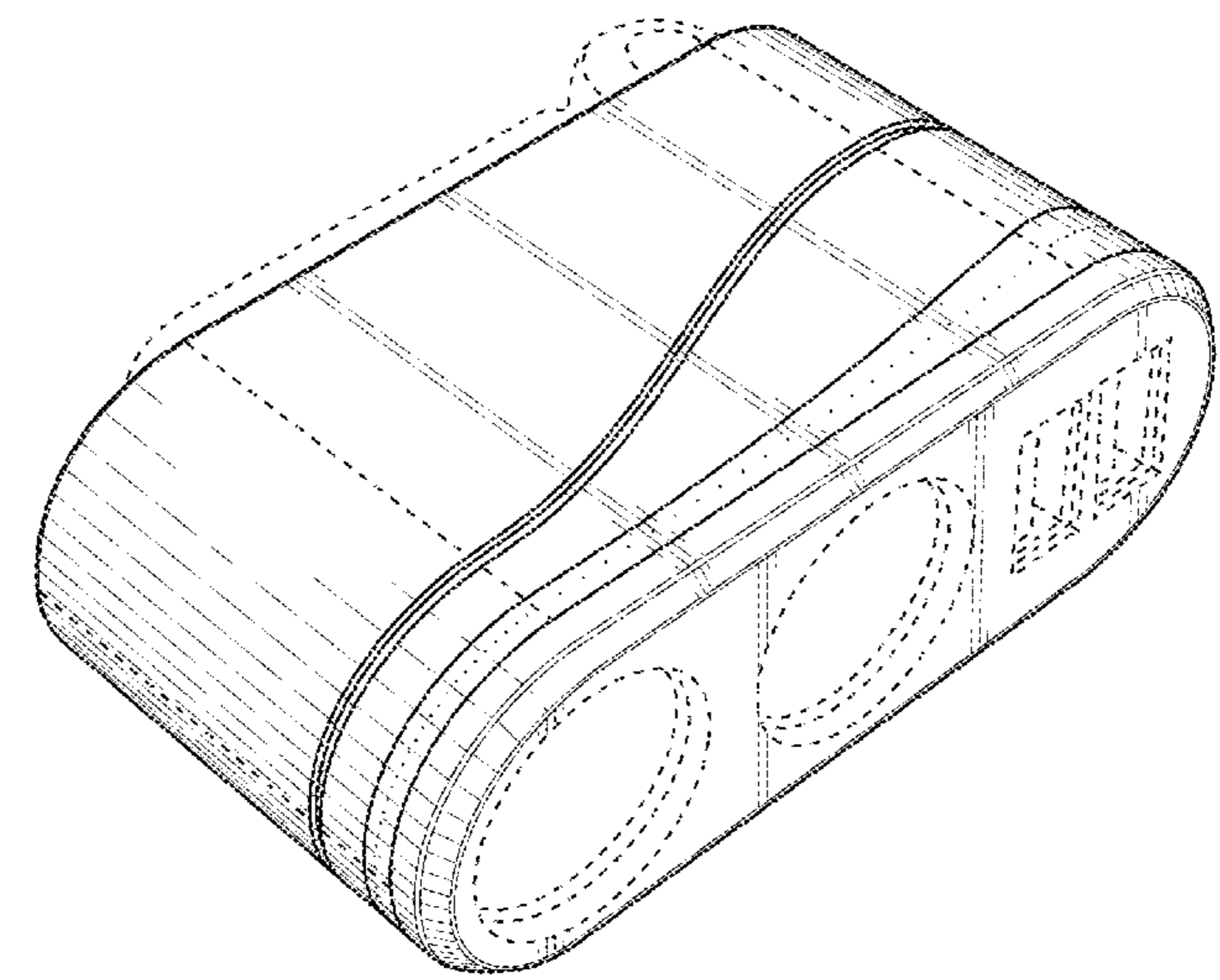
FIG. 6 is a right side elevational view of the USB adapter of FIG. 1 in the first configuration.

FIG. 7 is a top view of the USB adapter of FIG. 1 in the first configuration; and,

FIG. 8 is a bottom view of the USB adapter of FIG. 1 in the first configuration.

The broken lines shown represent unclaimed subject matter and form no part of the claimed design.

1 Claim, 5 Drawing Sheets



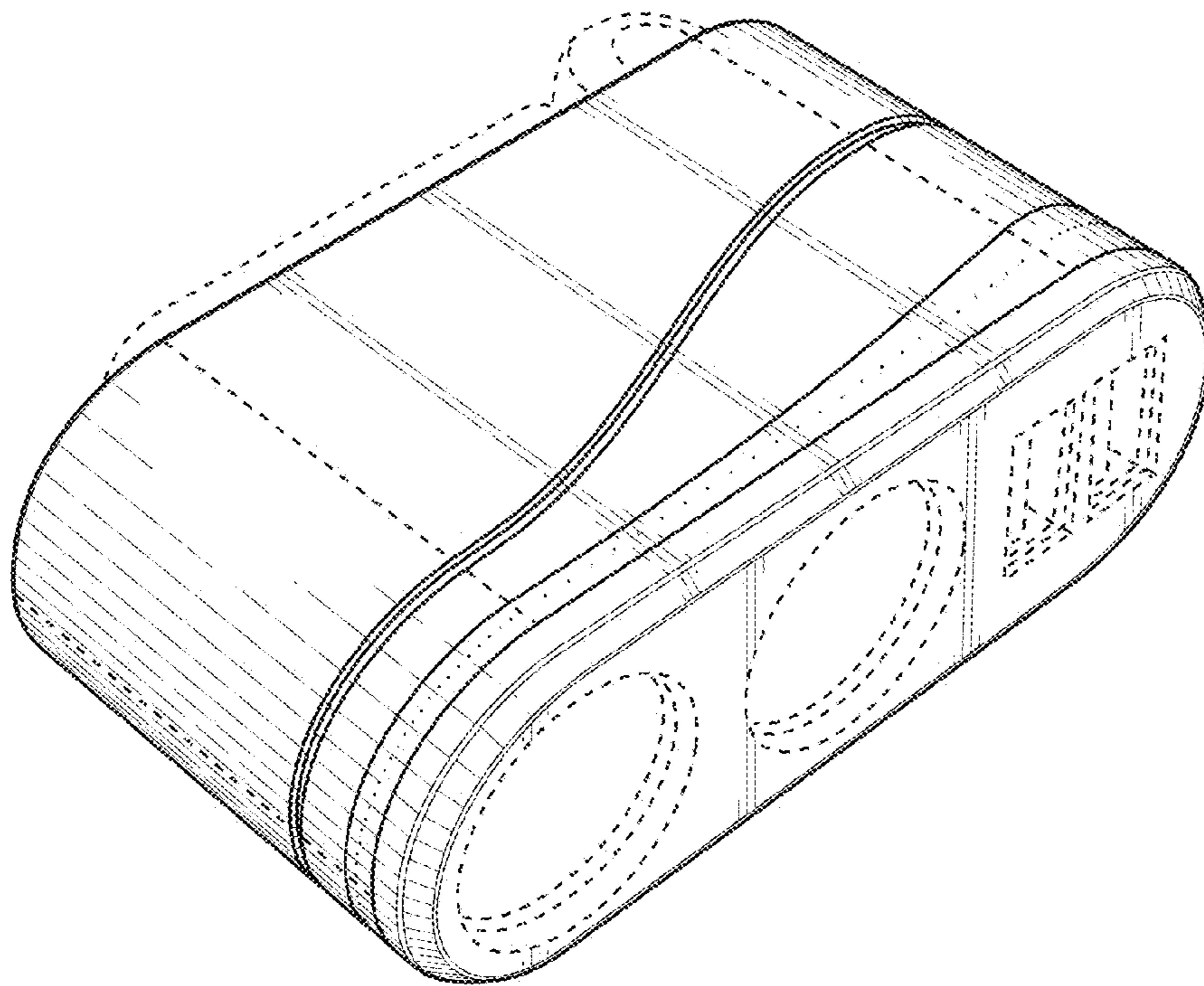


FIG. 1

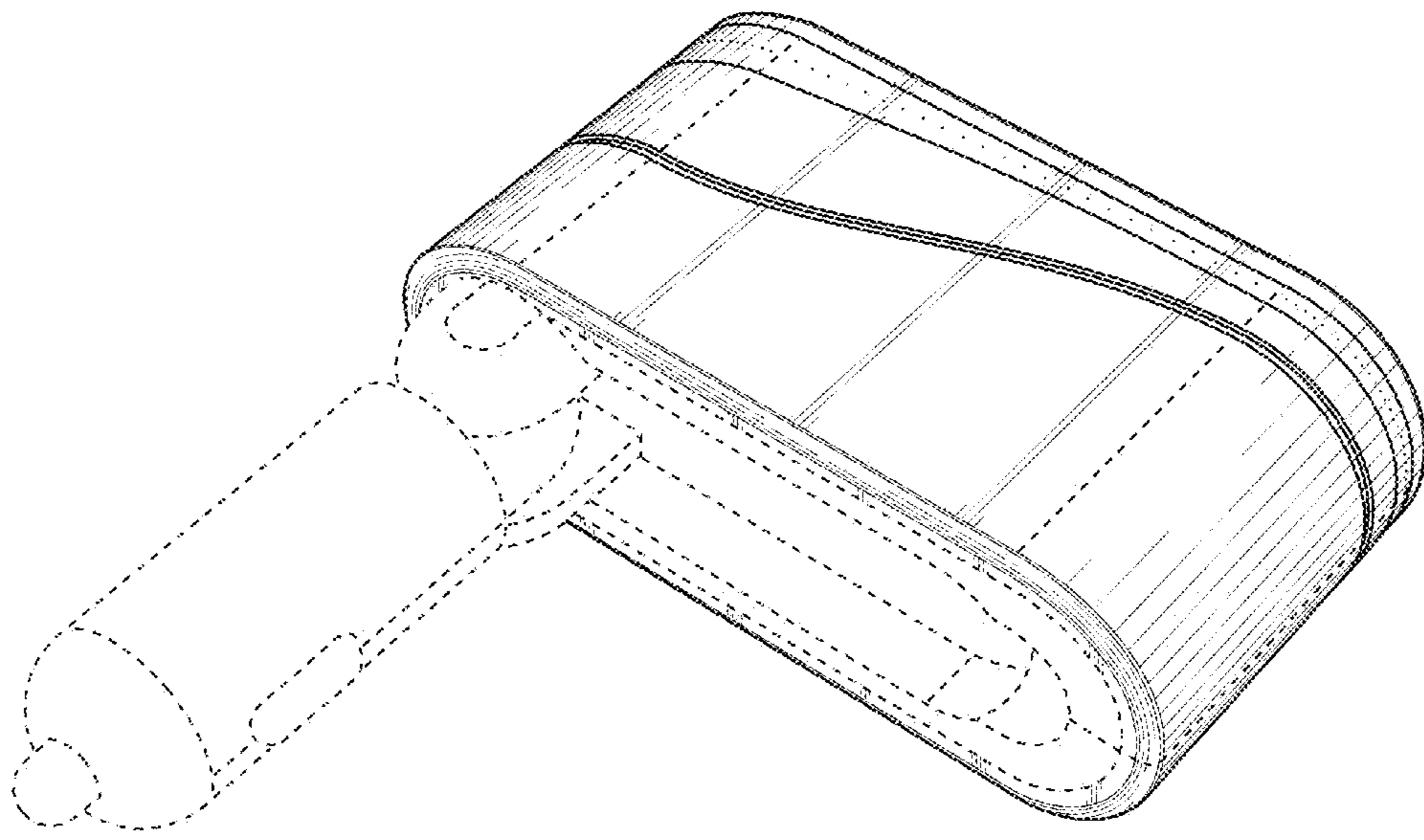


FIG. 2

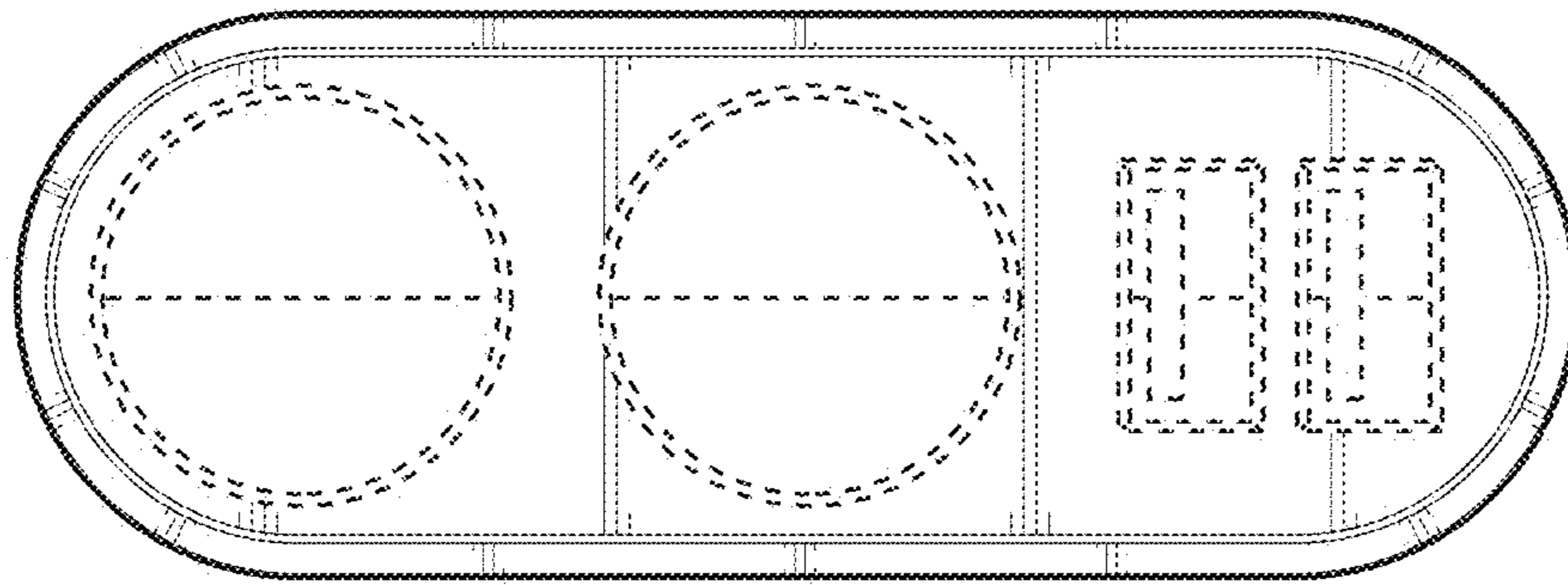


FIG. 3

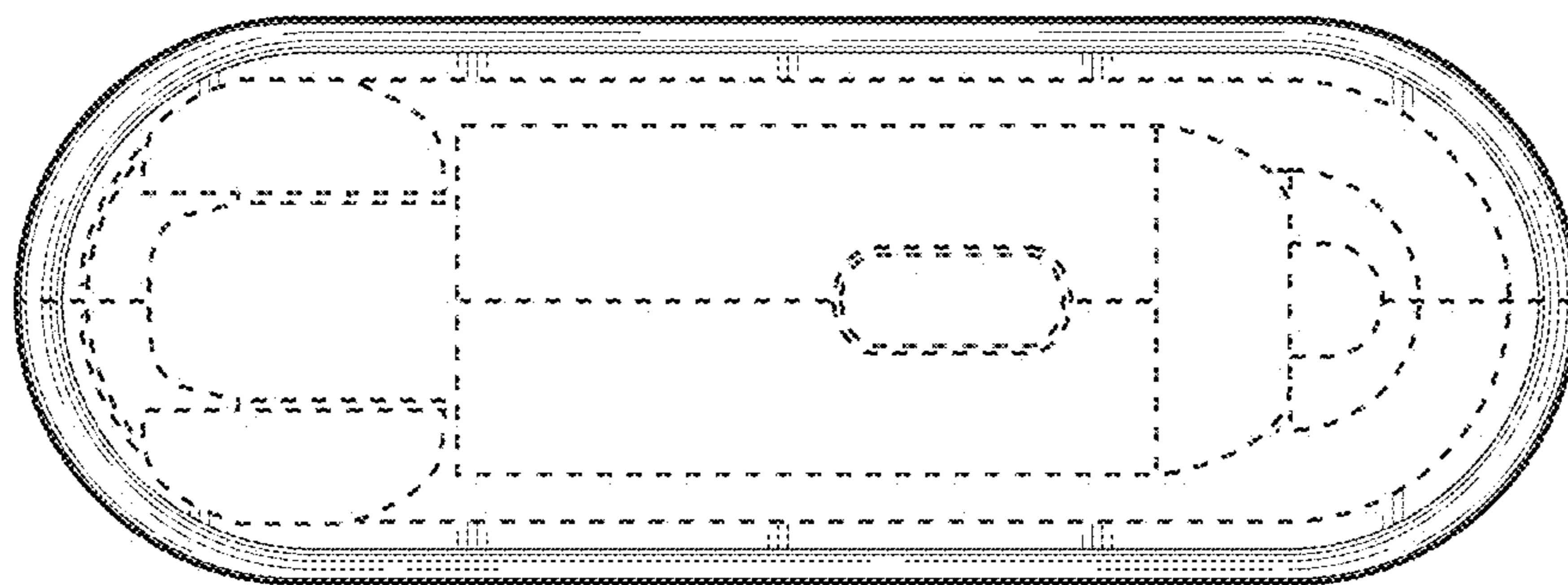


FIG. 4

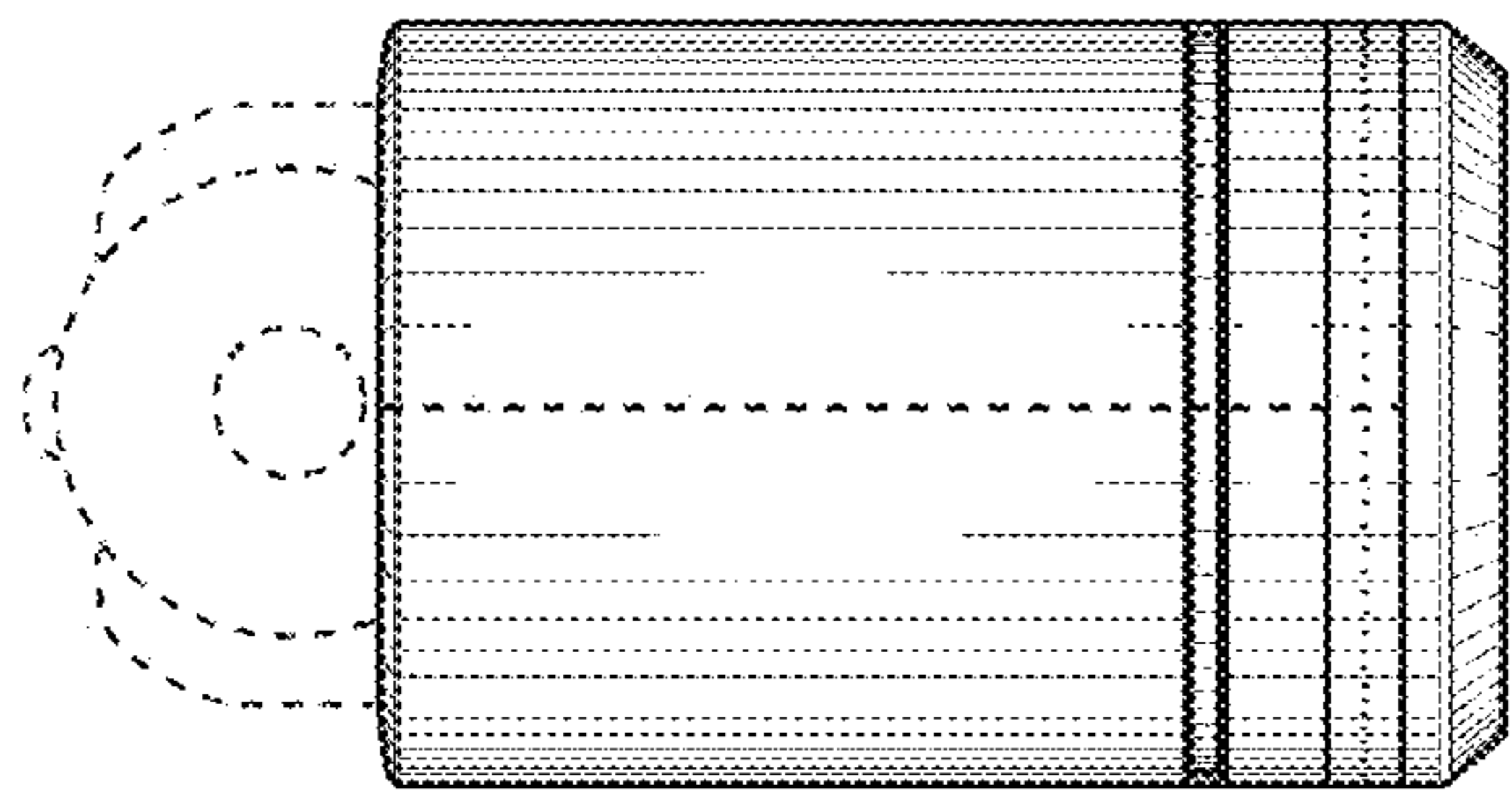


FIG. 5

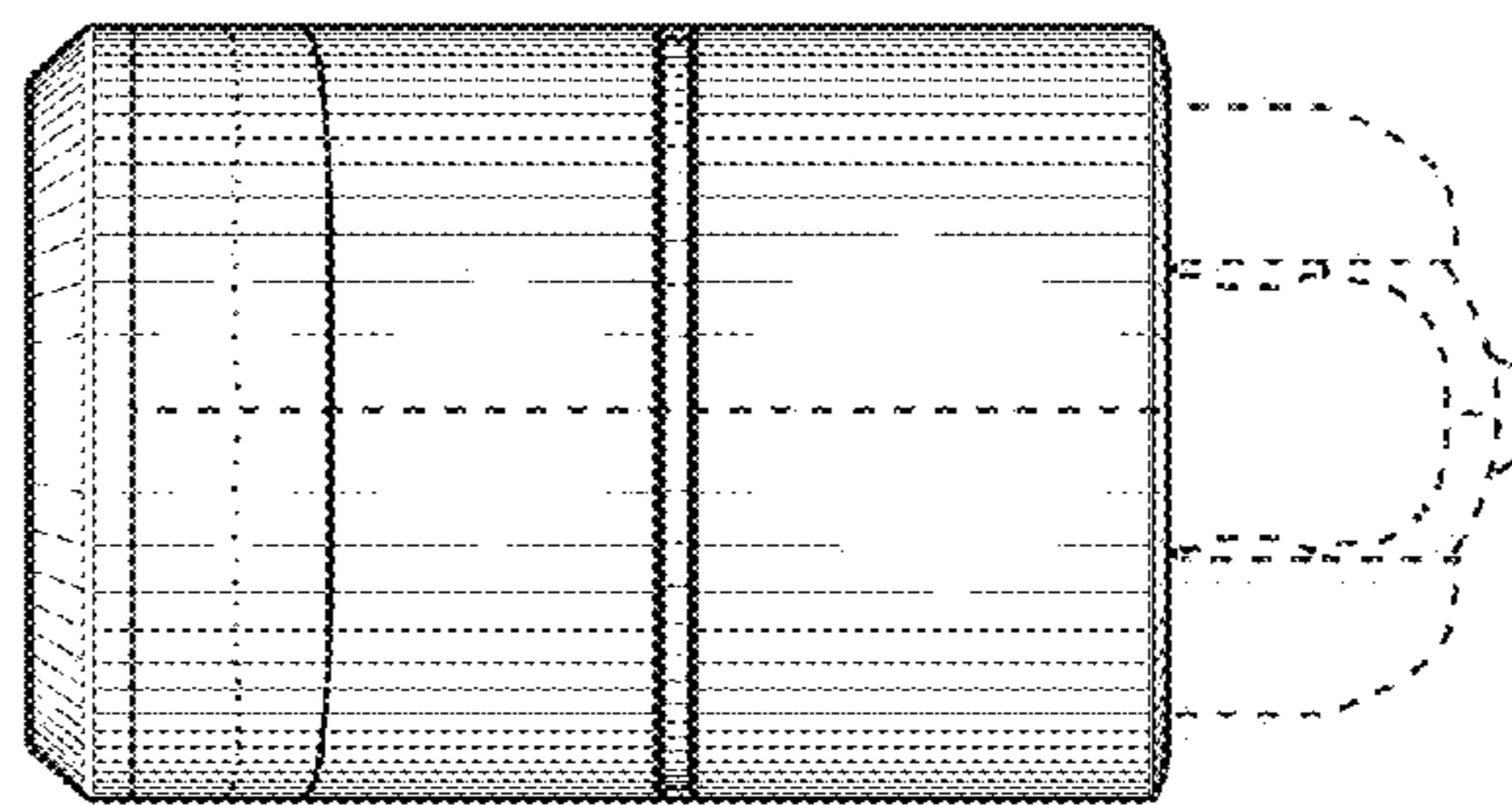


FIG. 6

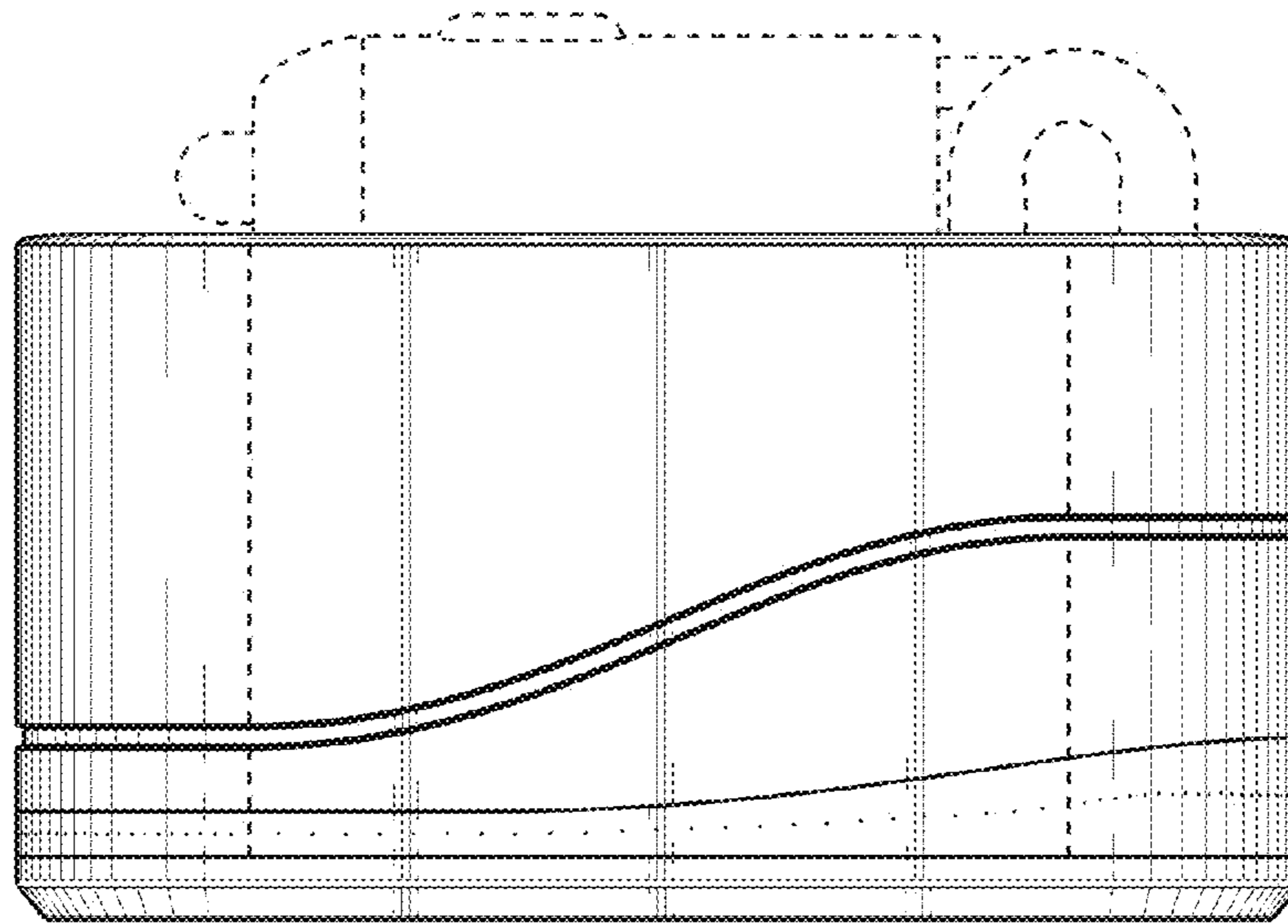


FIG. 7

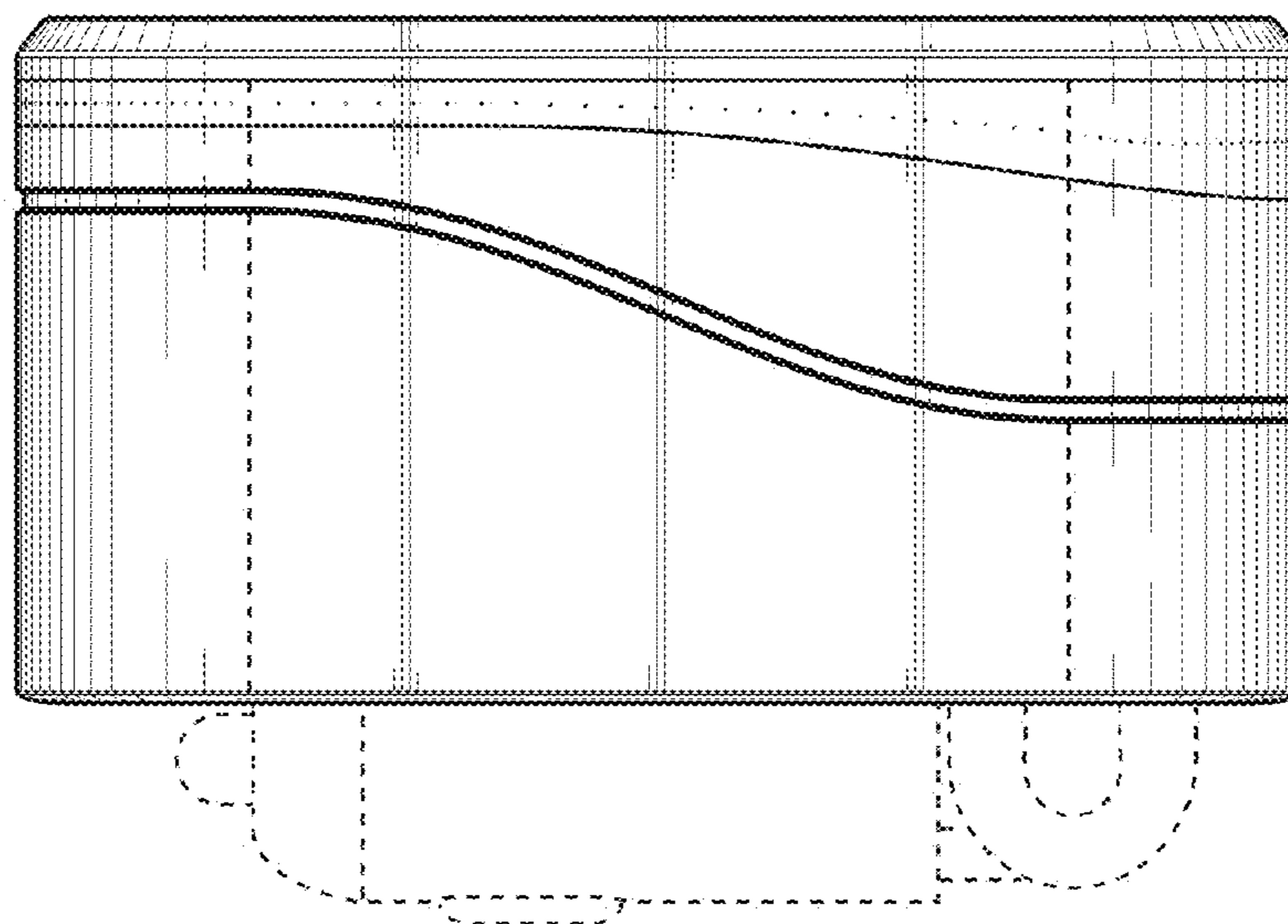


FIG. 8