

US00D765026S

(12) **United States Design Patent**  
**Lebel et al.**

(10) **Patent No.:** **US D765,026 S**  
(45) **Date of Patent:** **\*\* Aug. 30, 2016**

- (54) **TACTICAL BATTERY**
- (71) Applicant: **Revision Military S.a.r.l.**, Luxembourg (LU)
- (72) Inventors: **Stephane Lebel**, St-Redempteur (CA); **Marie-Pierre Gendron**, Mercier (CA)
- (73) Assignee: **REVISION MILITARY S.A.R.L.**, Luxembourg (LU)
- (\*\*) Term: **14 Years**
- (21) Appl. No.: **29/504,429**
- (22) Filed: **Oct. 6, 2014**
- (51) **LOC (10) Cl.** ..... **13-02**
- (52) **U.S. Cl.**  
USPC ..... **D13/103**
- (58) **Field of Classification Search**  
USPC ..... D13/102, 103, 107, 108, 110, 118, 119, D13/184, 199; D14/250, 217, 238.1, 248, D14/251, 252, 253, 346, 356, 440, 496; 455/575.1, 575.8; 206/305, 320, 251, 206/45.2; 429/96, 97, 98, 99, 100, 176  
CPC .... H04B 1/3888; H04M 1/04; H04M 1/0202; H04M 1/0283; H04M 1/185  
See application file for complete search history.

- 2004/0142734 A1\* 7/2004 Kim ..... H04M 1/0247 455/575.1
- 2006/0226039 A1\* 10/2006 Goradesky ..... A45F 5/021 206/320
- 2011/0275420 A1\* 11/2011 Tsao ..... A45C 11/00 455/572

**OTHER PUBLICATIONS**

“Nerv Centr Solopack Battery” Accessed: Jan. 5, 2016. Revision. <https://www.revisionmilitary.com/product/nervcentr-solopack/>.\*

“Revision Introduces Nervcentr Mobile Power Management Systems” Posted Oct. 8, 2014. Ammoland. <http://www.ammoland.com/2014/10/revision-introduces-nervcentr-mobile-power-management-systems/#axzz3wPa6Rg92>.\*

“Keeping the Juice with Revision NervCentr.” Posted May 21, 2015. Recoil. <http://www.recoilweb.com/keeping-the-juice-with-revision-nervcentr-65361.html>.\*

\* cited by examiner

*Primary Examiner* — Manpreet Matharu

*Assistant Examiner* — Suzanne Tisdell

(74) *Attorney, Agent, or Firm* — MU Patents; Timothy Marc Shropshire; Garrett James O’Sullivan

(57) **CLAIM**

The ornamental design for a tactical battery, as shown and described.

**DESCRIPTION**

FIG. 1 is a rear perspective view of a tactical battery showing our new design;

FIG. 2 is a front perspective view thereof;

FIG. 3 is a front elevational view thereof;

FIG. 4 is a rear elevational view thereof;

FIG. 5 is a top plan view thereof;

FIG. 6 is a bottom plan view thereof;

FIG. 7 is a right side elevational view thereof; and,

FIG. 8 is a left side elevational view thereof.

The broken lines depict environmental subject matter that is not included in the claim.

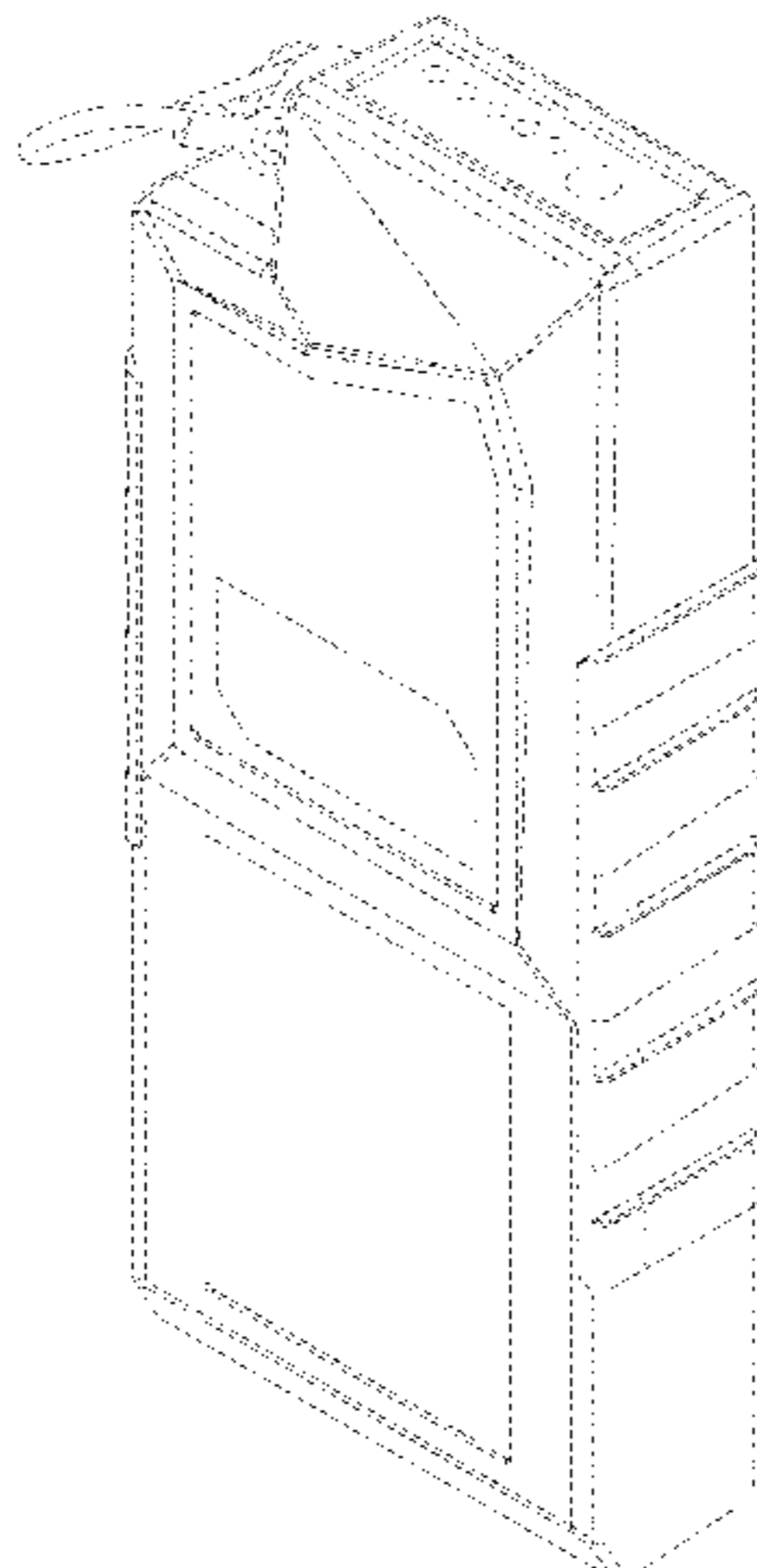
The present design is a face for use on military and law enforcement grade battery packs.

**1 Claim, 8 Drawing Sheets**

(56) **References Cited**

**U.S. PATENT DOCUMENTS**

- D263,957 S \* 4/1982 Pemberton ..... D14/356
- 5,248,030 A \* 9/1993 Tarozzi ..... A45C 11/24 206/1.7
- 5,667,906 A \* 9/1997 Huang ..... H01M 2/1055 429/100
- 6,660,427 B1 \* 12/2003 Hukill ..... H04M 1/0262 361/600
- D598,019 S \* 8/2009 Chou ..... D14/356
- 8,567,599 B2 \* 10/2013 Beatty ..... A45C 11/00 206/320
- 8,757,375 B2 \* 6/2014 Huang ..... A47B 23/043 206/320
- D717,763 S \* 11/2014 Han ..... D14/203.7
- D730,913 S \* 6/2015 Shao ..... D14/440



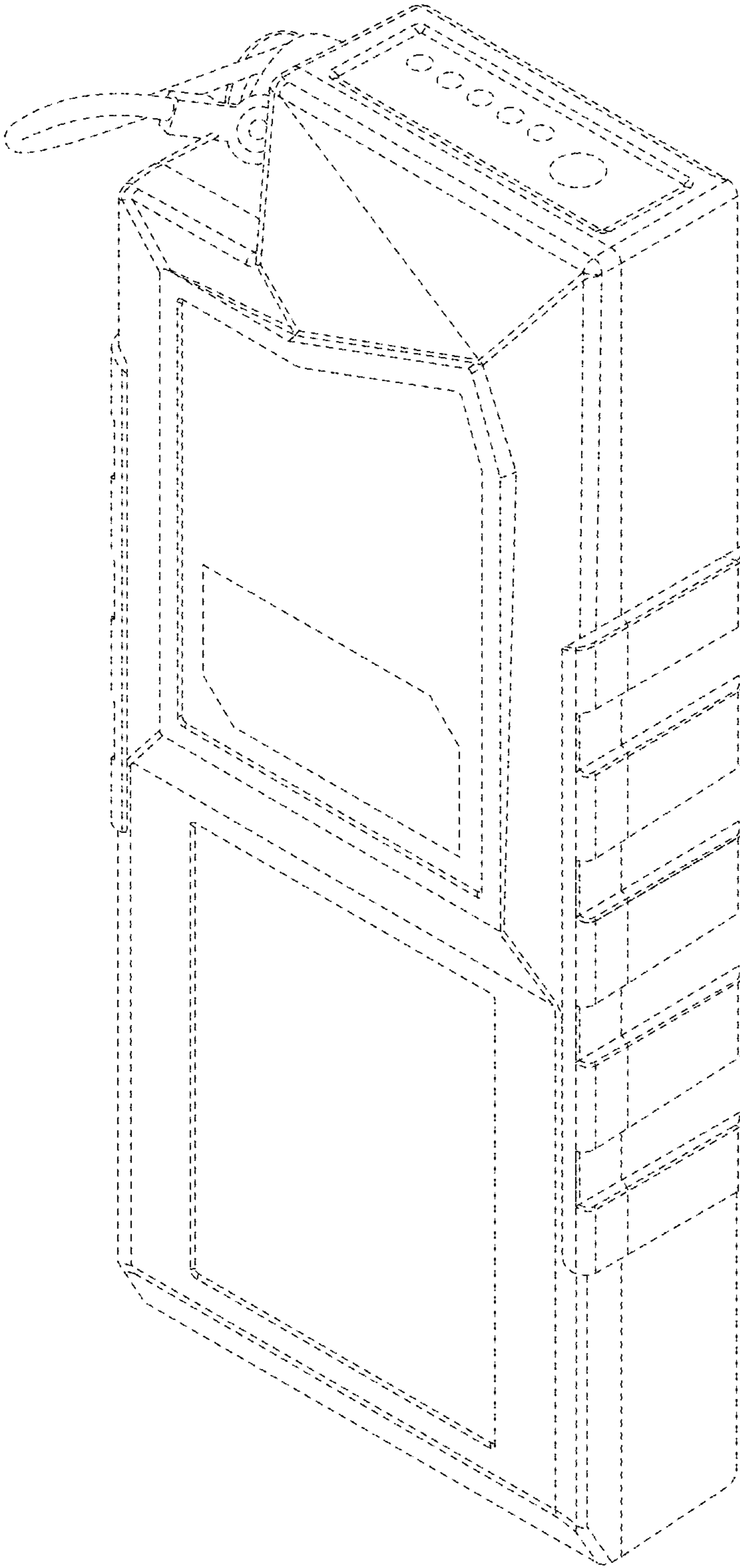


FIG. 1

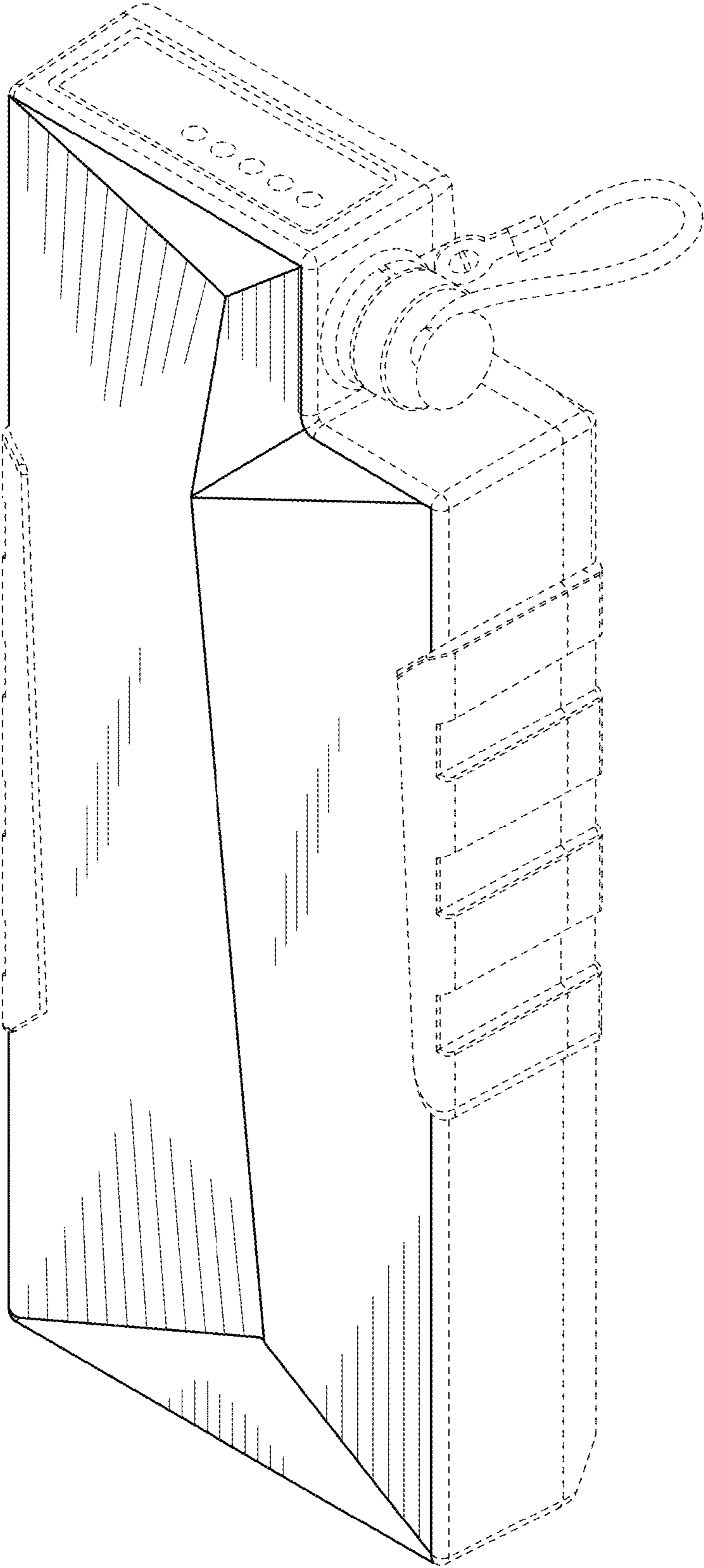


FIG. 2

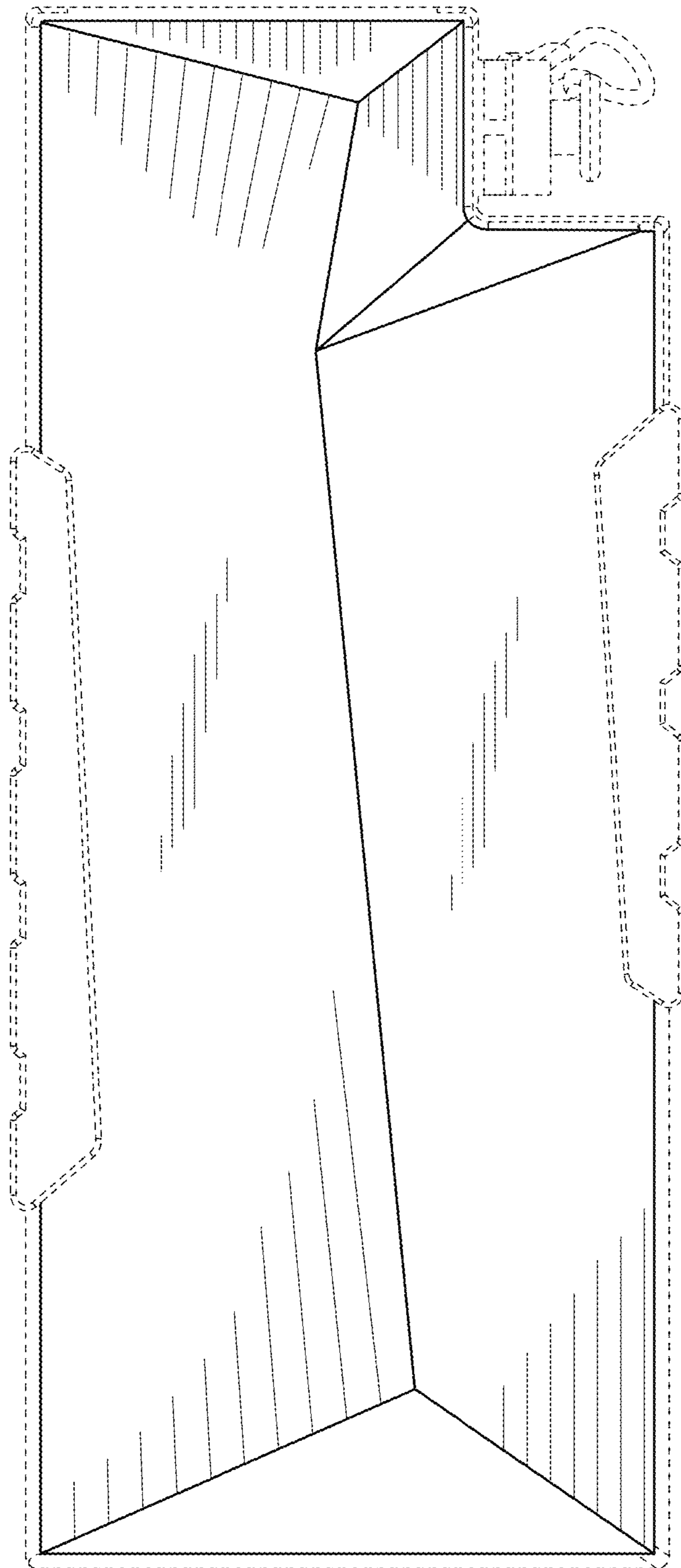


FIG. 3

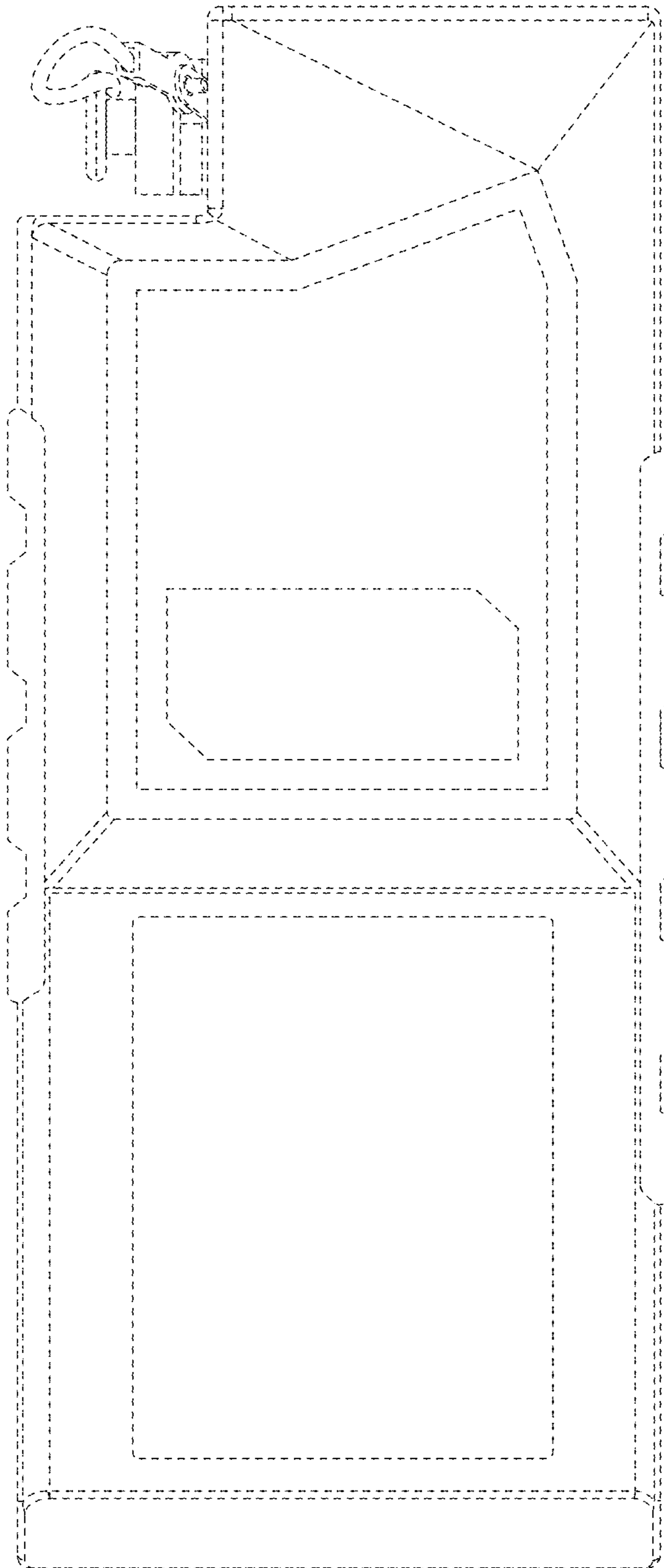


FIG. 4

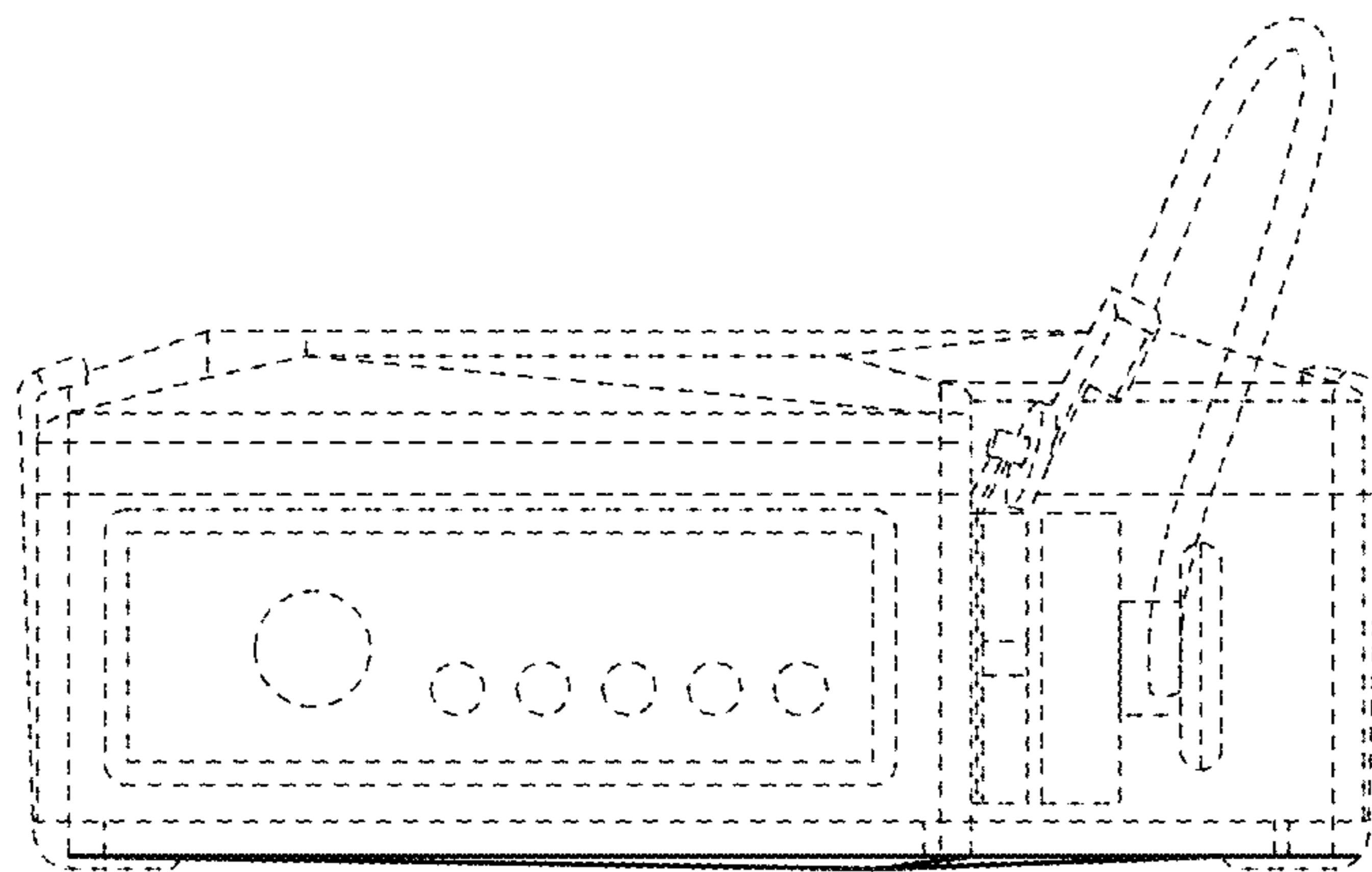


FIG. 5

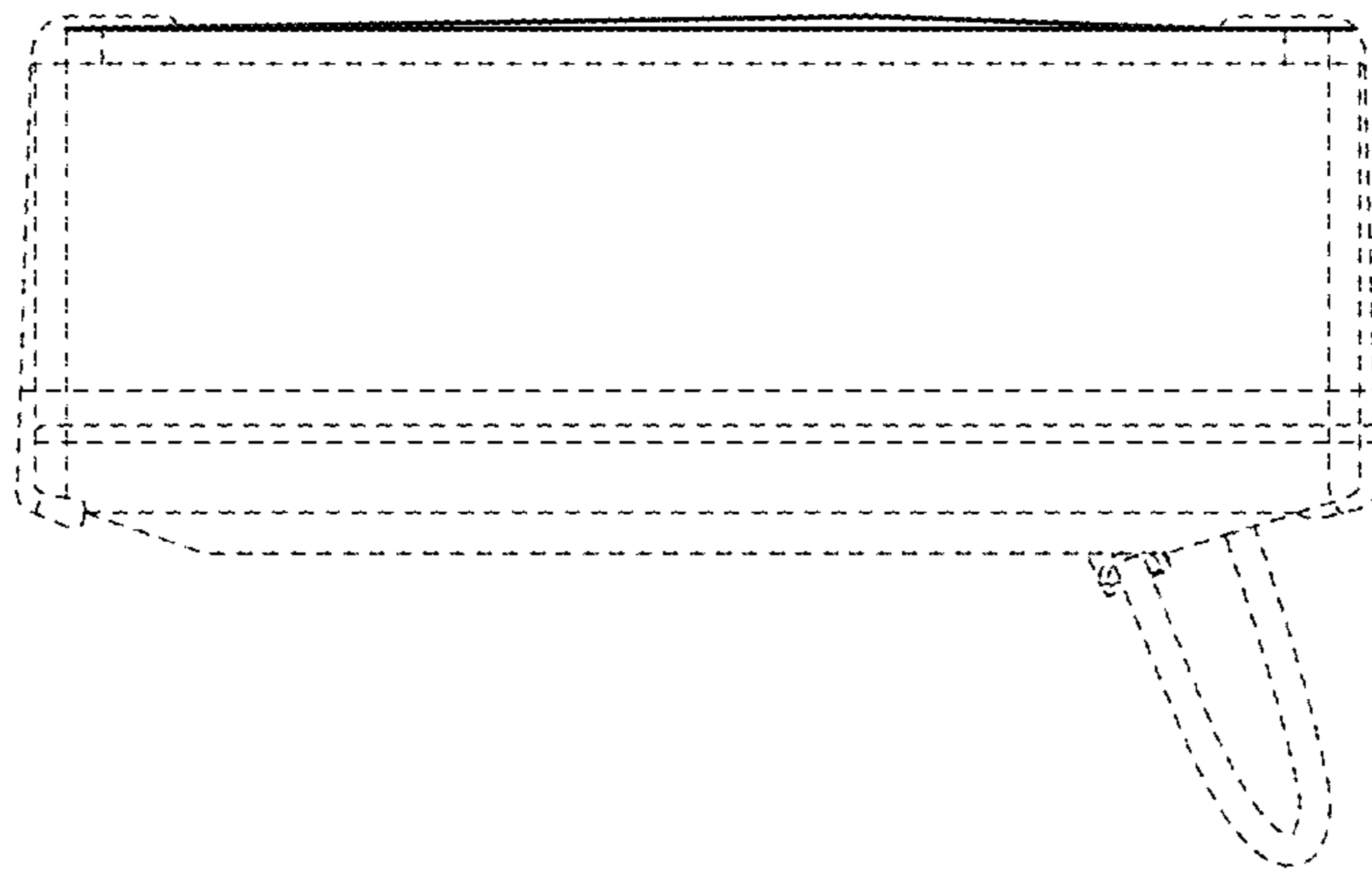


FIG. 6

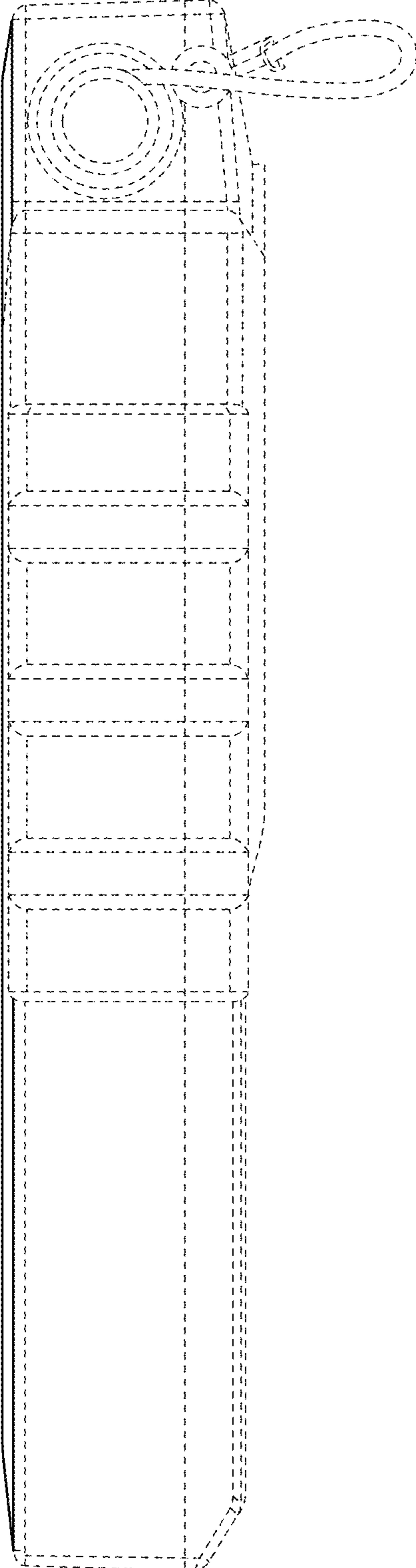


FIG. 7



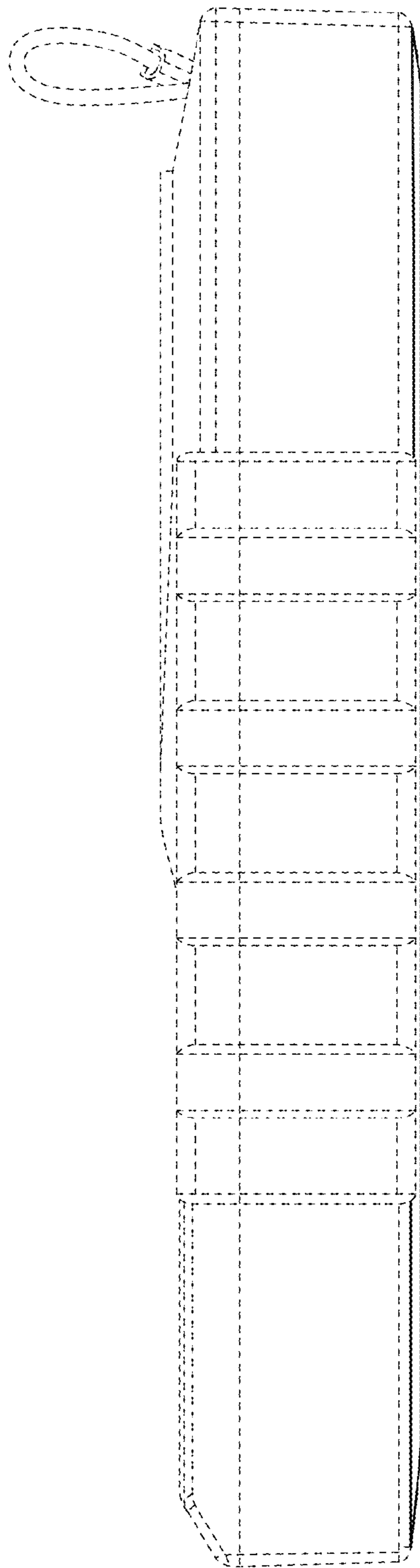


FIG. 8