



US00D765025S

(12) **United States Design Patent**  
**Lebel et al.**

(10) **Patent No.:** **US D765,025 S**  
(45) **Date of Patent:** **\*\* Aug. 30, 2016**

- (54) **TACTICAL BATTERY**
- (71) Applicant: **Revision Military S.a.r.l.**, Luxembourg (LU)
- (72) Inventors: **Stephane Lebel**, St-Redempteur (CA);  
**Marie-Pierre Gendron**, Mercier (CA)
- (73) Assignee: **REVISION MILITARY S.A.R.L.**, Luxembourg (LU)

- D701,211 S \* 3/2014 Ng ..... D14/440
- D701,490 S \* 3/2014 Inskeep ..... D13/110
- D703,210 S \* 4/2014 Gelsomini ..... D14/440
- D706,256 S \* 6/2014 Ward ..... D14/250
- D711,362 S \* 8/2014 Poon ..... D14/250
- D711,864 S \* 8/2014 Poon ..... D14/250
- D712,387 S \* 9/2014 Tompkin ..... D14/250
- D713,832 S \* 9/2014 Fathollahi ..... D14/250
- D714,275 S \* 9/2014 Tompkin ..... D14/250
- D726,170 S \* 4/2015 Ng ..... D14/250

(Continued)

- (\*\*) Term: **14 Years**
- (21) Appl. No.: **29/504,401**
- (22) Filed: **Oct. 6, 2014**
- (51) **LOC (10) Cl.** ..... **13-02**
- (52) **U.S. Cl.**  
USPC ..... **D13/103**
- (58) **Field of Classification Search**  
USPC ..... D13/102, 103, 107, 108, 110, 118, 119,  
D13/184, 199; D14/250, 217, 238.1, 248,  
D14/251, 252, 253, 346, 356, 440, 496;  
455/575.1, 575.8; 206/305, 320, 251,  
206/45.2; 429/96, 97, 98, 99, 100, 176  
CPC .... H04B 1/3888; H04M 1/04; H04M 1/0202;  
H04M 1/0283; H04M 1/185  
See application file for complete search history.

**OTHER PUBLICATIONS**

“CYMA Airsoft M5 External Battery Box Case w/ Universal Weaver Mount” First Review: Jun. 10, 2013. Airsoft Megastore. <http://www.airsoftmegastore.com/6695-cyma-airsoft-m5-external-battery-box-case-w-universal-weaver-mount.aspx>\*

(Continued)

*Primary Examiner* — Manpreet Matharu  
*Assistant Examiner* — Suzanne Tisdell  
(74) *Attorney, Agent, or Firm* — MU Patents; Timothy Marc Shropshire; Garrett James O’Sullivan

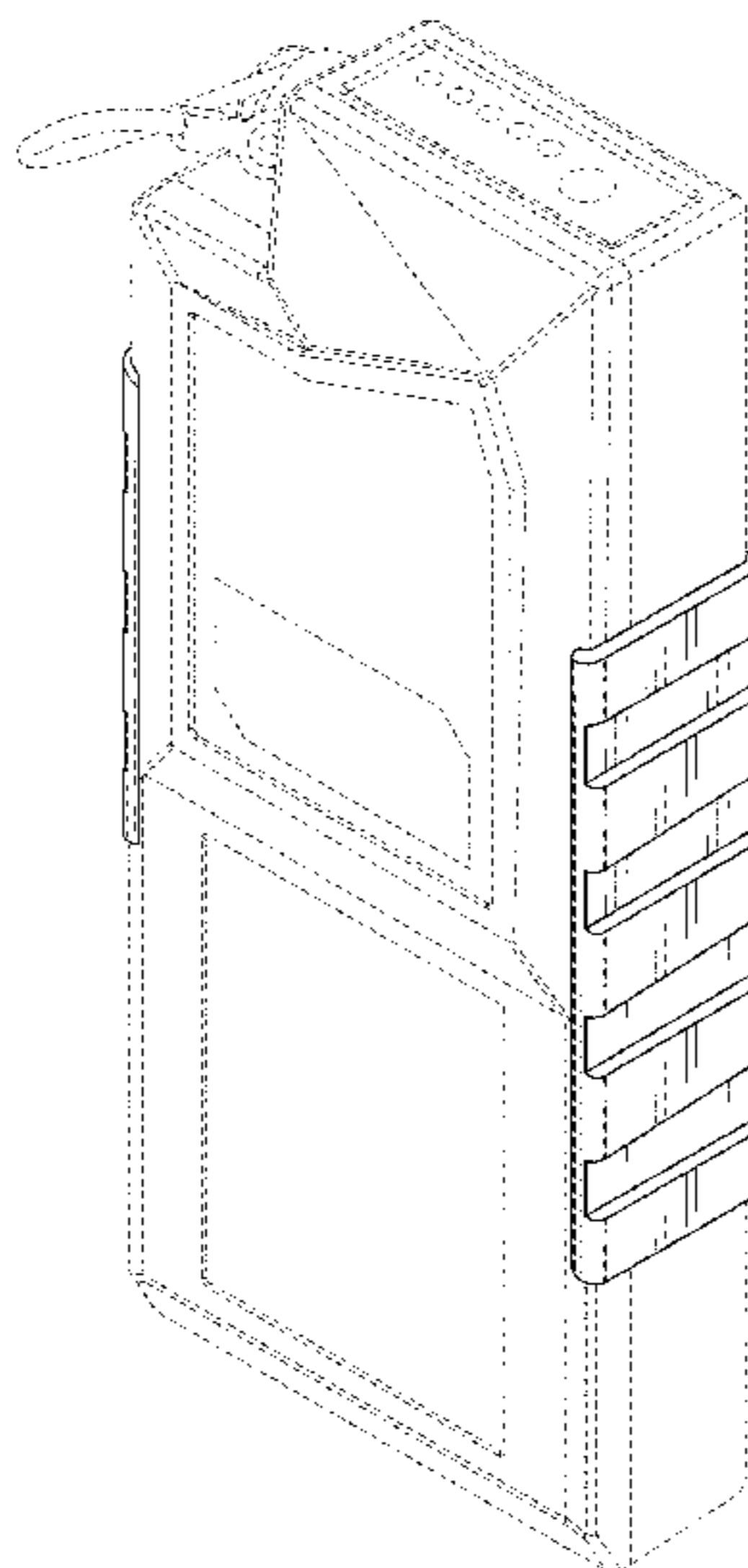
(57) **CLAIM**  
The ornamental design for a tactical battery, as shown and described.

**DESCRIPTION**

FIG. 1 is a rear perspective view of a tactical battery showing our new design;  
FIG. 2 is a front perspective view thereof;  
FIG. 3 is a front elevational view thereof;  
FIG. 4 is a rear elevational view thereof;  
FIG. 5 is a top plan view thereof;  
FIG. 6 is a bottom plan view thereof;  
FIG. 7 is a right side elevational view thereof; and,  
FIG. 8 is a left side elevational view thereof.  
The broken lines depict environmental subject matter that is not included in the claim.

- (56) **References Cited**  
U.S. PATENT DOCUMENTS
- D389,158 S \* 1/1998 Oross ..... D13/119
- D466,107 S \* 11/2002 Lum ..... D14/217
- D468,261 S \* 1/2003 Peng ..... D13/119
- D497,898 S \* 11/2004 Hirabayashi ..... D14/191
- D511,773 S \* 11/2005 Horiki ..... D14/346
- D597,089 S \* 7/2009 Khan ..... D14/250
- D634,313 S \* 3/2011 Fitzpatrick ..... D14/250
- D647,894 S \* 11/2011 Nuovo ..... D14/248
- D654,067 S \* 2/2012 Salazar ..... D14/248
- D685,785 S \* 7/2013 Seoc ..... D14/353
- D700,138 S \* 2/2014 Walz ..... D13/103

**1 Claim, 8 Drawing Sheets**



(56)

**References Cited**

U.S. PATENT DOCUMENTS

D730,343	S	*	5/2015	Hemesath	.....	D14/250
D737,259	S	*	8/2015	Choi	.....	D14/248
D739,711	S	*	9/2015	Thompson	.....	D8/356
D741,845	S	*	10/2015	Kim	.....	D14/250
D742,310	S	*	11/2015	Yen	.....	D13/108
D742,822	S	*	11/2015	Ju	.....	D13/103
D743,388	S	*	11/2015	Fitzpatrick	.....	D14/250
D745,505	S	*	12/2015	Barfoot	.....	D14/250
D745,866	S	*	12/2015	Adelman	.....	D14/250

OTHER PUBLICATIONS

“Valken Airsoft Lipo Battery Smart Balance Charger” Accessed: Jan. 5, 2016. Airsoft Outlet NW. <http://www.airsoftoutletnw.com/valken-airsoft-lipo-battery-smart-balance-charger.html>.\*

“Sonim 51 Land Rover black Handy” First Review: Nov. 12, 2009. Amazon. <http://www.amazon.de/Sonim-Land-Rover-black-Handy/dp/B002KD9OH0>.\*

“Photive Bolt 9000mAh Extreme Waterproof Portable Battery Pack” Posted: Jul. 13, 2014. Tech Blog. <http://www.techeblog.com/index.php/tech-gadget/photive-bolt-9000mah-extreme-waterproof-portable-battery-pack-gets-67-reduction-to-39-95-shipped-today-only>.\*

“Revision Introduces Nerv Centr Mobile Power Management Systems” Posted Oct. 8, 2014. Revision. <https://www.revisionmilitary.com/news/revision-introduces-nervcentr-mobile-power-management-systems/>.\*

“Lightweight Assault Battery” Posted 2014. Revision. [https://www.revisionmilitary.com/wp-content/uploads/2014/10/REV1622\\_LWAB\\_SALES\\_SHEET-v8.pdf](https://www.revisionmilitary.com/wp-content/uploads/2014/10/REV1622_LWAB_SALES_SHEET-v8.pdf).\*

\* cited by examiner

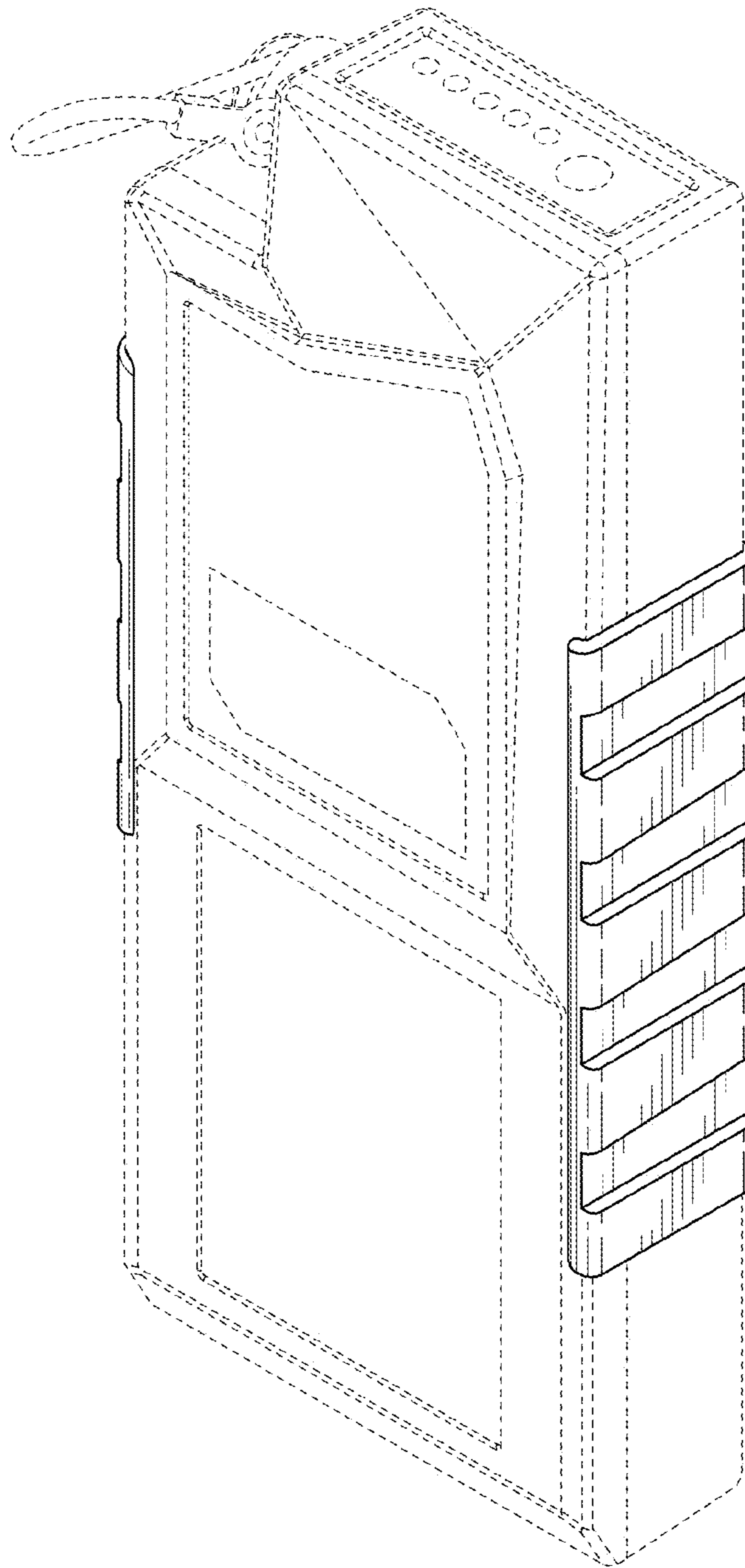


FIG. 1

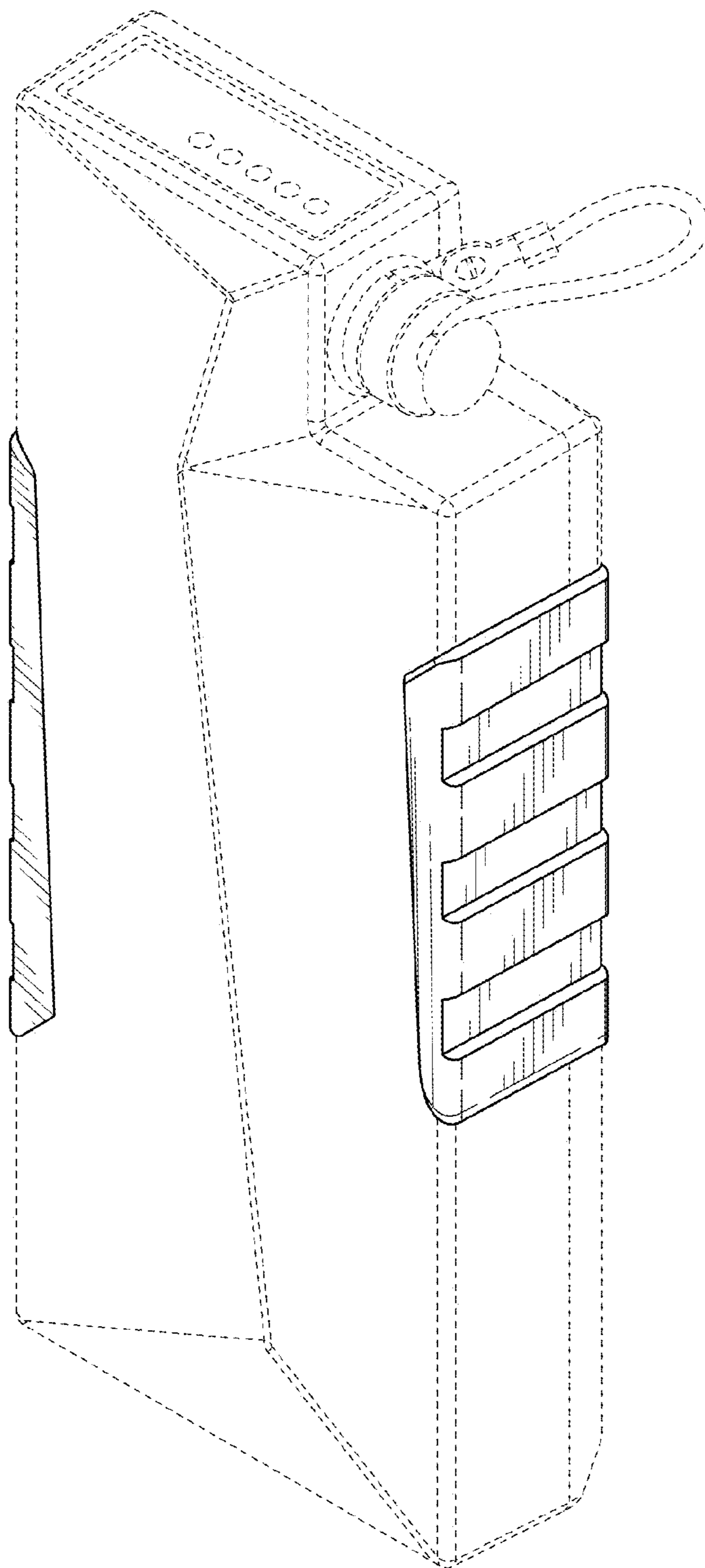


FIG. 2

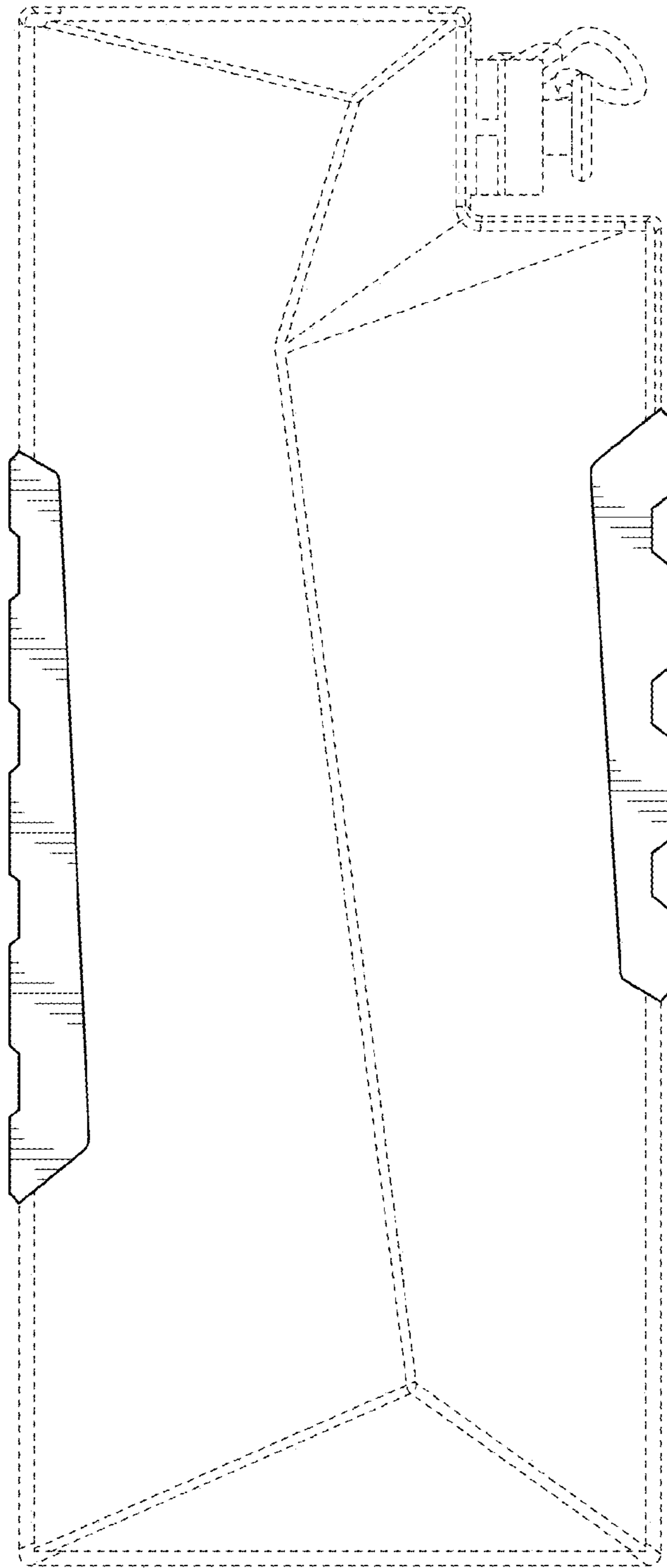


FIG. 3

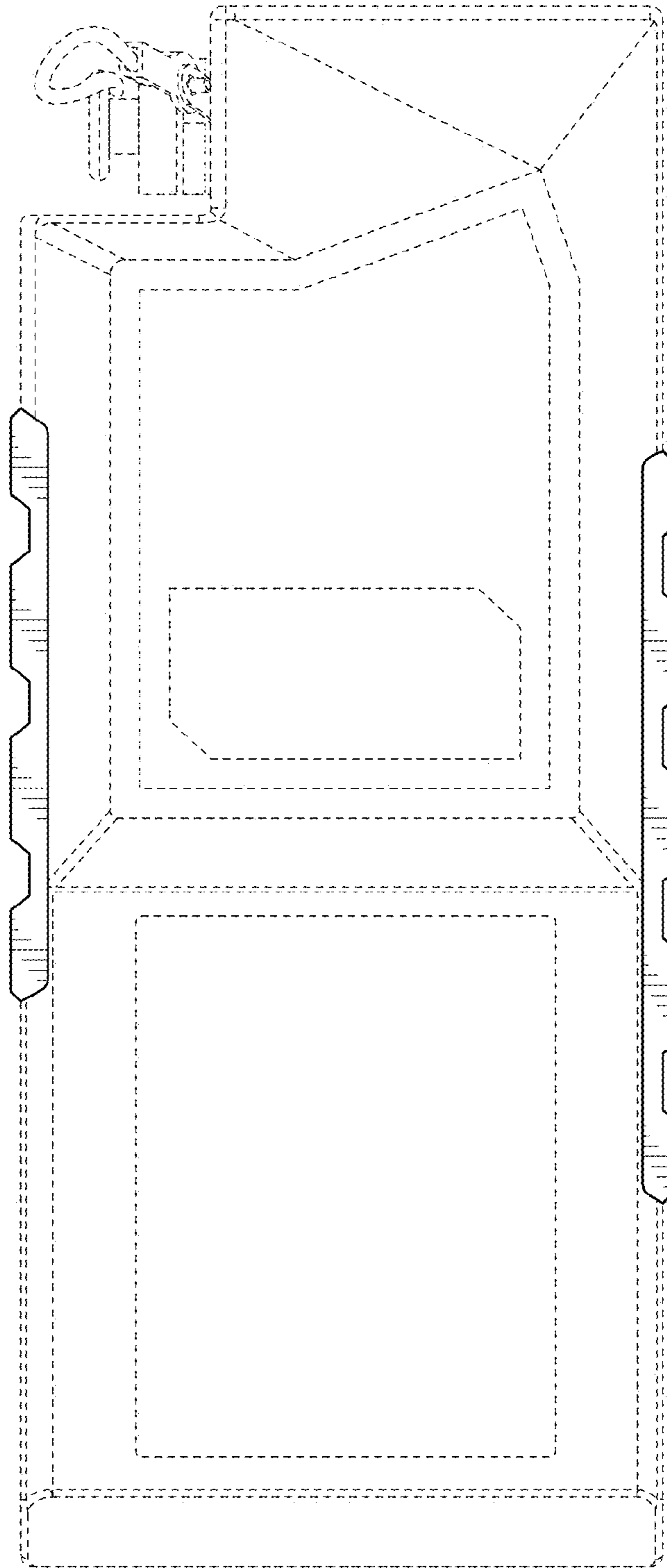


FIG. 4

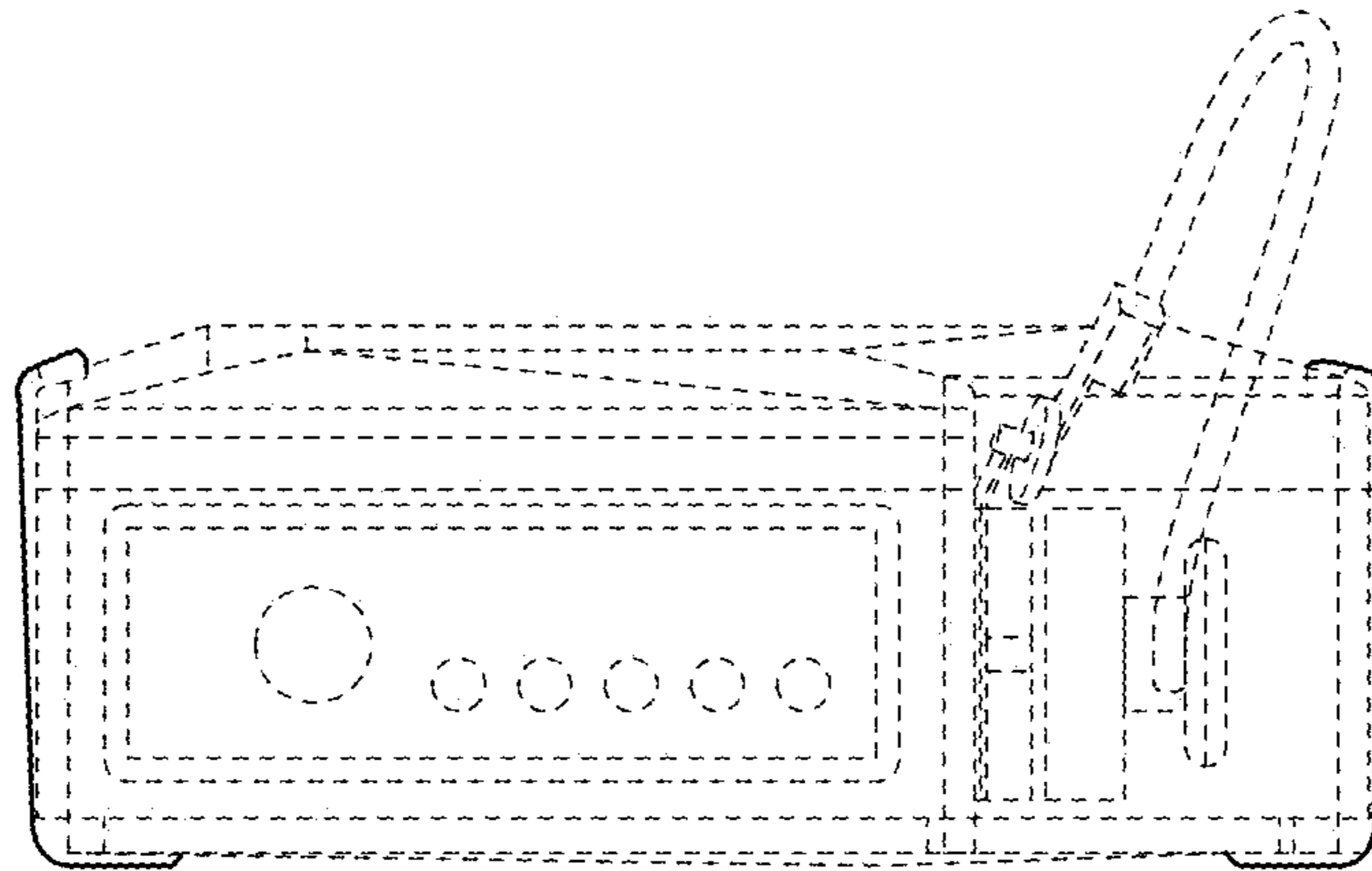


FIG. 5

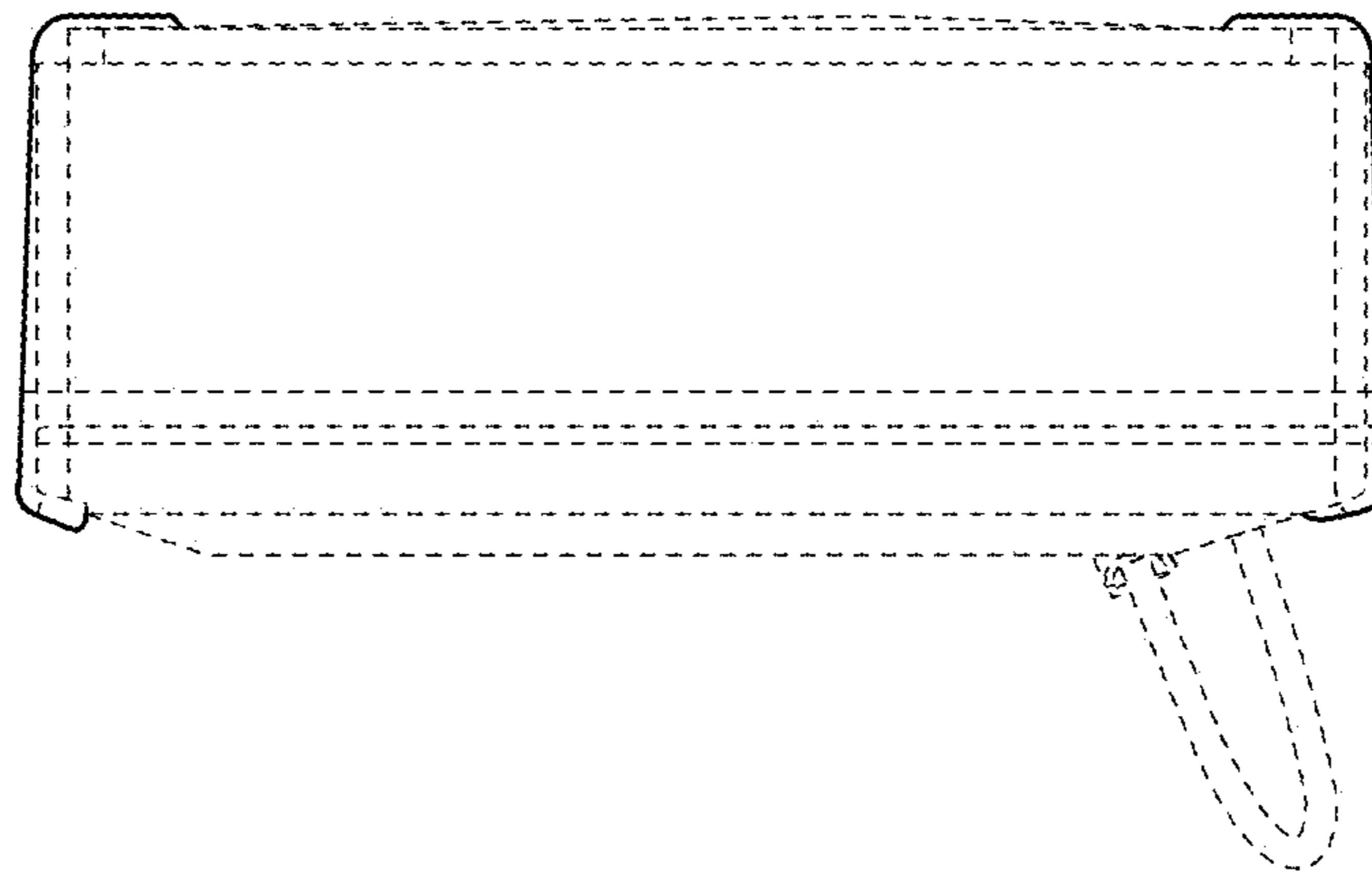


FIG. 6



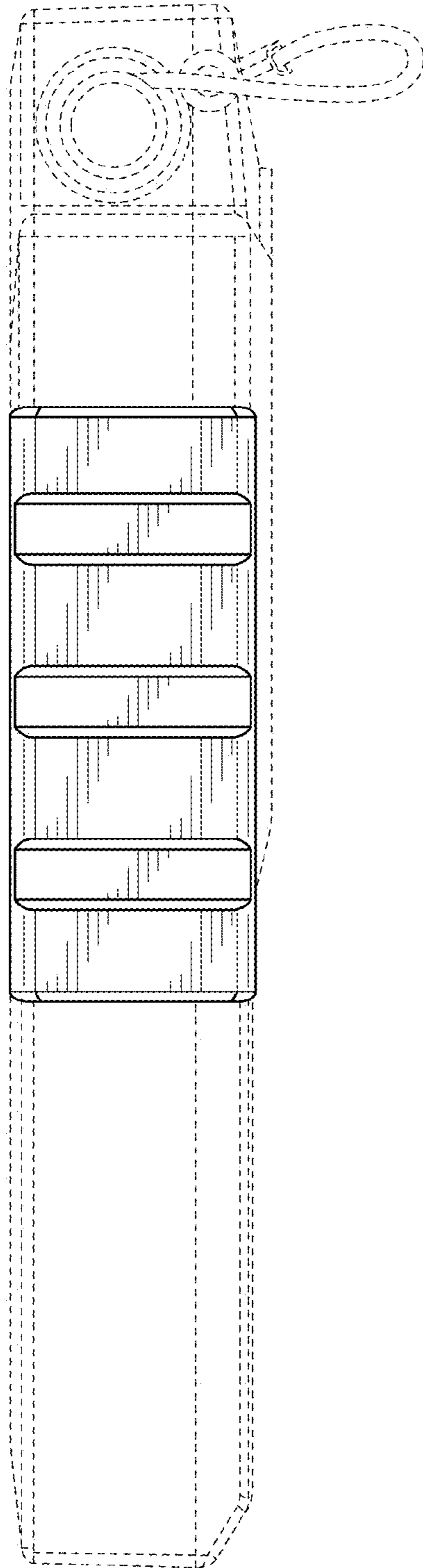


FIG. 7

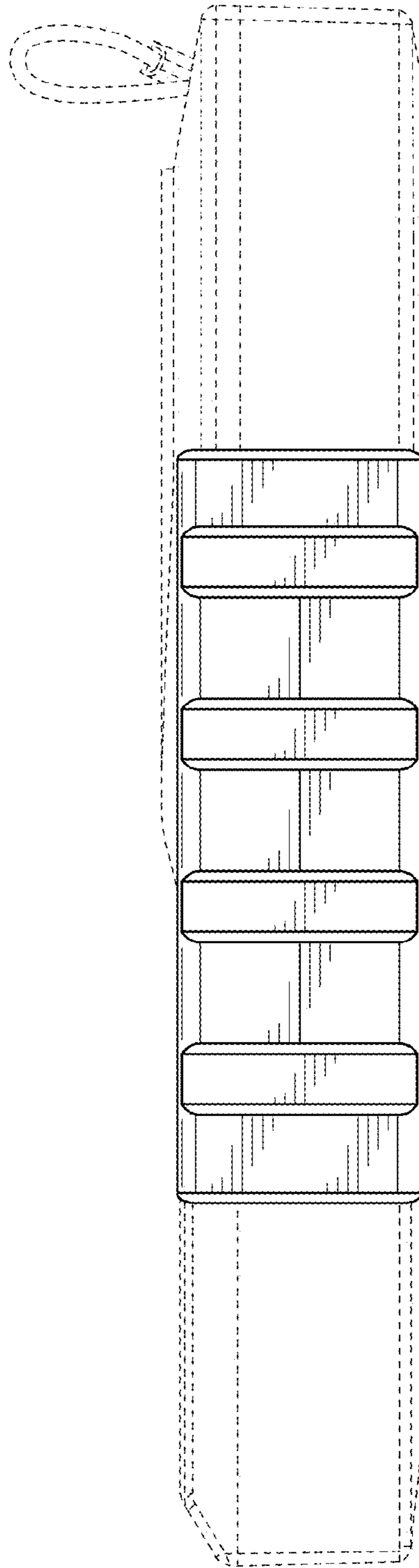


FIG. 8