



US00D765017S

(12) **United States Design Patent** (10) **Patent No.:** **US D765,017 S**
Manzari (45) **Date of Patent:** **** Aug. 30, 2016**

(54) **CENTER CONSOLE FOR AUTOMOBILE**

FOREIGN PATENT DOCUMENTS

(71) Applicant: **Nissan Motor Co., Ltd.**, Yokohama, Kanagawa (JP)

JP D1251929 S 9/2005
JP D1307322 S 8/2007

(Continued)

(72) Inventor: **Antonio Manzari**, San Diego, CA (US)

Primary Examiner — Katrina A Betton

(73) Assignee: **Nissan Motor Co., Ltd.**, Yokohama (JP)

(74) *Attorney, Agent, or Firm* — Global IP Counselors, LLP

(**) Term: **14 Years**

(57) **CLAIM**

The ornamental design for a center console for an automobile, as shown and described.

(21) Appl. No.: **29/522,555**

DESCRIPTION

(22) Filed: **Mar. 31, 2015**

FIG. 1 is a front elevational view of a center console for an automobile in accordance with my new design;

(30) **Foreign Application Priority Data**

FIG. 2 is a top plan view of the center console in accordance with my new design of FIG. 1;

Oct. 1, 2014 (JP) 2014-021896

FIG. 3 is a bottom plan view of the center console in accordance with my new design of FIGS. 1 and 2;

(51) **LOC (10) Cl.** **12-16**

FIG. 4 is a left side elevational view of the center console in accordance with my new design of FIGS. 1 to 3;

(52) **U.S. Cl.**
USPC **D12/419**

FIG. 5 is a right side elevational view of the center console in accordance with my new design of FIGS. 1 to 4;

(58) **Field of Classification Search**
USPC D12/415-426.1
CPC B64D 11/06; F16M 11/12; F16M 11/10
See application file for complete search history.

FIG. 6 is a front, right perspective view of the center console in accordance with my new design of FIGS. 1 to 5;

(56) **References Cited**

FIG. 7 is a rear, left perspective view of the center console in accordance with my new design of FIGS. 1 to 6; and,

U.S. PATENT DOCUMENTS

FIG. 8 is a back elevational view of the center console in accordance with my new design of FIGS. 1 to 7.

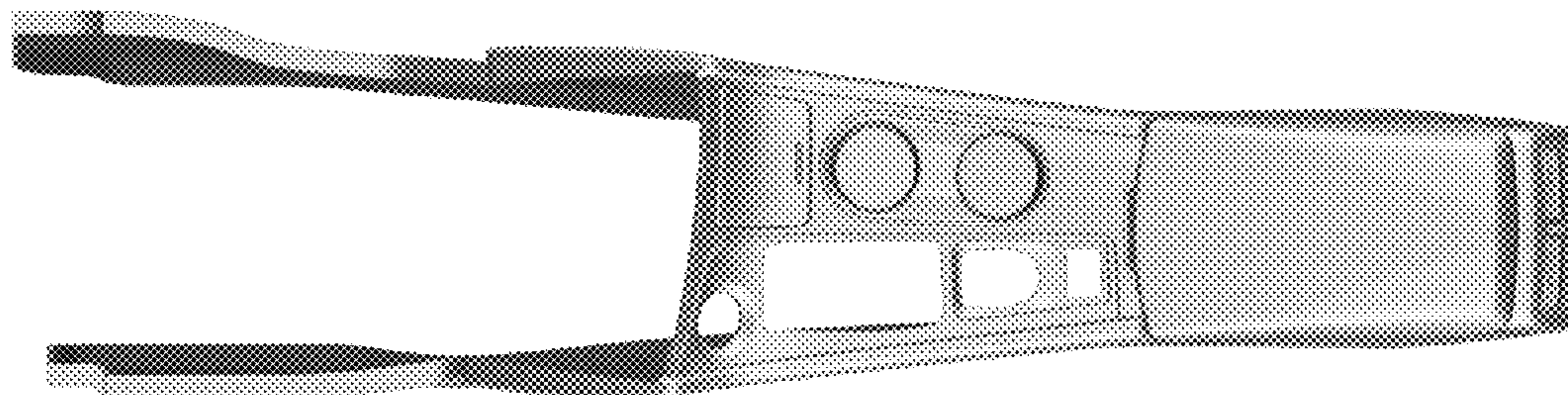
D359,266 S * 6/1995 Karp D12/419
D448,720 S * 10/2001 Nash D12/192
6,616,206 B2 * 9/2003 Luginbill B60N 2/4646
224/539
D522,957 S * 6/2006 Miyashita D12/415
D568,232 S * 5/2008 Motozaki D12/421

The inside surfaces of the center console form no part of the claimed design since the inside surfaces are hidden when the center console is mounted to an automobile.

A second embodiment of our new design is identical to the first embodiment. The second embodiment of our new design includes the mirror image of the center console shown in FIGS. 1 to 8.

(Continued)

1 Claim, 8 Drawing Sheets



(56)

References Cited

FOREIGN PATENT DOCUMENTS

U.S. PATENT DOCUMENTS						
7,980,409 B2 *	7/2011	Vasko B60R 7/04 220/326	JP	D1327140 S	4/2008
D673,496 S	1/2013	Kikuta et al.		JP	D1327141 S	4/2008
D711,810 S	8/2014	Matsuo et al.		JP	D1341442 S	10/2008
D718,218 S	11/2014	Tanaka et al.		JP	D1407229 S	2/2011
D724,521 S *	3/2015	Ashley D12/419	JP	D1420732 S	8/2011
D725,582 S	3/2015	Kobari et al.		JP	D1434236 S	2/2012
D725,583 S *	3/2015	Seki D12/419	JP	D1461202 S	2/2014
9,199,579 B2 *	12/2015	Gillis B60R 7/04	JP	D1480090 S	9/2014
				JP	D1481504 S	10/2014

* cited by examiner

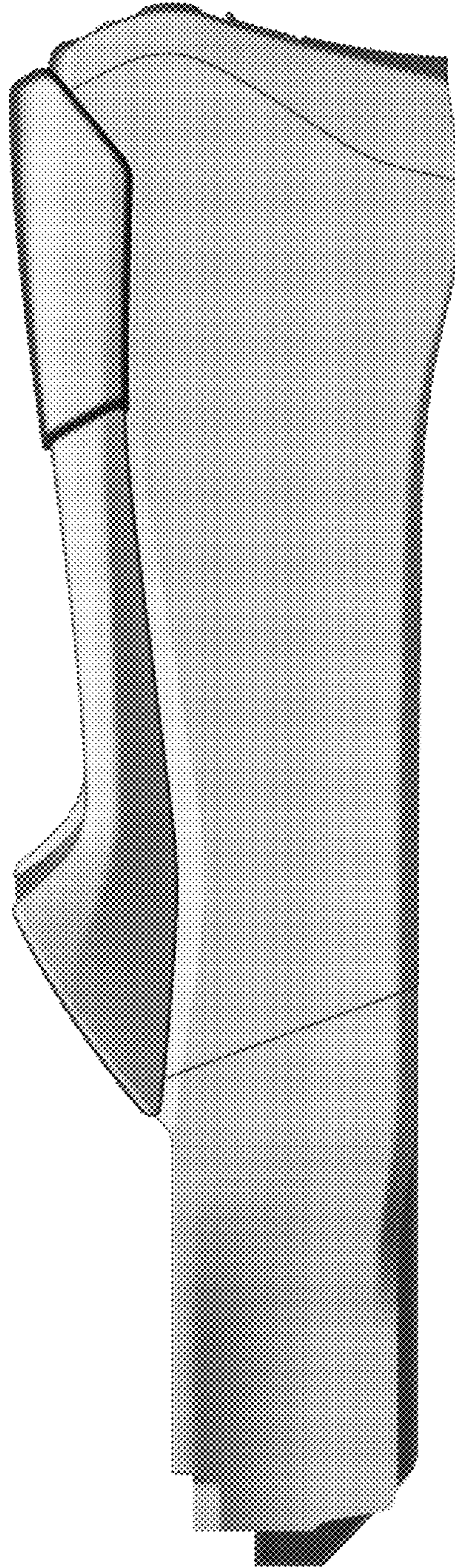


FIG. 1

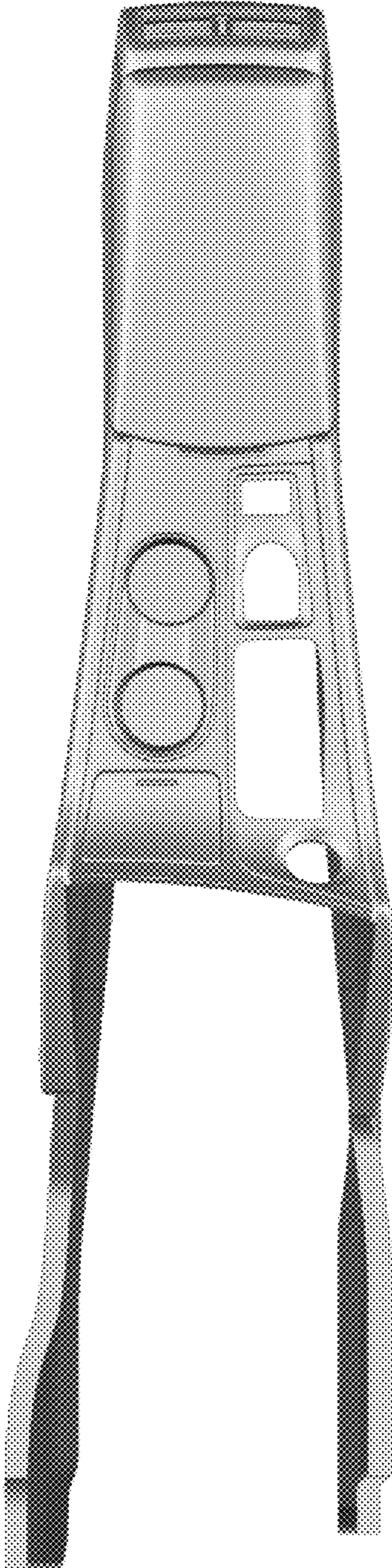


FIG. 2

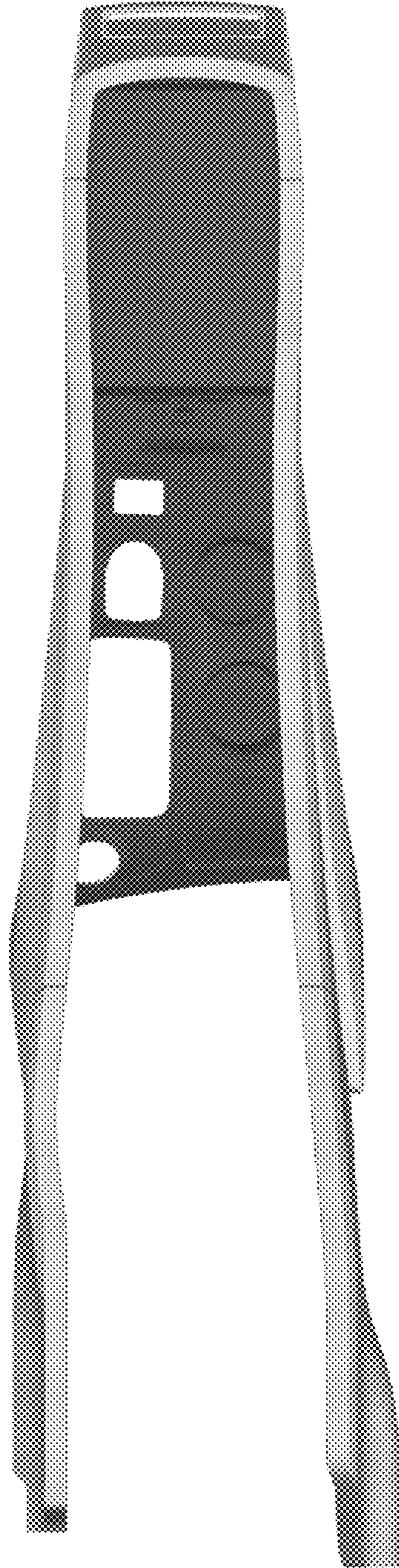


FIG. 3

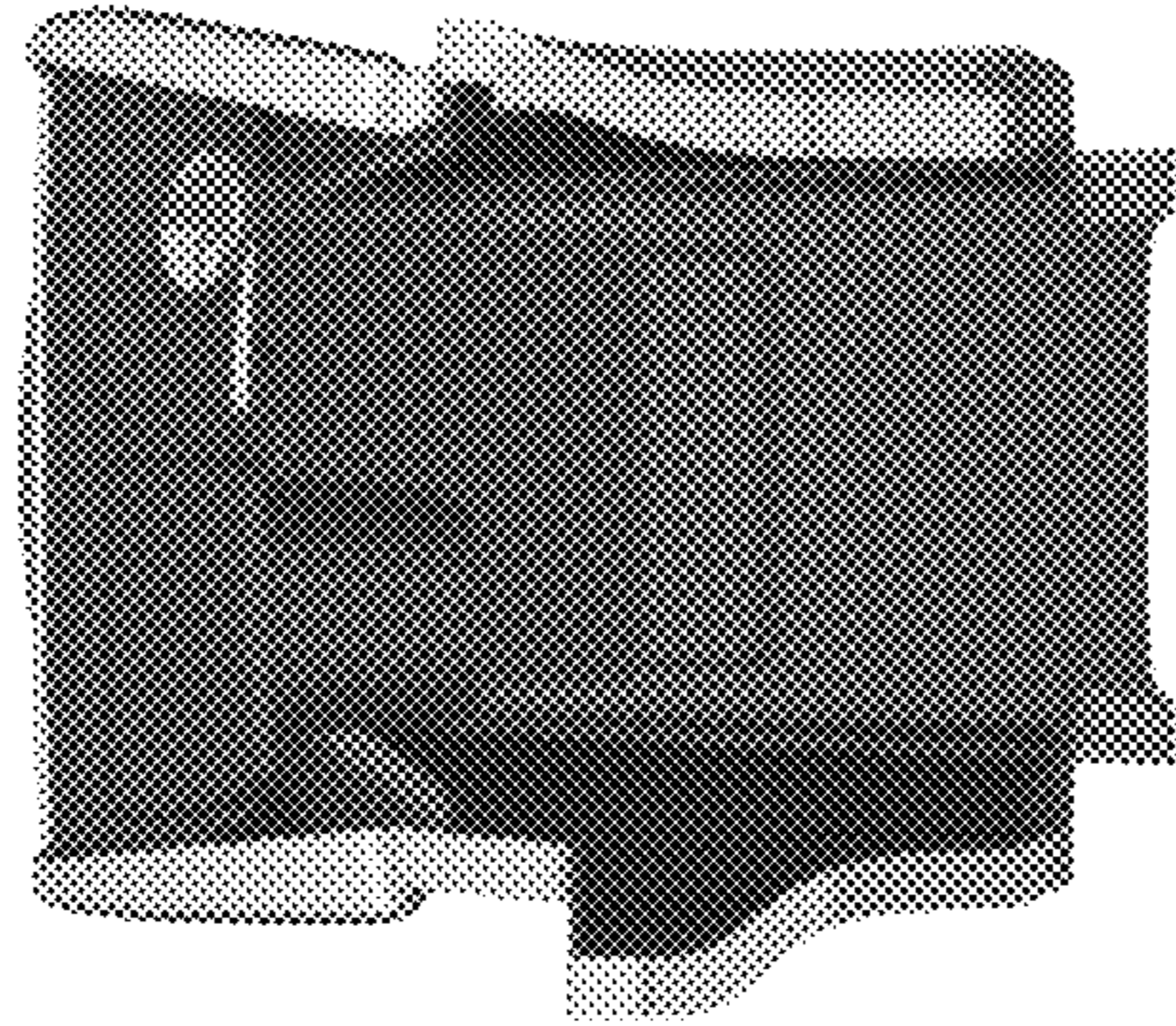


FIG. 4

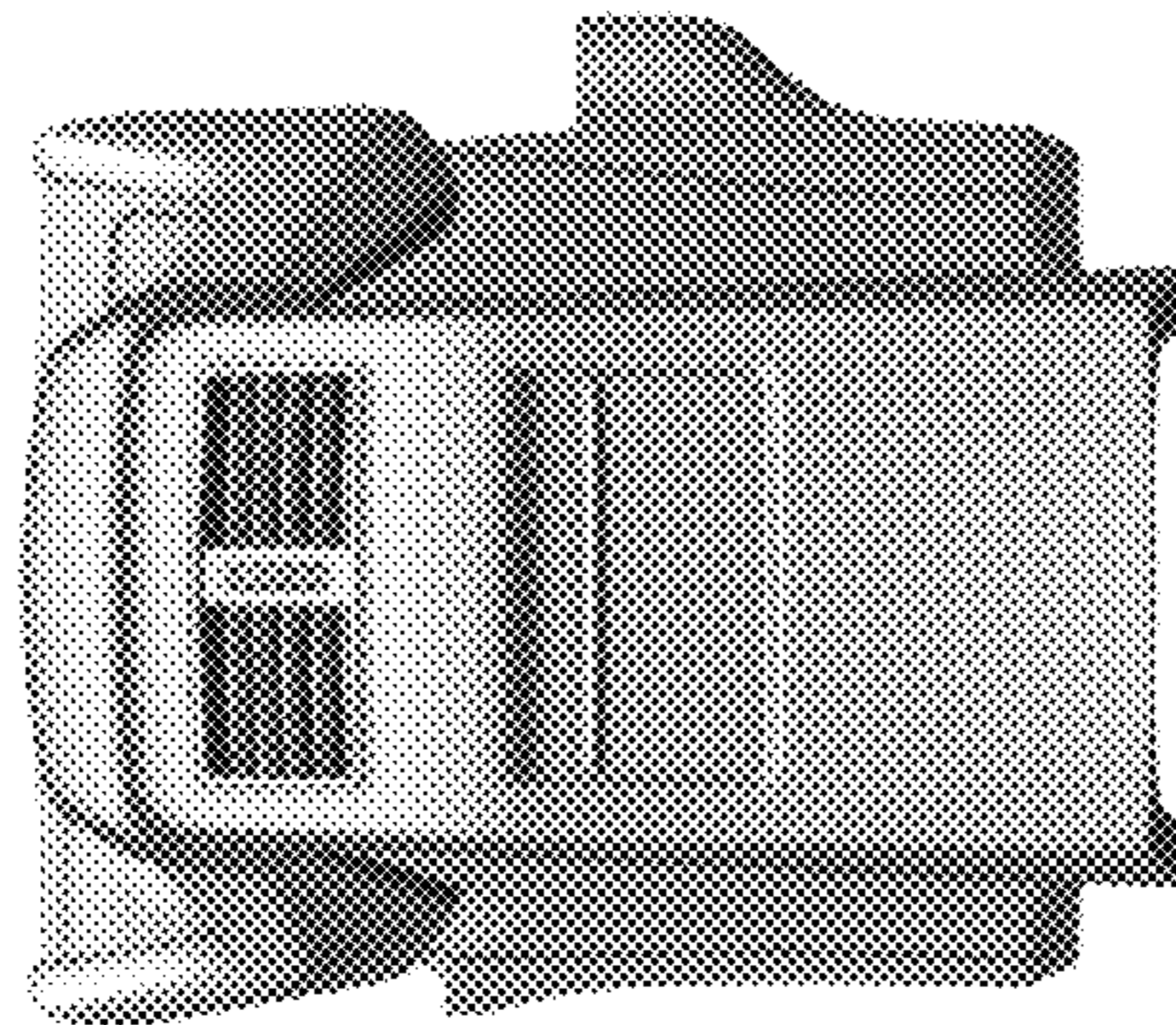


FIG. 5



FIG. 6

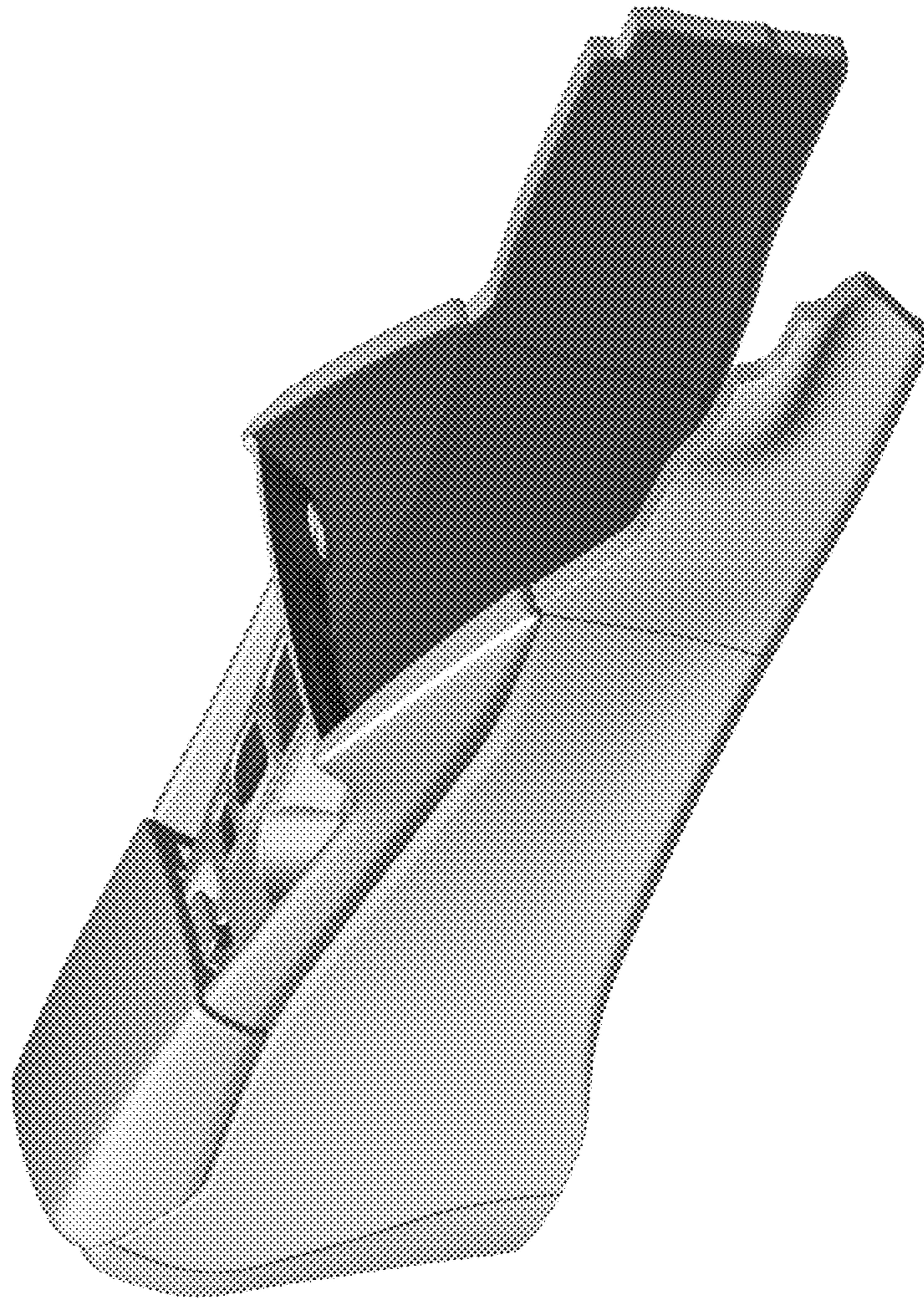


FIG. 7

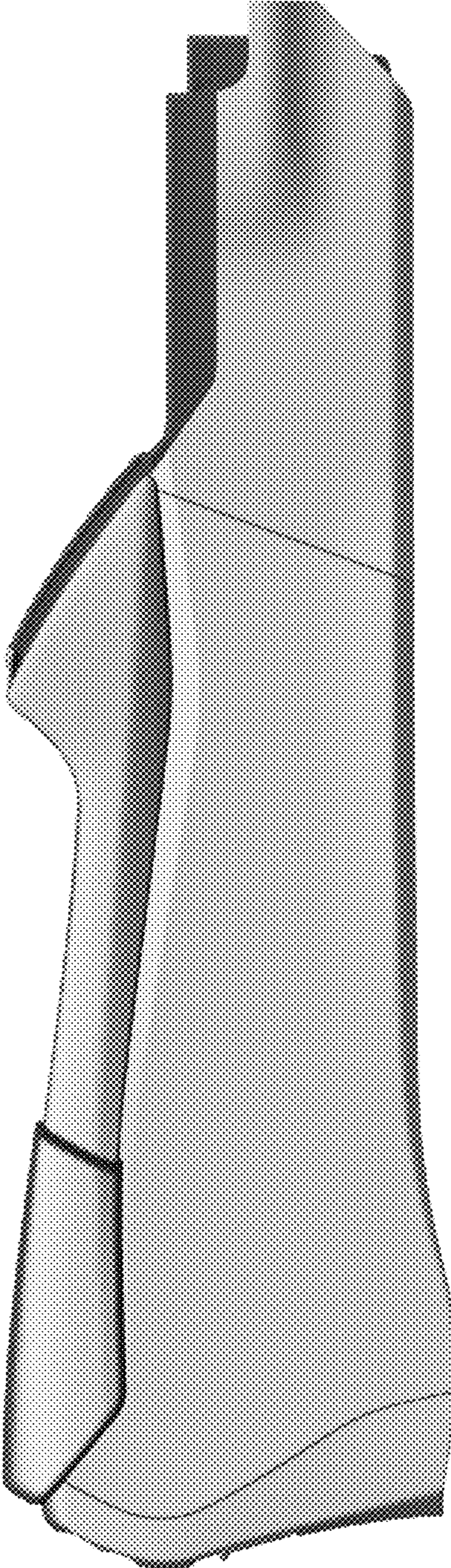


FIG. 8